

Headphone amplifier with internal LPF and EVR for CD-ROM

BH3540AFS

The BH3540AFS is an H/P amplifier with internal secondary LPF and EVR circuits. When multibit output from a D/A converter is input, the secondary LPF outputs an audio signal. Output level for headphones can be changed with the EVR circuit. This IC also has independent internal mute circuits for the left and right channels.

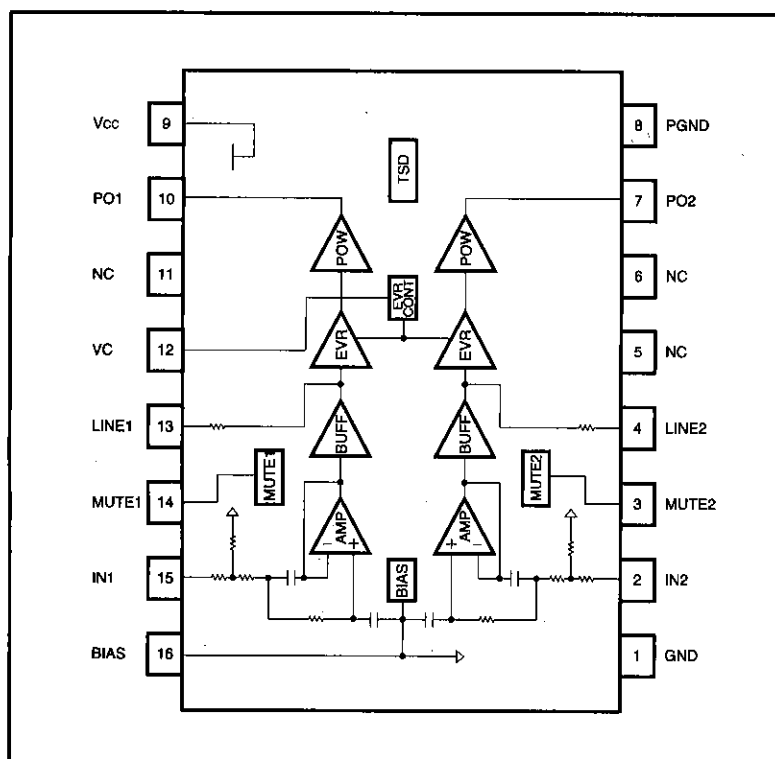
●Applications

CD-ROM drives and other products (with line and headphone output pins) that process digital audio signals

●Features

- 1) Internal LPF, line amplifier and EVR.
- 2) Internal mute function.
- 3) Internal thermal shutdown circuit.
- 4) No attached oscillation prevention components are needed, even at a load of 8Ω .
- 5) Mute function reduces the popping noises that can occur when the power is turned on and off.

●Block diagram



● Absolute maximum ratings (Ta=25°C)

Parameter	Symbol	Limits	Unit
Power supply voltage	V _{CC}	6.5	V
Power dissipation	P _d	500*	mW
Operating temperature	T _{opr}	-10~75	°C
Storage temperature	T _{stg}	-55~125	°C

* Reduced by 5.0 mW for each increase in Ta of 1°C over 25°C.

● Recommended operating conditions

Parameter	Symbol	Min.	Typ.	Max.	Unit
Power supply voltage	V _{CC}	4.5	—	5.5	V

● Electrical characteristics (unless otherwise noted, Ta=25°C, V_{CC}=5.0V, line R_{L1}=50kΩ, H/P R_{L2}=32Ω, V_{IN}=1.8dBV, f=1kHz, EVR=Max.)

Parameter	Symbol	Min.	Typ.	Max.	Unit	Conditions
Quiescent circuit current	I _Q	6	11	18	mA	V _{IN} =0V _{rms}
Mute pin threshold voltage	V _{TM}	0.3	1.0	1.6	V	MUTE1, 2
(Line output)						
Voltage gain 1	G _{VCL1}	-4.74	-3.74	-2.74	dB	
Voltage gain 2	G _{VCL2}	-5.24	-3.74	-2.74	dB	f=20kHz
Interchannel gain differential	ΔG _{VCL}	-0.5	0	0.5	dB	
Total harmonic distortion	THDL	—	0.03	0.1	%	BW=20~20kHz
Maximum output voltage	V _{OML}	0.7	0.8	0.9	V _{rms}	THD<0.1%
Output noise voltage	V _{NOL}	—	-95	-85	dBV	BW=20~20kHz, input OPEN
Channel separation	CSL	62	67	—	dB	
Mute attenuation	ATTL	60	70	—	dB	Single channel input
Ripple reduction	RRL	45	50	—	dB	f _{RR} =100Hz, V _{RR} =-20dBV
(Headphone amplifier)						
Voltage gain	G _{VCL}	-5.24	-3.74	-2.74	dB	
Interchannel gain differential	ΔG _{VC}	-0.5	0	0.5	dB	
Total harmonic distortion	THDH	—	0.06	0.1	%	BW=20~20kHz
Rated output 1	P _{O1}	14.1	20	25.3	mW	R _L =32Ω, THD<0.1%
Rated output 2	P _{O2}	28.2	40	50.6	mW	R _L =16Ω, THD<0.1%
Output noise voltage	V _{NOH}	—	-90	-85	dBV	BW=20~20kHz, input OPEN
Channel separation	CSH	60	65	—	dB	
Mute attenuation	ATTH	85	90	—	dB	Single channel input
Ripple reduction	RRH	43	50	—	dB	f _{RR} =100Hz, V _{RR} =-20dBV
EVR attenuation	ATT	70	80	—	dB	EVR=Max.~Min.

© Not designed for radiation resistance.

Headphone Amplifiers for CD-ROM

For CDs/CD-ROMs

● Measurement circuit

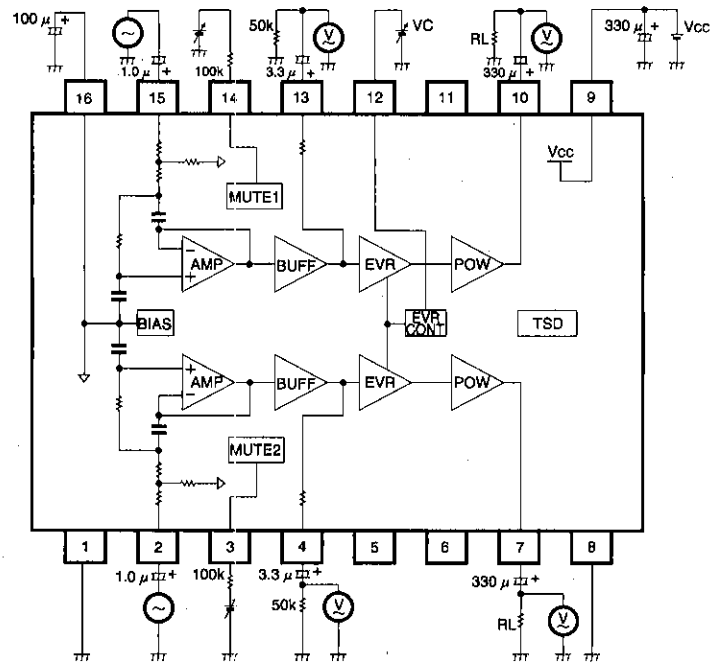


Fig. 1

● Application example

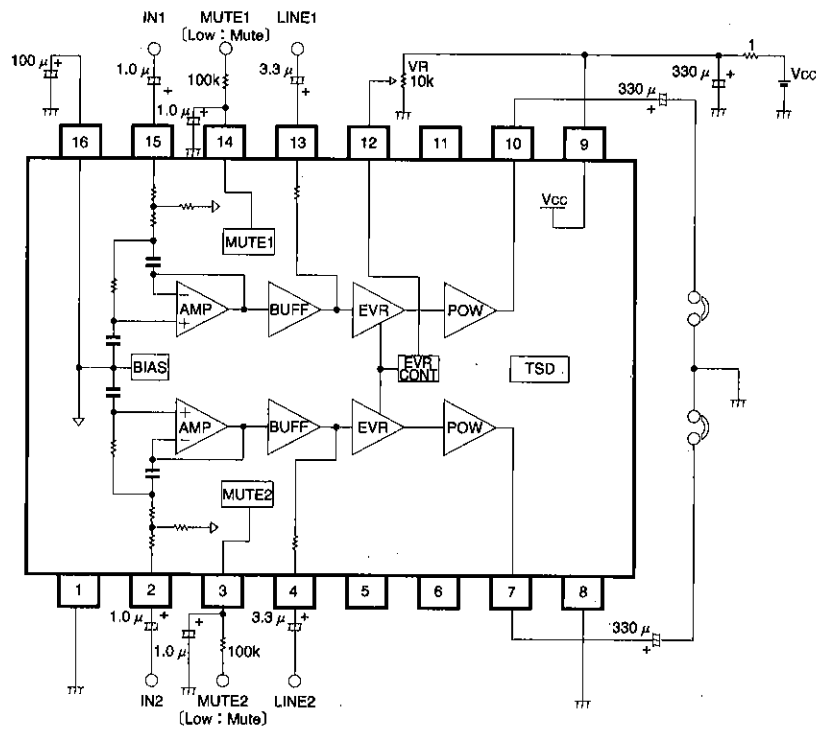


Fig. 2

Headphone Amplifiers for CD-ROM

For CDs/CD-ROMs

● Operation notes

1. Preventing popping noises

The BH3540AFS has a mute function that reduces the popping noises that can occur when the power is turned on or off. To further reduce these popping noises, attach a capacitor and resistor to the mute pin.

2. Recommended time chart

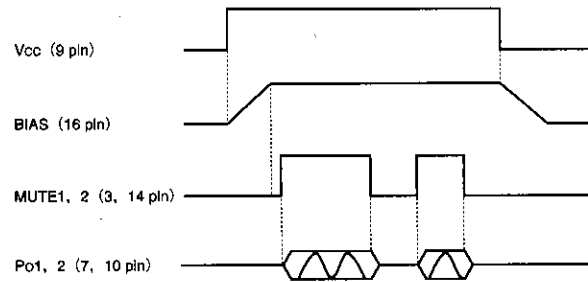


Fig. 3

● Electrical characteristic curves

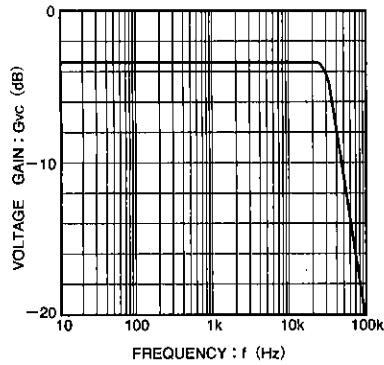


Fig. 4 Voltage gain vs. frequency

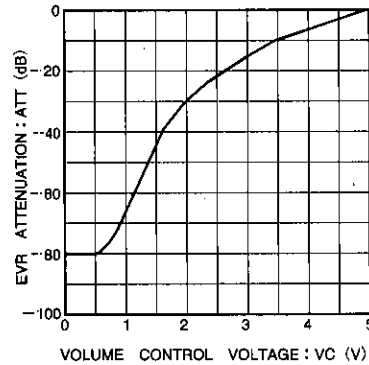
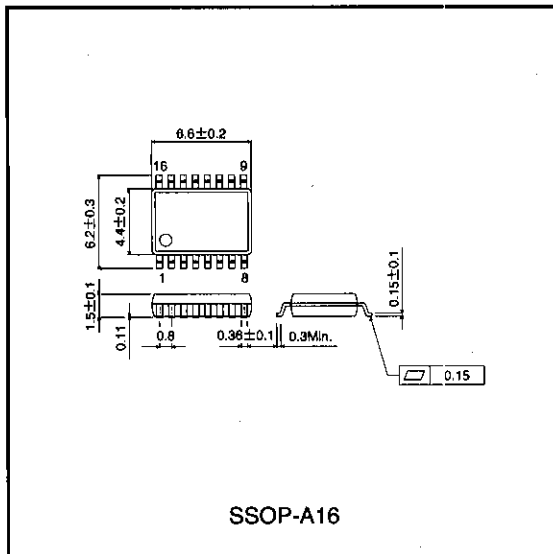


Fig. 5 EVR characteristics

● External dimensions (Units: mm)



Notes

- The contents described in this catalogue are correct as of March 1997.
- No unauthorized transmission or reproduction of this book, either in whole or in part, is permitted.
- The contents of this book are subject to change without notice. Always verify before use that the contents are the latest specifications. If, by any chance, a defect should arise in the equipment as a result of use without verification of the specifications, ROHM CO., LTD., can bear no responsibility whatsoever.
- Application circuit diagrams and circuit constants contained in this data book are shown as examples of standard use and operation. When designing for mass production, please pay careful attention to peripheral conditions.
- Any and all data, including, but not limited to application circuit diagrams, information, and various data, described in this catalogue are intended only as illustrations of such devices and not as the specifications for such devices. ROHM CO., LTD., disclaims any warranty that any use of such device shall be free from infringement of any third party's intellectual property rights or other proprietary rights, and further, assumes absolutely no liability in the event of any such infringement, or arising from or connected with or related to the use of such devices.
- Upon the sale of any such devices; other than for the buyer's right to use such devices itself, resell or otherwise dispose of the same; no express or implied right or license to practice or commercially exploit any intellectual property rights or other proprietary rights owned or controlled by ROHM CO., LTD., is granted to any such buyer.
- The products in this manual are manufactured with silicon as the main material.
- The products in this manual are not of radiation resistant design.

The products listed in this catalogue are designed to be used with ordinary electronic equipment or devices (such as audio-visual equipment, office-automation equipment, communications devices, electrical appliances, and electronic toys). Should you intend to use these products with equipment or devices which require an extremely high level of reliability and the malfunction of which would directly endanger human life (such as medical instruments, transportation equipment, aerospace machinery, nuclear-reactor controllers, fuel controllers, or other safety devices) please be sure to consult with our sales representatives in advance.

- Notes when exporting
 - It is essential to obtain export permission when exporting any of the above products when it falls under the category of strategic material (or labor) as determined by foreign exchange or foreign trade control laws.
 - Please be sure to consult with our sales representatives to ascertain whether any product is classified as a strategic material.