

Sound control IC

BH3852S / BH3852FS

The BH3852S and BH3852FS are signal processing ICs designed for volume and tone control in CD radio cassettes and other audio products. They can be used without a microcomputer because they use DC current for control.

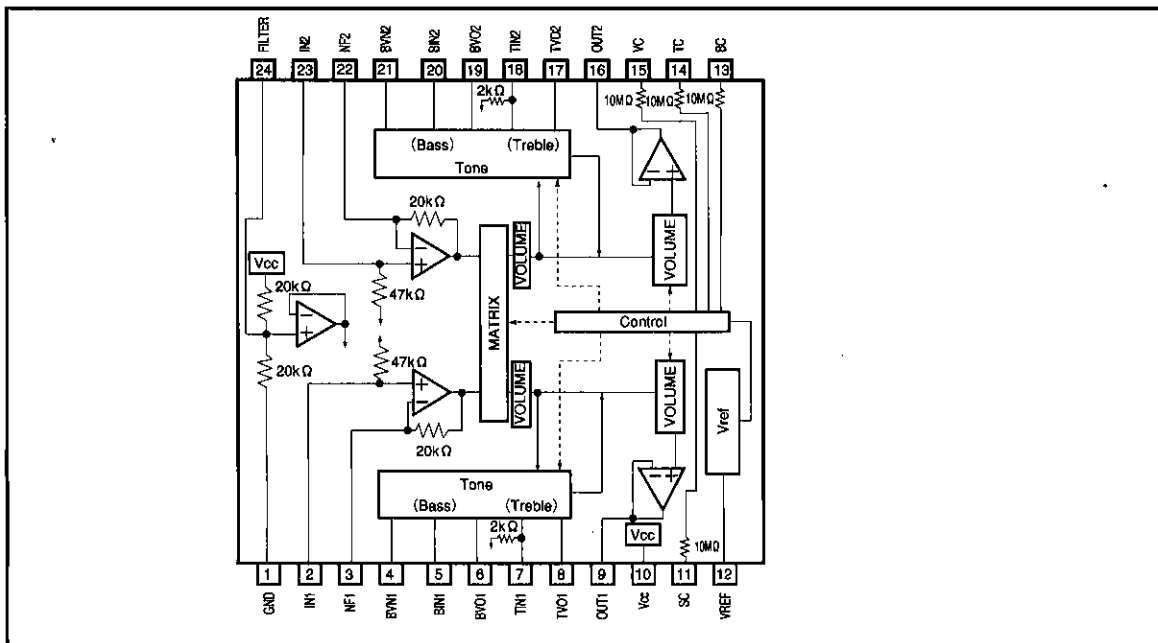
●Applications

CD radio cassettes, micro components, car stereos, televisions

●Features

- 1) Can control volume (main volume) and tone (bass, treble).
- 2) Volume is produced by a low-distortion, low-noise VCA, is controlled with DC current, and, due to an internal reference voltage with temperature compensation, can control two channels with a single variable resistor.
- 3) Input amp can be used for gain adjustment, and matrix surround yields powerful sound.

●Block diagram



● Absolute maximum ratings (Ta = 25°C)

Parameter	Symbol	Limits	Unit
Supply voltage	Vcc	10.0	V
Power dissipation	BH3852S	1050*1	mW
	BH3852FS	800*2	
Operating temperature	Topr	-40~+85	°C
Storage temperature	Tstg	-55~+125	°C

* 1 Reduced by 10.5mW for each increase in Ta of 1°C over 25°C.

* 2 Reduced by 8mW for each increase in Ta of 1°C over 25°C.

● Recommended operating conditions

Parameter	Symbol	Min.	Typ.	Max.	Unit
Supply voltage	Vcc	5.4	—	9.5	V

● Pin description

Pin No.	Pin Name	Function
1	GND	Ground
2	IN1	Ch1 volume input pin
3	NF1	Port for adjustment of input AMP gain
4	BVN1	Port for connection to ch 1 low-band filter
5	BIN1	Port for connection to ch 1 low-band filter
6	BVO1	Port for connection to ch 1 low-band filter
7	TIN1	Port for connection to ch 1 high-band filter
8	TVO1	Port for connection to ch 1 high-band filter
9	OUT1	Port for ch 1 volume output
10	Vcc	Power supply port
11	SC	Surround control pin
12	VREF	Standard voltage output pin

Pin No.	Pin Name	Function
13	BC	Bass control pin
14	TC	Treble control pin
15	VC	Volume control pin
16	OUT2	Port for ch 2 volume output
17	TVO2	Port for connection to ch 2 high-band filter
18	TIN2	Port for connection to ch 2 high-band filter
19	BVO2	Port for connection to ch 2 low-band filter
20	BIN2	Port for connection to ch 2 low-band filter
21	BVN2	Port for connection to ch 2 low-band filter
22	NF2	Port for adjustment of input AMP gain
23	IN2	Port for ch 2 volume input
24	FILTER	Filter pin

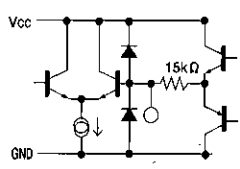
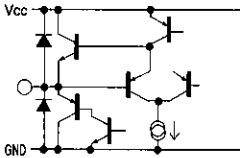
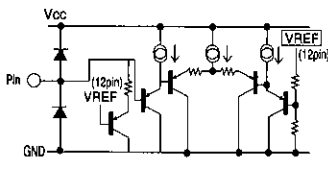
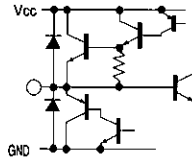
Sound control

Audio accessory components

● Input/output circuit

Symbol	Pin no.	Pin voltage	Equivalent circuit	Description
IN1 IN2	2pin 23pin	4.3V 4.3V		Main volume input pin. Designed for input impedance of 47 kΩ (Typ).
NF1 NF2	3pin 22pin	4.3V 4.3V		Pin for adjustment of input amp gain. Approximately +6 dB with connection of 20 kΩ resistance.
BVN1 BVN2	4pin 21pin	4.3V 4.3V		Pin for low band filter connection.
BIN1 BIN2	5pin 20pin	4.3V 4.3V		Pin for low band filter connection.
BV01 BV02	6pin 19pin	4.3V 4.3V		Pin for low band filter connection.
FILTER	24pin	4.0V		Filter input pin. Filter input pin designed to operate at approximately 1/2 Vcc. Please install a capacitor of about 10 μF to the filter pin. Has built-in precharge and discharge circuits.
TIN1 TIN2	7pin 18pin	4.3V 4.3V		Pin for high band filter connection.

● Input/output circuit

Symbol	Pin no.	Pin voltage	Equivalent circuit	Description
TV01 TV02	8pin 17pin	4.3V 4.3V		Pin for high band filter connection.
OUT1 OUT2	9pin 16pin	4.0V 4.0V		Main volume output pin. OUT1 is the volume output for CH1. OUT2 is the volume output for CH2.
SC BC TC VC	11pin 13pin 14pin 15pin			VC: Volume pin TC: Treble pin BC: Bass pin SC: Surround pin
VREF	12pin	3.8V		Regulator output pin. Output requires capacitor for stopping oscillation. Output pin has built-in precharge and discharge circuits, so there is no problem when turned on or off, even with a large capacitor.
VCC	10pin	8V	Power supply voltage pin.	
GND	1pin	0V	GND pin. Connected to IC board.	

Note: All figures for pin voltage assume a power supply voltage (VCC) of 8V.

Sound control

Audio accessory components

- Electrical characteristics (Unless otherwise specified, $T_a = 25^\circ\text{C}$, $V_{CC} = 8\text{V}$, $f = 1\text{kHz}$, $\text{BW} = 20 \sim 20\text{kHz}$, $\text{VOL} = \text{Max.}$, $\text{TONE} = \text{ALL FLAT}$, $R_G = 600\Omega$, $R_L = 10\text{k}\Omega$, $\text{INPUT_AMP_GAIN} = 0\text{dB}$)

Parameter	Symbol	Min.	Typ.	Max.	Unit	Conditions
Quiescent current	I_Q	8	17	25	mA	No signal
Max. input	V_{im}	1.8	2.0	—	Vrms	THD=1%, VOL=-20dB(ATT)
Max. output	V_{om}	1.8	2.0	—	Vrms	THD=1%
Voltage gain	G_V	-3.0	-1.0	1.0	dB	$V_{in} = 1\text{Vrms}$
Max. attenuation	ATT	90	110	—	dB	$V_O = 1\text{Vrms}$
Cross talk	V_{CT}	57	67	—	dB	$V_O = 1\text{Vrms}$, BPF=400Hz~30kHz
Low-band control width	V_{Bmax}	12	15	18	dB	75Hz, $V_{in} = 100\text{mVrms}$
	V_{Bmin}	-18	-15	-12	dB	75Hz, $V_{in} = 100\text{mVrms}$
High-band control width	V_{Tmax}	12	15	18	dB	10kHz, $V_{in} = 100\text{mVrms}$
	V_{Tmin}	-18	-15	-12	dB	10kHz, $V_{in} = 100\text{mVrms}$
Mute attenuation	V_{MT}	90	110	—	dB	$V_O = 1\text{Vrms}$ *
Total Harmonic distortion	THD	—	0.03	0.1	%	$V_O = 0.3\text{Vrms}$, BPF=400Hz~30kHz
Output noise voltage	V_{NO1}	—	25	35	μVrms	No signal VOL=MAX, $R_G = 0$ *
Output noise voltage during full boost	V_{NO2}	—	73	113	μVrms	No signal TONE=ALL MAX, VOL=MAX, $R_G = 0$ *
Residual output noise voltage	V_{MNO}	—	2	10	μVrms	No signal VOL=-∞, $R_G = 0$ *
Standard power supply output voltage	V_{REF}	3.54	3.84	4.41	V	$I_{REF} = 3\text{mA}$
Standard power supply output current power	I_{REF}	3.0	10	—	mA	V_{REF} voltage drop of 0.1V or less
Channel balance	G_{CB}	-2.0	0	2.0	dB	CH1 taken as the standard for measurements.
Volume attenuation (-10 dB)	ATT10	-12.6	-10.6	-8.6	dB	$V_{in} = 0\text{dBV}$, $V_C = 0.665 \times V_{REF}$
VC port discharge current	IVC	—	0.2	0.4	μA	Pin 15 discharge current
TC port discharge current	ITC	—	0.2	0.4	μA	Pin 14th discharge current
BC port discharge current	IBC	—	0.2	0.4	μA	Pin 13th discharge current
SC port discharge current	ISC	—	0.2	0.4	μA	Pin 11th discharge current

* Items marked with an asterisk (*) were measured with the VP-9690A (displays mean detection and effective value), produced by Matsushita Communication Industrial.

©Not designed for radiation resistance.

● Measurement circuit

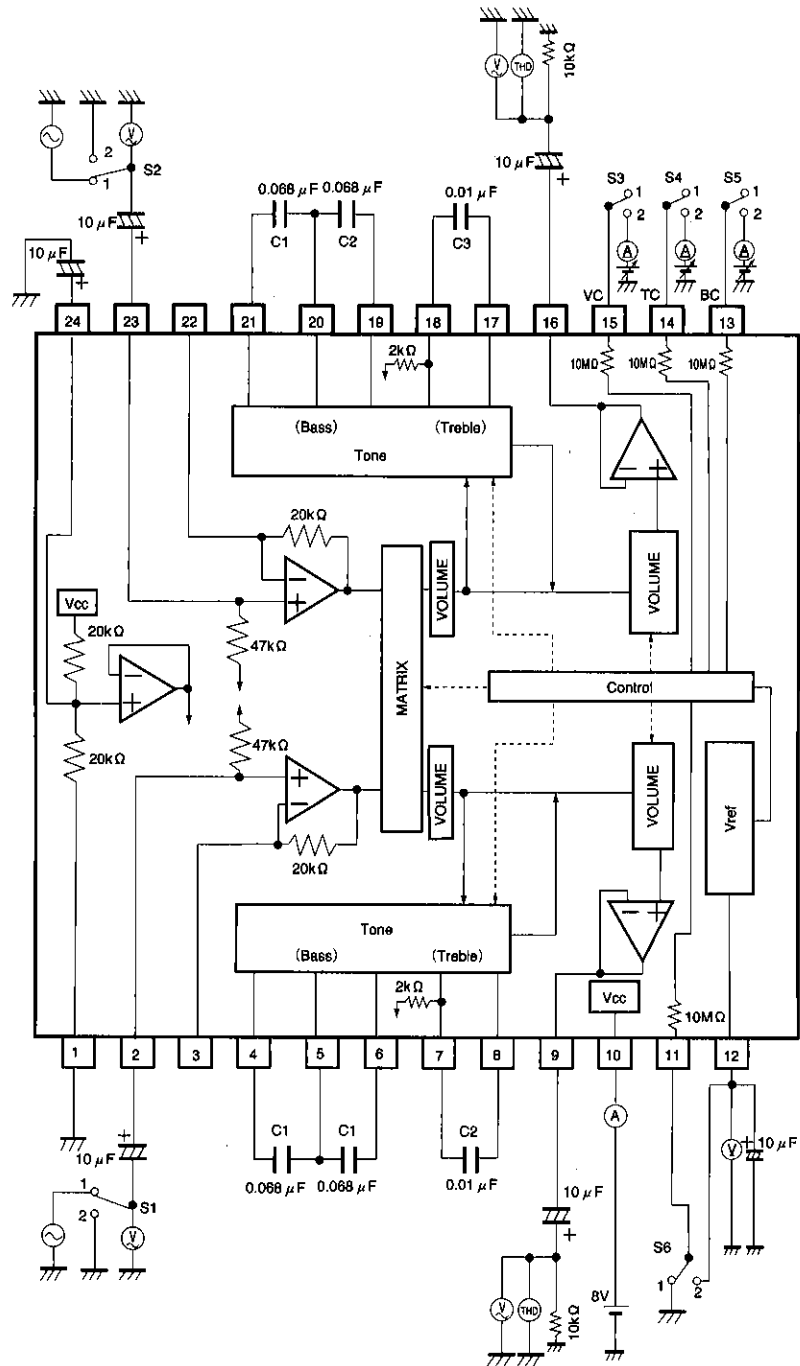


Fig. 1

Audio accessory components

Sound control

● Application example

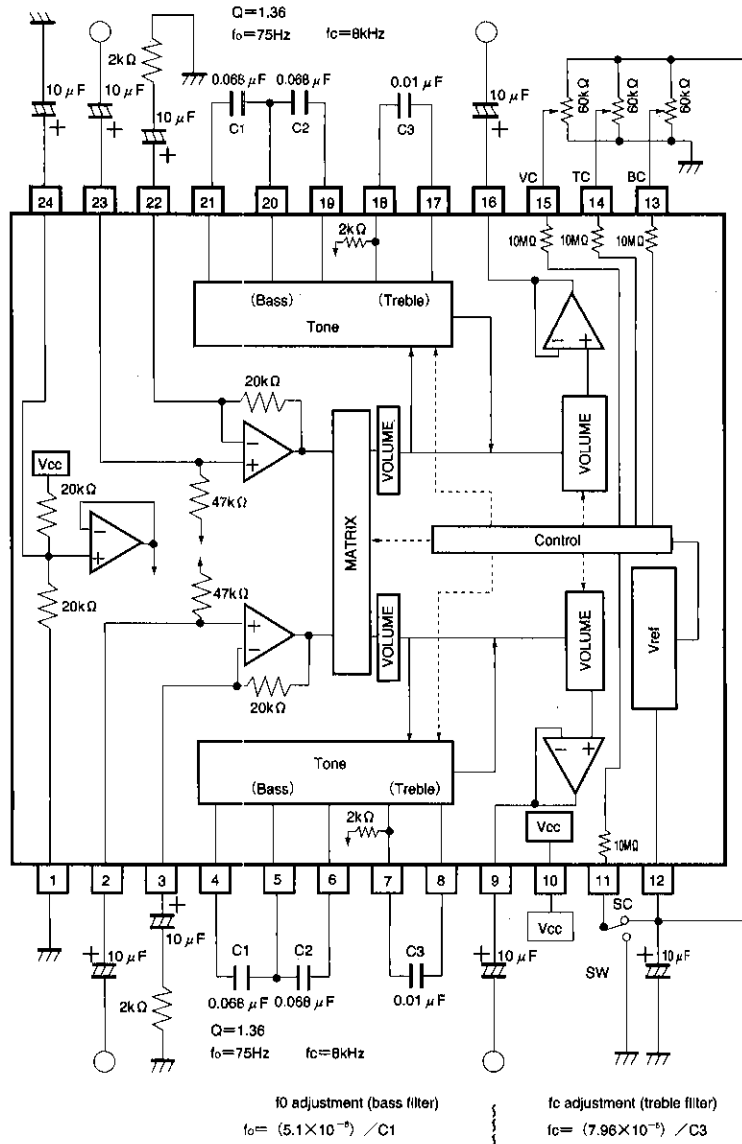


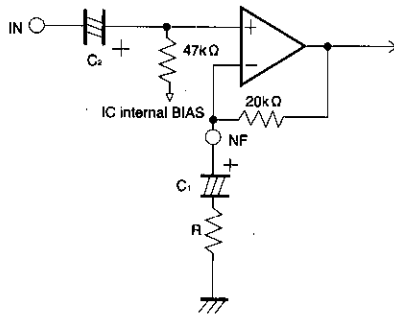
Fig. 2

● Operation notes

1. Operating power supply voltage range

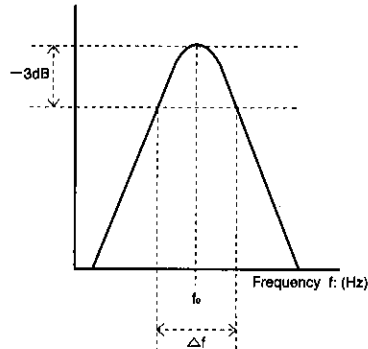
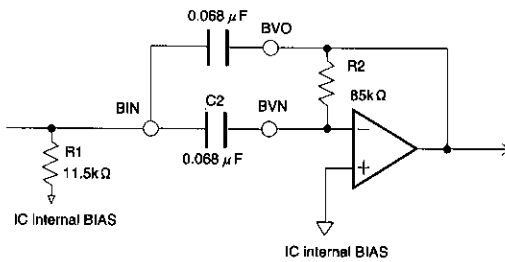
As long as the operating power supply voltage and ambient temperature are kept within the specified range, the basic circuits are guaranteed to function, but be sure to check the constants as well as the element settings, voltage settings, and temperature settings. Also, volume curves sometimes depart from target values when there is a combination of low temperature and reduced power.

2. Primary amp



- The input impedance is 47kΩ.
 - A buffer if R and C₁ are not present.
 - The gain can be set by R and the 20kΩ.
 $G_{VC} = (R + 20k\Omega) / R$
- Note: Set C₂ (input coupling) and C₁ (used to set the gain) depending on the frequency band used.

3. Bass filter



- The BPF is composed of a multi-feedback active filter.
- f₀ can be varied according to the value of C.
- (theoretical equation)

$$f_0 = \frac{1}{2\pi} \times \left(\frac{1}{R_1 R_2 C_1 C_2} \right)^{\frac{1}{2}}$$

$$Q = \left[\left(\frac{R_1}{R_2 C_1 C_2} \right)^{\frac{1}{2}} \times (C_1 + C_2) \right]^{-1}$$

$$G = \frac{R_2}{5k\Omega} \times \left(1 + \frac{C_1}{C_2} \right)^{-1}$$

Note: Filter gain is calculated using the equation on the left. Total output gain is the sum of the gain for each of the internal circuits.

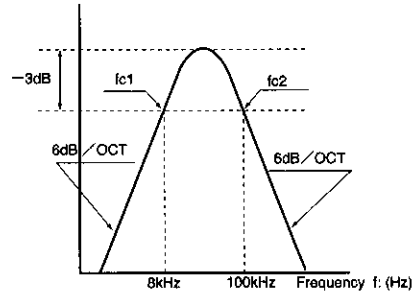
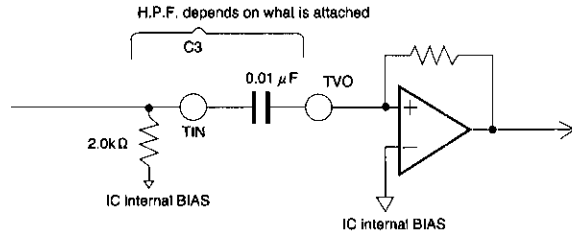
(When R₁=11.5kΩ, R₂=85kΩ, C₁=C₂=C)

$$f_0 = \frac{5.1 \times 10^{-6}}{C} \quad Q = 1.36 \quad G = 8.5$$

Sound control

Audio accessory components

4. Treble filter



- Cutoff frequency (fc1) for the bypass filter can be changed using the attached C3.

$$f_{c1} = \frac{1}{2\pi \times C_3 \times 2k\Omega}$$

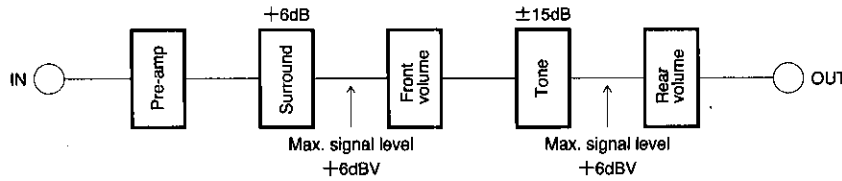
The fc1 for the recommended constant is approximately 8 kHz.

- fc2 is determined by the band of the built-in amp. fc2 is approximately 100 kHz.

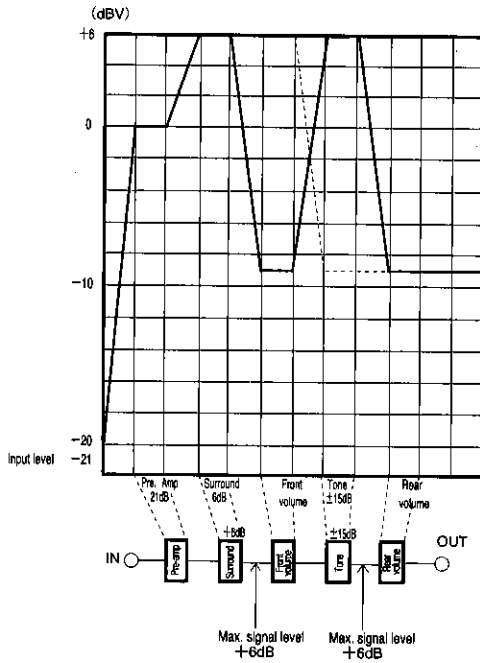
Tone control is designed to yield a variation of ±15dB (Typ.) when the frequency to be boosted or cut is at the peak or bottom of the filter frequency characteristic, so please take the frequency characteristic into consideration in designing the filter.

5. Signal level setting

The following figure represents the standard setting for the BH3852FS.

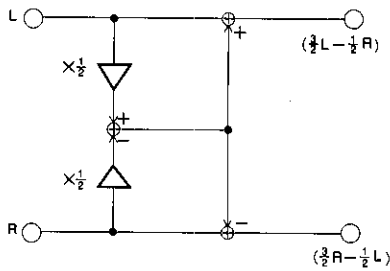


★As indicated above, if the front volume and rear volume input level are set so as not to exceed +6dBV (2Vrms), the pre-amp gain setting can be used to improve the S/N ratio.



The figure on the left is a level diagram.
 Solid line: Input level during tone boost
 Dotted line: Input level during tone cut

6. Matrix surround



© The structure of the matrix surround is as shown in the figure above. Use the equations shown in the figure to calculate gain.

In-phase gain	0dB
Negative-phase gain	3.5dB

(Negative-phase gain only occurs when input is carried out at a single Ch.)

7. DC control

It is recommended that DC control of the VC, TC, BC, and SC pins be performed by voltage delivered in variable volume from the VREF pin (12th pin). When using variable volume, take the discharge current of each pin into account in determining its settings.

Note: The voltage range for DC control is 0 (V) to $V_{REF}(V)$. Be sure not to apply voltage greater than $V_{REF}(V)$ to any pin.

8. GND

If several capacitors with good high-frequency characteristics are connected in parallel to the 12th-pin capacitor, the characteristics will be improved with respect to static electricity noise. (Recommended : ceramic capacitors of $0.001 \mu F$ to $0.1 \mu F$)

Sound control

Audio accessory components

●Electrical characteristic curves

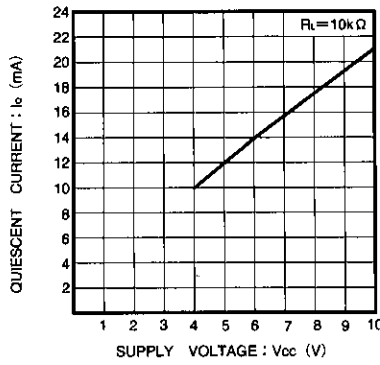


Fig. 3 Quiescent curve vs. supply voltage characteristics

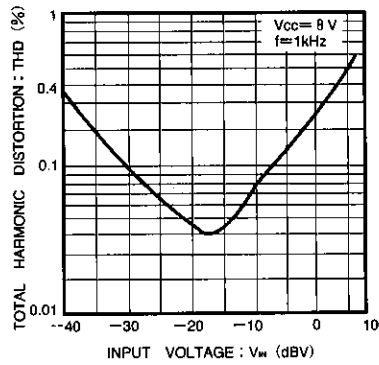


Fig.4 Harmonic distortion vs. Input voltage characteristics

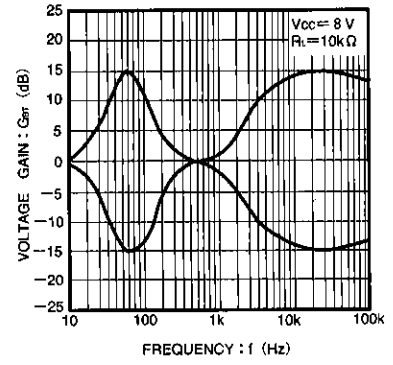
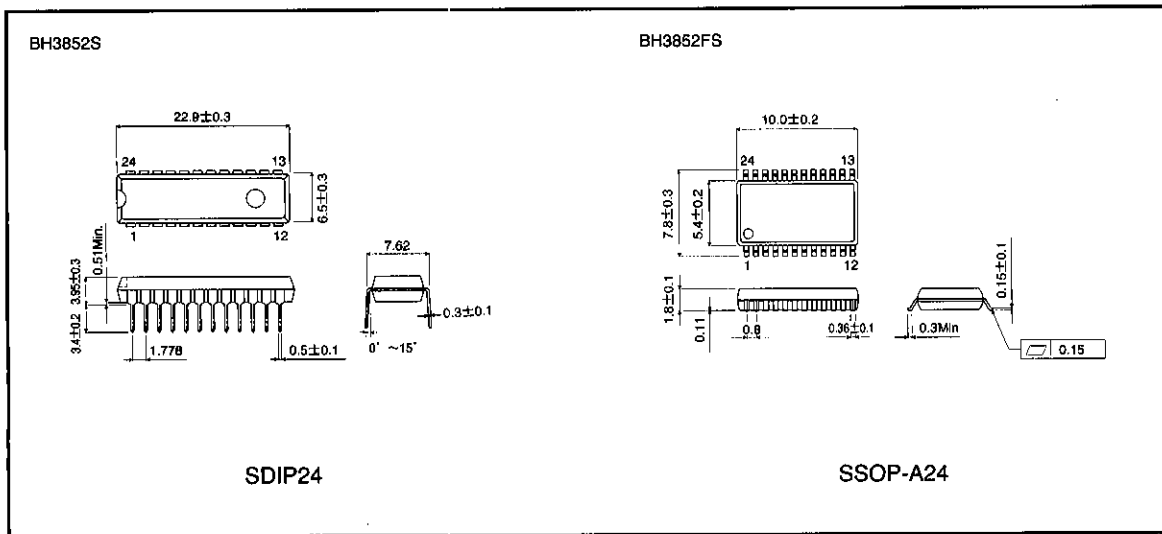


Fig. 5 Output gain vs. Frequency

●External dimensions (Unit: mm)



Notes

- The contents described in this catalogue are correct as of March 1997.
- No unauthorized transmission or reproduction of this book, either in whole or in part, is permitted.
- The contents of this book are subject to change without notice. Always verify before use that the contents are the latest specifications. If, by any chance, a defect should arise in the equipment as a result of use without verification of the specifications, ROHM CO., LTD., can bear no responsibility whatsoever.
- Application circuit diagrams and circuit constants contained in this data book are shown as examples of standard use and operation. When designing for mass production, please pay careful attention to peripheral conditions.
- Any and all data, including, but not limited to application circuit diagrams, information, and various data, described in this catalogue are intended only as illustrations of such devices and not as the specifications for such devices. ROHM CO., LTD., disclaims any warranty that any use of such device shall be free from infringement of any third party's intellectual property rights or other proprietary rights, and further, assumes absolutely no liability in the event of any such infringement, or arising from or connected with or related to the use of such devices.
- Upon the sale of any such devices; other than for the buyer's right to use such devices itself, resell or otherwise dispose of the same; no express or implied right or license to practice or commercially exploit any intellectual property rights or other proprietary rights owned or controlled by ROHM CO., LTD., is granted to any such buyer.
- The products in this manual are manufactured with silicon as the main material.
- The products in this manual are not of radiation resistant design.

The products listed in this catalogue are designed to be used with ordinary electronic equipment or devices (such as audio-visual equipment, office-automation equipment, communications devices, electrical appliances, and electronic toys). Should you intend to use these products with equipment or devices which require an extremely high level of reliability and the malfunction of which would directly endanger human life (such as medical instruments, transportation equipment, aerospace machinery, nuclear-reactor controllers, fuel controllers, or other safety devices) please be sure to consult with our sales representatives in advance.

- Notes when exporting
 - It is essential to obtain export permission when exporting any of the above products when it falls under the category of strategic material (or labor) as determined by foreign exchange or foreign trade control laws.
 - Please be sure to consult with our sales representatives to ascertain whether any product is classified as a strategic material.