

Power unit IC for pagers

BH6111FV

The BH6111FV is a power unit IC with a driver for VFM switching regulator controllers and vibrators, LEDs, speakers, and LCD backlights. It has internal sensors to detect the reset voltage and battery ejection.

●Applications

Pagers

●Features

- 1) Internal VFM-type CMOS switching regulator and drivers for 6 channels.
- 2) Equipped with a reset voltage sensor and battery ejection sensor.

●Absolute maximum ratings (Ta=25°C)

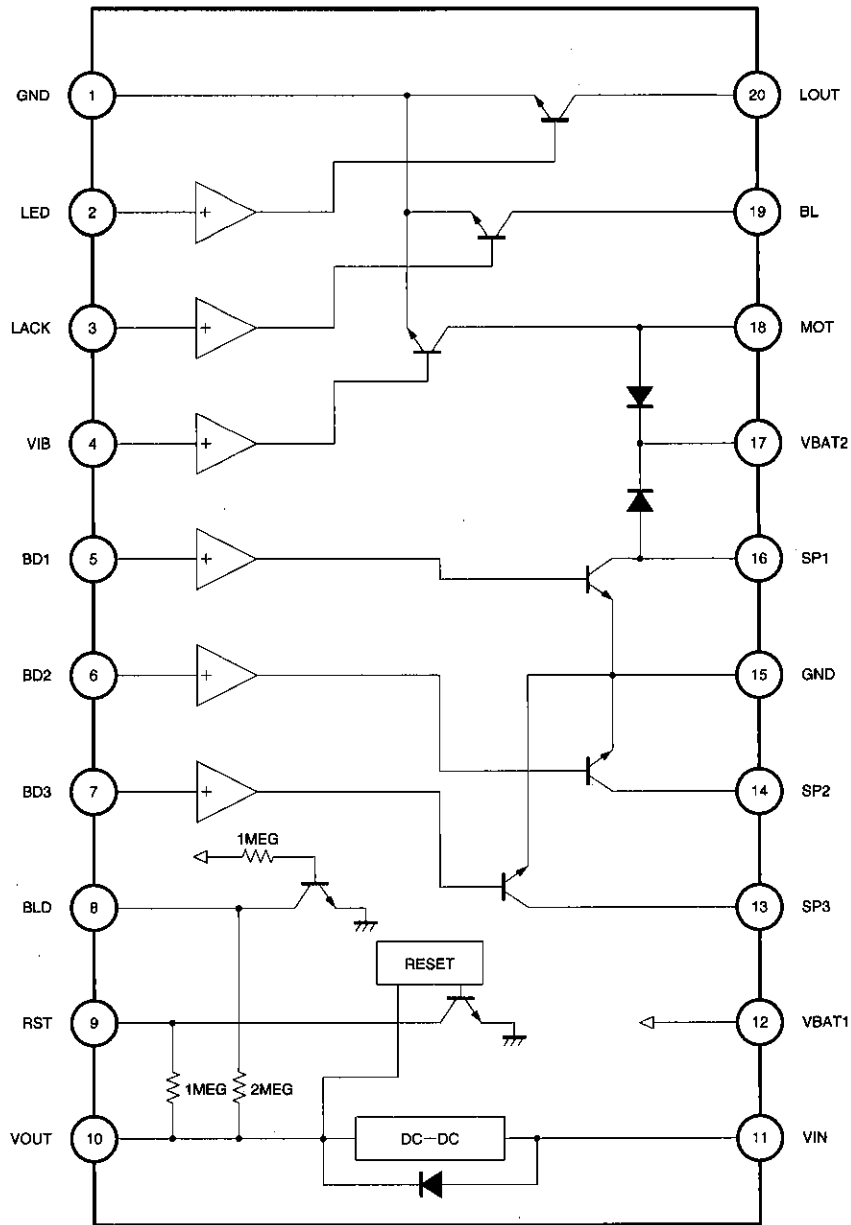
Parameter	Symbol	Limits	Unit
Power supply voltage	V _{CC}	-0.3~+6.0	V
Driver output applied voltage	V _{Max.}	-0.3~+7.0	V
Power dissipation	P _d	※400	mW
Maximum driver output current (1)	I _{OM1}	500	mA
Maximum driver output current (2)	I _{OM2}	400	mA
Maximum driver output current (3)	I _{OM3}	300	mA
Operating temperature	T _{opr}	-15~+60	°C
Storage temperature	T _{stg}	-55~+125	°C

※ Reduced by 4 mW for each increase in Ta of 1°C over 25°C.

●Recommended operating range


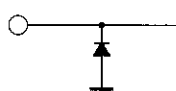
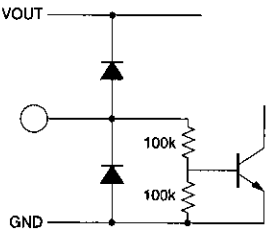
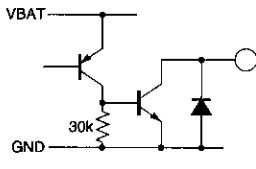
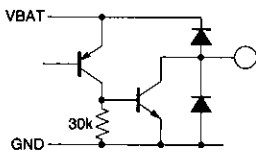
Parameter	Symbol	Limits	Unit
Power supply voltage	V _{CC}	0.9~2.5	V
Driver unit operation frequency	f _{drv}	DC~100	kHz

●Block diagram



Cellular phones / PHS / Pagers Power ICs for pagers

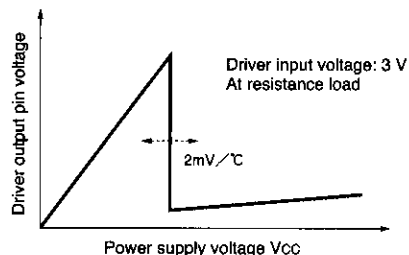
● Pin descriptions

Pin No.	Pin Name	I/O	Pin Voltage	Internal Equivalent Circuit	Function
1	GND 2	I	GND		Grounding pin
15	GND 1	I			
12	VBAT 1	I	VBAT		Battery pin
17	VBAT 2	I			
2	LED	I	0V		Driver input pin * 1 * 2 * 3
3	LACK	I			
4	VIB	I			
5	BD 1	I			
6	BD 2	I			
7	BD 3	I			
13	SP 3	O	—		Driver output pin
14	SP 2	O			
19	BL	O			
20	LOUT	O			
16	SP 1	O	—		Driver output pin (internal Di for surge absorption)
18	MOT	O			

* 1 Driver unit input current (3 V system)
LED, LACK, VIB, BD1, BD2, BD3: 27 μ A

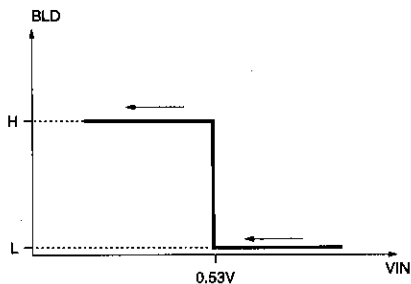
* 3 Driver unit temperature characteristic
(Low level hold boundary voltage)

* 2 Driver unit current consumption (1.5 V system)
LED, LACK, SP2, SP3: 4.1 mA
SP1 : 4.7 mA
VIB : 5.6 mA

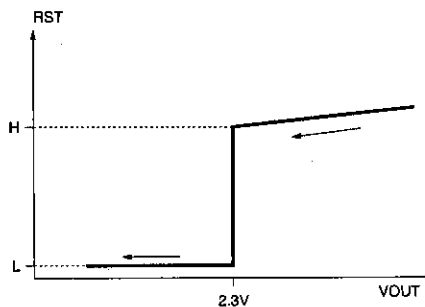


Pin No.	Pin Name	I/O	Pin Voltage	Internal Equivalent Circuit	Function
8	BLD	O	—		Battery ejection voltage detection pin *4 (When battery is removed: HIGH) Current consumption 1.5 V system: 0.9 μ A 3 V system : 1.5 μ A
9	RST	O	—		CPU reset voltage detection pin *5 (When output power is reduced: LOW) Current consumption 3 V system: 1.8 μ A
10	VOUT	O	3V		DC/DC converter output pin
11	VIN	I	—		DC/DC converter switching pin (internal Di for rectification)

*4 Operation theory for battery ejection circuit



*5 Operation theory for CPU reset circuit



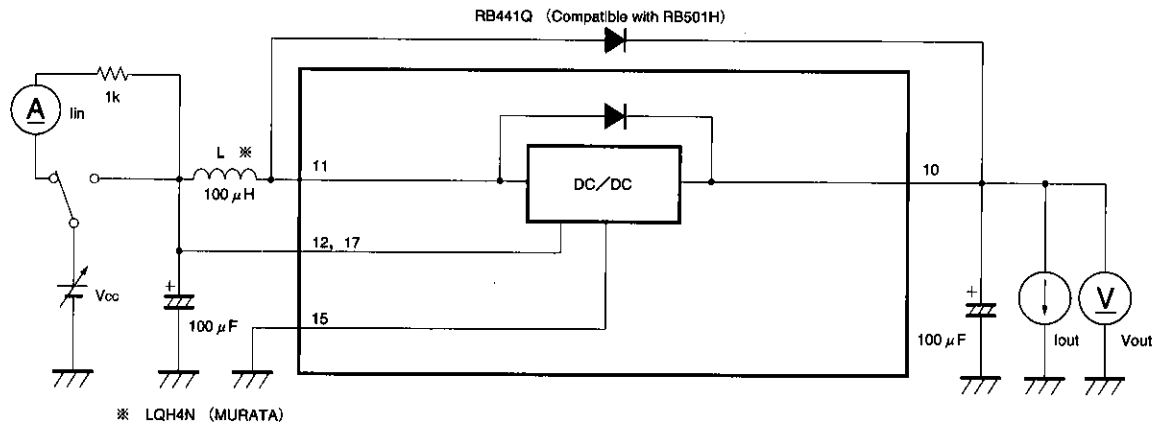
Power ICs for pagers

Cellular phones/PHS/Pagers

●Electrical characteristics (Unless otherwise noted, Ta=25°C, V_{DD}=1.5V)

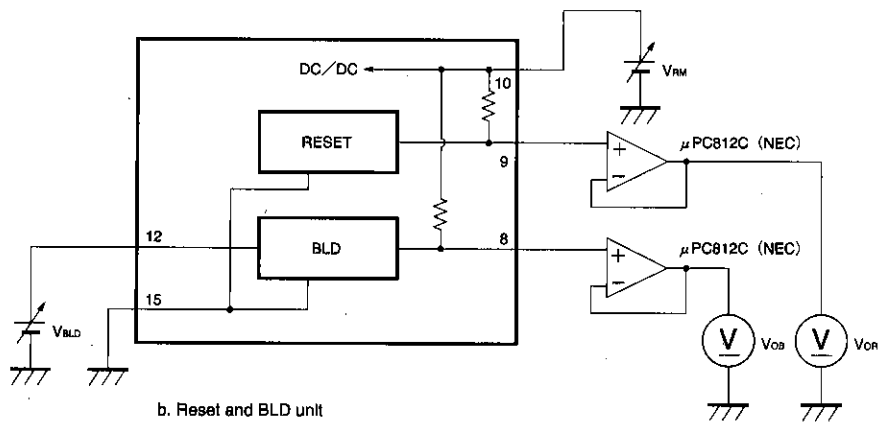
Parameter	Symbol	Min.	Typ.	Max.	Unit	Conditions	Measurement Circuit
Overall circuit							
Quiescent Current	I _{in}	—	34	60	μA	With no load on DC-DC converter	Fig.1
DC-DC converter unit							
Output voltage	V _{out}	2.85	3.00	3.08	V	I _{out} =1.0mA	Fig.1
Operation initiation power supply voltage	V _{sr}	—	0.85	0.9	V	I _{out} =1.0mA, V _{cc} ; 0V→2V	Fig.1
Operation sustain power supply voltage	V _{hc}	—	0.50	0.7	V	I _{out} =1.0mA, V _{cc} ; 2V→0V	Fig.1
Input voltage stability	ΔV _{o1}	—	20	100	mV	I _{out} =1.0mA, V _{cc} =0.9~2.5V	Fig.1
Load regulation	ΔV _{o2}	—	20	100	mV	I _{out} =0.1~5.0mA	Fig.1
Oscillation duty ratio	D _{fmax}	—	70	—	%		Fig.1
Oscillation frequency	f _{osc}	80	100	120	kHz		Fig.1
Efficiency	η	70	80	—	%	I _{out} =3.0mA	Fig.1
CPU reset circuit / battery ejection circuit unit							
Reset detection voltage	VRM	2.1	2.3	2.5	V		Fig.1
BLD detection voltage	VBLD	0.48	0.53	0.58	V	V _{cc} value when V8 pin is 1.5 V	Fig.1
"H" output voltage	VOH	2.7	3.0	—	V		Fig.1
"L" output voltage	VOL	—	0.1	0.4	V		Fig.1
Vibrator control unit							
Maximum output drive current	I _{om1}	300	—	—	mA	V _{SAT} ≤0.5V	Fig.1
Saturation voltage	V _{sat1}	—	0.2	0.3	V	I _{out} =195mA	Fig.1
Leakage current when off	IL1	—	0.0	5.0	μA	V _{out} =5V	Fig.1
Input threshold level	V _{th1}	1.0	1.4	1.8	V		Fig.1
Input current	I _{in1}	15	27	35	μA	V _{in} =3.0V	Fig.1
Speaker control unit 1							
Maximum output drive current	I _{om2}	200	—	—	mA	V _{SAT} ≤0.5V	Fig.1
Saturation voltage	V _{sat2}	—	0.1	0.2	V	I _{out} =90mA	Fig.1
Leakage current when off	IL2	—	0.0	5.0	μA	V _{out} =5V	Fig.1
Input threshold level	V _{th2}	1.0	1.4	1.8	V		Fig.1
Input current	I _{in2}	15	27	35	μA	V _{in} =3.0V	Fig.1
Speaker control units 2 and 3, LED control unit, LCD backlight control unit							
Maximum output drive current	I _{om3}	100	—	—	mA	V _{SAT} ≤0.5V	Fig.1
Saturation voltage	V _{sat3}	—	0.1	0.2	V	I _{out} =45mA	Fig.1
Leakage current when off	IL3	—	0.0	5.0	μA	V _{out} =5V	Fig.1
Input threshold level	V _{th3}	1.0	1.4	1.8	V		Fig.1
Input current	I _{in3}	15	27	35	μA	V _{in} =3.0V	Fig.1

● Measurement circuits

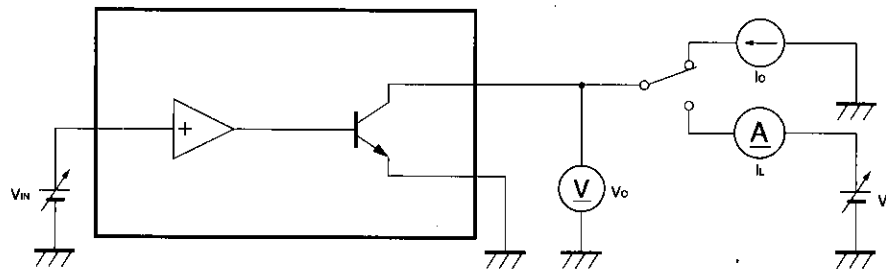


※ LQH4N (MURATA)

a. DC-DC converter unit



b. Reset and BLD unit



c. Driver unit

Fig. 1 Measurement circuits

● Application circuit

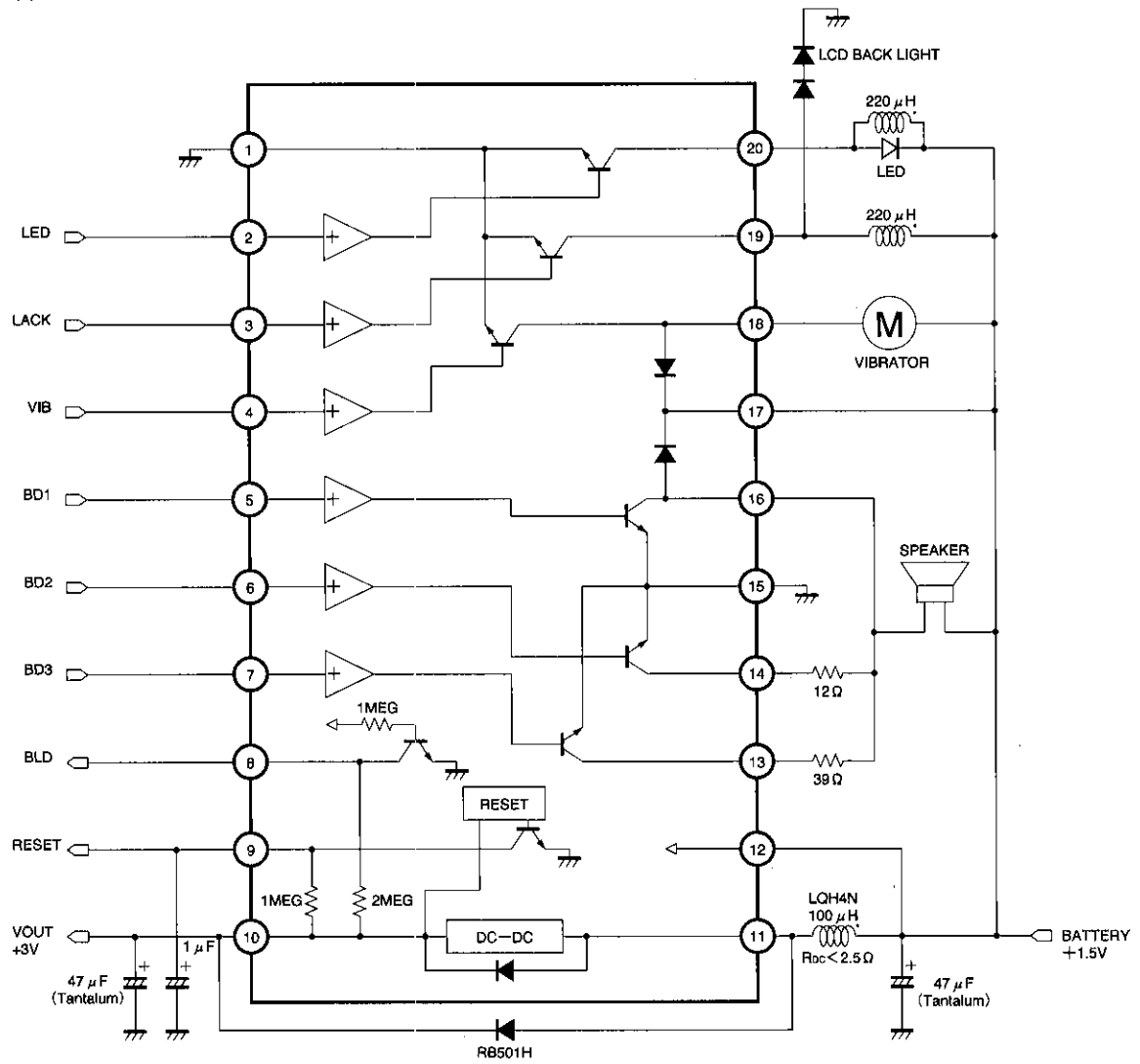


Fig. 2

●Electrical characteristic curves

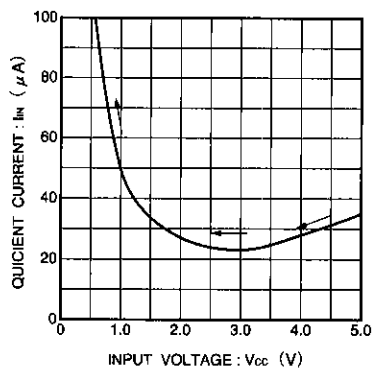


Fig. 3 Quicent current vs. input voltage characteristic

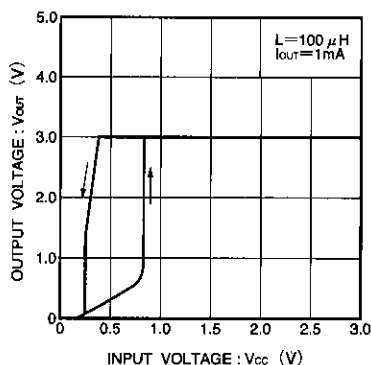


Fig. 4 DC/DC converter Output voltage vs. input voltage characteristic

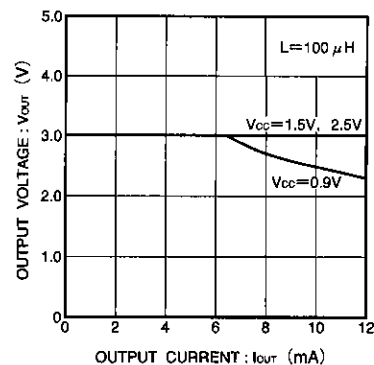


Fig. 5 DC/DC converter Output voltage vs. output current characteristic

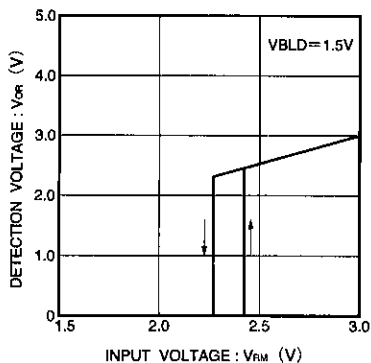


Fig. 6 Reset detection voltage

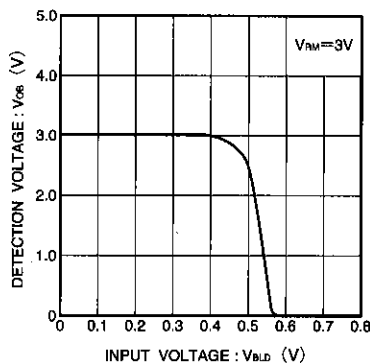


Fig. 7 BLD detection voltage

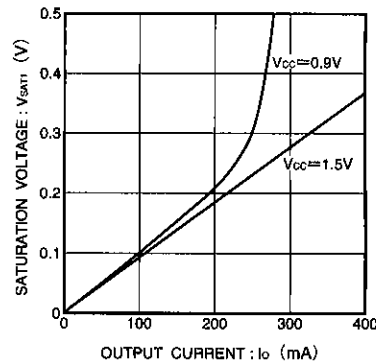


Fig. 8 Vibrator control unit Saturation voltage vs. output current characteristic

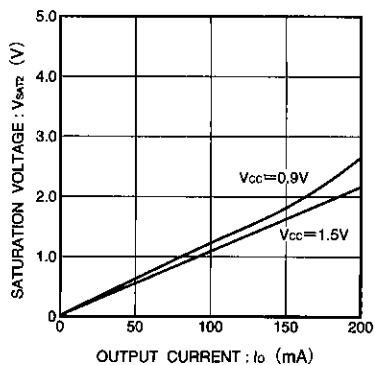


Fig. 9 Speaker control unit 1 Saturation voltage vs. output current characteristic

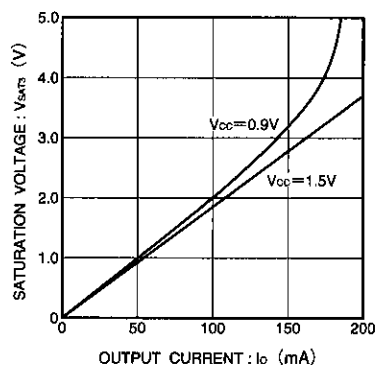
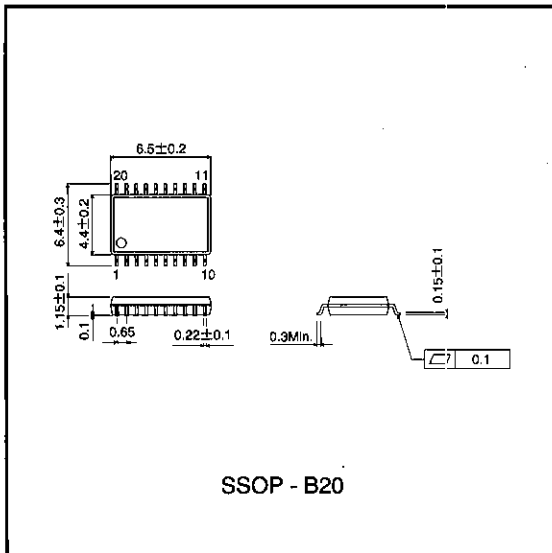


Fig. 10 Speaker control units 2 and 3, LED control unit, LCD backlight control unit Saturation voltage vs. output current characteristic

Power ICs for pagers

Cellular phones/PHS/Pagers

● External dimensions (Units: mm)



Notes

- The contents described in this catalogue are correct as of March 1997.
- No unauthorized transmission or reproduction of this book, either in whole or in part, is permitted.
- The contents of this book are subject to change without notice. Always verify before use that the contents are the latest specifications. If, by any chance, a defect should arise in the equipment as a result of use without verification of the specifications, ROHM CO., LTD., can bear no responsibility whatsoever.
- Application circuit diagrams and circuit constants contained in this data book are shown as examples of standard use and operation. When designing for mass production, please pay careful attention to peripheral conditions.
- Any and all data, including, but not limited to application circuit diagrams, information, and various data, described in this catalogue are intended only as illustrations of such devices and not as the specifications for such devices. ROHM CO., LTD., disclaims any warranty that any use of such device shall be free from infringement of any third party's intellectual property rights or other proprietary rights, and further, assumes absolutely no liability in the event of any such infringement, or arising from or connected with or related to the use of such devices.
- Upon the sale of any such devices; other than for the buyer's right to use such devices itself, resell or otherwise dispose of the same; no express or implied right or license to practice or commercially exploit any intellectual property rights or other proprietary rights owned or controlled by ROHM CO., LTD., is granted to any such buyer.
- The products in this manual are manufactured with silicon as the main material.
- The products in this manual are not of radiation resistant design.

The products listed in this catalogue are designed to be used with ordinary electronic equipment or devices (such as audio-visual equipment, office-automation equipment, communications devices, electrical appliances, and electronic toys). Should you intend to use these products with equipment or devices which require an extremely high level of reliability and the malfunction of which would directly endanger human life (such as medical instruments, transportation equipment, aerospace machinery, nuclear-reactor controllers, fuel controllers, or other safety devices) please be sure to consult with our sales representatives in advance.

- Notes when exporting
 - It is essential to obtain export permission when exporting any of the above products when it falls under the category of strategic material (or labor) as determined by foreign exchange or foreign trade control laws.
 - Please be sure to consult with our sales representatives to ascertain whether any product is classified as a strategic material.