



CD4023BM/CD4023BC Buffered Triple 3-Input NAND Gate

CD4025BM/CD4025BC Buffered Triple 3-Input NOR Gate

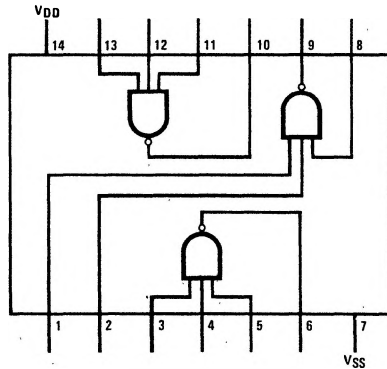
General Description

These triple gates are monolithic complementary MOS (CMOS) integrated circuits constructed with N- and P-channel enhancement mode transistors. They have equal source and sink current capabilities and conform to standard B series output drive. The devices also have buffered outputs which improve transfer characteristics by providing very high gain. All inputs are protected against static discharge with diodes to V_{DD} and V_{SS} .

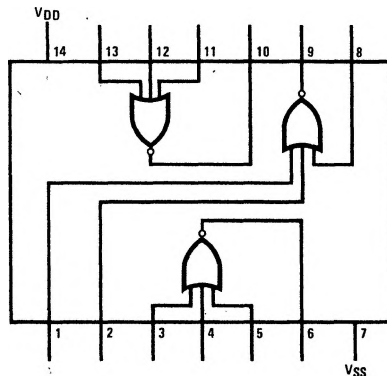
Features

- Wide supply voltage range 3.0V to 15V
- High noise immunity 0.45 V_{DD} (typ.)
- Low power TTL compatibility fan out of 2 driving 74L
or 1 driving 74LS
- 5V-10V-15V parametric ratings
- Symmetrical output characteristics
- Maximum input leakage $1\mu A$ at 15V over full temperature range

Connection Diagrams



CD4023BM/CD4023BM
 TOP VIEW



CD4025BM/CD4025BC
 TOP VIEW

Absolute Maximum Ratings (Notes 1 and 2)

V_{DD}	DC Supply Voltage	-0.5 V_{DC} to +18 V_{DC}
V_{IN}	Input Voltage	-0.5 V_{DC} to $V_{DD} + 0.5 V_{DC}$
T_S	Storage Temperature Range	-65°C to +150°C
P_D	Package Dissipation	500 mW
T_L	Lead Temperature (soldering, 10 seconds)	300°C

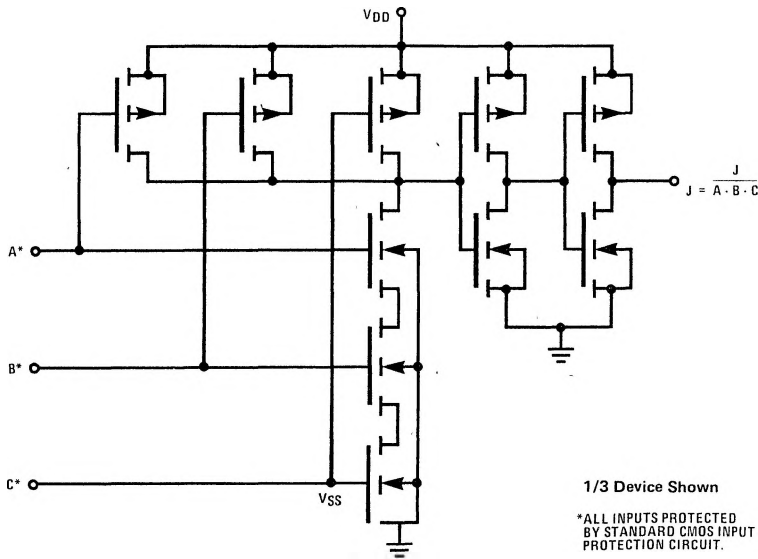
Recommended Operating Conditions

V_{DD}	DC Supply Voltage	+5 V_{DC} to +15 V_{DC}
V_{IN}	Input Voltage	0 V_{DC} to $V_{DD} V_{DC}$
T_A	Operating Temperature Range	CD4023BM, CD4025BM -55°C to +125°C CD4023BC, CD4025BC -40°C to +85°C

DC Electrical Characteristics - CD4023BM, CD4025BM (Note 2)

PARAMETER	CONDITIONS	-55°C		+25°C			+125°C		UNITS
		MIN	MAX	MIN	TYP	MAX	MIN	MAX	
I_{DD}	Quiescent Device Current $V_{DD} = 5V$ $V_{DD} = 10V$ $V_{DD} = 15V$		0.25		0.004	0.25		7.5	μA
			0.5		0.005	0.5		15	μA
			1.0		0.006	1.0		30	μA
V_{OL}	Low Level Output Voltage $V_{DD} = 5V$ $V_{DD} = 10V$ $V_{DD} = 15V$		0.05		0	0.05		0.05	V
			0.05		0	0.05		0.05	V
			0.05		0	0.05		0.05	V
V_{OH}	High Level Output Voltage $V_{DD} = 5V$ $V_{DD} = 10V$ $V_{DD} = 15V$		4.95		4.95	5		4.95	V
			9.95		9.95	10		9.95	V
			14.95		14.95	15		14.95	V
V_{IL}	Low Level Input Voltage $V_{DD} = 5V, V_O = 4.5V$ $V_{DD} = 10V, V_O = 9.0V$ $V_{DD} = 15V, V_O = 13.5V$ $ I_{O1} < 1 \mu A$		1.5		2	1.5		1.5	V
			3.0		4	3.0		3.0	V
			4.0		6	4.0		4.0	V
V_{IH}	High Level Input Voltage $V_{DD} = 5V, V_O = 0.5V$ $V_{DD} = 10V, V_O = 1.0V$ $V_{DD} = 15V, V_O = 1.5V$ $ I_{O1} < 1 \mu A$		3.5		3.5	3		3.5	V
			7.0		7.0	6		7.0	V
			11.0		11.0	9		11.0	V
I_{OL}	Low Level Output Current $V_{DD} = 5V, V_O = 0.4V$ $V_{DD} = 10V, V_O = 0.5V$ $V_{DD} = 15V, V_O = 1.5V$		0.64		0.51	0.88		0.36	mA
			1.6		1.3	2.2		0.90	mA
			4.2		3.4	8		2.4	mA
I_{OH}	High Level Output Current $V_{DD} = 5V, V_O = 4.6V$ $V_{DD} = 10V, V_O = 9.5V$ $V_{DD} = 15V, V_O = 13.5V$		-0.64		-0.51	-0.88		-0.36	mA
			-1.6		-1.3	-2.2		-0.90	mA
			-4.2		-3.4	-8		-2.4	mA
I_{IN}	Input Current $V_{DD} = 15V, V_{IN} = 0V$ $V_{DD} = 15V, V_{IN} = 15V$		-0.10		-10 ⁻⁵	-0.10		-1.0	μA
			0.10		10 ⁻⁵	0.10		1.0	μA

schematic diagram



1/3 Device Shown
*ALL INPUTS PROTECTED BY STANDARD CMOS INPUT PROTECTION CIRCUIT.

CD4023BC/CD4023BM

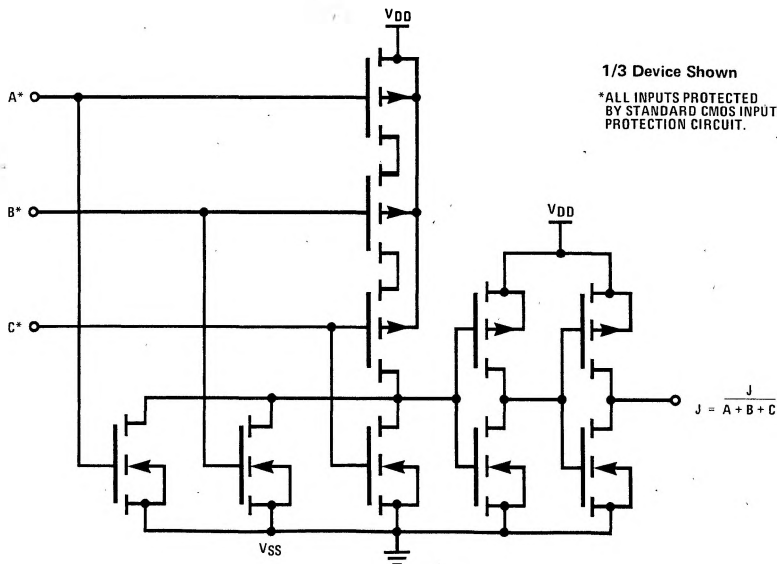
DC Electrical Characteristics CD4023BC, CD4025BC (Note 2)

PARAMETER	CONDITIONS	-40°C		+25°C			+85°C		UNITS
		MIN	MAX	MIN	TYP	MAX	MIN	MAX	
I _{DD}	Quiescent Device Current V _{DD} = 5 V V _{DD} = 10 V V _{DD} = 15 V				0.004			7.5	μA
					0.005			15	μA
					0.006			30	μA
V _{OL}	Low Level Output Voltage V _{DD} = 5 V V _{DD} = 10 V V _{DD} = 15 V		0.05		0	0.05		0.05	V
			0.05		0	0.05		0.05	V
			0.05		0	0.05		0.05	V
V _{OH}	High Level Output Voltage V _{DD} = 5 V V _{DD} = 10 V V _{DD} = 15 V	4.95		4.95	5		4.95		V
		9.95		9.95	10		9.95		V
		14.95		14.95	15		14.95		V
V _{IL}	Low Level Input Voltage V _{DD} = 5 V, V _O = 4.5 V V _{DD} = 10 V, V _O = 9.0 V V _{DD} = 15 V, V _O = 13.5 V } I _O < 1 μA		1.5		2	1.5		1.5	V
			3.0		4	3.0		3.0	V
			4.0		6	4.0		4.0	V
V _{IH}	High Level Input Voltage V _{DD} = 5 V, V _O = 0.5 V V _{DD} = 10 V, V _O = 1.0 V V _{DD} = 15 V, V _O = 1.5 V } I _O < 1 μA	3.5		3.5	3		3.5		V
		7.0		7.0	6		7.0		V
		11.0		11.0	9		11.0		V
I _{OL}	Low Level Output Current V _{DD} = 5 V, V _O = 0.4 V V _{DD} = 10 V, V _O = 0.5 V V _{DD} = 15 V, V _O = 1.5 V	0.52		0.44	0.88		0.36		mA
		1.3		1.1	2.2		0.90		mA
		3.6		3.0	8		2.4		mA
I _{OH}	High Level Output Current V _{DD} = 5 V, V _O = 4.6 V V _{DD} = 10 V, V _O = 9.5 V V _{DD} = 15 V, V _O = 13.5 V	-0.52		-0.44	-0.88		-0.36		mA
		-1.3		-1.1	-2.2		-0.90		mA
		-3.6		-3.0	-8		-2.4		mA
I _{IN}	Input Current V _{DD} = 15 V, V _{IN} = 0 V V _{DD} = 15 V, V _{IN} = 15 V	-0.3		-10 ⁻⁵	-0.3		-1.0		μA
		0.3		10 ⁻⁵	0.3		1.0		μA

Note 1: "Absolute Maximum Ratings" are those values beyond which the safety of the device cannot be guaranteed; they are not meant to imply that the devices should be operated at these limits. The table of "Recommended Operating Conditions" and "Electrical Characteristics" provides conditions for actual device operation.

Note 2: V_{SS} = 0 V unless otherwise specified.

schematic diagram



CD4025BM/CD4025BC

AC Electrical Characteristics $T_A = 25^\circ\text{C}$, $C_L = 50\text{ pF}$, $R_L = 200\text{ k}$, unless otherwise specified.

CD4023BM/CD4023BC
CD4025BM/CD4025BC

PARAMETER		CONDITIONS	CD4023BC CD4023BM			CD4025BC CD4025BM			UNITS
			MIN	TYP	MAX	MIN	TYP	MAX	
t _{PHL}	Propagation Delay, High to Low Level	V _{DD} = 5 V		130	250		130	250	ns
		V _{DD} = 10 V		60	100		60	100	ns
		V _{DD} = 15 V		40	70		40	70	ns
t _{PLH}	Propagation Delay, Low to High Level	V _{DD} = 5 V		110	250		120	250	ns
		V _{DD} = 10 V		50	100		60	100	ns
		V _{DD} = 15 V		35	70		40	70	ns
t _{THL}	Transition Time	V _{DD} = 5 V		90	200		90	200	ns
t _{TLH}		V _{DD} = 10 V		50	100		50	100	ns
		V _{DD} = 15 V		40	80		40	80	ns
C _{IN}	Average Input Capacitance (See Note 3)	Any Input		5	7.5		5	7.5	pF
C _{PD}	Power Dissipation Capacity (See Note 4)	Any Gate		17			17		pF

Note 3: Capacitance is guaranteed by periodic testing.

Note 4: C_{PD} determines the no load AC power consumption of any CMOS device. For complete explanation see 54C/74C Family characteristics Application Note AN-90.