

# CD4529BM/CD4529BC Dual 4-Channel or Single 8-Channel Analog Data Selector

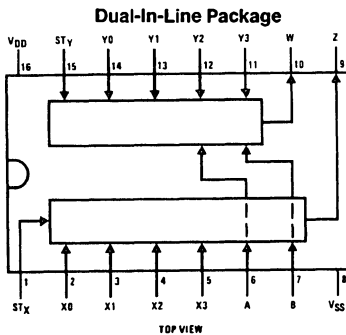
## General Description

The CD4529B is a dual 4-channel or a single 8-channel analog data selector, implemented with complementary MOS (CMOS) circuits constructed with N- and P-channel enhancement mode transistors. Dual 4-channel or 8-channel mode operation is selected by proper input coding, with outputs Z and W tied together for the single 8-bit mode. The device is suitable for digital as well as analog applications, including various 1-of-4 and 1-of-8 data selector functions. Since the device is analog and bidirectional, it can also be used for dual binary to 1-of-4 or single 1-of-8 decoder applications.

## Features

- Wide supply voltage range 3.0V to 15V
- High noise immunity 0.45 V<sub>DD</sub> (typ.)
- Low quiescent power dissipation 0.005 μW/package (typ.)@5.0 V<sub>DD</sub>
- 10 MHz frequency operation (typ.)
- Data paths are bidirectional
- Linear ON resistance [120Ω (typ.)@15V]
- TRI-STATE® outputs (high impedance disable strobe)
- Plug-in replacement for MC14529B

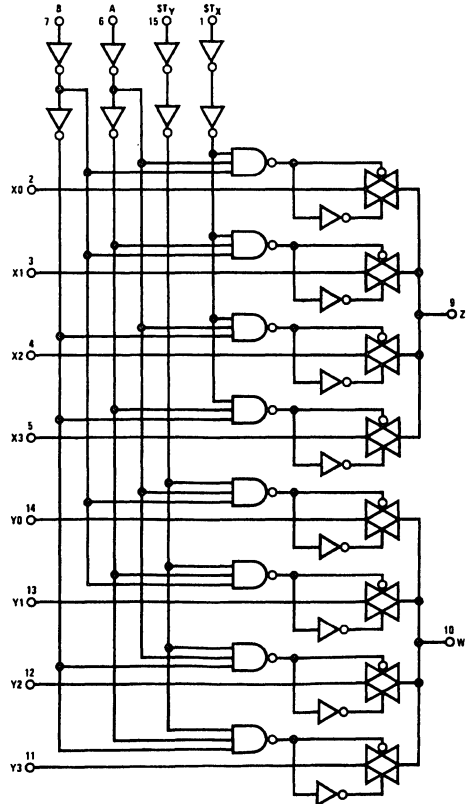
## Connection Diagram



Order Number CD4529B\*

\*Please look into Section 8, Appendix D for availability of various package types.

## Logic Diagram



## Truth Table

ST <sub>X</sub>	ST <sub>Y</sub>	B	A	Z	W
1	1	0	0	X0	Y0
1	1	0	1	X1	Y1
1	1	1	0	X2	Y2
1	1	1	1	X3	Y3
1	0	0	0	X0	
1	0	0	1	X1	
1	0	1	0	X2	
1	0	1	1	X3	
0	1	0	0	Y0	
0	1	0	1	Y1	
0	1	1	0	Y2	
0	1	1	1	Y3	
0	0	X	X	High Impedance (TRI-STATE)	

Dual 4-Channel Mode  
2 Outputs

Single 8-Channel Mode  
1 Output (Z and W tied together)

X = Don't care

See the CMOS Logic Databook for Complete Specifications

TL/F/5999-1