

# PROGRAMMABLE 3-PLL VCXO CLOCK SYNTHESIZER WITH 1.8-V, 2.5-V, AND 3.3-V LVCMOS OUTPUTS

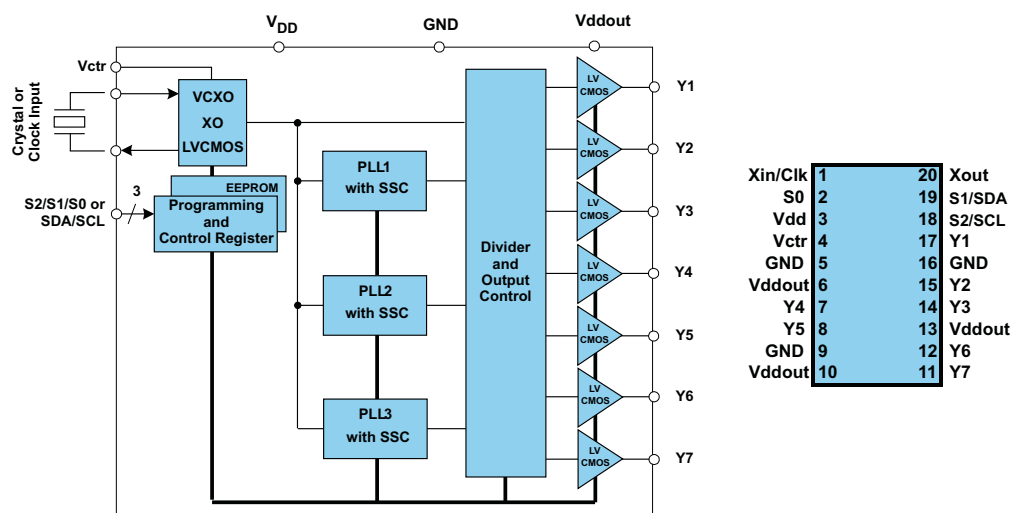
Check for Samples: [CDCE937-Q1](#), [CDCEL937-Q1](#)

## FEATURES

- Qualified for Automotive Applications
- Member of Programmable Clock Generator Family
  - CDCE913/CDCEL913: 1-PLL, 3 Outputs
  - CDCE925/CDCEL925: 2-PLL, 5 Outputs
  - **CDCE937/CDCEL937: 3-PLL, 7 Outputs**
  - CDCE949/CDCEL949: 4-PLL, 9 Outputs
- In-System Programmability and EEPROM
  - Serial Programmable Volatile Register
  - Nonvolatile EEPROM to Store Customer Setting
- Flexible Input Clocking Concept
  - External Crystal: 8 MHz to 32 MHz
  - On-Chip VCXO: Pull Range  $\pm 150$  ppm
  - Single-Ended LVCMOS up to 160 MHz
- Selectable Output Frequency up to 230 MHz
- Low-Noise PLL Core
  - Integrated PLL Loop Filter Components
  - Low Period Jitter (Typ 60 ps)
- Separate Output Supply Pins
  - CDCE937: 3.3 V and 2.5 V
  - CDCEL937: 1.8 V
- 1.8-V Device Power Supply
- Flexible Clock Driver
  - Three User-Definable Control Inputs [S0/S1/S2]; e.g., SSC Selection, Frequency Switching, Output Enable or Power Down
  - Generates Highly Accurate Clocks for Video, Audio, USB, IEEE1394, RFID, Bluetooth™, WLAN, Ethernet™, and GPS
  - Generates Common Clock Frequencies Used With TI DaVinci™, OMAP™, DSPs
  - Programmable SSC Modulation
  - Enables 0-PPM Clock Generation
- Latch-Up Performance Meets 100 mA Per JESD 78, Class I
- Wide Temperature Range  $-40^{\circ}$  C to  $125^{\circ}$  C
- Packaged in TSSOP
- Development and Programming Kit for Easy PLL Design and Programming (TI Pro-Clock™)

## APPLICATIONS

- D-TV, HD-TV, STB, IP-STB, DVD-Player, DVD-Recorder, Printer



Please be aware that an important notice concerning availability, standard warranty, and use in critical applications of Texas Instruments semiconductor products and disclaimers thereto appears at the end of this data sheet.



This integrated circuit can be damaged by ESD. Texas Instruments recommends that all integrated circuits be handled with appropriate precautions. Failure to observe proper handling and installation procedures can cause damage.

ESD damage can range from subtle performance degradation to complete device failure. Precision integrated circuits may be more susceptible to damage because very small parametric changes could cause the device not to meet its published specifications.

## DESCRIPTION

The CDCE937 and CDCEL937 are modular PLL-based low-cost high-performance programmable clock synthesizers, multipliers, and dividers. It generates up to seven output clocks from a single input frequency. Each output can be programmed in-system for any clock frequency up to 230 MHz, using up to three independent configurable PLLs.

The CDCx937 has separate output supply pins, VDDOUT, which is 1.8 V for CDCEL937 and to 2.5 V to 3.3 V for CDCE937.

The input accepts an external crystal or LVCMOS clock signal. If an external crystal is used, an on-chip load capacitor is adequate for most applications. The value of the load capacitor is programmable from 0 to 20 pF. Additionally, an on-chip VCXO is selectable which allows synchronization of the output frequency to an external control signal, that is, PWM signal.

The deep M/N divider ratio allows the generation of zero ppm audio/video, networking (WLAN, BlueTooth, Ethernet, GPS) or Interface (USB, IEEE1394, Memory Stick) clocks from a reference input frequency such as 27 MHz.

All PLLs supports SSC (Spread-Spectrum Clocking). SSC can be Center-Spread or Down-Spread clocking which is a common technique to reduce electro-magnetic interference (EMI).

Based on the PLL frequency and the divider settings, the internal loop filter components are automatically adjusted to achieve high stability and optimized jitter transfer characteristic of each PLL.

The device supports non-volatile EEPROM programming for ease-customized application. It is preset to a factory default configuration (see the *Default Device Configuration* section). It can be reprogrammed to a different application configuration before PCB assembly, or reprogrammed by in-system programming. All device settings are programmable through SDA/SCL bus, a 2-wire serial interface.

Three programmable control inputs, S0, S1 and S2, can be used to control various aspects of operation including frequency selection changing the SSC parameters to lower EMI, PLL bypass, power down, and choosing between low level or 3-state for output-disable function.

The CDCEx937 operates in 1.8-V environment. It is characterized for operation from  $-40^{\circ}\text{C}$  to  $125^{\circ}\text{C}$ .

### ORDERING INFORMATION<sup>(1)</sup>

| T <sub>A</sub> | PACKAGE <sup>(2)</sup> |            | ORDERABLE PART NUMBER | TOP-SIDE MARKING |
|----------------|------------------------|------------|-----------------------|------------------|
|                | -40°C to 125°C         | TSSOP – PW | Reel of 2000          | CDCE937QPWRQ1    |
| CDCEL937QPWRQ1 |                        |            |                       | CEL937Q          |

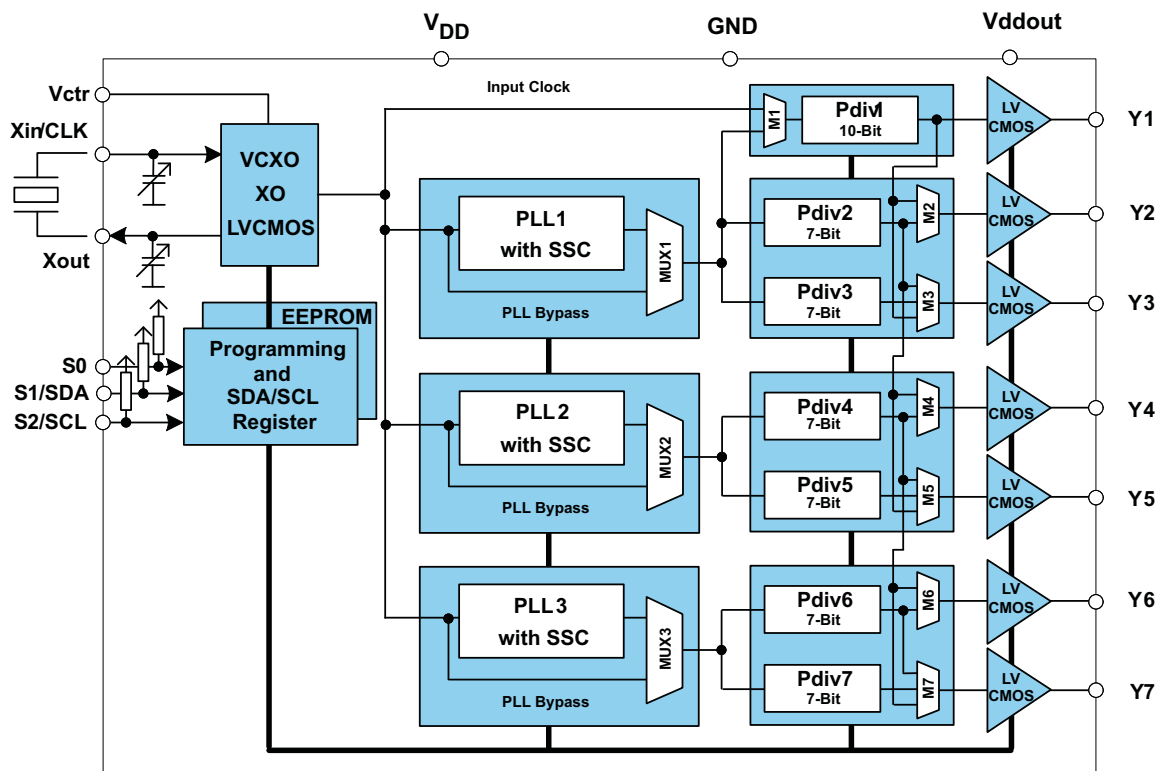
(1) For the most current package and ordering information, see the Package Option Addendum at the end of this document, or see the TI web site at [www.ti.com](http://www.ti.com).

(2) Package drawings, thermal data, and symbolization are available at [www.ti.com/packaging](http://www.ti.com/packaging).

Terminal Functions

| NAME               | PIN TSSOP24                 | TYPE     | DESCRIPTION   |
|--------------------|-----------------------------|----------|---|
| Y1, Y2, ...<br>Y7  | 17, 15, 14, 7,<br>8, 12, 11 | O        | LVCMOS outputs  |
| Xin/CLK            | 1                           | I        | Crystal oscillator input or LVCMOS clock input (selectable via SDA/SCL bus)   |
| Xout               | 20                          | O        | Crystal oscillator output (leave open or pull up (~500k) when not used)   |
| V <sub>Ctrl</sub>  | 4                           | I        | VCXO control voltage (leave open or pull up (~500k) when not used)  |
| V <sub>DD</sub>    | 3                           | Power    | 1.8-V power supply for the device   |
| V <sub>ddout</sub> | 6, 10, 13                   | Power    | <b>CDCEL937:</b> 1.8-V supply for all outputs<br><b>CDCE937:</b> 3.3-V or 2.5-V supply for all outputs  |
| GND                | 5, 9, 16                    | Ground   | Ground  |
| S0                 | 2                           | I        | User-programmable control input S0; LVCMOS inputs; Internal pullup 500k   |
| SDA/S1             | 19                          | I/O or I | <b>SDA:</b> Bidirectional serial data input/output (default configuration). LVCMOS; Internal pullup 500k; or<br><b>S1:</b> User-programmable control input; LVCMOS inputs; Internal pullup 500k |
| SCL/S2             | 18                          | I        | <b>SCL:</b> Serial clock input(default configuration), LVCMOS; Internal pullup 500k; or<br><b>S2:</b> User-programmable control input; LVCMOS inputs; Internal pullup 500k                      |

FUNCTIONAL BLOCK DIAGRAM



## ABSOLUTE MAXIMUM RATINGS

over operating free-air temperature range (unless otherwise noted)<sup>(1)</sup>

|                  |   | VALUE                            | UNIT |
|------------------|---|----------------------------------|------|
| V <sub>DD</sub>  | Supply voltage range  | –0.5 to 2.5                      | V    |
| V <sub>I</sub>   | Input voltage range <sup>(2)</sup> <sup>(3)</sup>                     | –0.5 to V <sub>DD</sub> + 0.5    | V    |
| V <sub>O</sub>   | Output voltage range <sup>(2)</sup>                                   | –0.5 to V <sub>DDout</sub> + 0.5 | V    |
| I <sub>I</sub>   | Input current (V <sub>I</sub> < 0, V <sub>I</sub> > V <sub>DD</sub> ) | 20                               | mA   |
| I <sub>O</sub>   | Continuous output current   | 50                               | mA   |
| T <sub>stg</sub> | Storage temperature range   | –65 to 150                       | °C   |

(1) Stresses beyond those listed under *absolute maximum ratings* may cause permanent damage to the device. These are stress ratings only and functional operation of the device at these or any other conditions beyond those indicated under *recommended operating conditions* is not implied. Exposure to absolute-maximum-rated conditions for extended periods may affect device reliability.

(2) The input and output negative voltage ratings may be exceeded if the input and output clamp-current ratings are observed.

(3) SDA and SCL can go up to 3.6 V as stated in the *Recommended Operating Conditions* table.

## PACKAGE THERMAL RESISTANCE<sup>(1)</sup>

over operating free-air temperature range (unless otherwise noted)

| PARAMETER        |   | AIRFLOW<br>(lfm) | °C/W |
|------------------|---|------------------|------|
| T <sub>JA</sub>  | Thermal resistance, junction to ambient | 0                | 89   |
|                  |   | 150              | 75   |
|                  |   | 200              | 74   |
|                  |   | 250              | 74   |
|                  |   | 500              | 69   |
| T <sub>JC</sub>  | Thermal resistance, junction to case    | —                | 31   |
| T <sub>JB</sub>  | Thermal resistance, junction to board   | —                | 55   |
| R <sub>θJT</sub> | Thermal resistance, junction to top     | —                | 0.8  |
| R <sub>θJB</sub> | Thermal resistance, junction to bottom  | —                | 49   |

(1) The package thermal impedance is calculated in accordance with JESD 51 and JEDEC2S2P (high-k board).

## RECOMMENDED OPERATING CONDITIONS

|                                   |  | MIN                 | NOM                 | MAX                 | UNIT |
|-----------------------------------|--|---------------------|---------------------|---------------------|------|
| V <sub>DD</sub>                   | Device supply voltage  | 1.7                 | 1.8                 | 1.9                 | V    |
| V <sub>O</sub>                    | Output Yx supply voltage, V <sub>DDout</sub>                                       | CDCE937             |                     | 3.6                 | V    |
|                                   |  | CDCEL937            | 1.7                 | 1.9                 |      |
| V <sub>IL</sub>                   | Low-level input voltage LVCMOS   |                     |                     | 0.3 V <sub>DD</sub> | V    |
| V <sub>IH</sub>                   | High-level input voltage LVCMOS  | 0.7 V <sub>DD</sub> |                     |                     | V    |
| V <sub>I(thresh)</sub>            | Input voltage threshold LVCMOS   |                     | 0.5 V <sub>DD</sub> |                     | V    |
| V <sub>IS</sub>                   | Input voltage range S0   | 0                   |                     | 1.9                 | V    |
|                                   | Input voltage range S1, S2, SDA, SCL; V <sub>I(thresh)</sub> = 0.5 V <sub>DD</sub> | 0                   |                     | 3.6                 |      |
| V <sub>I(CLK)</sub>               | Input voltage range CLK  | 0                   |                     | 1.9                 | V    |
| I <sub>OH</sub> / I <sub>OL</sub> | Output current (V <sub>DDout</sub> = 3.3 V)  |                     |                     | ±12                 | mA   |
|                                   | Output current (V <sub>DDout</sub> = 2.5 V)  |                     |                     | ±10                 |      |
|                                   | Output current (V <sub>DDout</sub> = 1.8 V)  |                     |                     | ±8                  |      |
| C <sub>L</sub>                    | Output load LVCMOS   |                     |                     | 10                  | pF   |
| T <sub>A</sub>                    | Ambient temperature  | –40                 |                     | 125                 | °C   |

## RECOMMENDED CRYSTAL/VCXO SPECIFICATIONS<sup>(1)</sup>

|            |   | MIN       | NOM       | MAX      | UNIT     |
|------------|---|-----------|-----------|----------|----------|
| $f_{Xtal}$ | Crystal input frequency range (fundamental mode)                              | 8         | 27        | 32       | MHz      |
| ESR        | Effective series resistance   |           |           | 100      | $\Omega$ |
| $f_{PR}$   | Pulling range ( $0\text{ V} \leq V_{ctrl} \leq 1.8\text{ V}$ ) <sup>(2)</sup> | $\pm 120$ | $\pm 150$ |          | ppm      |
|            | Frequency control voltage, $V_{ctrl}$   | 0         |           | $V_{DD}$ | V        |
| $C_0/C_1$  | Pullability ratio   |           |           | 220      |          |
| $C_L$      | On-chip load capacitance at $X_{in}$ and $X_{out}$                            | 0         |           | 20       | pF       |

(1) For more information about VCXO configuration, and crystal recommendation, see application report (SCAA085).

(2) Pulling range depends on crystal-type, on-chip crystal load capacitance and PCB stray capacitance; pulling range of min  $\pm 120$  ppm applies for crystal listed in the application report (SCAA085).

## EEPROM SPECIFICATION

|       |                              | MIN  | TYP | MAX | UNIT   |
|-------|------------------------------|------|-----|-----|--------|
| EEcyc | Programming cycles of EEPROM | 1000 |     |     | cycles |
| EEret | Data retention               | 10   |     |     | years  |

## CLK\_IN TIMING REQUIREMENTS

over recommended ranges of supply voltage, load, and operating ambient temperature

|                     |  |                 | MIN | NOM | MAX | UNIT |
|---------------------|--|-----------------|-----|-----|-----|------|
| $f_{CLK}$           | LVCMOS clock input frequency               | PLL bypass mode | 0   |     | 160 | MHz  |
|                     |  | PLL mode        | 8   |     | 160 |      |
| $t_r / t_f$         | Rise and fall time CLK signal (20% to 80%) |                 |     |     | 3   | ns   |
| duty <sub>CLK</sub> | Duty cycle CLK at $V_{DD}/2$               |                 | 40% |     | 60% |      |

## SDA/SCL TIMING REQUIREMENTS

see [Figure 12](#)

|                 |  | STANDARD MODE |      | FAST MODE |     | UNIT          |
|-----------------|--|---------------|------|-----------|-----|---------------|
|                 |  | MIN           | MAX  | MIN       | MAX |               |
| $f_{SCL}$       | SCL clock frequency                              | 0             | 100  | 0         | 400 | kHz           |
| $t_{su}(START)$ | START setup time (SCL high before SDA low)       | 4.7           |      | 0.6       |     | $\mu\text{s}$ |
| $t_h(START)$    | START hold time (SCL low after SDA low)          | 4             |      | 0.6       |     | $\mu\text{s}$ |
| $t_w(SCLL)$     | SCL low-pulse duration                           | 4.7           |      | 1.3       |     | $\mu\text{s}$ |
| $t_w(SCLH)$     | SCL high-pulse duration                          | 4             |      | 0.6       |     | $\mu\text{s}$ |
| $t_h(SDA)$      | SDA hold time (SDA valid after SCL low)          | 0             | 3.45 | 0         | 0.9 | $\mu\text{s}$ |
| $t_{su}(SDA)$   | SDA setup time                                   | 250           |      | 100       |     | ns            |
| $t_r$           | SCL/SDA input rise time                          |               | 1000 |           | 300 | ns            |
| $t_f$           | SCL/SDA input fall time                          |               | 300  |           | 300 | ns            |
| $t_{su}(STOP)$  | STOP setup time                                  | 4             |      | 0.6       |     | $\mu\text{s}$ |
| $t_{BUS}$       | Bus free time between a STOP and START condition | 4.7           |      | 1.3       |     | $\mu\text{s}$ |

## DEVICE CHARACTERISTICS

over recommended operating ambient temperature range (unless otherwise noted)

| PARAMETER   |   | TEST CONDITIONS  | MIN                                  | TYP <sup>(1)</sup> | MAX  | UNIT    |
|---|---|--|--------------------------------------|--------------------|------|---------|
| <b>OVERALL PARAMETER</b>  |   |  |                                      |                    |      |         |
| I <sub>DD</sub>   | Supply current (see Figure 3)   | All outputs off, f <sub>(CLK)</sub> = 27 MHz, f <sub>(VCO)</sub> = 135 MHz | All PLLS on                          |                    | 29   | mA      |
|   |   |  | Per PLL                              |                    | 9    |         |
| I <sub>DDOUT</sub>  | Output supply current (see Figure 4)                                  | No load, all outputs on, f <sub>OUT</sub> = 27 MHz                         | CDCE937, V <sub>DDOUT</sub> = 3.3 V  |                    | 3.1  | mA      |
|   |   |  | CDCEL937, V <sub>DDOUT</sub> = 1.8 V |                    | 1.5  |         |
| I <sub>DD(PD)</sub>   | Power-down current. Every circuit powered down except SDA/SCL.        | f <sub>IN</sub> = 0 MHz, V <sub>DD</sub> = 1.9 V                           |                                      |                    | 50   | μA      |
| V <sub>(PUC)</sub>  | Supply voltage V <sub>dd</sub> threshold for power-up control circuit |  | 0.85                                 |                    |      | 1.45 V  |
| f <sub>(VCO)</sub>  | VCO frequency range of PLL  |  | 80                                   |                    |      | 230 MHz |
| f <sub>OUT</sub>  | LVCMOS output frequency   | V <sub>ddout</sub> = 3.3 V   |                                      |                    | 230  | MHz     |
|   |   | V <sub>ddout</sub> = 1.8 V   |                                      |                    | 230  |         |
| <b>LVCMOS PARAMETER</b>   |   |  |                                      |                    |      |         |
| V <sub>IK</sub>   | LVCMOS input voltage  | V <sub>DD</sub> = 1.7 V; I <sub>I</sub> = -18 mA                           |                                      |                    | -1.2 | V       |
| I <sub>I</sub>  | LVCMOS input current  | V <sub>I</sub> = 0 V or V <sub>DD</sub> ; V <sub>DD</sub> = 1.9 V          |                                      |                    | ±5   | μA      |
| I <sub>IH</sub>   | LVCMOS input current for S0/S1/S2                                     | V <sub>I</sub> = V <sub>DD</sub> ; V <sub>DD</sub> = 1.9 V                 |                                      |                    | 5    | μA      |
| I <sub>IL</sub>   | LVCMOS input current for S0/S1/S2                                     | V <sub>I</sub> = 0 V; V <sub>DD</sub> = 1.9 V                              |                                      |                    | -6   | μA      |
| C <sub>I</sub>  | Input capacitance at Xin/Clk  | V <sub>(CLK)</sub> = 0 V or V <sub>DD</sub>                                |                                      |                    | 6    | pF      |
|   | Input capacitance at Xout   | V <sub>(Xout)</sub> = 0 V or V <sub>DD</sub>                               |                                      |                    | 2    |         |
|   | Input capacitance at S0/S1/S2   | V <sub>IS</sub> = 0 V or V <sub>DD</sub>                                   |                                      |                    | 3    |         |
| <b>LVCMOS PARAMETER FOR V<sub>ddout</sub> = 3.3 V (CDCE937)</b> |   |  |                                      |                    |      |         |
| V <sub>OH</sub>   | LVCMOS high-level output voltage                                      | V <sub>ddout</sub> = 3 V, I <sub>OH</sub> = -0.1 mA                        |                                      |                    | 2.9  | V       |
|   |   | V <sub>ddout</sub> = 3 V, I <sub>OH</sub> = -8 mA                          |                                      |                    | 2.4  |         |
|   |   | V <sub>ddout</sub> = 3 V, I <sub>OH</sub> = -12 mA                         |                                      |                    | 2.2  |         |
| V <sub>OL</sub>   | LVCMOS low-level output voltage                                       | V <sub>ddout</sub> = 3 V, I <sub>OL</sub> = 0.1 mA                         |                                      |                    | 0.1  | V       |
|   |   | V <sub>ddout</sub> = 3 V, I <sub>OL</sub> = 8 mA                           |                                      |                    | 0.5  |         |
|   |   | V <sub>ddout</sub> = 3 V, I <sub>OL</sub> = 12 mA                          |                                      |                    | 0.8  |         |
| t <sub>PLH</sub> , t <sub>PHL</sub>                             | Propagation delay   | All PLL bypass   |                                      |                    | 3.2  | ns      |
| t <sub>r</sub> /t <sub>f</sub>                                  | Rise and fall time  | V <sub>ddout</sub> = 3.3 V (20%–80%)                                       |                                      |                    | 0.6  | ns      |
| t <sub>jitter(cc)</sub>   | Cycle-to-cycle jitter <sup>(2)</sup> <sup>(3)</sup>                   | 1 PLL switching, Y2-to-Y3  |                                      |                    | 60   | ps      |
|   |   | 3 PLL switching, Y2-to-Y7  |                                      |                    | 100  |         |
| t <sub>jitter(per)</sub>  | Peak-to-peak period jitter <sup>(3)</sup>                             | 1 PLL switching, Y2-to-Y3  |                                      |                    | 70   | ps      |
|   |   | 3 PLL switching, Y2-to-Y7  |                                      |                    | 120  |         |
| t <sub>sk(o)</sub>  | Output skew <sup>(4)</sup> , See Table 2                              | f <sub>OUT</sub> = 50 MHz; Y1-to-Y3  |                                      |                    | 60   | ps      |
|   |   | f <sub>OUT</sub> = 50 MHz; Y2-to-Y5  |                                      |                    | 160  |         |
| odc   | Output duty cycle <sup>(5)</sup>                                      | f <sub>VCO</sub> = 100 MHz; Pdiv = 1                                       |                                      |                    | 45%  | 55%     |

(1) All typical values are at respective nominal V<sub>DD</sub>.

(2) 10000 cycles.

(3) Jitter depends on configuration. Data is taken under the following conditions: 1-PLL : f<sub>IN</sub> = 27MHz, Y2/3 = 27 MHz, (measured at Y2), 3-PLL: f<sub>IN</sub> = 27 MHz, Y2/3 = 27 MHz (measured at Y2), Y4/5 = 16.384 MHz, Y6/7 = 74.25 MHz

(4) The t<sub>sk(o)</sub> specification is only valid for equal loading of each bank of outputs, and outputs are generated from the same divider; data taking on rising edge (tr).

(5) odc depends on output rise and fall time (tr/tf).

**DEVICE CHARACTERISTICS (continued)**

over recommended operating ambient temperature range (unless otherwise noted)

| PARAMETER   |  | TEST CONDITIONS  | MIN                 | TYP <sup>(1)</sup> | MAX                 | UNIT |
|---|--|--|---------------------|--------------------|---------------------|------|
| <b>LVC MOS PARAMETER for V<sub>ddout</sub> = 2.5 V (CDCE937)</b>  |  |  |                     |                    |                     |      |
| V <sub>OH</sub>   | LVCMOS high-level output voltage           | V <sub>ddout</sub> = 2.3 V, I <sub>OH</sub> = –0.1 mA      | 2.2                 |                    |                     | V    |
|   |  | V <sub>ddout</sub> = 2.3 V, I <sub>OH</sub> = –6 mA        | 1.7                 |                    |                     |      |
|   |  | V <sub>ddout</sub> = 2.3 V, I <sub>OH</sub> = –10 mA       | 1.6                 |                    |                     |      |
| V <sub>OL</sub>   | LVCMOS low-level output voltage            | V <sub>ddout</sub> = 2.3 V, I <sub>OL</sub> = 0.1 mA       |                     |                    | 0.1                 | V    |
|   |  | V <sub>ddout</sub> = 2.3 V, I <sub>OL</sub> = 6 mA         |                     |                    | 0.5                 |      |
|   |  | V <sub>ddout</sub> = 2.3 V, I <sub>OL</sub> = 10 mA        |                     |                    | 0.7                 |      |
| t <sub>PLH</sub> ,<br>t <sub>PHL</sub>                            | Propagation delay                          | All PLL bypass   | 3.4                 |                    |                     | ns   |
| t <sub>r</sub> /t <sub>f</sub>                                    | Rise and fall time                         | V <sub>ddout</sub> = 2.5 V (20%–80%)                       | 0.8                 |                    |                     | ns   |
| t <sub>jitter(cc)</sub>   | Cycle-to-cycle jitter <sup>(6)</sup> (7)   | 1 PLL switching, Y2-to-Y3                                  | 60                  |                    | 90                  | ps   |
|   |  | 3 PLL switching, Y2-to-Y7                                  | 100                 |                    | 150                 |      |
| t <sub>jitter(per)</sub>  | Peak-to-peak period jitter <sup>(8)</sup>  | 1 PLL switching, Y2-to-Y3                                  | 70                  |                    | 100                 | ps   |
|   |  | 3 PLL switching, Y2-to-Y7                                  | 120                 |                    | 180                 |      |
| t <sub>sk(o)</sub>  | Output skew <sup>(8)</sup> , See Table 2   | f <sub>OUT</sub> = 50 MHz; Y1-to-Y3                        |                     |                    | 60                  | ps   |
|   |  | f <sub>OUT</sub> = 50 MHz; Y2-to-Y5                        |                     |                    | 160                 |      |
| odc   | Output duty cycle <sup>(9)</sup>           | f <sub>(VCO)</sub> = 100 MHz; Pdiv = 1                     | 45%                 |                    | 55%                 |      |
| <b>LVC MOS PARAMETER for V<sub>ddout</sub> = 1.8 V (CDCEL937)</b> |  |  |                     |                    |                     |      |
| V <sub>OH</sub>   | LVCMOS high-level output voltage           | V <sub>ddout</sub> = 1.7 V, I <sub>OH</sub> = –0.1 mA      | 1.6                 |                    |                     | V    |
|   |  | V <sub>ddout</sub> = 1.7 V, I <sub>OH</sub> = –4 mA        | 1.4                 |                    |                     |      |
|   |  | V <sub>ddout</sub> = 1.7 V, I <sub>OH</sub> = –8 mA        | 1.1                 |                    |                     |      |
| V <sub>OL</sub>   | LVCMOS low-level output voltage            | V <sub>ddout</sub> = 1.7 V, I <sub>OL</sub> = 0.1 mA       |                     |                    | 0.1                 | V    |
|   |  | V <sub>ddout</sub> = 1.7 V, I <sub>OL</sub> = 4 mA         |                     |                    | 0.3                 |      |
|   |  | V <sub>ddout</sub> = 1.7 V, I <sub>OL</sub> = 8 mA         |                     |                    | 0.6                 |      |
| t <sub>PLH</sub> ,<br>t <sub>PHL</sub>                            | Propagation delay                          | All PLL bypass   | 2.6                 |                    |                     | ns   |
| t <sub>r</sub> /t <sub>f</sub>                                    | Rise and fall time                         | V <sub>ddout</sub> = 1.8 V (20%–80%)                       | 0.7                 |                    |                     | ns   |
| t <sub>jitter(cc)</sub>   | Cycle-to-cycle jitter <sup>(6)</sup> (7)   | 1 PLL switching, Y2-to-Y3                                  | 70                  |                    | 120                 | ps   |
|   |  | 3 PLL switching, Y2-to-Y7                                  | 100                 |                    | 150                 |      |
| t <sub>jitter(per)</sub>  | Peak-to-peak period jitter <sup>(7)</sup>  | 1 PLL switching, Y2-to-Y3                                  | 90                  |                    | 140                 | ps   |
|   |  | 3 PLL switching, Y2-to-Y7                                  | 120                 |                    | 190                 |      |
| t <sub>sk(o)</sub>  | Output skew <sup>(8)</sup> , See Table 2   | f <sub>OUT</sub> = 50 MHz; Y1-to-Y3                        |                     |                    | 60                  | ps   |
|   |  | f <sub>OUT</sub> = 50 MHz; Y2-to-Y5                        |                     |                    | 160                 |      |
| odc   | Output duty cycle <sup>(9)</sup>           | f <sub>(VCO)</sub> = 100 MHz; Pdiv = 1                     | 45%                 |                    | 55%                 |      |
| <b>SDA/SCL PARAMETER</b>  |  |  |                     |                    |                     |      |
| V <sub>IK</sub>   | SCL and SDA input clamp voltage            | V <sub>DD</sub> = 1.7 V; I <sub>I</sub> = –18 mA           |                     |                    | –1.2                | V    |
| I <sub>IH</sub>   | SCL and SDA input current                  | V <sub>I</sub> = V <sub>DD</sub> ; V <sub>DD</sub> = 1.9 V |                     |                    | ±10                 | μA   |
| V <sub>IH</sub>   | SDA/SCL input high voltage <sup>(10)</sup> |  | 0.7 V <sub>DD</sub> |                    |                     | V    |
| V <sub>IL</sub>   | SDA/SCL input low voltage <sup>(10)</sup>  |  |                     |                    | 0.3 V <sub>DD</sub> | V    |
| V <sub>OL</sub>   | SDA low-level output voltage               | I <sub>OL</sub> = 3 mA, V <sub>DD</sub> = 1.7 V            |                     |                    | 0.2 V <sub>DD</sub> | V    |
| C <sub>I</sub>  | SCL/SDA Input capacitance                  | V <sub>I</sub> = 0 V or V <sub>DD</sub>                    | 3                   |                    | 10                  | pF   |

(6) 10000 cycles.

 (7) Jitter depends on configuration. Data is taken under the following conditions: 1-PLL : f<sub>IN</sub> = 27MHz, Y2/3 = 27 MHz, (measured at Y2), 3-PLL: f<sub>IN</sub> = 27 MHz, Y2/3 = 27 MHz (measured at Y2), Y4/5 = 16.384 MHz, Y6/7 = 74.25 MHz

 (8) The t<sub>sk(o)</sub> specification is only valid for equal loading of each bank of outputs, and outputs are generated from the same divider; data taking on rising edge (tr).

 (9) odc depends on output rise and fall time (t<sub>r</sub>/t<sub>f</sub>).

(10) SDA and SCL pins are 3.3 V tolerant.

### PARAMETER MEASUREMENT INFORMATION

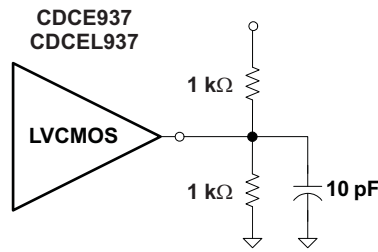


Figure 1. Test Load

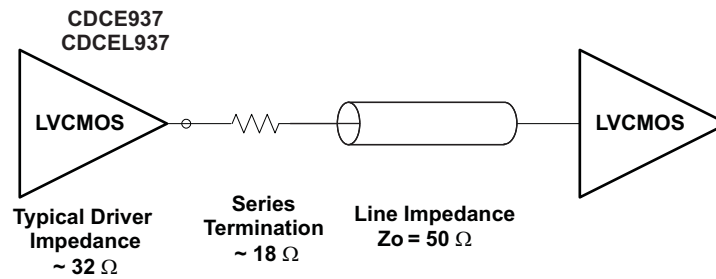


Figure 2. Test Load for 50- $\Omega$  Board Environment



TYPICAL CHARACTERISTICS

CDCE937, CDCEL937  
SUPPLY CURRENT  
vs  
PLL FREQUENCY

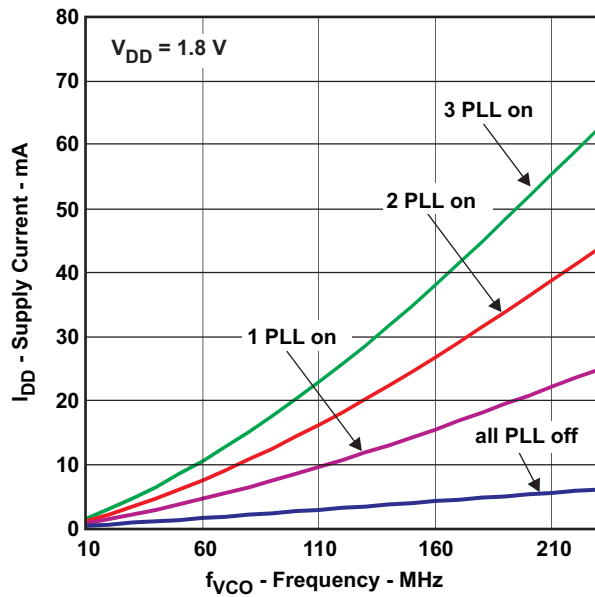


Figure 3.

CDCE937  
OUTPUT CURRENT  
vs  
OUTPUT FREQUENCY

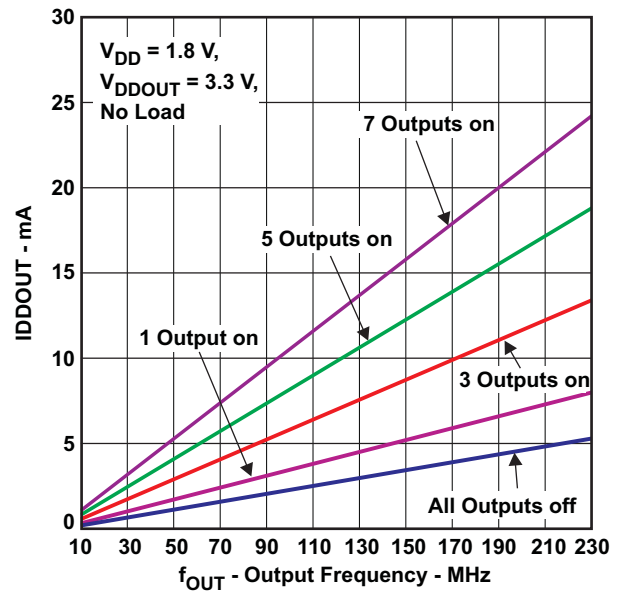


Figure 4.

CDCEL937  
OUTPUT CURRENT  
vs  
OUTPUT FREQUENCY

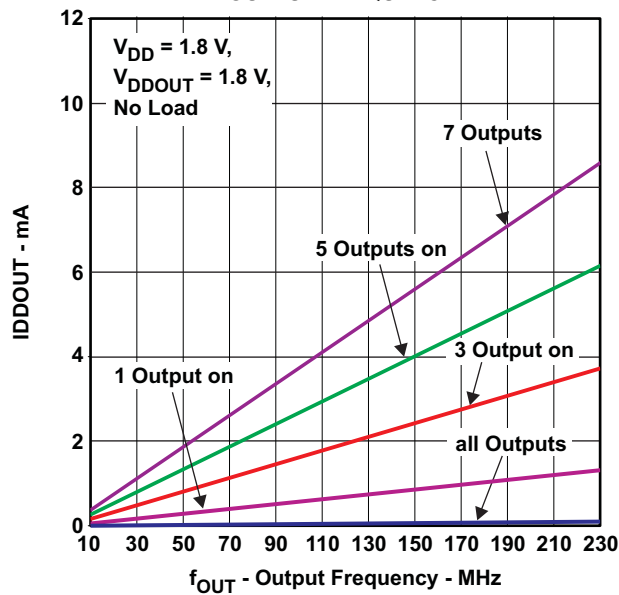


Figure 5.

## APPLICATION INFORMATION

### CONTROL TERMINAL SETTING

The CDCE937/CDCEL937 has three user-definable control terminals (S0, S1, and S2) that allow external control of device settings. They can be programmed to any of the following setting:

- Spread spectrum clocking selection → spread type and spread amount selection
- Frequency selection → switching between any of two user-defined frequencies
- Output state selection → output configuration and power down control

The user can predefine up to eight different control settings. [Table 1](#) and [Table 2](#) explain these settings.

**Table 1. Control Terminal Definition**

| External Control Bits | PLL1 Setting            |               |                        | PLL2 Setting            |               |                        | PLL3 Setting            |               |                        | Y1 Setting                         |
|-----------------------|-------------------------|---------------|------------------------|-------------------------|---------------|------------------------|-------------------------|---------------|------------------------|------------------------------------|
|                       | PLL Frequency Selection | SSC Selection | Output Y2/Y3 Selection | PLL Frequency Selection | SSC Selection | Output Y4/Y5 Selection | PLL Frequency Selection | SSC Selection | Output Y6/Y7 Selection |                                    |
| Control Function      |                         |               |                        |                         |               |                        |                         |               |                        | Output Y1 and Power-Down Selection |

**Table 2. PLLx Setting (can be selected for each PLL individual)<sup>(1)</sup>**

| SSC Selection (Center/Down)                 |   |            |          |          |
|---|---|------------|----------|----------|
| SSCx [3-bits]                               |   |            | Center   | Down     |
| 0   | 0 | 0          | 0% (off) | 0% (off) |
| 0   | 0 | 1          | ±0.25%   | -0.25%   |
| 0   | 1 | 0          | ±0.5%    | -0.5%    |
| 0   | 1 | 1          | ±0.75%   | -0.75%   |
| 1   | 0 | 0          | ±1.0%    | -1.0%    |
| 1   | 0 | 1          | ±1.25%   | -1.25%   |
| 1   | 1 | 0          | ±1.5%    | -1.5%    |
| 1   | 1 | 1          | ±2.0%    | -2.0%    |
| FREQUENCY SELECTION <sup>(2)</sup>          |   |            |          |          |
| FSx   |   | FUNCTION   |          |          |
| 0   |   | Frequency0 |          |          |
| 1   |   | Frequency1 |          |          |
| OUTPUT SELECTION <sup>(3)</sup> (Y2 ... Y7) |   |            |          |          |
| YxYx  |   | FUNCTION   |          |          |
| 0   |   | State0     |          |          |
| 1   |   | State1     |          |          |

- (1) Center/Down-Spread, Frequency0/1 and State0/1 are user-definable in PLLx Configuration Register;  
 (2) Frequency0 and Frequency1 can be any frequency within the specified  $f_{VCO}$  range.  
 (3) State0/1 selection is valid for both outputs of the corresponding PLL module and can be power down, 3-state, low or active

**Table 3. Y1 Setting<sup>(1)</sup>**

| Y1 SELECTION |          |
|--------------|----------|
| Y1           | FUNCTION |
| 0            | State 0  |
| 1            | State 1  |

- (1) State0 and State1 are user definable in Generic Configuration Register and can be power down, 3-state, low, or active.

S1/SDA and S2/SCL pins of the CDCE937/CDCEL937 are dual function pins. In default configuration they are defined as SDA/SCL for the serial interface. They can be programmed as control-pins (S1/S2) by setting the relevant bits in the EEPROM. Note that the changes to the Control register (Bit [6] of Byte [02]) have no effect until they are written into the EEPROM.

Once they are set as control pins, the serial programming interface is no longer available. However, if V<sub>DDOUT</sub> is forced to GND, the two control-pins, S1 and S2, temporarily act as serial programming pins (SDA/SCL).

S0 is not a multi-use pin, it is a control pin only.

### DEFAULT DEVICE SETTING

The internal EEPROM of CDCE937/CDCEL937 is preconfigured as shown in Figure 6. (The input frequency is passed through to the output as a default). This allows the device to operate in default mode without the extra production step of program it. The default setting appears after power is supplied or after power-down/up sequence until it is re-programmed by the user to a different application configuration. A new register setting is programmed via the serial SDA/SCL Interface.

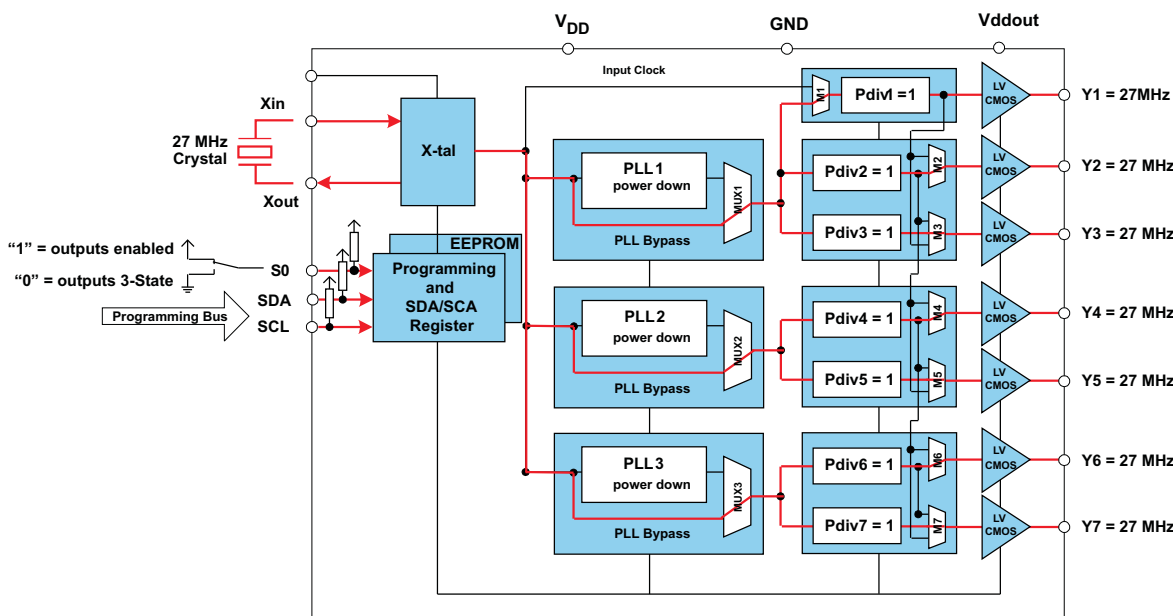


Figure 6. Default Device Setting

Table 4 shows the factory default setting for the Control Terminal Register (external control pins). In normal operation, all 8 register settings are available, but in the default configuration only the first two settings (0 and 1) can be selected with S0, as S1 and S2 configured as programming pins in default mode.

Table 4. Factory Default Setting for Control Terminal Register<sup>(1)</sup>

| External Control Pins |           |    | Y1               | PLL1 Settings       |               |                  | PLL2 Settings       |               |                  | PLL3 Settings       |               |                  |
|-----------------------|-----------|----|------------------|---------------------|---------------|------------------|---------------------|---------------|------------------|---------------------|---------------|------------------|
|                       |           |    | Output Selection | Frequency Selection | SSC Selection | Output Selection | Frequency Selection | SSC Selection | Output Selection | Frequency Selection | SSC Selection | Output Selection |
| S2                    | S1        | S0 | Y1               | FS1                 | SSC1          | Y2Y3             | FS2                 | SSC2          | Y4Y5             | FS3                 | SSC3          | Y6Y7             |
| SCL (I2C)             | SDA (I2C) | 0  | 3-state          | f <sub>VCO1,0</sub> | off           | 3-state          | f <sub>VCO2,0</sub> | off           | 3-state          | f <sub>VCO1,0</sub> | off           | 3-state          |
| SCL (I2C)             | SDA (I2C) | 1  | enabled          | f <sub>VCO1,0</sub> | off           | enabled          | f <sub>VCO2,0</sub> | off           | enabled          | f <sub>VCO1,0</sub> | off           | enabled          |

(1) In default mode or when programmed respectively, S1 and S2 act as serial programming interface, SDA/SCL. They do not have any control-pin function but they are internally interpreted as if S1=0 and S2=0. S0, however, is a control-pin which in the default mode switches all outputs ON or OFF (as previously predefined).

## SDA/SCL SERIAL INTERFACE

The CDCE937/CDCEL937 operates as a slave device of the 2-wire serial SDA/SCL bus, compatible with the popular SMBus or I<sup>2</sup>C specification. It operates in the standard-mode transfer (up to 100kbit/s) and fast-mode transfer (up to 400kbit/s) and supports 7-bit addressing.

The S1/SDA and S2/SCL pins of the CDC9xx are dual function pins. In the default configuration they are used as SDA/SCL serial programming interface. They can be re-programmed as general purpose control pins, S1 and S2, by changing the corresponding EEPROM setting, Byte 02, Bit [6].

## DATA PROTOCOL

The device supports *Byte Write and Byte Read* and *Block Write and Block Read* operations.

For *Byte Write/Read* operations, the system controller can individually access addressed bytes.

For *Block Write/Read* operations, the bytes are accessed in sequential order from lowest to highest byte (with most significant bit first) with the ability to stop after any complete byte has been transferred. The numbers of Bytes read-out are defined by Byte Count in the Generic Configuration Register. At Block Read instruction all bytes defined in the Byte Count has to be readout to correctly finish the read cycle.

Once a byte has been sent, it is written into the internal register and is effective immediately. This applies to each transferred byte independent of whether this is a *Byte Write* or a *Block Write* sequence.

If the EEPROM Write Cycle is initiated, the internal SDA register contents are written into the EEPROM. During this write cycle, data is not accepted at the SDA/SCL bus until the write cycle is completed. However, data can be read during the programming sequence (Byte Read or Block Read). The programming status can be monitored by reading *EEPIP*, Byte 01–Bit [6].

The offset of the indexed byte is encoded in the command code, as described in [Table 5](#).

**Table 5. Slave Receiver Address (7 Bits)**

| DEVICE                  | A6       | A5       | A4       | A3       | A2       | A1 <sup>(1)</sup> | A0 <sup>(1)</sup> | R/ $\bar{W}$ |
|-------------------------|----------|----------|----------|----------|----------|-------------------|-------------------|--------------|
| CDCE913/CDCEL913        | 1        | 1        | 0        | 0        | 1        | 0                 | 1                 | 1/0          |
| CDCE925/CDCEL925        | 1        | 1        | 0        | 0        | 1        | 0                 | 0                 | 1/0          |
| <b>CDCE937/CDCEL937</b> | <b>1</b> | <b>1</b> | <b>0</b> | <b>1</b> | <b>1</b> | <b>0</b>          | <b>1</b>          | <b>1/0</b>   |
| CDCE949/CDCEL949        | 1        | 1        | 0        | 1        | 1        | 0                 | 0                 | 1/0          |

(1) Address bits A0 and A1 are programmable via the SDA/SCL bus (Byte 01, Bit [1:0]). This allows addressing up to 4 devices connected to the same SDA/SCL bus. The least-significant bit of the address byte designates a write or read operation.

## COMMAND CODE DEFINITION

**Table 6. Command Code Definition**

| BIT   | DESCRIPTION  |
|-------|--|
| 7     | 0 = <i>Block Read</i> or <i>Block Write</i> operation<br>1 = <i>Byte Read</i> or <i>Byte Write</i> operation |
| (6:0) | Byte Offset for <i>Byte Read</i> , <i>Block Read</i> , <i>Byte Write</i> and <i>Block Write</i> operation.   |

### Generic Programming Sequence

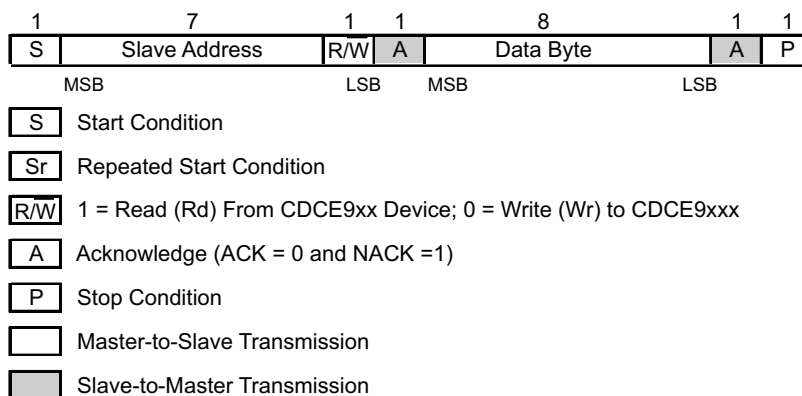


Figure 7. Generic Programming Sequence

### Byte Write Programming Sequence

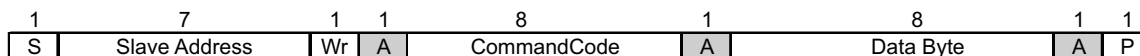


Figure 8. Byte Write Protocol

### Byte Read Programming Sequence

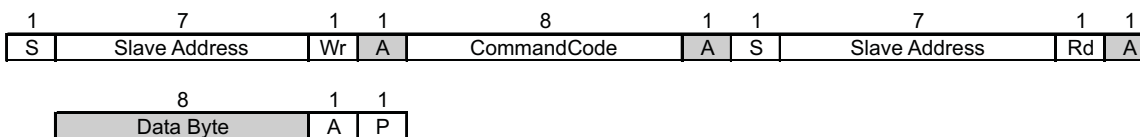
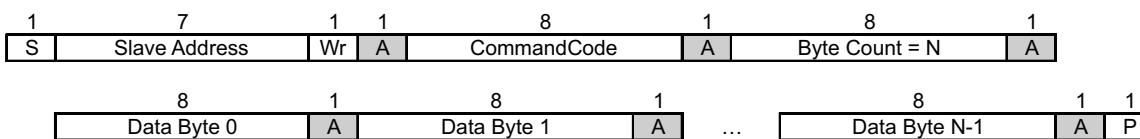


Figure 9. Byte Read Protocol

### Block Write Programming Sequence



- (1) Data byte 0 bits [7:0] is reserved for Revision Code and Vendor Identification. Also, it is used for internal test purpose and should not be overwritten.

Figure 10. Block Write Protocol

### Block Read Programming Sequence

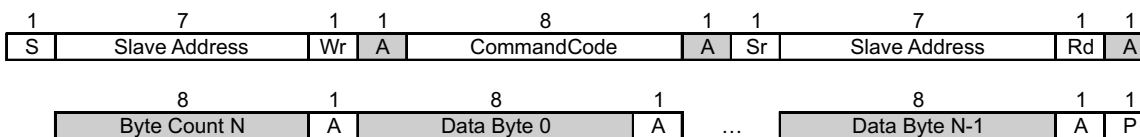


Figure 11. Block Read Protocol

### Timing Diagram for the SDA/SCL Serial Control Interface

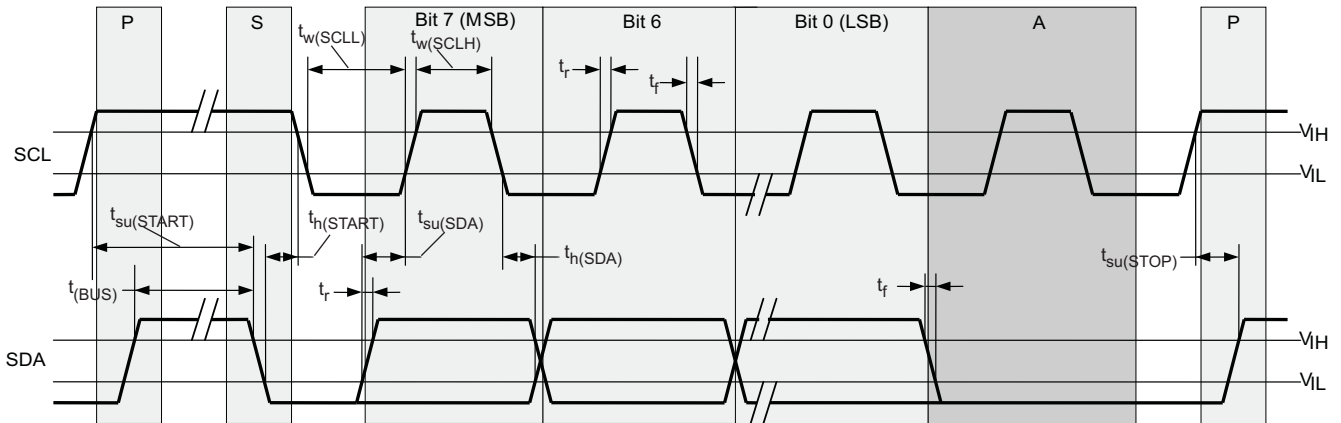


Figure 12. Timing Diagram for SDA/SCL Serial Control Interface

### SDA/SCL HARDWARE INTERFACE

Figure 13 shows how the CDCE937/CDCEL937 clock synthesizer is connected to the SDA/SCL serial interface bus. Multiple devices can be connected to the bus but the speed may need to be reduced (400 kHz is the maximum) if many devices are connected.

Note that the pullup resistors ( $R_p$ ) depends on the supply voltage, bus capacitance, and number of connected devices. The recommended pullup value is 4.7 k $\Omega$ . It must meet the minimum sink current of 3 mA at  $V_{OLmax} = 0.4$  V for the output stages (for more details see SMBus or I<sup>2</sup>C Bus specification).

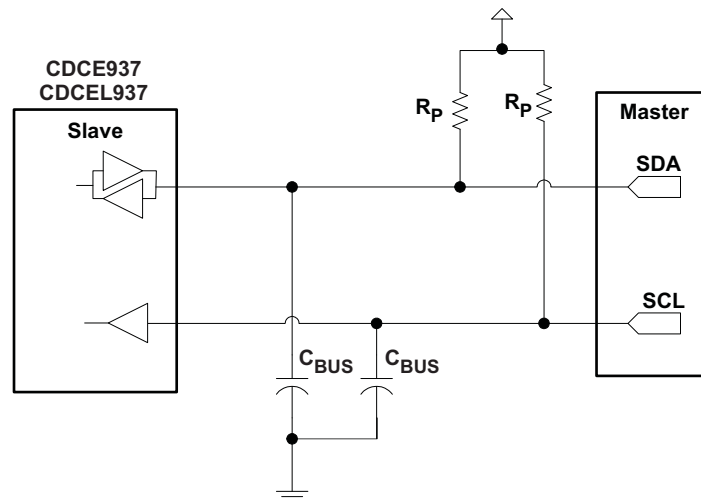


Figure 13. SDA / SCL Hardware Interface

## SDA/SCL CONFIGURATION REGISTERS

The clock input, control pins, PLLs, and output stages are user configurable. The following tables and explanations describe the programmable functions of the CDCE937/CDCEL937. All settings can be manually written into the device via the SDA/SCL bus or easily programmed by using the TI Pro-Clock™ software. TI Pro-Clock™ software allows the user to quickly make all settings and automatically calculates the values for optimized performance at lowest jitter.

**Table 7. SDA/SCL Registers**

| Address Offset | Register Description           | Table                    |
|----------------|--------------------------------|--------------------------|
| 00h            | Generic Configuration Register | <a href="#">Table 9</a>  |
| 10h            | PLL1 Configuration Register    | <a href="#">Table 10</a> |
| 20h            | PLL2 Configuration Register    | <a href="#">Table 11</a> |
| 30h            | PLL3 Configuration Register    | <a href="#">Table 12</a> |

The grey-highlighted bits, described in the Configuration Registers tables in the following pages, belong to the Control Terminal Register. The user can predefine up to eight different control settings. These settings then can be selected by the external control pins, S0, S1, and S2 (see the *Control Terminal Configuration* section).

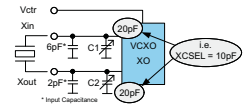
**Table 8. Configuration Register, External Control Terminals**

|   | External Control Pins         |     |      | Y1               | PLL1 Settings   |               |                  | PLL2 Settings   |               |                  | PLL3 Settings   |               |                  |
|---|-------------------------------|-----|------|------------------|-----------------|---------------|------------------|-----------------|---------------|------------------|-----------------|---------------|------------------|
|   | S2                            | S1  | S0   | Output Selection | Freq. Selection | SSC Selection | Output Selection | Freq. Selection | SSC Selection | Output Selection | Freq. Selection | SSC Selection | Output Selection |
|   | Y1                            | FS1 | SSC1 | Y2Y3             | FS2             | SSC2          | Y4Y5             | FS3             | SSC3          | Y6Y7             |                 |               |                  |
| 0 | 0                             | 0   | 0    | Y1_0             | FS1_0           | SSC1_0        | Y2Y3_0           | FS2_0           | SSC2_0        | Y4Y5_0           | FS3_0           | SSC3_0        | Y6Y7_0           |
| 1 | 0                             | 0   | 1    | Y1_1             | FS1_1           | SSC1_1        | Y2Y3_1           | FS2_1           | SSC2_1        | Y4Y5_1           | FS3_1           | SSC3_1        | Y6Y7_1           |
| 2 | 0                             | 1   | 0    | Y1_2             | FS1_2           | SSC1_2        | Y2Y3_2           | FS2_2           | SSC2_2        | Y4Y5_2           | FS3_2           | SSC3_2        | Y6Y7_2           |
| 3 | 0                             | 1   | 1    | Y1_3             | FS1_3           | SSC1_3        | Y2Y3_3           | FS2_3           | SSC2_3        | Y4Y5_3           | FS3_3           | SSC3_3        | Y6Y7_3           |
| 4 | 1                             | 0   | 0    | Y1_4             | FS1_4           | SSC1_4        | Y2Y3_4           | FS2_4           | SSC2_4        | Y4Y5_4           | FS3_4           | SSC3_4        | Y6Y7_4           |
| 5 | 1                             | 0   | 1    | Y1_5             | FS1_5           | SSC1_5        | Y2Y3_5           | FS2_5           | SSC2_5        | Y4Y5_5           | FS3_5           | SSC3_5        | Y6Y7_5           |
| 6 | 1                             | 1   | 0    | Y1_6             | FS1_6           | SSC1_6        | Y2Y3_6           | FS2_6           | SSC2_6        | Y4Y5_6           | FS3_6           | SSC3_6        | Y6Y7_6           |
| 7 | 1                             | 1   | 1    | Y1_7             | FS1_7           | SSC1_7        | Y2Y3_7           | FS2_7           | SSC2_7        | Y4Y5_7           | FS3_7           | SSC3_7        | Y6Y7_7           |
|   | Address Offset <sup>(1)</sup> |     |      | 04h              | 13h             | 10h–12h       | 15h              | 23h             | 20h–22h       | 25h              | 33h             | 30h–32h       | 35h              |

(1) Address Offset refers to the byte address in the Configuration Register in the following pages.

Table 9. Generic Configuration Register

| Offset <sup>(1)</sup> | Bit <sup>(2)</sup> | Acronym     | Default <sup>(3)</sup> | Description   |
|-----------------------|--------------------|-------------|------------------------|---|
| 00h                   | 7                  | E_EL        | Xb                     | Device identification (read-only): 1 is CDCE937 (3.3 V), 0 is CDCEL937 (1.8 V)  |
|                       | 6:4                | RID         | Xb                     | Revision Identification Number (read only)  |
|                       | 3:0                | VID         | 1h                     | Vendor Identification Number (read only)  |
| 01h                   | 7                  | –           | 0b                     | Reserved – always write 0   |
|                       | 6                  | EEPIP       | 0b                     | EEPROM Programming Status: <sup>(4)</sup> (read only)<br>0 – EEPROM programming is completed<br>1 – EEPROM is in programming mode   |
|                       | 5                  | EELOCK      | 0b                     | Permanently Lock EEPROM Data <sup>(5)</sup><br>0 – EEPROM is not locked<br>1 – EEPROM will be permanently locked  |
|                       | 4                  | PWDN        | 0b                     | Device Power Down (overwrites S0/S1/S2 setting; configuration register settings are unchanged)<br>Note: PWDN cannot be set to 1 in the EEPROM.<br>0 – device active (PLL1 and all outputs are enabled)<br>1 – device power down (PLL1 in power down and all outputs in 3-state) |
|                       | 3:2                | INCLK       | 00b                    | Input clock selection: 00 – Xtal 01 – VCXO 10 – LVCMOS 11 – reserved  |
|                       | 1:0                | SLAVE_ADR   | 01b                    | Programmable Address Bits A0 and A1 of the Slave Receiver Address   |
| 02h                   | 7                  | M1          | 1b                     | Clock source selection for output Y1: 0 – input clock 1 – PLL1 clock  |
|                       | 6                  | SPICON      | 0b                     | Operation mode selection for pin 18/19 <sup>(6)</sup><br>0 – serial programming interface SDA (pin 19) and SCL (pin 18)<br>1 – control pins S1 (pin 19) and S2 (pin 18)   |
|                       | 5:4                | Y1_ST1      | 11b                    | Y1-State0/1 Definition  |
|                       | 3:2                | Y1_ST0      | 01b                    | 00 – device power down (all PLLs in power down and all outputs in 3-State)<br>01 – Y1 disabled to 3-state<br>10 – Y1 disabled to low<br>11 – Y1 enabled   |
|                       | 1:0                | Pdiv1 [9:8] | 001h                   | 10-Bit Y1-Output-Divider Pdiv1:<br>0 – divider reset and stand-by<br>1-to-1023 – divider value  |
| 03h                   | 7:0                | Pdiv1 [7:0] |                        |   |
| 04h                   | 7                  | Y1_7        | 0b                     | Y1_ST0/Y1_ST1 State Selection <sup>(7)</sup><br>0 – State0 (predefined by Y1_ST0)<br>1 – State1 (predefined by Y1_ST1)  |
|                       | 6                  | Y1_6        | 0b                     |   |
|                       | 5                  | Y1_5        | 0b                     |   |
|                       | 4                  | Y1_4        | 0b                     |   |
|                       | 3                  | Y1_3        | 0b                     |   |
|                       | 2                  | Y1_2        | 0b                     |   |
|                       | 1                  | Y1_1        | 1b                     |   |
|                       | 0                  | Y1_0        | 0b                     |   |
| 05h                   | 7:3                | XCSEL       | 0Ah                    | Crystal Load Capacitor Selection <sup>(8)</sup><br>00h → 0 pF<br>01h → 1 pF<br>02h → 2 pF<br>:<br>14h-to-1Fh → 20 pF  |
|                       | 2:0                |             | 0b                     | Reserved – do not write other than 0  |
| 06h                   | 7:1                | BCOUNT      | 40h                    | 7-Bit Byte Count (defines the number of bytes which will be sent from this device at the next Block Read transfer); <b>all</b> bytes have to be read out to correctly finish the read cycle.)   |
|                       | 0                  | EEWRITE     | 0b                     | Initiate EEPROM Write Cycle <sup>(4)</sup> (9)<br>0 – no EEPROM write cycle<br>1 – start EEPROM write cycle (internal configuration register is saved to the EEPROM)  |



- (1) Writing data beyond '40h' may affect device function.
- (2) All data transferred with the MSB first.
- (3) Unless customer-specific setting.
- (4) During EEPROM programming, no data is allowed to be sent to the device via the SDA/SCL bus until the programming sequence is completed. Data, however, can be read out during the programming sequence (Byte Read or Block Read).
- (5) If this bit is set to high in the EEPROM, the actual data in the EEPROM will be permanently locked. There is no further programming possible. Data, however can still be written via SDA/SCL bus to the internal register to change device function on the fly. But new data can no longer be saved to the EEPROM. EELOCK is effective only, if written into the EEPROM!
- (6) Selection of "control pins" is effective only if written into the EEPROM. Once written into the EEPROM, the serial programming pins are no longer available. However, if V<sub>DDOUT</sub> is forced to GND, the two control pins, S1 and S2, temporarily act as serial programming pins (SDA/SCL), and the two slave receiver address bits are reset to A0="0" and A1="0".
- (7) These are the bits of the Control Terminal Register. The user can predefine up to eight different control settings. These settings then can be selected by the external control pins, S0, S1, and S2.
- (8) The internal load capacitor (C1, C2) has to be used to achieve the best clock performance. External capacitors should be used only to finely adjust C<sub>L</sub> by a few pF's. The value of C<sub>L</sub> can be programmed with a resolution of 1 pF for a crystal load range of 0 pF to 20 pF. For C<sub>L</sub> > 20 pF, use additional external capacitors. Also, the value of the device input capacitance has to be considered which always adds 1.5 pF (6 pF//2 pF) to the selected C<sub>L</sub>. For more information about VCXO configuration and crystal recommendation, see application report [SCAA085](#).
- (9) Note: The EEPROM WRITE bit must be sent last. This ensures that the content of all internal registers are stored in the EEPROM. The EEWRITE cycle is initiated with the rising edge of the EEWRITE bit. A static level high does not trigger an EEPROM WRITE cycle. The EEWRITE bit has to be reset to low after the programming is completed. The programming status can be monitored by reading out EEPIP. If EELOCK is set to high, no EEPROM programming is possible.



**Table 9. Generic Configuration Register (continued)**

| Offset <sup>(1)</sup> | Bit <sup>(2)</sup> | Acronym | Default <sup>(3)</sup> | Description          |
|-----------------------|--------------------|---------|------------------------|----------------------|
| 07h-0Fh               |                    | —       | 0h                     | Unused address range |

**Table 10. PLL1 Configuration Register**

| OFFSET <sup>(1)</sup> | Bit <sup>(2)</sup> | Acronym       | Default <sup>(3)</sup> | DESCRIPTION   |             |               |           |           |             |             |            |            |             |             |            |            |             |             |            |            |            |            |
|-----------------------|--------------------|---------------|------------------------|---|-------------|---------------|-----------|-----------|-------------|-------------|------------|------------|-------------|-------------|------------|------------|-------------|-------------|------------|------------|------------|------------|
| 10h                   | 7:5                | SSC1_7 [2:0]  | 000b                   | SSC1: PLL1 SSC Selection (Modulation Amount) <sup>(4)</sup><br><br><table border="0"> <tr> <td><b>Down</b></td> <td><b>Center</b></td> </tr> <tr> <td>000 (off)</td> <td>000 (off)</td> </tr> <tr> <td>001 – 0.25%</td> <td>001 ± 0.25%</td> </tr> <tr> <td>010 – 0.5%</td> <td>010 ± 0.5%</td> </tr> <tr> <td>011 – 0.75%</td> <td>011 ± 0.75%</td> </tr> <tr> <td>100 – 1.0%</td> <td>100 ± 1.0%</td> </tr> <tr> <td>101 – 1.25%</td> <td>101 ± 1.25%</td> </tr> <tr> <td>110 – 1.5%</td> <td>110 ± 1.5%</td> </tr> <tr> <td>111 – 2.0%</td> <td>111 ± 2.0%</td> </tr> </table> | <b>Down</b> | <b>Center</b> | 000 (off) | 000 (off) | 001 – 0.25% | 001 ± 0.25% | 010 – 0.5% | 010 ± 0.5% | 011 – 0.75% | 011 ± 0.75% | 100 – 1.0% | 100 ± 1.0% | 101 – 1.25% | 101 ± 1.25% | 110 – 1.5% | 110 ± 1.5% | 111 – 2.0% | 111 ± 2.0% |
|                       | <b>Down</b>        | <b>Center</b> |                        |   |             |               |           |           |             |             |            |            |             |             |            |            |             |             |            |            |            |            |
|                       | 000 (off)          | 000 (off)     |                        |   |             |               |           |           |             |             |            |            |             |             |            |            |             |             |            |            |            |            |
| 001 – 0.25%           | 001 ± 0.25%        |               |                        |   |             |               |           |           |             |             |            |            |             |             |            |            |             |             |            |            |            |            |
| 010 – 0.5%            | 010 ± 0.5%         |               |                        |   |             |               |           |           |             |             |            |            |             |             |            |            |             |             |            |            |            |            |
| 011 – 0.75%           | 011 ± 0.75%        |               |                        |   |             |               |           |           |             |             |            |            |             |             |            |            |             |             |            |            |            |            |
| 100 – 1.0%            | 100 ± 1.0%         |               |                        |   |             |               |           |           |             |             |            |            |             |             |            |            |             |             |            |            |            |            |
| 101 – 1.25%           | 101 ± 1.25%        |               |                        |   |             |               |           |           |             |             |            |            |             |             |            |            |             |             |            |            |            |            |
| 110 – 1.5%            | 110 ± 1.5%         |               |                        |   |             |               |           |           |             |             |            |            |             |             |            |            |             |             |            |            |            |            |
| 111 – 2.0%            | 111 ± 2.0%         |               |                        |   |             |               |           |           |             |             |            |            |             |             |            |            |             |             |            |            |            |            |
| 4:2                   | SSC1_6 [2:0]       | 000b          |                        |   |             |               |           |           |             |             |            |            |             |             |            |            |             |             |            |            |            |            |
| 1:0                   | SSC1_5 [2:1]       | 000b          |                        |   |             |               |           |           |             |             |            |            |             |             |            |            |             |             |            |            |            |            |
| 11h                   | 7                  |               | SSC1_5 [0]             |   |             |               |           |           |             |             |            |            |             |             |            |            |             |             |            |            |            |            |
|                       | 6:4                | SSC1_4 [2:0]  | 000b                   |   |             |               |           |           |             |             |            |            |             |             |            |            |             |             |            |            |            |            |
|                       | 3:1                | SSC1_3 [2:0]  | 000b                   |   |             |               |           |           |             |             |            |            |             |             |            |            |             |             |            |            |            |            |
| 12h                   | 0                  | SSC1_2 [2]    | 000b                   |   |             |               |           |           |             |             |            |            |             |             |            |            |             |             |            |            |            |            |
|                       | 7:6                | SSC1_2 [1:0]  |                        |   |             |               |           |           |             |             |            |            |             |             |            |            |             |             |            |            |            |            |
|                       | 5:3                | SSC1_1 [2:0]  |                        | 000b  |             |               |           |           |             |             |            |            |             |             |            |            |             |             |            |            |            |            |
|                       | 2:0                | SSC1_0 [2:0]  | 000b                   |   |             |               |           |           |             |             |            |            |             |             |            |            |             |             |            |            |            |            |
| 13h                   | 7                  | FS1_7         | 0b                     | FS1_x: PLL1 Frequency Selection <sup>(4)</sup><br><br>0 – f <sub>VCO1_0</sub> (predefined by PLL1_0 – Multiplier/Divider value)<br>1 – f <sub>VCO1_1</sub> (predefined by PLL1_1 – Multiplier/Divider value)  |             |               |           |           |             |             |            |            |             |             |            |            |             |             |            |            |            |            |
|                       | 6                  | FS1_6         | 0b                     |   |             |               |           |           |             |             |            |            |             |             |            |            |             |             |            |            |            |            |
|                       | 5                  | FS1_5         | 0b                     |   |             |               |           |           |             |             |            |            |             |             |            |            |             |             |            |            |            |            |
|                       | 4                  | FS1_4         | 0b                     |   |             |               |           |           |             |             |            |            |             |             |            |            |             |             |            |            |            |            |
|                       | 3                  | FS1_3         | 0b                     |   |             |               |           |           |             |             |            |            |             |             |            |            |             |             |            |            |            |            |
|                       | 2                  | FS1_2         | 0b                     |   |             |               |           |           |             |             |            |            |             |             |            |            |             |             |            |            |            |            |
|                       | 1                  | FS1_1         | 0b                     |   |             |               |           |           |             |             |            |            |             |             |            |            |             |             |            |            |            |            |
|                       | 0                  | FS1_0         | 0b                     |   |             |               |           |           |             |             |            |            |             |             |            |            |             |             |            |            |            |            |
| 14h                   | 7                  | MUX1          | 1b                     | PLL1 Multiplexer: 0 – PLL1<br>1 – PLL1 Bypass (PLL1 is in power down)   |             |               |           |           |             |             |            |            |             |             |            |            |             |             |            |            |            |            |
|                       | 6                  | M2            | 1b                     | Output Y2 Multiplexer: 0 – Pdiv1<br>1 – Pdiv2   |             |               |           |           |             |             |            |            |             |             |            |            |             |             |            |            |            |            |
|                       | 5:4                | M3            | 10b                    | Output Y3 Multiplexer: 00 – Pdiv1-Divider<br>01 – Pdiv2-Divider<br>10 – Pdiv3-Divider<br>11 – reserved  |             |               |           |           |             |             |            |            |             |             |            |            |             |             |            |            |            |            |
|                       | 3:2                | Y2Y3_ST1      | 11b                    | Y2, Y3-State0/1 definition: 00 – Y2/Y3 disabled to 3-State (PLL1 is in power down)<br>01 – Y2/Y3 disabled to 3-State<br>10 – Y2/Y3 disabled to low<br>11 – Y2/Y3 enabled  |             |               |           |           |             |             |            |            |             |             |            |            |             |             |            |            |            |            |
|                       | 1:0                | Y2Y3_ST0      | 01b                    |   |             |               |           |           |             |             |            |            |             |             |            |            |             |             |            |            |            |            |
| 15h                   | 7                  | Y2Y3_7        | 0b                     | Y2Y3_x Output State Selection <sup>(4)</sup><br><br>0 – state0 (predefined by Y2Y3_ST0)<br>1 – state1 (predefined by Y2Y3_ST1)  |             |               |           |           |             |             |            |            |             |             |            |            |             |             |            |            |            |            |
|                       | 6                  | Y2Y3_6        | 0b                     |   |             |               |           |           |             |             |            |            |             |             |            |            |             |             |            |            |            |            |
|                       | 5                  | Y2Y3_5        | 0b                     |   |             |               |           |           |             |             |            |            |             |             |            |            |             |             |            |            |            |            |
|                       | 4                  | Y2Y3_4        | 0b                     |   |             |               |           |           |             |             |            |            |             |             |            |            |             |             |            |            |            |            |
|                       | 3                  | Y2Y3_3        | 0b                     |   |             |               |           |           |             |             |            |            |             |             |            |            |             |             |            |            |            |            |
|                       | 2                  | Y2Y3_2        | 0b                     |   |             |               |           |           |             |             |            |            |             |             |            |            |             |             |            |            |            |            |
|                       | 1                  | Y2Y3_1        | 1b                     |   |             |               |           |           |             |             |            |            |             |             |            |            |             |             |            |            |            |            |
|                       | 0                  | Y2Y3_0        | 0b                     |   |             |               |           |           |             |             |            |            |             |             |            |            |             |             |            |            |            |            |

(1) Writing data beyond 40h may adversely affect device function.

(2) All data is transferred MSB-first.

(3) Unless a custom setting is used

(4) The user can predefine up to eight different control settings. In normal device operation, these settings can be selected by the external control pins, S0, S1, and S2.

**Table 10. PLL1 Configuration Register (continued)**

| OFFSET <sup>(1)</sup> | Bit <sup>(2)</sup> | Acronym        | Default <sup>(3)</sup> | DESCRIPTION  |      |
|-----------------------|--------------------|----------------|------------------------|--|------|
| 16h                   | 7                  | SSC1DC         | 0b                     | PLL1 SSC down/center selection: 0 – down 1 – center  |      |
|                       | 6:0                | Pdiv2          | 01h                    | 7-Bit Y2-Output-Divider Pdiv2: 0 – reset and stand-by 1-to-127 is divider value  |      |
| 17h                   | 7                  | —              | 0b                     | Reserved – do not write others than 0  |      |
|                       | 6:0                | Pdiv3          | 01h                    | 7-Bit Y3-Output-Divider Pdiv3: 0 – reset and stand-by 1-to-127 is divider value  |      |
| 18h                   | 7:0                | PLL1_0N [11:4] | 004h                   | PLL1_0: 30-Bit Multiplier/Divider value for frequency $f_{VCO1_0}$<br>(for more information, see paragraph <i>PLL Multiplier/Divider Definition</i> ).   |      |
| 19h                   | 7:4                | PLL1_0N [3:0]  |                        |  |      |
|                       | 3:0                | PLL1_0R [8:5]  |                        |  | 000h |
| 1Ah                   | 7:3                | PLL1_0R[4:0]   |                        |  | 10h  |
|                       | 2:0                | PLL1_0Q [5:3]  |                        |  |      |
| 1Bh                   | 7:5                | PLL1_0Q [2:0]  |                        |  | 010b |
|                       | 4:2                | PLL1_0P [2:0]  |                        |  |      |
|                       | 1:0                | VCO1_0_RANGE   | 00b                    | $f_{VCO1_0}$ range selection:<br>00 – $f_{VCO1_0} < 125$ MHz<br>01 – $125 \text{ MHz} \leq f_{VCO1_0} < 150$ MHz<br>10 – $150 \text{ MHz} \leq f_{VCO1_0} < 175$ MHz<br>11 – $f_{VCO1_0} \geq 175$ MHz |      |
| 1Ch                   | 7:0                | PLL1_1N [11:4] | 004h                   | PLL1_1: 30-Bit Multiplier/Divider value for frequency $f_{VCO1_1}$<br>(for more information see paragraph <i>PLL Multiplier/Divider Definition</i> )   |      |
| 1Dh                   | 7:4                | PLL1_1N [3:0]  |                        |  |      |
|                       | 3:0                | PLL1_1R [8:5]  |                        |  | 000h |
| 1Eh                   | 7:3                | PLL1_1R[4:0]   |                        |  | 10h  |
|                       | 2:0                | PLL1_1Q [5:3]  |                        |  |      |
| 1Fh                   | 7:5                | PLL1_1Q [2:0]  |                        |  | 010b |
|                       | 4:2                | PLL1_1P [2:0]  |                        |  |      |
|                       | 1:0                | VCO1_1_RANGE   | 00b                    | $f_{VCO1_1}$ range selection:<br>00 – $f_{VCO1_1} < 125$ MHz<br>01 – $125 \text{ MHz} \leq f_{VCO1_1} < 150$ MHz<br>10 – $150 \text{ MHz} \leq f_{VCO1_1} < 175$ MHz<br>11 – $f_{VCO1_1} \geq 175$ MHz |      |

**Table 11. PLL2 Configuration Register**

| OFFSET <sup>(1)</sup> | Bit <sup>(2)</sup> | Acronym       | Default <sup>(3)</sup> | DESCRIPTION   |             |               |           |           |             |             |            |            |             |             |            |            |             |             |            |            |            |            |
|-----------------------|--------------------|---------------|------------------------|---|-------------|---------------|-----------|-----------|-------------|-------------|------------|------------|-------------|-------------|------------|------------|-------------|-------------|------------|------------|------------|------------|
| 20h                   | 7:5                | SSC2_7 [2:0]  | 000b                   | SSC2: PLL2 SSC Selection (Modulation Amount) <sup>(4)</sup><br><br><table border="0"> <tr> <td><b>Down</b></td> <td><b>Center</b></td> </tr> <tr> <td>000 (off)</td> <td>000 (off)</td> </tr> <tr> <td>001 – 0.25%</td> <td>001 ± 0.25%</td> </tr> <tr> <td>010 – 0.5%</td> <td>010 ± 0.5%</td> </tr> <tr> <td>011 – 0.75%</td> <td>011 ± 0.75%</td> </tr> <tr> <td>100 – 1.0%</td> <td>100 ± 1.0%</td> </tr> <tr> <td>101 – 1.25%</td> <td>101 ± 1.25%</td> </tr> <tr> <td>110 – 1.5%</td> <td>110 ± 1.5%</td> </tr> <tr> <td>111 – 2.0%</td> <td>111 ± 2.0%</td> </tr> </table> | <b>Down</b> | <b>Center</b> | 000 (off) | 000 (off) | 001 – 0.25% | 001 ± 0.25% | 010 – 0.5% | 010 ± 0.5% | 011 – 0.75% | 011 ± 0.75% | 100 – 1.0% | 100 ± 1.0% | 101 – 1.25% | 101 ± 1.25% | 110 – 1.5% | 110 ± 1.5% | 111 – 2.0% | 111 ± 2.0% |
|                       | <b>Down</b>        | <b>Center</b> |                        |   |             |               |           |           |             |             |            |            |             |             |            |            |             |             |            |            |            |            |
|                       | 000 (off)          | 000 (off)     |                        |   |             |               |           |           |             |             |            |            |             |             |            |            |             |             |            |            |            |            |
| 001 – 0.25%           | 001 ± 0.25%        |               |                        |   |             |               |           |           |             |             |            |            |             |             |            |            |             |             |            |            |            |            |
| 010 – 0.5%            | 010 ± 0.5%         |               |                        |   |             |               |           |           |             |             |            |            |             |             |            |            |             |             |            |            |            |            |
| 011 – 0.75%           | 011 ± 0.75%        |               |                        |   |             |               |           |           |             |             |            |            |             |             |            |            |             |             |            |            |            |            |
| 100 – 1.0%            | 100 ± 1.0%         |               |                        |   |             |               |           |           |             |             |            |            |             |             |            |            |             |             |            |            |            |            |
| 101 – 1.25%           | 101 ± 1.25%        |               |                        |   |             |               |           |           |             |             |            |            |             |             |            |            |             |             |            |            |            |            |
| 110 – 1.5%            | 110 ± 1.5%         |               |                        |   |             |               |           |           |             |             |            |            |             |             |            |            |             |             |            |            |            |            |
| 111 – 2.0%            | 111 ± 2.0%         |               |                        |   |             |               |           |           |             |             |            |            |             |             |            |            |             |             |            |            |            |            |
| 4:2                   | SSC2_6 [2:0]       | 000b          |                        |   |             |               |           |           |             |             |            |            |             |             |            |            |             |             |            |            |            |            |
| 1:0                   | SSC2_5 [2:1]       | 000b          |                        |   |             |               |           |           |             |             |            |            |             |             |            |            |             |             |            |            |            |            |
| 7                     | SSC2_5 [0]         |               |                        |   |             |               |           |           |             |             |            |            |             |             |            |            |             |             |            |            |            |            |
| 21h                   | 6:4                | SSC2_4 [2:0]  | 000b                   |   |             |               |           |           |             |             |            |            |             |             |            |            |             |             |            |            |            |            |
|                       | 3:1                | SSC2_3 [2:0]  | 000b                   |   |             |               |           |           |             |             |            |            |             |             |            |            |             |             |            |            |            |            |
|                       | 0                  | SSC2_2 [2]    | 000b                   |   |             |               |           |           |             |             |            |            |             |             |            |            |             |             |            |            |            |            |
| 7:6                   | SSC2_2 [1:0]       |               |                        |   |             |               |           |           |             |             |            |            |             |             |            |            |             |             |            |            |            |            |
| 22h                   | 5:3                | SSC2_1 [2:0]  | 000b                   |   |             |               |           |           |             |             |            |            |             |             |            |            |             |             |            |            |            |            |
|                       | 2:0                | SSC2_0 [2:0]  | 000b                   |   |             |               |           |           |             |             |            |            |             |             |            |            |             |             |            |            |            |            |
| 23h                   | 7                  | FS2_7         | 0b                     | FS2_x: PLL2 Frequency Selection <sup>(4)</sup><br><br>0 – $f_{VCO2,0}$ (predefined by PLL2_0 – Multiplier/Divider value)<br>1 – $f_{VCO2,1}$ (predefined by PLL2_1 – Multiplier/Divider value)  |             |               |           |           |             |             |            |            |             |             |            |            |             |             |            |            |            |            |
|                       | 6                  | FS2_6         | 0b                     |   |             |               |           |           |             |             |            |            |             |             |            |            |             |             |            |            |            |            |
|                       | 5                  | FS2_5         | 0b                     |   |             |               |           |           |             |             |            |            |             |             |            |            |             |             |            |            |            |            |
|                       | 4                  | FS2_4         | 0b                     |   |             |               |           |           |             |             |            |            |             |             |            |            |             |             |            |            |            |            |
|                       | 3                  | FS2_3         | 0b                     |   |             |               |           |           |             |             |            |            |             |             |            |            |             |             |            |            |            |            |
|                       | 2                  | FS2_2         | 0b                     |   |             |               |           |           |             |             |            |            |             |             |            |            |             |             |            |            |            |            |
|                       | 1                  | FS2_1         | 0b                     |   |             |               |           |           |             |             |            |            |             |             |            |            |             |             |            |            |            |            |
|                       | 0                  | FS2_0         | 0b                     |   |             |               |           |           |             |             |            |            |             |             |            |            |             |             |            |            |            |            |
| 24h                   | 7                  | MUX2          | 1b                     | PLL2 Multiplexer: 0 – PLL2<br>1 – PLL2 Bypass (PLL2 is in power down)   |             |               |           |           |             |             |            |            |             |             |            |            |             |             |            |            |            |            |
|                       | 6                  | M4            | 1b                     | Output Y4 Multiplexer: 0 – Pdiv2<br>1 – Pdiv4   |             |               |           |           |             |             |            |            |             |             |            |            |             |             |            |            |            |            |
|                       | 5:4                | M5            | 10b                    | Output Y5 Multiplexer: 00 – Pdiv2-Divider<br>01 – Pdiv4-Divider<br>10 – Pdiv5-Divider<br>11 – reserved  |             |               |           |           |             |             |            |            |             |             |            |            |             |             |            |            |            |            |
|                       | 3:2                | Y4Y5_ST1      | 11b                    | Y4, Y5-State0/1definition: 00 – Y4/Y5 disabled to 3-State (PLL2 is in power down)<br>01 – Y4/Y5 disabled to 3-State<br>10 – Y4/Y5 disabled to low<br>11 – Y4/Y5 enabled   |             |               |           |           |             |             |            |            |             |             |            |            |             |             |            |            |            |            |
|                       | 1:0                | Y4Y5_ST0      | 01b                    |   |             |               |           |           |             |             |            |            |             |             |            |            |             |             |            |            |            |            |
| 25h                   | 7                  | Y4Y5_7        | 0b                     | Y4Y5_x Output State Selection <sup>(4)</sup><br><br>0 – state0 (predefined by Y4Y5_ST0)<br>1 – state1 (predefined by Y4Y5_ST1)  |             |               |           |           |             |             |            |            |             |             |            |            |             |             |            |            |            |            |
|                       | 6                  | Y4Y5_6        | 0b                     |   |             |               |           |           |             |             |            |            |             |             |            |            |             |             |            |            |            |            |
|                       | 5                  | Y4Y5_5        | 0b                     |   |             |               |           |           |             |             |            |            |             |             |            |            |             |             |            |            |            |            |
|                       | 4                  | Y4Y5_4        | 0b                     |   |             |               |           |           |             |             |            |            |             |             |            |            |             |             |            |            |            |            |
|                       | 3                  | Y4Y5_3        | 0b                     |   |             |               |           |           |             |             |            |            |             |             |            |            |             |             |            |            |            |            |
|                       | 2                  | Y4Y5_2        | 0b                     |   |             |               |           |           |             |             |            |            |             |             |            |            |             |             |            |            |            |            |
|                       | 1                  | Y4Y5_1        | 1b                     |   |             |               |           |           |             |             |            |            |             |             |            |            |             |             |            |            |            |            |
|                       | 0                  | Y4Y5_0        | 0b                     |   |             |               |           |           |             |             |            |            |             |             |            |            |             |             |            |            |            |            |

(1) Writing data beyond 40h may adversely affect device function.

(2) All data is transferred MSB-first.

(3) Unless a custom setting is used

(4) The user can predefine up to eight different control settings. In normal device operation, these settings can be selected by the external control pins, S0, S1, and S2.

**Table 11. PLL2 Configuration Register (continued)**

| OFFSET <sup>(1)</sup> | Bit <sup>(2)</sup> | Acronym        | Default <sup>(3)</sup> | DESCRIPTION   |   |
|-----------------------|--------------------|----------------|------------------------|---|---|
| 26h                   | 7                  | SSC2DC         | 0b                     | PLL2 SSC down/center selection:<br>0 – down<br>1 – center   |   |
|                       | 6:0                | Pdiv4          | 01h                    | 7-Bit Y4-Output-Divider Pdiv4:<br>0 – reset and stand-by<br>1-to-127 – divider value  |   |
| 27h                   | 7                  | —              | 0b                     | Reserved – do not write others than 0   |   |
|                       | 6:0                | Pdiv5          | 01h                    | 7-Bit Y5-Output-Divider Pdiv5:<br>0 – reset and stand-by<br>1-to-127 – divider value  |   |
| 28h                   | 7:0                | PLL2_0N [11:4] | 004h                   | PLL2_0: 30-Bit Multiplier/Divider value for frequency $f_{VCO2\_0}$<br>(for more information see paragraph <i>PLL Multiplier/Divider Definition</i> ) |   |
| 29h                   | 7:4                | PLL2_0N [3:0]  |                        |   |   |
|                       | 3:0                | PLL2_0R [8:5]  | 000h                   |   |   |
| 2Ah                   | 7:3                | PLL2_0R[4:0]   | 10h                    |   |   |
|                       | 2:0                | PLL2_0Q [5:3]  |                        |   |   |
| 2Bh                   | 7:5                | PLL2_0Q [2:0]  | 010b                   |   |   |
|                       | 4:2                | PLL2_0P [2:0]  |                        |   |   |
|                       | 1:0                | VCO2_0_RANGE   |                        |   | 00b   |
| 2Ch                   | 7:0                | PLL2_1N [11:4] | 004h                   |   | PLL2_1: 30-Bit Multiplier/Divider value for frequency $f_{VCO2\_1}$<br>(for more information see paragraph <i>PLL Multiplier/Divider Definition</i> ) |
| 2Dh                   | 7:4                | PLL2_1N [3:0]  |                        |   |   |
|                       | 3:0                | PLL2_1R [8:5]  | 000h                   |   |   |
| 2Eh                   | 7:3                | PLL2_1R[4:0]   | 10h                    |   |   |
|                       | 2:0                | PLL2_1Q [5:3]  |                        |   |   |
| 2Fh                   | 7:5                | PLL2_1Q [2:0]  | 010b                   |   |   |
|                       | 4:2                | PLL2_1P [2:0]  |                        |   |   |
|                       | 1:0                | VCO2_1_RANGE   |                        | 00b   |   |

**Table 12. PLL3 Configuration Register**

| OFFSET <sup>(1)</sup> | Bit <sup>(2)</sup> | Acronym       | Default <sup>(3)</sup> | DESCRIPTION   |             |               |           |           |             |             |            |            |             |             |            |            |             |             |            |            |            |            |
|-----------------------|--------------------|---------------|------------------------|---|-------------|---------------|-----------|-----------|-------------|-------------|------------|------------|-------------|-------------|------------|------------|-------------|-------------|------------|------------|------------|------------|
| 30h                   | 7:5                | SSC3_7 [2:0]  | 000b                   | SSC3: PLL3 SSC Selection (Modulation Amount) <sup>(4)</sup><br><br><table border="0"> <tr> <td style="text-align: left;"><b>Down</b></td> <td style="text-align: left;"><b>Center</b></td> </tr> <tr> <td>000 (off)</td> <td>000 (off)</td> </tr> <tr> <td>001 – 0.25%</td> <td>001 ± 0.25%</td> </tr> <tr> <td>010 – 0.5%</td> <td>010 ± 0.5%</td> </tr> <tr> <td>011 – 0.75%</td> <td>011 ± 0.75%</td> </tr> <tr> <td>100 – 1.0%</td> <td>100 ± 1.0%</td> </tr> <tr> <td>101 – 1.25%</td> <td>101 ± 1.25%</td> </tr> <tr> <td>110 – 1.5%</td> <td>110 ± 1.5%</td> </tr> <tr> <td>111 – 2.0%</td> <td>111 ± 2.0%</td> </tr> </table> | <b>Down</b> | <b>Center</b> | 000 (off) | 000 (off) | 001 – 0.25% | 001 ± 0.25% | 010 – 0.5% | 010 ± 0.5% | 011 – 0.75% | 011 ± 0.75% | 100 – 1.0% | 100 ± 1.0% | 101 – 1.25% | 101 ± 1.25% | 110 – 1.5% | 110 ± 1.5% | 111 – 2.0% | 111 ± 2.0% |
|                       | <b>Down</b>        | <b>Center</b> |                        |   |             |               |           |           |             |             |            |            |             |             |            |            |             |             |            |            |            |            |
|                       | 000 (off)          | 000 (off)     |                        |   |             |               |           |           |             |             |            |            |             |             |            |            |             |             |            |            |            |            |
| 001 – 0.25%           | 001 ± 0.25%        |               |                        |   |             |               |           |           |             |             |            |            |             |             |            |            |             |             |            |            |            |            |
| 010 – 0.5%            | 010 ± 0.5%         |               |                        |   |             |               |           |           |             |             |            |            |             |             |            |            |             |             |            |            |            |            |
| 011 – 0.75%           | 011 ± 0.75%        |               |                        |   |             |               |           |           |             |             |            |            |             |             |            |            |             |             |            |            |            |            |
| 100 – 1.0%            | 100 ± 1.0%         |               |                        |   |             |               |           |           |             |             |            |            |             |             |            |            |             |             |            |            |            |            |
| 101 – 1.25%           | 101 ± 1.25%        |               |                        |   |             |               |           |           |             |             |            |            |             |             |            |            |             |             |            |            |            |            |
| 110 – 1.5%            | 110 ± 1.5%         |               |                        |   |             |               |           |           |             |             |            |            |             |             |            |            |             |             |            |            |            |            |
| 111 – 2.0%            | 111 ± 2.0%         |               |                        |   |             |               |           |           |             |             |            |            |             |             |            |            |             |             |            |            |            |            |
| 4:2                   | SSC3_6 [2:0]       | 000b          |                        |   |             |               |           |           |             |             |            |            |             |             |            |            |             |             |            |            |            |            |
| 1:0                   | SSC3_5 [2:1]       | 000b          |                        |   |             |               |           |           |             |             |            |            |             |             |            |            |             |             |            |            |            |            |
| 7                     | SSC3_5 [0]         |               |                        |   |             |               |           |           |             |             |            |            |             |             |            |            |             |             |            |            |            |            |
| 31h                   | 6:4                | SSC3_4 [2:0]  | 000b                   |   |             |               |           |           |             |             |            |            |             |             |            |            |             |             |            |            |            |            |
|                       | 3:1                | SSC3_3 [2:0]  | 000b                   |   |             |               |           |           |             |             |            |            |             |             |            |            |             |             |            |            |            |            |
|                       | 0                  | SSC3_2 [2]    | 000b                   |   |             |               |           |           |             |             |            |            |             |             |            |            |             |             |            |            |            |            |
| 7:6                   | SSC3_2 [1:0]       |               |                        |   |             |               |           |           |             |             |            |            |             |             |            |            |             |             |            |            |            |            |
| 32h                   | 5:3                | SSC3_1 [2:0]  | 000b                   |   |             |               |           |           |             |             |            |            |             |             |            |            |             |             |            |            |            |            |
|                       | 2:0                | SSC3_0 [2:0]  | 000b                   |   |             |               |           |           |             |             |            |            |             |             |            |            |             |             |            |            |            |            |
| 33h                   | 7                  | FS3_7         | 0b                     | FS3_x: PLL3 Frequency Selection <sup>(4)</sup><br><br>0 – $f_{VCO3\_0}$ (predefined by PLL3_0 – Multiplier/Divider value)<br>1 – $f_{VCO3\_1}$ (predefined by PLL3_1 – Multiplier/Divider value)  |             |               |           |           |             |             |            |            |             |             |            |            |             |             |            |            |            |            |
|                       | 6                  | FS3_6         | 0b                     |   |             |               |           |           |             |             |            |            |             |             |            |            |             |             |            |            |            |            |
|                       | 5                  | FS3_5         | 0b                     |   |             |               |           |           |             |             |            |            |             |             |            |            |             |             |            |            |            |            |
|                       | 4                  | FS3_4         | 0b                     |   |             |               |           |           |             |             |            |            |             |             |            |            |             |             |            |            |            |            |
|                       | 3                  | FS3_3         | 0b                     |   |             |               |           |           |             |             |            |            |             |             |            |            |             |             |            |            |            |            |
|                       | 2                  | FS3_2         | 0b                     |   |             |               |           |           |             |             |            |            |             |             |            |            |             |             |            |            |            |            |
|                       | 1                  | FS3_1         | 0b                     |   |             |               |           |           |             |             |            |            |             |             |            |            |             |             |            |            |            |            |
|                       | 0                  | FS3_0         | 0b                     |   |             |               |           |           |             |             |            |            |             |             |            |            |             |             |            |            |            |            |
| 34h                   | 7                  | MUX3          | 1b                     | PLL3 Multiplexer:<br>0 – PLL3<br>1 – PLL3 Bypass (PLL3 is in power down)  |             |               |           |           |             |             |            |            |             |             |            |            |             |             |            |            |            |            |
|                       | 6                  | M6            | 1b                     | Output Y6 Multiplexer:<br>0 – Pdiv4<br>1 – Pdiv6  |             |               |           |           |             |             |            |            |             |             |            |            |             |             |            |            |            |            |
|                       | 5:4                | M7            | 10b                    | Output Y7 Multiplexer:<br>00 – Pdiv4-Divider<br>01 – Pdiv6-Divider<br>10 – Pdiv7-Divider<br>11 – reserved   |             |               |           |           |             |             |            |            |             |             |            |            |             |             |            |            |            |            |
|                       | 3:2                | Y6Y7_ST1      | 11b                    | Y6,<br>Y7-State0/1definition:<br>00 – Y6/Y7 disabled to 3-State and PLL3 power down<br>01 – Y6/Y7 disabled to 3-State<br>10 – Y6/Y7 disabled to low<br>11 – Y6/Y7 enabled   |             |               |           |           |             |             |            |            |             |             |            |            |             |             |            |            |            |            |
|                       | 1:0                | Y6Y7_ST0      | 01b                    |   |             |               |           |           |             |             |            |            |             |             |            |            |             |             |            |            |            |            |
| 35h                   | 7                  | Y6Y7_7        | 0b                     | Y6Y7_x Output State Selection <sup>(4)</sup><br><br>0 – state0 (predefined by Y6Y7_ST0)<br>1 – state1 (predefined by Y6Y7_ST1)  |             |               |           |           |             |             |            |            |             |             |            |            |             |             |            |            |            |            |
|                       | 6                  | Y6Y7_6        | 0b                     |   |             |               |           |           |             |             |            |            |             |             |            |            |             |             |            |            |            |            |
|                       | 5                  | Y6Y7_5        | 0b                     |   |             |               |           |           |             |             |            |            |             |             |            |            |             |             |            |            |            |            |
|                       | 4                  | Y6Y7_4        | 0b                     |   |             |               |           |           |             |             |            |            |             |             |            |            |             |             |            |            |            |            |
|                       | 3                  | Y6Y7_3        | 0b                     |   |             |               |           |           |             |             |            |            |             |             |            |            |             |             |            |            |            |            |
|                       | 2                  | Y6Y7_2        | 0b                     |   |             |               |           |           |             |             |            |            |             |             |            |            |             |             |            |            |            |            |
|                       | 1                  | Y6Y7_1        | 1b                     |   |             |               |           |           |             |             |            |            |             |             |            |            |             |             |            |            |            |            |
|                       | 0                  | Y6Y7_0        | 0b                     |   |             |               |           |           |             |             |            |            |             |             |            |            |             |             |            |            |            |            |

(1) Writing data beyond 40h may affect device function.

(2) All data is transferred MSB-first.

(3) Unless a custom setting is used

(4) These are the bits of the *Control Terminal Register*. The user can pre-define up to eight different control settings. At normal device operation, these setting can be selected by the external control pins, S0, S1, and S2.

**Table 12. PLL3 Configuration Register (continued)**

| OFFSET <sup>(1)</sup> | Bit <sup>(2)</sup> | Acronym        | Default <sup>(3)</sup> | DESCRIPTION   |
|-----------------------|--------------------|----------------|------------------------|---|
| 36h                   | 7                  | SSC3DC         | 0b                     | PLL3 SSC down/center selection: 0 – down 1 – center   |
|                       | 6:0                | Pdiv6          | 01h                    | 7-Bit Y6-Output-Divider Pdiv6: 0 – reset and stand-by 1-to-127 – divider value  |
| 37h                   | 7                  | —              | 0b                     | Reserved – do not write others than 0   |
|                       | 6:0                | Pdiv7          | 01h                    | 7-Bit Y7-Output-Divider Pdiv7: 0 – reset and stand-by 1-to-127 – divider value  |
| 38h                   | 7:0                | PLL3_0N [11:4] | 004h                   | PLL3_0: 30-Bit Multiplier/Divider value for frequency $f_{VCO3\_0}$<br>(for more information see paragraph <i>PLL Multiplier/Divider Definition</i> )   |
| 39h                   | 7:4                | PLL3_0N [3:0]  |                        |   |
|                       | 3:0                | PLL3_0R [8:5]  |                        |   |
| 3Ah                   | 7:3                | PLL3_0R[4:0]   |                        |   |
|                       | 2:0                | PLL3_0Q [5:3]  |                        |   |
| 3Bh                   | 7:5                | PLL3_0Q [2:0]  |                        |   |
|                       | 4:2                | PLL3_0P [2:0]  | 010b                   | $f_{VCO3\_0}$ range selection:<br>00 – $f_{VCO3\_0} < 125$ MHz<br>01 – $125 \text{ MHz} \leq f_{VCO3\_0} < 150$ MHz<br>10 – $150 \text{ MHz} \leq f_{VCO3\_0} < 175$ MHz<br>11 – $f_{VCO3\_0} \geq 175$ MHz |
| 3Ch                   | 7:0                | PLL3_1N [11:4] | 004h                   | PLL3_1: 30-Bit Multiplier/Divider value for frequency $f_{VCO3\_1}$<br>(for more information see paragraph <i>PLL Multiplier/Divider Definition</i> )   |
| 3Dh                   | 7:4                | PLL3_1N [3:0]  |                        |   |
|                       | 3:0                | PLL3_1R [8:5]  |                        |   |
| 3Eh                   | 7:3                | PLL3_1R[4:0]   |                        |   |
|                       | 2:0                | PLL3_1Q [5:3]  |                        |   |
| 3Fh                   | 7:5                | PLL3_1Q [2:0]  |                        |   |
|                       | 4:2                | PLL3_1P [2:0]  | 010b                   | $f_{VCO3\_1}$ range selection:<br>00 – $f_{VCO3\_1} < 125$ MHz<br>01 – $125 \text{ MHz} \leq f_{VCO3\_1} < 150$ MHz<br>10 – $150 \text{ MHz} \leq f_{VCO3\_1} < 175$ MHz<br>11 – $f_{VCO3\_1} \geq 175$ MHz |
|                       | 1:0                | VCO3_1_RANGE   | 00b                    |   |

### PLL Multiplier/Divider Definition

At a given input frequency ( $f_{IN}$ ), the output frequency ( $f_{OUT}$ ) of the CDCE937/CDCEL937 can be calculated:

$$f_{OUT} = \frac{f_{IN}}{P_{div}} \times \frac{N}{M} \quad (1)$$

where

M (1 to 511) and N (1 to 4095) are the multiplier/divide values of the PLL;

Pdiv (1 to 127) is the output divider.

The target VCO frequency ( $f_{VCO}$ ) of each PLL can be calculated:

$$f_{VCO} = f_{IN} \times \frac{N}{M} \quad (2)$$

The PLL internally operates as fractional divider and needs the following multiplier/divider settings:

N

$$P = 4 - \text{int} \left( \log_2 \frac{N}{M} \right) \text{ [if } P < 0 \text{ then } P = 0]$$

$$Q = \text{int} \left( \frac{N'}{M} \right)$$

$$R = N' - M \times Q$$

where

$$N' = N \times 2^P$$

$$N \geq M$$

$$100 \text{ MHz} < f_{VCO} < 200 \text{ MHz}$$

#### Example:

for  $f_{IN} = 27 \text{ MHz}$ ;  $M = 1$ ;  $N = 4$ ;  $P_{div} = 2$ ;

$$\rightarrow f_{OUT} = 54 \text{ MHz}$$

$$\rightarrow f_{VCO} = 108 \text{ MHz}$$

$$\rightarrow P = 4 - \text{int}(\log_2 4) = 4 - 2 = 2$$

$$\rightarrow N' = 4 \times 2^2 = 16$$

$$\rightarrow Q = \text{int}(16) = 16$$

$$\rightarrow R = 16 - 16 = 0$$

for  $f_{IN} = 27 \text{ MHz}$ ;  $M = 2$ ;  $N = 11$ ;  $P_{div} = 2$ ;

$$\rightarrow f_{OUT} = 74.25 \text{ MHz}$$

$$\rightarrow f_{VCO} = 148.50 \text{ MHz}$$

$$\rightarrow P = 4 - \text{int}(\log_2 5.5) = 4 - 2 = 2$$

$$\rightarrow N' = 11 \times 2^2 = 44$$

$$\rightarrow Q = \text{int}(22) = 22$$

$$\rightarrow R = 44 - 44 = 0$$

The values for P, Q, R, and N' is automatically calculated when using TI Pro-Clock™ software.

**PACKAGING INFORMATION**

| Orderable Device | Status <sup>(1)</sup> | Package Type | Package Drawing | Pins | Package Qty | Eco Plan <sup>(2)</sup>    | Lead/<br>Ball Finish | MSL Peak Temp <sup>(3)</sup> | Samples<br>(Requires Login) |
|------------------|-----------------------|--------------|-----------------|------|-------------|----------------------------|----------------------|------------------------------|-----------------------------|
| CDCE937QPWRQ1    | ACTIVE                | TSSOP        | PW              | 20   | 2000        | Green (RoHS<br>& no Sb/Br) | CU NIPDAU            | Level-1-260C-UNLIM           |                             |
| CDCEL937QPWRQ1   | ACTIVE                | TSSOP        | PW              | 20   | 2000        | Green (RoHS<br>& no Sb/Br) | CU NIPDAU            | Level-1-260C-UNLIM           |                             |

<sup>(1)</sup> The marketing status values are defined as follows:

**ACTIVE:** Product device recommended for new designs.

**LIFEBUY:** TI has announced that the device will be discontinued, and a lifetime-buy period is in effect.

**NRND:** Not recommended for new designs. Device is in production to support existing customers, but TI does not recommend using this part in a new design.

**PREVIEW:** Device has been announced but is not in production. Samples may or may not be available.

**OBsolete:** TI has discontinued the production of the device.

<sup>(2)</sup> Eco Plan - The planned eco-friendly classification: Pb-Free (RoHS), Pb-Free (RoHS Exempt), or Green (RoHS & no Sb/Br) - please check <http://www.ti.com/productcontent> for the latest availability information and additional product content details.

**TBD:** The Pb-Free/Green conversion plan has not been defined.

**Pb-Free (RoHS):** TI's terms "Lead-Free" or "Pb-Free" mean semiconductor products that are compatible with the current RoHS requirements for all 6 substances, including the requirement that lead not exceed 0.1% by weight in homogeneous materials. Where designed to be soldered at high temperatures, TI Pb-Free products are suitable for use in specified lead-free processes.

**Pb-Free (RoHS Exempt):** This component has a RoHS exemption for either 1) lead-based flip-chip solder bumps used between the die and package, or 2) lead-based die adhesive used between the die and leadframe. The component is otherwise considered Pb-Free (RoHS compatible) as defined above.

**Green (RoHS & no Sb/Br):** TI defines "Green" to mean Pb-Free (RoHS compatible), and free of Bromine (Br) and Antimony (Sb) based flame retardants (Br or Sb do not exceed 0.1% by weight in homogeneous material)

<sup>(3)</sup> MSL, Peak Temp. -- The Moisture Sensitivity Level rating according to the JEDEC industry standard classifications, and peak solder temperature.

**Important Information and Disclaimer:** The information provided on this page represents TI's knowledge and belief as of the date that it is provided. TI bases its knowledge and belief on information provided by third parties, and makes no representation or warranty as to the accuracy of such information. Efforts are underway to better integrate information from third parties. TI has taken and continues to take reasonable steps to provide representative and accurate information but may not have conducted destructive testing or chemical analysis on incoming materials and chemicals. TI and TI suppliers consider certain information to be proprietary, and thus CAS numbers and other limited information may not be available for release.

In no event shall TI's liability arising out of such information exceed the total purchase price of the TI part(s) at issue in this document sold by TI to Customer on an annual basis.

**OTHER QUALIFIED VERSIONS OF CDCE937-Q1, CDCEL937-Q1 :**

- Catalog: [CDCE937](#), [CDCEL937](#)

NOTE: Qualified Version Definitions:



- Catalog - TI's standard catalog product

**TAPE AND REEL INFORMATION**
**REEL DIMENSIONS**

**TAPE DIMENSIONS**


|    |   |
|----|---|
| A0 | Dimension designed to accommodate the component width     |
| B0 | Dimension designed to accommodate the component length    |
| K0 | Dimension designed to accommodate the component thickness |
| W  | Overall width of the carrier tape                         |
| P1 | Pitch between successive cavity centers                   |

**TAPE AND REEL INFORMATION**

\*All dimensions are nominal

| Device         | Package Type | Package Drawing | Pins | SPQ  | Reel Diameter (mm) | Reel Width W1 (mm) | A0 (mm) | B0 (mm) | K0 (mm) | P1 (mm) | W (mm) | Pin1 Quadrant |
|----------------|--------------|-----------------|------|------|--------------------|--------------------|---------|---------|---------|---------|--------|---------------|
| CDCE937QPWRQ1  | TSSOP        | PW              | 20   | 2000 | 330.0              | 16.4               | 6.95    | 7.1     | 1.6     | 8.0     | 16.0   | Q1            |
| CDCEL937QPWRQ1 | TSSOP        | PW              | 20   | 2000 | 330.0              | 16.4               | 6.95    | 7.1     | 1.6     | 8.0     | 16.0   | Q1            |

**TAPE AND REEL BOX DIMENSIONS**


\*All dimensions are nominal

| Device         | Package Type | Package Drawing | Pins | SPQ  | Length (mm) | Width (mm) | Height (mm) |
|----------------|--------------|-----------------|------|------|-------------|------------|-------------|
| CDCE937QPWRQ1  | TSSOP        | PW              | 20   | 2000 | 367.0       | 367.0      | 38.0        |
| CDCEL937QPWRQ1 | TSSOP        | PW              | 20   | 2000 | 367.0       | 367.0      | 38.0        |

PW (R-PDSO-G20)

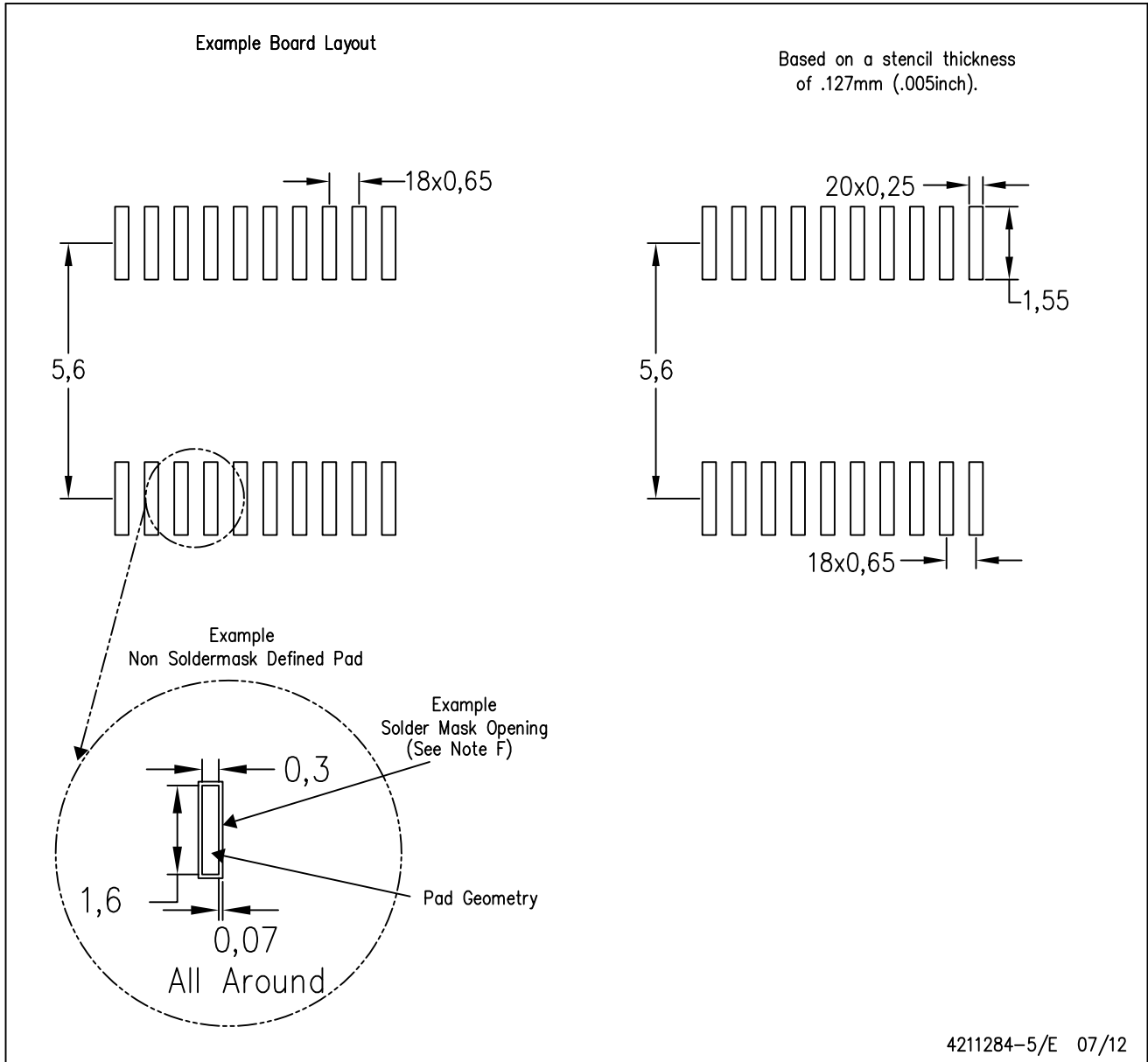
PLASTIC SMALL OUTLINE



- NOTES:
- A. All linear dimensions are in millimeters. Dimensioning and tolerancing per ASME Y14.5M-1994.
  - B. This drawing is subject to change without notice.
  - C. Body length does not include mold flash, protrusions, or gate burrs. Mold flash, protrusions, or gate burrs shall not exceed 0,15 each side.
  - D. Body width does not include interlead flash. Interlead flash shall not exceed 0,25 each side.
  - E. Falls within JEDEC MO-153

PW (R-PDSO-G20)

PLASTIC SMALL OUTLINE



- NOTES:
- A. All linear dimensions are in millimeters.
  - B. This drawing is subject to change without notice.
  - C. Publication IPC-7351 is recommended for alternate design.
  - D. Laser cutting apertures with trapezoidal walls and also rounding corners will offer better paste release. Customers should contact their board assembly site for stencil design recommendations. Refer to IPC-7525 for other stencil recommendations.
  - E. Customers should contact their board fabrication site for solder mask tolerances between and around signal pads.

## IMPORTANT NOTICE

Texas Instruments Incorporated and its subsidiaries (TI) reserve the right to make corrections, enhancements, improvements and other changes to its semiconductor products and services per JESD46C and to discontinue any product or service per JESD48B. Buyers should obtain the latest relevant information before placing orders and should verify that such information is current and complete. All semiconductor products (also referred to herein as "components") are sold subject to TI's terms and conditions of sale supplied at the time of order acknowledgment.

TI warrants performance of its components to the specifications applicable at the time of sale, in accordance with the warranty in TI's terms and conditions of sale of semiconductor products. Testing and other quality control techniques are used to the extent TI deems necessary to support this warranty. Except where mandated by applicable law, testing of all parameters of each component is not necessarily performed.

TI assumes no liability for applications assistance or the design of Buyers' products. Buyers are responsible for their products and applications using TI components. To minimize the risks associated with Buyers' products and applications, Buyers should provide adequate design and operating safeguards.

TI does not warrant or represent that any license, either express or implied, is granted under any patent right, copyright, mask work right, or other intellectual property right relating to any combination, machine, or process in which TI components or services are used. Information published by TI regarding third-party products or services does not constitute a license to use such products or services or a warranty or endorsement thereof. Use of such information may require a license from a third party under the patents or other intellectual property of the third party, or a license from TI under the patents or other intellectual property of TI.

Reproduction of significant portions of TI information in TI data books or data sheets is permissible only if reproduction is without alteration and is accompanied by all associated warranties, conditions, limitations, and notices. TI is not responsible or liable for such altered documentation. Information of third parties may be subject to additional restrictions.

Resale of TI components or services with statements different from or beyond the parameters stated by TI for that component or service voids all express and any implied warranties for the associated TI component or service and is an unfair and deceptive business practice. TI is not responsible or liable for any such statements.

Buyer acknowledges and agrees that it is solely responsible for compliance with all legal, regulatory and safety-related requirements concerning its products, and any use of TI components in its applications, notwithstanding any applications-related information or support that may be provided by TI. Buyer represents and agrees that it has all the necessary expertise to create and implement safeguards which anticipate dangerous consequences of failures, monitor failures and their consequences, lessen the likelihood of failures that might cause harm and take appropriate remedial actions. Buyer will fully indemnify TI and its representatives against any damages arising out of the use of any TI components in safety-critical applications.

In some cases, TI components may be promoted specifically to facilitate safety-related applications. With such components, TI's goal is to help enable customers to design and create their own end-product solutions that meet applicable functional safety standards and requirements. Nonetheless, such components are subject to these terms.

No TI components are authorized for use in FDA Class III (or similar life-critical medical equipment) unless authorized officers of the parties have executed a special agreement specifically governing such use.

Only those TI components which TI has specifically designated as military grade or "enhanced plastic" are designed and intended for use in military/aerospace applications or environments. Buyer acknowledges and agrees that any military or aerospace use of TI components which have **not** been so designated is solely at the Buyer's risk, and that Buyer is solely responsible for compliance with all legal and regulatory requirements in connection with such use.

TI has specifically designated certain components which meet ISO/TS16949 requirements, mainly for automotive use. Components which have not been so designated are neither designed nor intended for automotive use; and TI will not be responsible for any failure of such components to meet such requirements.

### Products

|                        |  |
|------------------------|--|
| Audio                  | <a href="http://www.ti.com/audio">www.ti.com/audio</a>                               |
| Amplifiers             | <a href="http://amplifier.ti.com">amplifier.ti.com</a>                               |
| Data Converters        | <a href="http://dataconverter.ti.com">dataconverter.ti.com</a>                       |
| DLP® Products          | <a href="http://www.dlp.com">www.dlp.com</a>   |
| DSP                    | <a href="http://dsp.ti.com">dsp.ti.com</a>   |
| Clocks and Timers      | <a href="http://www.ti.com/clocks">www.ti.com/clocks</a>                             |
| Interface              | <a href="http://interface.ti.com">interface.ti.com</a>                               |
| Logic                  | <a href="http://logic.ti.com">logic.ti.com</a>                                       |
| Power Mgmt             | <a href="http://power.ti.com">power.ti.com</a>                                       |
| Microcontrollers       | <a href="http://microcontroller.ti.com">microcontroller.ti.com</a>                   |
| RFID                   | <a href="http://www.ti-rfid.com">www.ti-rfid.com</a>                                 |
| OMAP Mobile Processors | <a href="http://www.ti.com/omap">www.ti.com/omap</a>                                 |
| Wireless Connectivity  | <a href="http://www.ti.com/wirelessconnectivity">www.ti.com/wirelessconnectivity</a> |

### Applications

|                               |  |
|-------------------------------|--|
| Automotive and Transportation | <a href="http://www.ti.com/automotive">www.ti.com/automotive</a>                         |
| Communications and Telecom    | <a href="http://www.ti.com/communications">www.ti.com/communications</a>                 |
| Computers and Peripherals     | <a href="http://www.ti.com/computers">www.ti.com/computers</a>                           |
| Consumer Electronics          | <a href="http://www.ti.com/consumer-apps">www.ti.com/consumer-apps</a>                   |
| Energy and Lighting           | <a href="http://www.ti.com/energy">www.ti.com/energy</a>                                 |
| Industrial                    | <a href="http://www.ti.com/industrial">www.ti.com/industrial</a>                         |
| Medical                       | <a href="http://www.ti.com/medical">www.ti.com/medical</a>                               |
| Security                      | <a href="http://www.ti.com/security">www.ti.com/security</a>                             |
| Space, Avionics and Defense   | <a href="http://www.ti.com/space-avionics-defense">www.ti.com/space-avionics-defense</a> |
| Video and Imaging             | <a href="http://www.ti.com/video">www.ti.com/video</a>                                   |

**TI E2E Community** [e2e.ti.com](http://e2e.ti.com)