



# CGS74B303 Octal Divide-by-2 Skew Clock Driver

## General Description

These minimum skew clock drivers are designed for high frequency Clock Generation and Support (CGS) applications. These devices are ideal for duty cycle recovery applications with internal frequency divide-by-2 circuitry. The devices guarantee minimum output skew across the outputs of a given device. Skew parameters are also provided as a means to measure duty cycle requirements as those found in high speed clocking systems.

## Functional Description

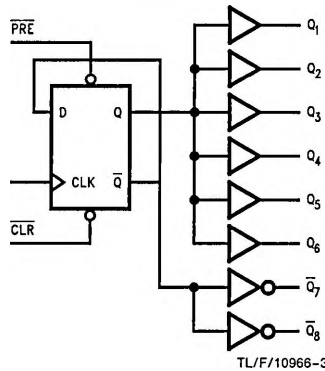
The CGS74B303 contains eight flip-flops designed to have low skew between outputs. The eight outputs (six in-phase with CLK and two out-of-phase) toggle on successive CLK pulses.  $\overline{PRE}$  and  $\overline{CLR}$  inputs are provided to set Q and  $\overline{Q}$  outputs high or low independent of CLK pin.

## Features

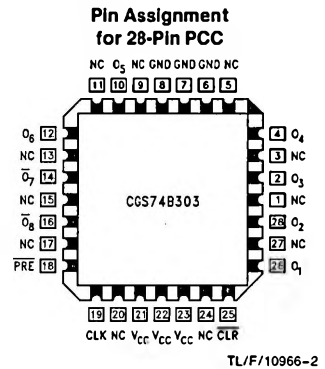
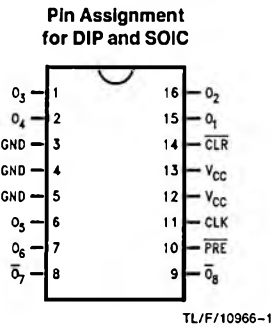
- Clock Generation and Support (CGS) Devices ideal for high frequency signal generation or clock distribution applications
- CGS74B version features National's Advanced Bipolar FAST™ LSI process
- 1 ns pin-to-pin output skew
- Specification for transition skew to meet duty cycle requirements
- Current sourcing 24 mA and current sinking of 48 mA
- Low dynamic power consumption above 20 MHz
- Guaranteed 4 kV ESD protection

**Ordering Code:** See Section 5

## Logic Diagram



## Connection Diagrams



## Pin Description

Pin Names	Description
CLK	Clock Input
O <sub>1</sub> -O <sub>8</sub>	Outputs
$\overline{PRE}$	Preset
$\overline{CLR}$	Clear

## Truth Table

Inputs			Outputs	
$\overline{CLR}$	$\overline{PRE}$	CLK	O <sub>1</sub> -O <sub>5</sub>	$\overline{O}_7$ - $\overline{O}_8$
L	H	X	L	H
H	L	X	H	L
L	L	X	L*	L*
H	H	↑	$\overline{Q}$	Q
H	H	L	Q	$\overline{Q}$

\*This state will not persist when  $\overline{CLR}/\overline{PRE}$  returns to high.

## Absolute Maximum Ratings (Note)

If Military/Aerospace specified devices are required, please contact the National Semiconductor Sales Office/Distributors for availability and specifications.

Supply Voltage ( $V_{CC}$ )		7.0V
Input Voltage ( $V_I$ )		7.0V
Operating Free	74B303	0°C to +70°C
Air Temperature	64B303	-40°C to +85°C
Storage Temperature Range		-65°C to +150°C
Typical $\theta_{JA}$		303/304/305
Airflow (LFM)	0	225 500
Plastic (N) Package	95	70 60 °C/W
Jedec SOIC (M) Package	118	96 86 °C/W
PCC (V) Package	69	53 45 °C/W

## Recommended Operating Conditions

Supply Voltage ( $V_{CC}$ )	4.5V to 5.5V
High Level Input Voltage ( $V_{IH}$ )	2V
Low Level Input Voltage ( $V_{IL}$ )	0.8V
High Level Output Current ( $I_{OH}$ )	-24 mA
Low Level Output Current ( $I_{OL}$ )	48 mA
Free Air Operating Temperature ( $T_A$ )	0 to 70°C

NOTE: The Absolute Maximum Ratings are those values beyond which the safety of the device cannot be guaranteed. The device should not be operated at these limits. The parametric values defined in the DC and AC Electrical Characteristics tables are not guaranteed at the absolute maximum ratings. The Recommended Operating Conditions will define the conditions for actual device operation.

## DC Electrical Characteristics CGS74/64B303/304/305

Over recommended operating free air temperature range. All typical values are measured at  $V_{CC} = 5V$ ,  $T_A = 25^\circ C$ .

Symbol	Parameter	Conditions	Min	Typ	Max	Unit
$V_{IK}$	Input Clamp Voltage	$V_{CC} = 4.5V$ , $I_I = -18$ mA			-1.2	V
$V_{OH}$	High Level Output Voltage	$I_{OH} = -2$ mA, $V_{CC} = 4.5V$	$V_{CC} - 2$			V
		$I_{OH} = 24$ mA, $V_{CC} = 4.5V$	2.0			
$V_{OL}$	Low Level Output Voltage	$V_{CC} = 4.5V$ , $I_{OL} = 48$ mA		0.35	0.5	V
$I_I$	Input Current @ Max Input Voltage	$V_{CC} = 5.5V$ , $V_{IH} = 7V$			0.1	mA
$I_{IH}$	High Level Input Current	$V_{CC} = 5.5V$ , $V_{IH} = 2.7V$			20	$\mu A$
$I_{IL}$	Low Level Input Current	$V_{CC} = 5.5V$ , $V_{IL} = 0.4V$		-0.1	-0.50	mA
$I_O$	Output Drive Current	$V_{CC} = 5.5V$ , $V_O = 2.25V$	-50		-150	mA
$I_{CC}$	Supply Current 303	$V_{CC} = 5.5V$	Outputs High	27	60	mA
			Outputs Low	45	60	mA
$I_{CC}$	Supply Current 304	$V_{CC} = 5.5V$	Outputs High	20	30	mA
			Outputs Low	42	55	mA
$I_{CC}$	Supply Current 305	$V_{CC} = 5.5V$	Outputs High	35	45	mA
			Outputs Low	42	55	mA
$C_{IN}$	Input Capacitance	$V_{CC} = 5V$		5		pF

## AC Electrical Characteristics

Over recommended operating free air temperature range. All typical values are measured at  $V_{CC} = 5V$ ,  $T_A = 25^\circ C$ .

Symbol	Parameter	CGS74B303			CGS64B303			Units	
		$V_{CC} = 4.5V$ to $5.5V$ $T_A = 0^\circ C$ to $+70^\circ C$ $C_L = 0$ pF– $50$ pF $R_L = 500\Omega$			$V_{CC} = 4.5V$ to $5.5V$ $T_A = -40^\circ C$ to $+85^\circ C$ $C_L = 0$ pF– $50$ pF $R_L = 500\Omega$				
		Min	Typ	Max	Min	Typ	Max		
$f_{MAX}$	Maximum Input Frequency	110			100			MHz	
$t_{PLH}$ $t_{PHL}$	Propagation Delay CK(n) to $O_n$	M, N	4		8	4		8	ns
		V	4		8.5	4		9	
$t_{PLH}$ $t_{PHL}$	Propagation Delay PRE/CLR		3		12	3		12	ns
$t_{SU}$	Set Up Time before CLK		5			5			ns
$t_W$	CLK HI CLK LO CLR/PRE		4 4 4			4 4 4			ns

## Extended AC Electrical Characteristics

Over recommended operating free air temperature range. All typical values are measured at  $V_{CC} = 5V$ ,  $T_A = 25^\circ C$ .

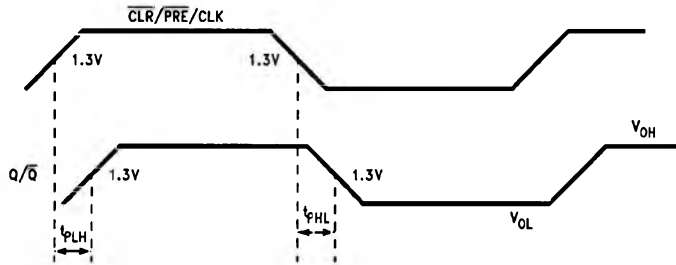
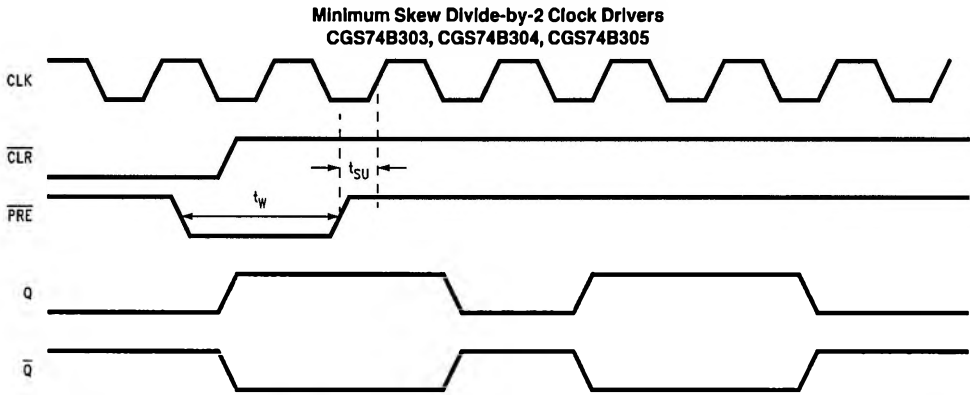
Symbol	Parameter	$V_{CC}^*$ (V)	CGS74B303			CGS64B303			Units	
			$V_{CC} = 4.5V$ to $5.5V$ $T_A = 0^\circ C$ to $+70^\circ C$ $C_L = 0$ pF– $50$ pF $R_L = 500\Omega$			$V_{CC} = 4.5V$ to $5.5V$ $T_A = -40^\circ C$ to $+85^\circ C$ $C_L = 0$ pF– $50$ pF $R_L = 500\Omega$				
			Min	Typ	Max	Min	Typ	Max		
$t_{OSLH\ Q}$	Maximum Skew Common Edge Output-to-Output Variation (Note 1)	5.0		0.5	1.0		0.5	1.0	ns	
$t_{OSLH\ Q}$	Maximum Skew Common Edge Output-to-Output Variation (Note 1)	5.0		0.5	1.0		0.5	1.0	ns	
$t_{OSLH\ \bar{Q}}$	Maximum Skew Common Edge Output-to-Output Variation (Note 1)	M, N	5.0		0.3	0.6		0.3	0.6	ns
		V			0.3	0.75		0.3	0.75	
$t_{OSLH\ \bar{Q}}$	Maximum Skew Common Edge Output-to-Output Variation (Note 1)	M, N	5.0		0.3	0.6		0.3	0.6	ns
		V			0.3	0.75		0.3	0.75	
$t_{OSLH/HL\ Q,\ \bar{Q}}$	Maximum Skew Common Edge Output-to-Output Variation (Note 1)	5.0		1.0	1.6		1.0	1.75	ns	
$t_{PS\ Q}$	Maximum Skew Pin (Signal) Transition Variation (Note 1)	5.0			1.0			1.2	ns	
$t_{rise}$ $t_{fall}$	Rise/Fall Time (from 0.8V/2.0V to 2.0V/0.8V) 0 pF–30 pF Loads	5.0		1.1 0.9	2.0 2.0		1.1 0.9	2.0 2.0	ns	

\*Voltage Range 5.0 is  $5.0V \pm 0.5V$

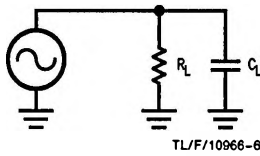
**Note 1:** Output-to-Output Skew is defined as the absolute value of the difference between the actual propagation delay for any outputs within the same packaged device. The specifications apply to any outputs switching in the same direction either HIGH to LOW ( $t_{OSHL}$ ) or LOW to HIGH ( $t_{OSLH}$ ) or in opposite directions both HL and LH ( $t_{OST}$ ). Parameters  $t_{OST}$  and  $t_{PS}$  guaranteed by design.

**Note 2:** This device is sensitive to noise due to the large transient currents which occur during multiple switching of the eight outputs.  $V_{VV}$  by-pass capacitor(s), chip types, must be placed as closely as possible to the  $V_{CC}$  pin.

## Timing Diagrams



## Test Circuit



$R_L$  is 500 $\Omega$   
 $C_L$  is 50 pF for all prop delays and skew measurements.  
 $C_L$  is 30 pF for  $t_{10\%}$  and  $t_{90\%}$  measurements.

### Notes:

- Refer to Minimum Skew Parameters Measurement Information Chart for definitions of each skew specification.
- All input pulses are from 3.5V to 0.3V with rise and fall times of 2.0 ns.
- Load capacitance includes the test jig.