

# COP8SG Family

## 8-Bit CMOS ROM Based and OTP Microcontrollers with 8k to 32k Memory, Two Comparators and USART

### General Description

The COP8SG Family ROM and OTP based microcontrollers are highly integrated COP8™ Feature core devices with 8k to 32k memory and advanced features including Analog comparators, and zero external components. These single-chip CMOS devices are suited for more complex applications requiring a full featured controller with larger memory, low EMI, two comparators, and a full-duplex USART. COP8SGx7 devices are 100% form-fit-function compatible OTP (One Time Programmable) versions for use in production or development of the COP8SGx5 ROM.

Erasable windowed versions (Q3) are available for use with a range of COP8 software and hardware development tools.

Family features include an 8-bit memory mapped architecture, 15 MHz CKI with 0.67  $\mu$ s instruction cycle, 14 interrupts, three multi-function 16-bit timer/counters with PWM, full duplex USART, MICROWIRE/PLUS™, two analog comparators, two power saving HALT/IDLE modes, MIWU, idle timer, on-chip R/C oscillator, high current outputs, user selectable options (WATCHDOG™, 4 clock/oscillator modes, power-on-reset), 2.7V to 5.5V operation, program code security, and 28/40/44 pin packages.

Devices included in this datasheet are:

| Device      | Memory (bytes) | RAM (bytes) | I/O Pins | Packages                             | Temperature                 |
|-------------|----------------|-------------|----------|--------------------------------------|-----------------------------|
| COP8SGE5    | 8k ROM         | 256         | 24/36/40 | 28 DIP/SOIC, 40 DIP, 44 PLCC/QFP/CSP | -40 to +85°C, -40 to +125°C |
| COP8SGG5    | 16k ROM        | 512         | 24/36/40 | 28 DIP/SOIC, 40 DIP, 44 PLCC/QFP/CSP | -40 to +85°C, -40 to +125°C |
| COP8SGH5    | 20k ROM        | 512         | 24/36/40 | 28 DIP/SOIC, 40 DIP, 44 PLCC/QFP/CSP | -40 to +85°C, -40 to +125°C |
| COP8SGK5    | 24k ROM        | 512         | 24/36/40 | 28 DIP/SOIC, 40 DIP, 44 PLCC/QFP/CSP | -40 to +85°C, -40 to +125°C |
| COP8SGR5    | 32k ROM        | 512         | 24/36/40 | 28 DIP/SOIC, 40 DIP, 44 PLCC/QFP/CSP | -40 to +85°C, -40 to +125°C |
| COP8SGE7    | 8k OTP EPROM   | 256         | 24/36/40 | 28 DIP/SOIC, 40 DIP, 44 PLCC/QFP/CSP | -40 to +85°C, -40 to +125°C |
| COP8SGR7    | 32k OTP EPROM  | 512         | 24/36/40 | 28 DIP/SOIC, 40 DIP, 44 PLCC/QFP/CSP | -40 to +85°C, -40 to +125°C |
| COP8SGR7-Q3 | 32k EPROM      | 512         | 24/36/40 | 28 DIP, 40 DIP, 44 PLCC              | Room Temp.                  |

### Key Features

- Low cost 8-bit microcontroller
- Quiet Design (low radiated emissions)
- Multi-Input Wakeup pins with optional interrupts (8 pins)
- Mask selectable clock options
  - Crystal oscillator
  - Crystal oscillator option with on-chip bias resistor
  - External oscillator
  - Internal R/C oscillator
- Internal Power-On-Reset—user selectable
- WATCHDOG and Clock Monitor Logic—user selectable
- Eight high current outputs
- 256 or 512 bytes on-board RAM
- 8k to 32k ROM or OTP EPROM with security feature

### CPU Features

- Versatile easy to use instruction set
- 0.67  $\mu$ s instruction cycle time
- Fourteen multi-source vectored interrupts servicing
  - External interrupt / Timers T0 — T3
  - MICROWIRE/PLUS Serial Interface
  - Multi-Input Wake Up
  - Software Trap
  - USART (2; 1 receive and 1 transmit)
  - Default VIS (default interrupt)
- 8-bit Stack Pointer SP (stack in RAM)
- Two 8-bit Register Indirect Data Memory Pointers
- True bit manipulation
- BCD arithmetic instructions

COP8™, MICROWIRE/PLUS™, and WATCHDOG™ are trademarks of National Semiconductor Corporation.  
 TRI-STATE® is a registered trademark of National Semiconductor Corporation.  
 iceMASTER® is a registered trademark of MetaLink Corporation.

## CPU Features (Continued)

## Peripheral Features

- Multi-Input Wakeup Logic
- Three 16-bit timers (T1 — T3), each with two 16-bit registers supporting:
  - Processor Independent PWM mode
  - External Event Counter mode
  - Input Capture mode
- Idle Timer (T0)
- MICROWIRE/PLUS Serial Interface (SPI Compatible)
- Full Duplex USART
- Two Analog Comparators

## I/O Features

- Software selectable I/O options (TRI-STATE® Output, Push-Pull Output, Weak Pull-Up Input, and High Impedance Input)

- Schmitt trigger inputs on ports G and L
- Eight high current outputs
- Packages: 28 SO with 24 I/O pins, 40 DIP with 36 I/O pins, 44 PLCC, PQFP and CSP with 40 I/O pins

## Fully Static CMOS Design

- Low current drain (typically < 4  $\mu$ A)
- Two power saving modes: HALT and IDLE

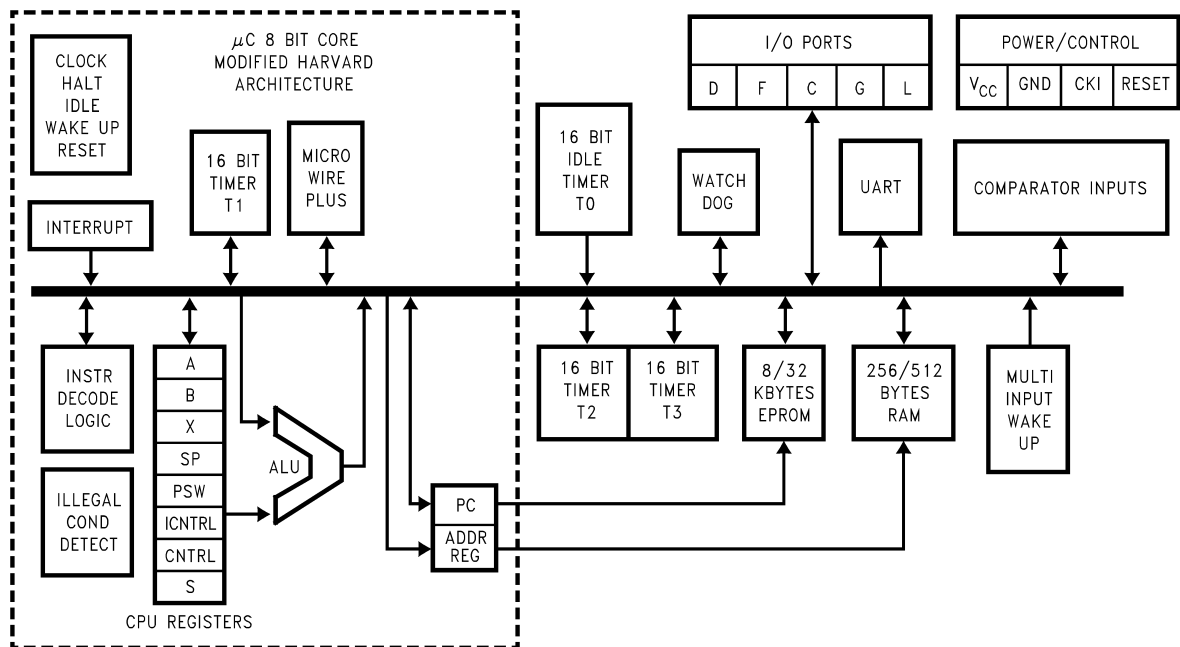
## Temperature Range

- $-40^{\circ}\text{C}$  to  $+85^{\circ}\text{C}$ ,  $-40^{\circ}\text{C}$  to  $+125^{\circ}\text{C}$

## Development Support

- Windowed packages for DIP and PLCC
- Real time emulation and full program debug offered by MetaLink Development System

## Block Diagram



DS101317-44

FIGURE 1. COP8SGx Block Diagram

## 1.0 Device Description

### 1.1 ARCHITECTURE

The COP8 family is based on a modified Harvard architecture, which allows data tables to be accessed directly from program memory. This is very important with modern microcontroller-based applications, since program memory is usually ROM or EPROM, while data memory is usually RAM. Consequently data tables need to be contained in non-volatile memory, so they are not lost when the microcontroller is powered down. In a modified Harvard architecture, instruction fetch and memory data transfers can be overlapped with a two stage pipeline, which allows the next instruction to be fetched from program memory while the current instruction is being executed using data memory. This is not possible with a Von Neumann single-address bus architecture.

The COP8 family supports a software stack scheme that allows the user to incorporate many subroutine calls. This capability is important when using High Level Languages. With a hardware stack, the user is limited to a small fixed number of stack levels.

### 1.2 INSTRUCTION SET

In today's 8-bit microcontroller application arena cost/performance, flexibility and time to market are several of the key issues that system designers face in attempting to build well-engineered products that compete in the marketplace. Many of these issues can be addressed through the manner in which a microcontroller's instruction set handles processing tasks. And that's why COP8 family offers a unique and code-efficient instruction set—one that provides the flexibility, functionality, reduced costs and faster time to market that today's microcontroller based products require.

Code efficiency is important because it enables designers to pack more on-chip functionality into less program memory space. Selecting a microcontroller with less program memory size translates into lower system costs, and the added security of knowing that more code can be packed into the available program memory space.

#### 1.2.1 Key Instruction Set Features

The COP8 family incorporates a unique combination of instruction set features, which provide designers with optimum code efficiency and program memory utilization.

##### Single Byte/Single Cycle Code Execution

The efficiency is due to the fact that the majority of instructions are of the single byte variety, resulting in minimum program space. Because compact code does not occupy a substantial amount of program memory space, designers can integrate additional features and functionality into the microcontroller program memory space. Also, the majority instructions executed by the device are single cycle, resulting in minimum program execution time. In fact, 77% of the instructions are single byte single cycle, providing greater code and I/O efficiency, and faster code execution.

#### 1.2.2 Many Single-Byte, Multifunction Instructions

The COP8 instruction set utilizes many single-byte, multifunction instructions. This enables a single instruction to accomplish multiple functions, such as DRSZ, DCOR, JID, LD (Load) and X (Exchange) instructions with post-incrementing and post-decrementing, to name just a few

examples. In many cases, the instruction set can simultaneously execute as many as three functions with the same single-byte instruction.

**JID:** (Jump Indirect); Single byte instruction; decodes external events and jumps to corresponding service routines (analogous to "DO CASE" statements in higher level languages).

**LAID:** (Load Accumulator-Indirect); Single byte look up table instruction provides efficient data path from the program memory to the CPU. This instruction can be used for table lookup and to read the entire program memory for checksum calculations.

**RETSK:** (Return Skip); Single byte instruction allows return from subroutine and skips next instruction. Decision to branch can be made in the subroutine itself, saving code.

**AUTOINC/DEC:** (Auto-Increment/Auto-Decrement); These instructions use the two memory pointers B and X to efficiently process a block of data (analogous to "FOR NEXT" in higher level languages).

### 1.2.3 Bit-Level Control

Bit-level control over many of the microcontroller's I/O ports provides a flexible means to ease layout concerns and save board space. All members of the COP8 family provide the ability to set, reset and test any individual bit in the data memory address space, including memory-mapped I/O ports and associated registers.

### 1.2.4 Register Set

Three memory-mapped pointers handle register indirect addressing and software stack pointer functions. The memory data pointers allow the option of post-incrementing or post-decrementing with the data movement instructions (LOAD/EXCHANGE). And 15 memory-mapped registers allow designers to optimize the precise implementation of certain specific instructions.

### 1.3 EMI REDUCTION

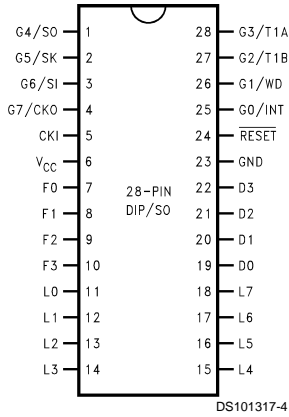
The COP8SGx5 family of devices incorporates circuitry that guards against electromagnetic interference—an increasing problem in today's microcontroller board designs. National's patented EMI reduction technology offers low EMI clock circuitry, gradual turn-on output drivers (GTOs) and internal I<sub>CC</sub> smoothing filters, to help circumvent many of the EMI issues influencing embedded control designs. National has achieved 15 dB–20 dB reduction in EMI transmissions when designs have incorporated its patented EMI reducing circuitry.

### 1.4 PACKAGING/PIN EFFICIENCY

Real estate and board configuration considerations demand maximum space and pin efficiency, particularly given today's high integration and small product form factors. Microcontroller users try to avoid using large packages to get the I/O needed. Large packages take valuable board space and increases device cost, two trade-offs that microcontroller designs can ill afford.

The COP8 family offers a wide range of packages and do not waste pins: up to 90.9% (or 40 pins in the 44-pin package) are devoted to useful I/O.

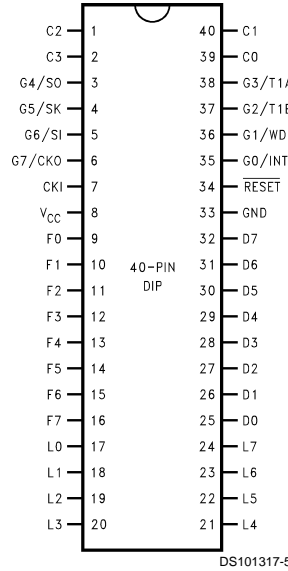
# Connection Diagrams



**Note 1:** X = E for 8k, G for 16k,  
H for 20k, K for 24k, R for 32k  
Y = 5 for ROM, 7 for OTP

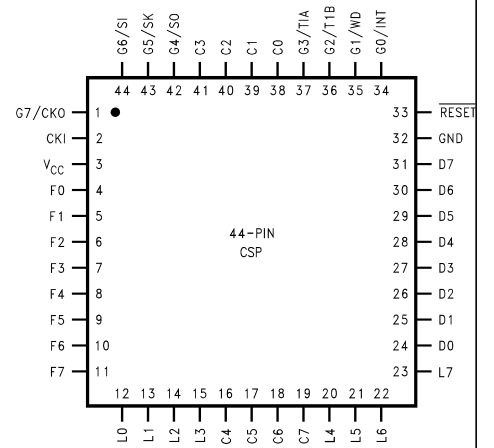
**Top View**

**Order Number COP8SGXY28M8**  
See NS Package Number M28B  
**Order Number COP8SGXY28N8**  
See NS Package Number N28B  
**Order Number COP8SGR728Q3**  
See NS Package Number D28JQ



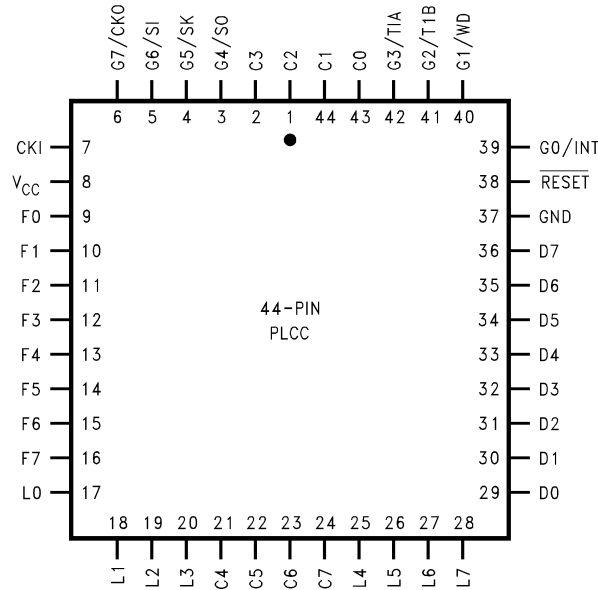
**Top View**

**Order Number COP8SGXY40N8**  
See NS Package Number N40A  
**Order Number COP8SGR540Q3**  
See NS Package Number D40KQ



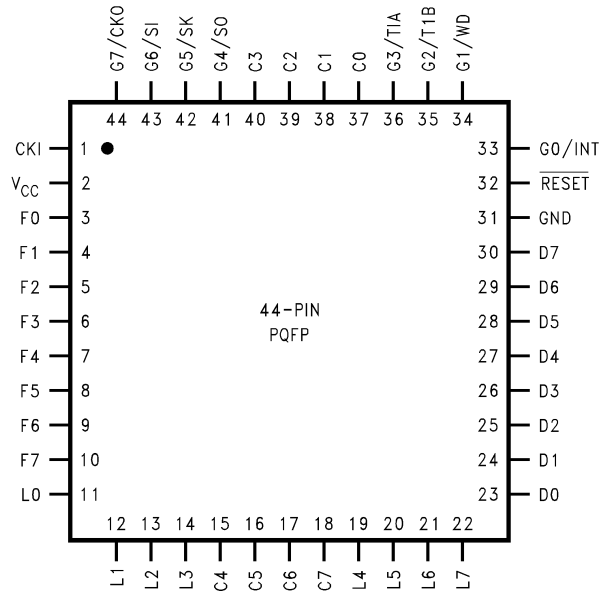
**Top View**

**Order Number COP8SGR7HLQ8**  
See NS Package Number LQA44A



**Top View**

**Order Number COP8SGXY44V8**  
See NS Package Number V44A  
**Order Number COP8SGR744J3**  
See NS Package Number EL44C



**Top View**

**Order Number COP8SGXYVEJ8**  
See NS Package Number VEJ44A

**FIGURE 2. Connection Diagrams**

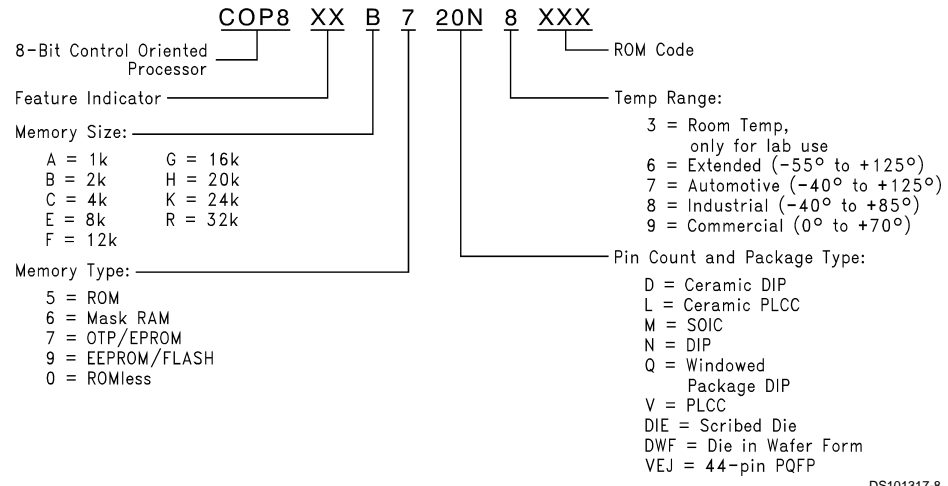
## Connection Diagrams (Continued)

### Pinouts for 28-, 40- and 44-Pin Packages

| Port            | Type | Alt. Fun    | 28-Pin SO | 40-Pin DIP | 44-Pin PLCC | 44-Pin PQFP | 44-Pin CSP |
|-----------------|------|-------------|-----------|------------|-------------|-------------|------------|
| L0              | I/O  | MIWU        | 11        | 17         | 17          | 11          | 12         |
| L1              | I/O  | MIWU or CKX | 12        | 18         | 18          | 12          | 13         |
| L2              | I/O  | MIWU or TDX | 13        | 19         | 19          | 13          | 14         |
| L3              | I/O  | MIWU or RDX | 14        | 20         | 20          | 14          | 15         |
| L4              | I/O  | MIWU or T2A | 15        | 21         | 25          | 19          | 20         |
| L5              | I/O  | MIWU or T2B | 16        | 22         | 26          | 20          | 21         |
| L6              | I/O  | MIWU or T3A | 17        | 23         | 27          | 21          | 22         |
| L7              | I/O  | MIWU or T3B | 18        | 24         | 28          | 22          | 23         |
| G0              | I/O  | INT         | 25        | 35         | 39          | 33          | 34         |
| G1              | I/O  | WDOUT*      | 26        | 36         | 40          | 34          | 35         |
| G2              | I/O  | T1B         | 27        | 37         | 41          | 35          | 36         |
| G3              | I/O  | T1A         | 28        | 38         | 42          | 36          | 37         |
| G4              | I/O  | SO          | 1         | 3          | 3           | 41          | 42         |
| G5              | I/O  | SK          | 2         | 4          | 4           | 42          | 43         |
| G6              | I    | SI          | 3         | 5          | 5           | 43          | 44         |
| G7              | I    | CKO         | 4         | 6          | 6           | 44          | 45         |
| D0              | O    |             | 19        | 25         | 29          | 23          | 24         |
| D1              | O    |             | 20        | 26         | 30          | 24          | 25         |
| D2              | O    |             | 21        | 27         | 31          | 25          | 26         |
| D3              | O    |             | 22        | 28         | 32          | 26          | 27         |
| D4              | O    |             |           | 29         | 33          | 27          | 28         |
| D5              | O    |             |           | 30         | 34          | 28          | 29         |
| D6              | O    |             |           | 31         | 35          | 29          | 30         |
| D7              | O    |             |           | 32         | 36          | 30          | 31         |
| F0              | I/O  |             | 7         | 9          | 9           | 3           | 4          |
| F1              | I/O  | COMP1IN-    | 8         | 10         | 10          | 4           | 5          |
| F2              | I/O  | COMP1IN+    | 9         | 11         | 11          | 5           | 6          |
| F3              | I/O  | COMP1OUT    | 10        | 12         | 12          | 6           | 7          |
| F4              | I/O  | COMP2IN-    |           | 13         | 13          | 7           | 8          |
| F5              | I/O  | COMP2IN+    |           | 14         | 14          | 8           | 9          |
| F6              | I/O  | COMP2OUT    |           | 15         | 15          | 9           | 10         |
| F7              | I/O  |             |           | 16         | 16          | 10          | 11         |
| C0              | I/O  |             |           | 39         | 43          | 37          | 38         |
| C1              | I/O  |             |           | 40         | 44          | 38          | 39         |
| C2              | I/O  |             |           | 1          | 1           | 39          | 40         |
| C3              | I/O  |             |           | 2          | 2           | 40          | 41         |
| C4              | I/O  |             |           |            | 21          | 15          | 16         |
| C5              | I/O  |             |           |            | 22          | 16          | 17         |
| C6              | I/O  |             |           |            | 23          | 17          | 18         |
| C7              | I/O  |             |           |            | 24          | 18          | 19         |
| V <sub>CC</sub> |      |             | 6         | 8          | 8           | 2           | 3          |
| GND             |      |             | 23        | 33         | 37          | 31          | 32         |
| CKI             | I    |             | 5         | 7          | 7           | 1           | 2          |
| RESET           | I    |             | 24        | 34         | 38          | 32          | 33         |

\* G1 operation as WDOUT is controlled by ECON bit 2.

## 2.1 Ordering Information



DS101317-8

FIGURE 3. Part Numbering Scheme

### 3.0 Electrical Characteristics

#### Absolute Maximum Ratings (Note 2)

If Military/Aerospace specified devices are required, please contact the National Semiconductor Sales Office/Distributors for availability and specifications.

|  |                         |
|--|-------------------------|
| Supply Voltage ( $V_{CC}$ )              | 7V                      |
| Voltage at Any Pin                       | -0.3V to $V_{CC}$ +0.3V |
| Total Current into $V_{CC}$ Pin (Source) | 100 mA                  |

|                                     |                        |
|-------------------------------------|------------------------|
| Total Current out of GND Pin (Sink) | 110 mA                 |
| Storage Temperature Range           | -65°C to +140°C        |
| ESD Protection Level                | 2kV (Human Body Model) |

**Note 2:** Absolute maximum ratings indicate limits beyond which damage to the device may occur. DC and AC electrical specifications are not ensured when operating the device at absolute maximum ratings.

#### DC Electrical Characteristics

-40°C ≤  $T_A$  ≤ +85°C unless otherwise specified.

| Parameter   | Conditions                           | Min           | Typ | Max                  | Units      |
|---|--------------------------------------|---------------|-----|----------------------|------------|
| Operating Voltage   |                                      | 2.7           |     | 5.5                  | V          |
| Power Supply Rise Time  |                                      | 10            |     | 50 x 10 <sup>6</sup> | ns         |
| $V_{CC}$ Start Voltage to Guarantee POR                           |                                      | 0             |     | 0.25                 | V          |
| Power Supply Ripple (Note 4)                                      | Peak-to-Peak                         |               |     | 0.1 $V_{CC}$         | V          |
| Supply Current (Note 5)   |                                      |               |     |                      |            |
| CKI = 15 MHz  | $V_{CC} = 5.5V$ , $t_C = 0.67 \mu s$ |               |     | 9.0                  | mA         |
| CKI = 10 MHz  | $V_{CC} = 5.5V$ , $t_C = 1 \mu s$    |               |     | 6.0                  | mA         |
| CKI = 4 MHz   | $V_{CC} = 4.5V$ , $t_C = 2.5 \mu s$  |               |     | 2.1                  | mA         |
| HALT Current (Note 6)   | $V_{CC} = 5.5V$ , CKI = 0 MHz        |               | <4  | 10                   | $\mu A$    |
| IDLE Current (Note 5)   |                                      |               |     |                      |            |
| CKI = 15 MHz  | $V_{CC} = 5.5V$ , $t_C = 0.67 \mu s$ |               |     | 2.25                 | mA         |
| CKI = 10 MHz  | $V_{CC} = 5.5V$ , $t_C = 1 \mu s$    |               |     | 1.5                  | mA         |
| CKI = 4 MHz   | $V_{CC} = 4.5V$ , $t_C = 2.5 \mu s$  |               |     | 0.8                  | mA         |
| Input Levels ( $V_{IH}$ , $V_{IL}$ )                              |                                      |               |     |                      |            |
| RESET   |                                      |               |     |                      |            |
| Logic High  |                                      | 0.8 $V_{CC}$  |     |                      | V          |
| Logic Low   |                                      |               |     | 0.2 $V_{CC}$         | V          |
| CKI, All Other Inputs   |                                      |               |     |                      |            |
| Logic High  |                                      | 0.7 $V_{CC}$  |     |                      | V          |
| Logic Low   |                                      |               |     | 0.2 $V_{CC}$         | V          |
| Internal Bias Resistor for the Crystal/Resonator Oscillator       |                                      | 0.5           | 1   | 2                    | M $\Omega$ |
| CKI Resistance to $V_{CC}$ or GND when R/C Oscillator is selected | $V_{CC} = 5.5V$                      | 5             | 8   | 11                   | k $\Omega$ |
| Hi-Z Input Leakage  | $V_{CC} = 5.5V$                      | -2            |     | +2                   | $\mu A$    |
| Input Pullup Current  | $V_{CC} = 5.5V$ , $V_{IN} = 0V$      | -40           |     | -250                 | $\mu A$    |
| G and L Port Input Hysteresis                                     | $V_{CC} = 5.5V$                      | 0.25 $V_{CC}$ |     |                      | V          |

**DC Electrical Characteristics** (Continued)-40°C ≤ T<sub>A</sub> ≤ +85°C unless otherwise specified.

| Parameter   | Conditions                                     | Min   | Typ | Max  | Units |
|---|--|-------|-----|------|-------|
| Output Current Levels                                   |  |       |     |      |       |
| D Outputs   |  |       |     |      |       |
| Source  | V <sub>CC</sub> = 4.5V, V <sub>OH</sub> = 3.3V | -0.4  |     |      | mA    |
|   | V <sub>CC</sub> = 2.7V, V <sub>OH</sub> = 1.8V | -0.2  |     |      | mA    |
| Sink  | V <sub>CC</sub> = 4.5V, V <sub>OL</sub> = 1.0V | 10    |     |      | mA    |
|   | V <sub>CC</sub> = 2.7V, V <sub>OL</sub> = 0.4V | 2     |     |      | mA    |
| All Others  |  |       |     |      |       |
| Source (Weak Pull-Up Mode)                              | V <sub>CC</sub> = 4.5V, V <sub>OH</sub> = 2.7V | -10.0 |     | -110 | μA    |
|   | V <sub>CC</sub> = 2.7V, V <sub>OH</sub> = 1.8V | -2.5  |     | -33  | μA    |
| Source (Push-Pull Mode)                                 | V <sub>CC</sub> = 4.5V, V <sub>OH</sub> = 3.3V | -0.4  |     |      | mA    |
|   | V <sub>CC</sub> = 2.7V, V <sub>OH</sub> = 1.8V | -0.2  |     |      | mA    |
| Sink (Push-Pull Mode)                                   | V <sub>CC</sub> = 4.5V, V <sub>OL</sub> = 0.4V | 1.6   |     |      | mA    |
|   | V <sub>CC</sub> = 2.7V, V <sub>OL</sub> = 0.4V | 0.7   |     |      | mA    |
| TRI-STATE Leakage                                       | V <sub>CC</sub> = 5.5V                         | -2    |     | +2   | μA    |
| Allowable Sink Current per Pin (Note 9)                 |  |       |     |      |       |
| D Outputs and L0 to L3                                  |  |       |     | 15   | mA    |
| All Others  |  |       |     | 3    | mA    |
| Maximum Input Current without Latchup (Note 7)          | Room Temp.                                     |       |     | ±200 | mA    |
| RAM Retention Voltage, Vr                               |  | 2.0   |     |      | V     |
| V <sub>CC</sub> Rise Time from a V <sub>CC</sub> ≥ 2.0V | (Note 10)                                      | 12    |     |      | μs    |
| EPROM Data Retention (Note 8), (Note 9)                 | T <sub>A</sub> = 55°C                          |       | >29 |      | years |
| Input Capacitance                                       | (Note 9)                                       |       |     | 7    | pF    |
| Load Capacitance on D2                                  | (Note 9)                                       |       |     | 1000 | pF    |

**AC Electrical Characteristics**-40°C ≤ T<sub>A</sub> ≤ +85°C unless otherwise specified.

| Parameter  | Conditions                    | Min  | Typ | Max | Units          |
|--|-------------------------------|------|-----|-----|----------------|
| Instruction Cycle Time (t <sub>C</sub> )                         |                               |      |     |     |                |
| Crystal/Resonator, External                                      | 4.5V ≤ V <sub>CC</sub> ≤ 5.5V | 0.67 |     |     | μs             |
|  | 2.7V ≤ V <sub>CC</sub> ≤ 4.5V | 2    |     |     | μs             |
| R/C Oscillator (Internal)  | 4.5V ≤ V <sub>CC</sub> ≤ 5.5V |      | 2   |     | μs             |
| Frequency Variation (Note 9)                                     | 4.5V ≤ V <sub>CC</sub> ≤ 5.5V |      | ±35 |     | %              |
| External CKI Clock Duty Cycle (Note 9)                           | fr = Max                      | 45   |     | 55  | %              |
| Rise Time (Note 9)   | fr = 10 MHz Ext Clock         |      |     | 8   | ns             |
| Fall Time (Note 9)   | fr = 10 MHz Ext Clock         |      |     | 5   | ns             |
| MICROWIRE Setup Time (t <sub>UWS</sub> ) (Note 11)               |                               | 20   |     |     | ns             |
| MICROWIRE Hold Time (t <sub>UWH</sub> ) (Note 11)                |                               | 56   |     |     | ns             |
| MICROWIRE Output Propagation Delay (t <sub>UPD</sub> ) (Note 11) |                               |      |     | 220 | ns             |
| Input Pulse Width (Note 9)                                       |                               |      |     |     |                |
| Interrupt Input High Time  |                               | 1    |     |     | t <sub>C</sub> |
| Interrupt Input Low Time   |                               | 1    |     |     | t <sub>C</sub> |
| Timer 1, 2, 3, Input High Time                                   |                               | 1    |     |     | t <sub>C</sub> |
| Timer 1 2, 3, Input Low Time                                     |                               | 1    |     |     | t <sub>C</sub> |
| Reset Pulse Width  |                               | 1    |     |     | μs             |

**Note 3:** t<sub>C</sub> = Instruction cycle time.



## AC Electrical Characteristics (Continued)

**Note 4:** Maximum rate of voltage change must be  $< 0.5$  V/ms.

**Note 5:** Supply and IDLE currents are measured with CKI driven with a square wave Oscillator, External Oscillator, inputs connected to  $V_{CC}$  and outputs driven low but not connected to a load.

**Note 6:** The HALT mode will stop CKI from oscillating in the R/C and the Crystal configurations. In the R/C configuration, CKI is forced high internally. In the crystal or external configuration, CKI is TRI-STATE. Measurement of  $I_{DD}$  HALT is done with device neither sourcing nor sinking current; with L, F, C, G0, and G2–G5 programmed as low outputs and not driving a load; all outputs programmed low and not driving a load; all inputs tied to  $V_{CC}$ ; clock monitor disabled. Parameter refers to HALT mode entered via setting bit 7 of the G Port data register.

**Note 7:** Pins G6 and  $\overline{\text{RESET}}$  are designed with a high voltage input network. These pins allow input voltages  $> V_{CC}$  and the pins will have sink current to  $V_{CC}$  when biased at voltages  $> V_{CC}$  (the pins do not have source current when biased at a voltage below  $V_{CC}$ ). The effective resistance to  $V_{CC}$  is  $750\Omega$  (typical). These two pins will not latch up. The voltage at the pins must be limited to  $< 14$ V. WARNING: Voltages in excess of 14V will cause damage to the pins. This warning excludes ESD transients.

**Note 8:** National Semiconductor uses the High Temperature Storage Life (HTSL) test to evaluate the data retention capabilities of the EPROM memory cells used in our OTP microcontrollers. Qualification devices have been stressed at  $150^\circ\text{C}$  for 1000 hours. Under these conditions, our EPROM cells exhibit data retention capabilities in excess of 29 years. This is based on an activation energy of  $0.7\text{eV}$  derated to  $55^\circ\text{C}$ .

**Note 9:** Parameter characterized but not tested.

**Note 10:** Rise times faster than the minimum specification may trigger an internal power-on-reset.

**Note 11:** MICROWIRE Setup and Hold Times and Propagation Delays are referenced to the appropriate edge of the MICROWIRE clock. See and the MICROWIRE operation description.

## Comparators AC and DC Characteristics

$$V_{CC} = 5\text{V}, -40^\circ\text{C} \leq T_A \leq +85^\circ\text{C}.$$

| Parameter                                       | Conditions  | Min  | Typ     | Max            | Units         |
|---|---|------|---------|----------------|---------------|
| Input Offset Voltage (Note 12)                  | $0.4\text{V} \leq V_{IN} \leq V_{CC} - 1.5\text{V}$   |      | $\pm 5$ | $\pm 15$       | mV            |
| Input Common Mode Voltage Range                 |   | 0.4  |         | $V_{CC} - 1.5$ | V             |
| Voltage Gain                                    |   |      | 100     |                | dB            |
| Low Level Output Current                        | $V_{OL} = 0.4\text{V}$                                | -1.6 |         |                | mA            |
| High Level Output Current                       | $V_{OH} = V_{CC} - 0.4\text{V}$                       | 1.6  |         |                | mA            |
| DC Supply Current per Comparator (When Enabled) |   |      |         | 150            | $\mu\text{A}$ |
| Response Time (Note 13)                         | 200 mV step input<br>100 mV Overdrive,<br>100 pF Load |      |         | 200            | ns            |

**Note 12:** The comparator inputs are high impedance port inputs and, as such, input current is limited to port input leakage current.

**Note 13:** Response time is measured from a step input to a valid logic level at the comparator output. software response time is dependent of instruction execution.

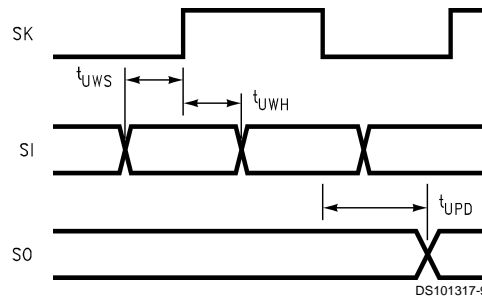


FIGURE 4. MICROWIRE/PLUS Timing

**Absolute Maximum Ratings** (Note 2)

If Military/Aerospace specified devices are required, please contact the National Semiconductor Sales Office/Distributors for availability and specifications.

|   |                         |
|---|-------------------------|
| Supply Voltage ( $V_{CC}$ )                 | 7V                      |
| Voltage at Any Pin                          | -0.3V to $V_{CC}$ +0.3V |
| Total Current into $V_{CC}$<br>Pin (Source) | 100 mA                  |

|  |                        |
|--|------------------------|
| Total Current out of GND<br>Pin (Sink) | 110 mA                 |
| Storage Temperature<br>Range           | -65°C to +140°C        |
| ESD Protection Level                   | 2kV (Human Body Model) |

**Note 14:** Absolute maximum ratings indicate limits beyond which damage to the device may occur. DC and AC electrical specifications are not ensured when operating the device at absolute maximum ratings.

**DC Electrical Characteristics**

-40°C ≤  $T_A$  ≤ +125°C unless otherwise specified.

| Parameter  | Conditions                       | Min           | Typ | Max                  | Units      |
|--|----------------------------------|---------------|-----|----------------------|------------|
| Operating Voltage  |                                  | 4.5           |     | 5.5                  | V          |
| Power Supply Rise Time   |                                  | 10            |     | 50 x 10 <sup>6</sup> | ns         |
| $V_{CC}$ Start Voltage to Guarantee POR                              |                                  | 0             |     | 0.25                 | V          |
| Power Supply Ripple (Note 4)   | Peak-to-Peak                     |               |     | 0.1 $V_{CC}$         | V          |
| Supply Current (Note 5)  |                                  |               |     |                      |            |
| CKI = 10 MHz   | $V_{CC} = 5.5V, t_C = 1 \mu s$   |               |     | 6.0                  | mA         |
| CKI = 4 MHz  | $V_{CC} = 4.5V, t_C = 2.5 \mu s$ |               |     | 2.1                  | mA         |
| HALT Current (Note 6)  | $V_{CC} = 5.5V, CKI = 0 MHz$     |               | <4  | 10                   | $\mu A$    |
| IDLE Current (Note 5)  |                                  |               |     |                      |            |
| CKI = 10 MHz   | $V_{CC} = 5.5V, t_C = 1 \mu s$   |               |     | 1.5                  | mA         |
| CKI = 4 MHz  | $V_{CC} = 4.5V, t_C = 2.5 \mu s$ |               |     | 0.8                  | mA         |
| Input Levels ( $V_{IH}, V_{IL}$ )                                    |                                  |               |     |                      |            |
| RESET  |                                  |               |     |                      |            |
| Logic High   |                                  | 0.8 $V_{CC}$  |     |                      | V          |
| Logic Low  |                                  |               |     | 0.2 $V_{CC}$         | V          |
| CKI, All Other Inputs  |                                  |               |     |                      |            |
| Logic High   |                                  | 0.7 $V_{CC}$  |     |                      | V          |
| Logic Low  |                                  |               |     | 0.2 $V_{CC}$         | V          |
| Internal Bias Resistor for the<br>Crystal/Resonator Oscillator       |                                  | 0.5           | 1   | 2                    | M $\Omega$ |
| CKI Resistance to $V_{CC}$ or GND when R/C<br>Oscillator is selected | $V_{CC} = 5.5V$                  | 5             | 8   | 11                   | k $\Omega$ |
| Hi-Z Input Leakage   | $V_{CC} = 5.5V$                  | -5            |     | +5                   | $\mu A$    |
| Input Pullup Current   | $V_{CC} = 5.5V, V_{IN} = 0V$     | -35           |     | -400                 | $\mu A$    |
| G and L Port Input Hysteresis  | $V_{CC} = 5.5V$                  | 0.25 $V_{CC}$ |     |                      | V          |
| Output Current Levels  |                                  |               |     |                      |            |
| D Outputs  |                                  |               |     |                      |            |
| Source   | $V_{CC} = 4.5V, V_{OH} = 3.3V$   | -0.4          |     |                      | mA         |
| Sink   | $V_{CC} = 4.5V, V_{OL} = 1.0V$   | 9             |     |                      | mA         |
| All Others   |                                  |               |     |                      |            |
| Source (Weak Pull-Up Mode)   | $V_{CC} = 4.5V, V_{OH} = 2.7V$   | -9            |     | -140                 | $\mu A$    |
| Source (Push-Pull Mode)  | $V_{CC} = 4.5V, V_{OH} = 3.3V$   | -0.4          |     |                      | mA         |
| Sink (Push-Pull Mode)  | $V_{CC} = 4.5V, V_{OL} = 0.4V$   | 1.4           |     |                      | mA         |
| TRI-STATE Leakage  | $V_{CC} = 5.5V$                  | -5            |     | +5                   | $\mu A$    |
| Allowable Sink Current per Pin (Note 9)                              |                                  |               |     |                      |            |
| D Outputs and L0 to L3   |                                  | 15            |     | 15                   | mA         |
| All Others   |                                  | 3             |     | 3                    | mA         |
| Maximum Input Current without Latchup<br>(Note 7)                    | Room Temp.                       |               |     | ±200                 | mA         |
| RAM Retention Voltage, $V_r$   |                                  | 2.0           |     |                      | V          |
| $V_{CC}$ Rise Time from a $V_{CC} \geq 2.0V$                         | (Note 10)                        | 12            |     |                      | $\mu s$    |

**DC Electrical Characteristics** (Continued)

$-40^{\circ}\text{C} \leq T_A \leq +125^{\circ}\text{C}$  unless otherwise specified.

| Parameter                              | Conditions                 | Min | Typ | Max  | Units |
|--|----------------------------|-----|-----|------|-------|
| EPROM Data Retention (Note 8),(Note 9) | $T_A = 55^{\circ}\text{C}$ |     | >29 |      | years |
| Input Capacitance                      | (Note 9)                   |     |     | 7    | pF    |
| Load Capacitance on D2                 | (Note 9)                   |     |     | 1000 | pF    |

**AC Electrical Characteristics**

$-40^{\circ}\text{C} \leq T_A \leq +125^{\circ}\text{C}$  unless otherwise specified.

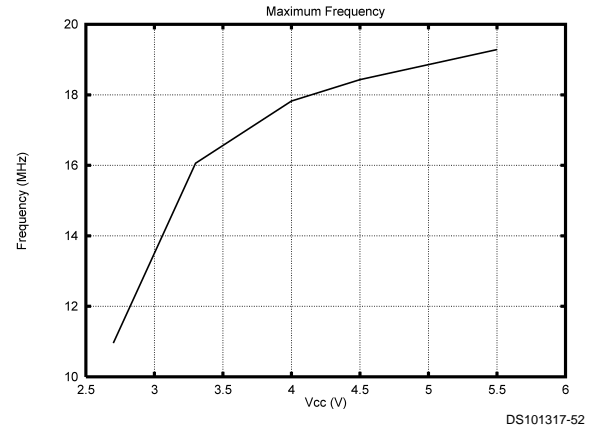
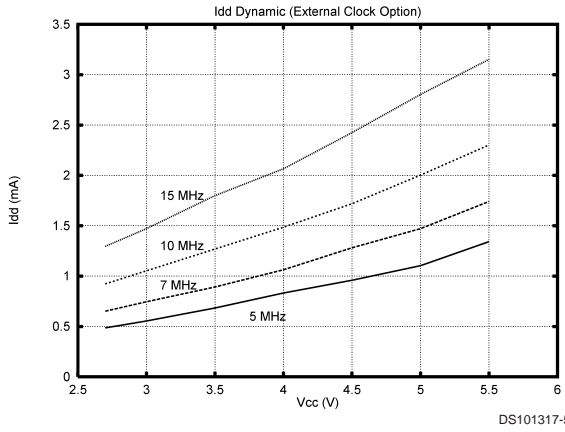
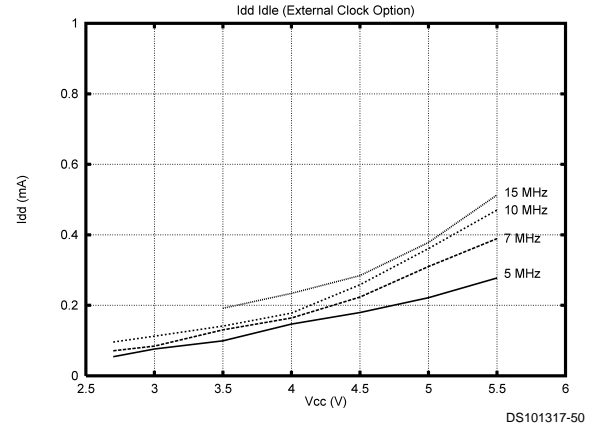
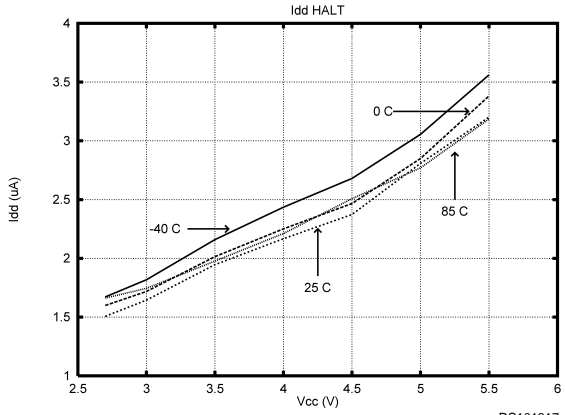
| Parameter  | Conditions                                 | Min | Typ      | Max | Units         |
|--|--|-----|----------|-----|---------------|
| Instruction Cycle Time ( $t_C$ )                           |  |     |          |     |               |
| Crystal/Resonator, External                                | $4.5\text{V} \leq V_{CC} \leq 5.5\text{V}$ | 1   |          |     | $\mu\text{s}$ |
| R/C Oscillator (Internal)                                  | $4.5\text{V} \leq V_{CC} \leq 5.5\text{V}$ |     | 2        |     | $\mu\text{s}$ |
| Frequency Variation (Note 9)                               | $4.5\text{V} \leq V_{CC} \leq 5.5\text{V}$ |     | $\pm 35$ |     | %             |
| External CKI Clock Duty Cycle (Note 9)                     | fr = Max                                   | 45  |          | 55  | %             |
| Rise Time (Note 9)   | fr = 10 MHz Ext Clock                      |     |          | 12  | ns            |
| Fall Time (Note 9)   | fr = 10 MHz Ext Clock                      |     |          | 8   | ns            |
| MICROWIRE Setup Time ( $t_{UWS}$ ) (Note 11)               |  | 20  |          |     | ns            |
| MICROWIRE Hold Time ( $t_{UWH}$ ) (Note 11)                |  | 56  |          |     | ns            |
| MICROWIRE Output Propagation Delay ( $t_{UPD}$ ) (Note 11) |  |     |          | 220 | ns            |
| Input Pulse Width (Note 9)                                 |  |     |          |     |               |
| Interrupt Input High Time                                  |  | 1   |          |     | $t_C$         |
| Interrupt Input Low Time                                   |  | 1   |          |     | $t_C$         |
| Timer 1, 2, 3, Input High Time                             |  | 1   |          |     | $t_C$         |
| Timer 1 2, 3, Input Low Time                               |  | 1   |          |     | $t_C$         |
| Reset Pulse Width  |  | 1   |          |     | $\mu\text{s}$ |

**Comparators AC and DC Characteristics**

$V_{CC} = 5\text{V}$ ,  $-40^{\circ}\text{C} \leq T_A \leq +125^{\circ}\text{C}$ .

| Parameter                                       | Conditions  | Min  | Typ     | Max            | Units         |
|---|---|------|---------|----------------|---------------|
| Input Offset Voltage (Note 12)                  | $0.4\text{V} \leq V_{IN} \leq V_{CC} - 1.5\text{V}$   |      | $\pm 5$ | $\pm 25$       | mV            |
| Input Common Mode Voltage Range                 |   | 0.4  |         | $V_{CC} - 1.5$ | V             |
| Voltage Gain                                    |   |      | 100     |                | dB            |
| Low Level Output Current                        | $V_{OL} = 0.4\text{V}$                                | -1.6 |         |                | mA            |
| High Level Output Current                       | $V_{OH} = V_{CC} - 0.4\text{V}$                       | 1.6  |         |                | mA            |
| DC Supply Current per Comparator (When Enabled) |   |      |         | 150            | $\mu\text{A}$ |
| Response Time (Note 13)                         | 200 mV step input<br>100 mV Overdrive,<br>100 pF Load |      |         | 400            | ns            |

Typical Performance Characteristics  $T_A = 25^\circ\text{C}$  (unless otherwise specified)



## 4.0 Pin Descriptions

The COP8SGx I/O structure enables designers to reconfigure the microcontroller's I/O functions with a single instruction. Each individual I/O pin can be independently configured as output pin low, output high, input with high impedance or input with weak pull-up device. A typical example is the use of I/O pins as the keyboard matrix input lines. The input lines can be programmed with internal weak pull-ups so that the input lines read logic high when the keys are all open. With a key closure, the corresponding input line will read a logic zero since the weak pull-up can easily be overdriven. When the key is released, the internal weak pull-up will pull the input line back to logic high. This eliminates the need for external pull-up resistors. The high current options are available for driving LEDs, motors and speakers. This flexibility helps to ensure a cleaner design, with less external components and lower costs. Below is the general description of all available pins.

$V_{CC}$  and GND are the power supply pins. All  $V_{CC}$  and GND pins must be connected.

CKI is the clock input. This can come from the Internal R/C oscillator, external, or a crystal oscillator (in conjunction with CKO). See Oscillator Description section.

$\overline{RESET}$  is the master reset input. See Reset description section.

Each device contains four bidirectional 8-bit I/O ports (C, G, L and F), where each individual bit may be independently configured as an input (Schmitt trigger inputs on ports L and G), output or TRI-STATE under program control. Three data memory address locations are allocated for each of these I/O ports. Each I/O port has two associated 8-bit memory mapped registers, the CONFIGURATION register and the output DATA register. A memory mapped address is also reserved for the input pins of each I/O port. (See the memory map for the various addresses associated with the I/O ports.) *Figure 5* shows the I/O port configurations. The DATA and CONFIGURATION registers allow for each port bit to be individually configured under software control as shown below:

| CONFIGURATION Register | DATA Register | Port Set-Up                      |
|------------------------|---------------|----------------------------------|
| 0                      | 0             | Hi-Z Input<br>(TRI-STATE Output) |
| 0                      | 1             | Input with Weak Pull-Up          |
| 1                      | 0             | Push-Pull Zero Output            |
| 1                      | 1             | Push-Pull One Output             |

Port L is an 8-bit I/O port. All L-pins have Schmitt triggers on the inputs.

Port L supports the Multi-Input Wake Up feature on all eight pins. Port L has the following alternate pin functions:

- L7 Multi-input Wakeup or T3B (Timer T3B Input)
- L6 Multi-input Wakeup or T3A (Timer T3A Input)
- L5 Multi-input Wakeup or T2B (Timer T2B Input)
- L4 Multi-input Wakeup or T2A (Timer T2A Input)
- L3 Multi-input Wakeup and/or RDX (USART Receive)
- L2 Multi-input Wakeup or TDX (USART Transmit)
- L1 Multi-input Wakeup and/or CKX (USART Clock)
- L0 Multi-input Wakeup

Port G is an 8-bit port. Pin G0, G2–G5 are bi-directional I/O ports. Pin G6 is always a general purpose Hi-Z input. All pins have Schmitt Triggers on their inputs. **Pin G1 serves as the**

**dedicated WATCHDOG output with weak pullup if WATCHDOG feature is selected by the Mask Option register. The pin is a general purpose I/O if WATCHDOG feature is not selected.** If WATCHDOG feature is selected, bit 1 of the Port G configuration and data register does not have any effect on Pin G1 setup. Pin G7 is either input or output depending on the oscillator option selected. With the crystal oscillator option selected, G7 serves as the dedicated output pin for the CKO clock output. With the internal R/C or the external oscillator option selected, G7 serves as a general purpose Hi-Z input pin and is also used to bring the device out of HALT mode with a low to high transition on G7. Since G6 is an input only pin and G7 is the dedicated CKO clock output pin (crystal clock option) or general purpose input (R/C or external clock option), the associated bits in the data and configuration registers for G6 and G7 are used for special purpose functions as outlined below. Reading the G6 and G7 data bits will return zeroes.

Each device will be placed in the HALT mode by writing a "1" to bit 7 of the Port G Data Register. Similarly the device will be placed in the IDLE mode by writing a "1" to bit 6 of the Port G Data Register.

Writing a "1" to bit 6 of the Port G Configuration Register enables the MICROWIRE/PLUS to operate with the alternate phase of the SK clock. The G7 configuration bit, if set high, enables the clock start up delay after HALT when the R/C clock configuration is used.

|    | Config. Reg. | Data Reg. |
|----|--------------|-----------|
| G7 | CLKDLY       | HALT      |
| G6 | Alternate SK | IDLE      |

Port G has the following alternate features:

- G7 CKO Oscillator dedicated output or general purpose input
- G6 SI (MICROWIRE Serial Data Input)
- G5 SK (MICROWIRE Serial Clock)
- G4 SO (MICROWIRE Serial Data Output)
- G3 T1A (Timer T1 I/O)
- G2 T1B (Timer T1 Capture Input)
- G1 WDOUT WATCHDOG and/or CLock Monitor if WATCHDOG enabled, otherwise it is a general purpose I/O
- G0 INTR (External Interrupt Input)

Port C is an 8-bit I/O port. The 40-pin device does not have a full complement of Port C pins. The unavailable pins are not terminated. A read operation on these unterminated pins will return unpredictable values. The 28 pin device do not offer Port C. On this device, the associated Port C Data and Configuration registers should not be used.

Port F is an 8-bit I/O port. The 28--pin device does not have a full complement of Port F pins. The unavailable pins are not terminated. A read operation on these unterminated pins will return unpredictable values.

Port F1–F3 are used for Comparator 1. Port F4–F6 are used for Comparator 2.

The Port F has the following alternate features:

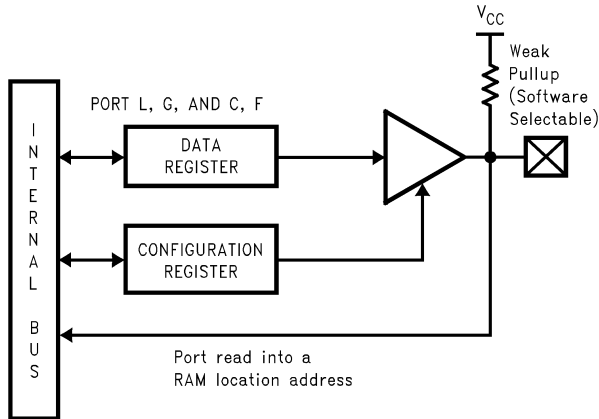
- F6 COMP2OUT (Comparator 2 Output)
- F5 COMP2+IN (Comparator 2 Positive Input)
- F4 COMP2-IN (Comparator 2 Negative Input)
- F3 COMP1OUT (Comparator 1 Output)
- F2 COMP1+IN (Comparator 1 Positive Input)
- F1 COMP1-IN (Comparator 1 Negative Input)

## 4.0 Pin Descriptions (Continued)

**Note:** For compatibility with existing software written for COP888xG devices and with existing Mask ROM devices, a read of the Port I input pins (address xxD7) will return the same data as reading the Port F input pins (address xx96). It is recommended new applications which will go to production with the COP8SGx use the Port F addresses. Note that compatible ROM devices contains the input only Port I instead of the bi-directional Port F.

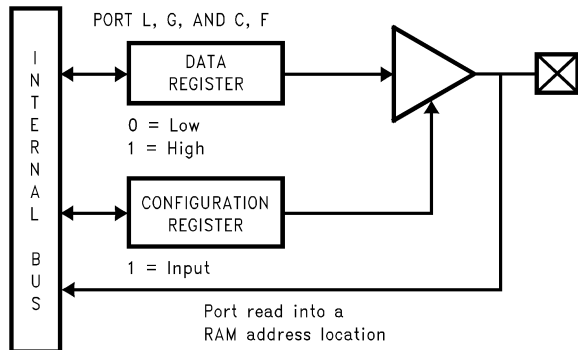
Port D is an 8-bit output port that is preset high when RESET goes low. The user can tie two or more D port outputs (except D2) together in order to get a higher drive.

**Note:** Care must be exercised with the D2 pin operation. At RESET, the external loads on this pin must ensure that the output voltages stay above  $0.7 V_{CC}$  to prevent the chip from entering special modes. Also keep the external loading on D2 to less than 1000 pF.



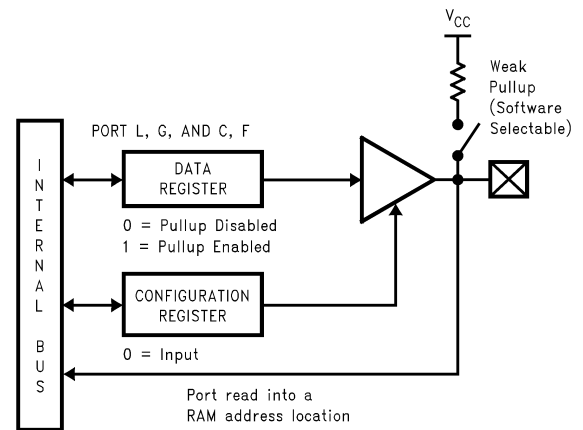
DS101317-10

FIGURE 5. I/O Port Configurations



DS101317-12

FIGURE 6. I/O Port Configurations—Output Mode



DS101317-11

FIGURE 7. I/O Port Configurations—Input Mode

## 5.0 Functional Description

The architecture of the devices are a modified Harvard architecture. With the Harvard architecture, the program memory ROM is separated from the data store memory (RAM). Both ROM and RAM have their own separate addressing space with separate address buses. The architecture, though based on the Harvard architecture, permits transfer of data from ROM to RAM.

### 5.1 CPU REGISTERS

The CPU can do an 8-bit addition, subtraction, logical or shift operation in one instruction ( $t_c$ ) cycle time.

There are six CPU registers:

A is the 8-bit Accumulator Register

PC is the 15-bit Program Counter Register

PU is the upper 7 bits of the program counter (PC)

PL is the lower 8 bits of the program counter (PC)

B is an 8-bit RAM address pointer, which can be optionally post auto incremented or decremented.

X is an 8-bit alternate RAM address pointer, which can be optionally post auto incremented or decremented.

S is the 8-bit Segment Address Register used to extend the lower half of the address range (00 to 7F) into 256 data segments of 128 bytes each.

SP is the 8-bit stack pointer, which points to the subroutine/interrupt stack (in RAM). With reset the SP is initialized to RAM address 02F Hex (devices with 64 bytes of RAM), or initialized to RAM address 06F Hex (devices with 128 bytes of RAM).

All the CPU registers are memory mapped with the exception of the Accumulator (A) and the Program Counter (PC).

### 5.2 PROGRAM MEMORY

The program memory consists of varies sizes of ROM. These bytes may hold program instructions or constant data (data tables for the LAID instruction, jump vectors for the JID instruction, and interrupt vectors for the VIS instruction). The program memory is addressed by the 15-bit program counter (PC). All interrupts in the device vector to program memory location 0FF Hex. The contents of the program memory read 00 Hex in the erased state. Program execution starts at location 0 after RESET.

## 5.0 Functional Description (Continued)

### 5.3 DATA MEMORY

The data memory address space includes the on-chip RAM and data registers, the I/O registers (Configuration, Data and Pin), the control registers, the MICROWIRE/PLUS SIO shift register, and the various registers, and counters associated with the timers (with the exception of the IDLE timer). Data memory is addressed directly by the instruction or indirectly by the B, X and SP pointers.

The data memory consists of 256 or 512 bytes of RAM. Sixteen bytes of RAM are mapped as "registers" at addresses 0F0 to 0FE Hex. These registers can be loaded immediately, and also decremented and tested with the DRSZ (decrement register and skip if zero) instruction. The memory pointer registers X, SP and B are memory mapped into this space at address locations 0FC to 0FE Hex respectively, with the other registers (except 0FF) being available for general usage.

The instruction set permits any bit in memory to be set, reset or tested. All I/O and registers (except A and PC) are memory mapped; therefore, I/O bits and register bits can be directly and individually set, reset and tested. The accumulator (A) bits can also be directly and individually tested.

**Note:** RAM contents are undefined upon power-up.

### 5.4 DATA MEMORY SEGMENT RAM EXTENSION

Data memory address 0FF is used as a memory mapped location for the Data Segment Address Register (S).

The data store memory is either addressed directly by a single byte address within the instruction, or indirectly relative to the reference of the B, X, or SP pointers (each contains a single-byte address). This single-byte address allows an addressing range of 256 locations from 00 to FF

hex. The upper bit of this single-byte address divides the data store memory into two separate sections as outlined previously. With the exception of the RAM register memory from address locations 00F0 to 00FF, all RAM memory is memory mapped with the upper bit of the single-byte address being equal to zero. This allows the upper bit of the single-byte address to determine whether or not the base address range (from 0000 to 00FF) is extended. If this upper bit equals one (representing address range 0080 to 00FF), then address extension does not take place. Alternatively, if this upper bit equals zero, then the data segment extension register S is used to extend the base address range (from 0000 to 007F) from XX00 to XX7F, where XX represents the 8 bits from the S register. Thus the 128-byte data segment extensions are located from addresses 0100 to 017F for data segment 1, 0200 to 027F for data segment 2, etc., up to FF00 to FF7F for data segment 255. The base address range from 0000 to 007F represents data segment 0.

Figure 8 illustrates how the S register data memory extension is used in extending the lower half of the base address range (00 to 7F hex) into 256 data segments of 128 bytes each, with a total addressing range of 32 kbytes from XX00 to XX7F. This organization allows a total of 256 data segments of 128 bytes each with an additional upper base segment of 128 bytes. Furthermore, all addressing modes are available for all data segments. The S register must be changed under program control to move from one data segment (128 bytes) to another. However, the upper base segment (containing the 16 memory registers, I/O registers, control registers, etc.) is always available regardless of the contents of the S register, since the upper base segment (address range 0080 to 00FF) is independent of data segment extension.

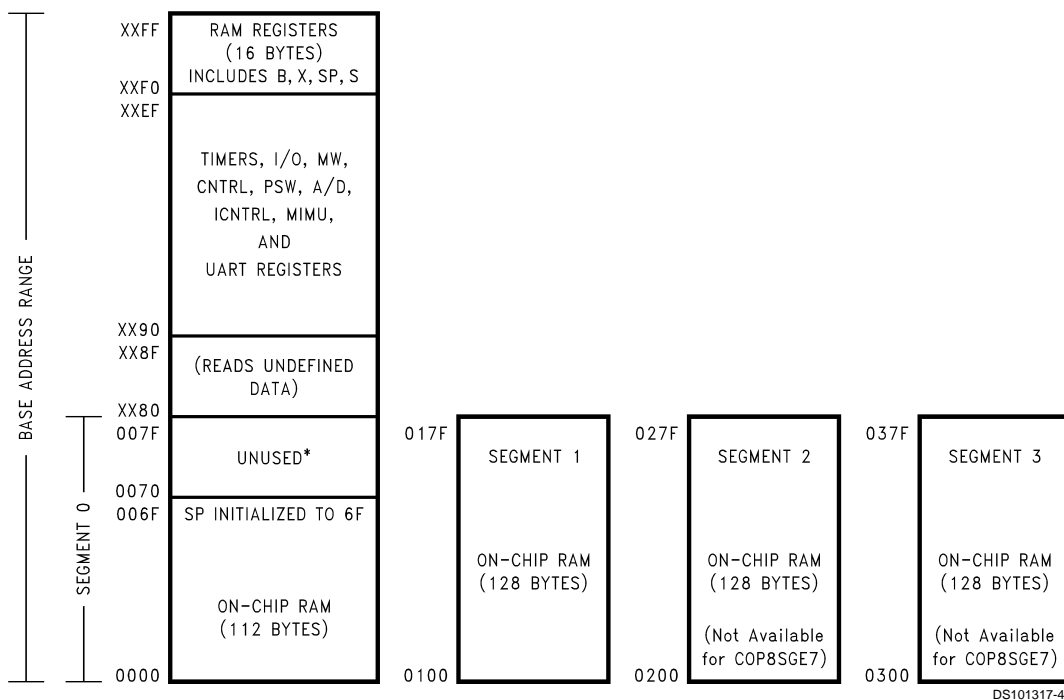


FIGURE 8. RAM Organization

The instructions that utilize the stack pointer (SP) always reference the stack as part of the base segment (Segment

0), regardless of the contents of the S register. The S register is not changed by these instructions. Consequently, the

## 5.0 Functional Description (Continued)

stack (used with subroutine linkage and interrupts) is always located in the base segment. The stack pointer will be initialized to point at data memory location 006F as a result of reset.

The 128 bytes of RAM contained in the base segment are split between the lower and upper base segments. The first 112 bytes of RAM are resident from address 0000 to 006F in the lower base segment, while the remaining 16 bytes of RAM represent the 16 data memory registers located at addresses 00F0 to 00FF of the upper base segment. No RAM is located at the upper sixteen addresses (0070 to 007F) of the lower base segment.

Additional RAM beyond these initial 128 bytes, however, will always be memory mapped in groups of 128 bytes (or less) at the data segment address extensions (XX00 to XX7F) of the lower base segment. The additional 384 bytes of RAM in this device are memory mapped at address locations 0100 to 017F, 0200 to 027F and 0300 to 037F hex.

Memory address ranges 0200 to 027F and 0300 to 037F are unavailable on the COP8SGx5 and, if read, will return undefined data.

### 5.5 ECON (CONFIGURATION) REGISTER

For compatibility with COP8SGx7 devices, mask options are defined by an ECON Configuration Register which is programmed at the same time as the program code. Therefore, the register is programmed at the same time as the program memory.

The format of the ECON register is as follows:

| Bit 7 | Bit 6 | Bit 5    | Bit 4 | Bit 3 | Bit 2        | Bit 1  | Bit 0 |
|-------|-------|----------|-------|-------|--------------|--------|-------|
| X     | POR   | SECURITY | CKI 2 | CKI 1 | WATCH<br>DOG | F-Port | HALT  |

- Bit 7 = x This is for factory test. The polarity is "Don't Care."
- Bit 6 = 1 Power-on reset enabled.  
= 0 Power-on reset disabled.
- Bit 5 = 1 Security enabled.
- Bits 4, 3 = 0, 0 External CKI option selected. G7 is available as a HALT restart and/or general purpose input. CKI is clock input.  
= 0, 1 R/C oscillator option selected. G7 is available as a HALT restart and/or general purpose input. CKI clock input. Internal R/C components are supplied for maximum R/C frequency.  
= 1, 0 Crystal oscillator with on-chip crystal bias resistor disabled. G7 (CKO) is the clock generator output to crystal/resonator.  
= 1, 1 Crystal oscillator with on-chip crystal bias resistor enabled. G7 (CKO) is the clock generator output to crystal/resonator.
- Bit 2 = 1 WATCHDOG feature disabled. G1 is a general purpose I/O.  
= 0 WATCHDOG feature enabled. G1 pin is WATCHDOG output with weak pullup.
- Bit 1 = 1 Force port I compatibility. Disable port F outputs and pull-ups. This is intended for compatibility with existing code and Mask ROMmed devices only. This bit should be programmed to 0 for all other applications.  
= 0 Enable full port F capability.

- Bit 0 = 1 HALT mode disabled.  
= 0 HALT mode enabled.

### 5.6 USER STORAGE SPACE IN EPROM

The ECON register is outside of the normal address range of the ROM and can not be accessed by the executing software.

The COP8 assembler defines a special ROM section type, CONF, into which the ECON may be coded. Both ECON and User Data are programmed automatically by programmers that are certified by National.

The following examples illustrate the declaration of ECON and the User information.



## 5.0 Functional Description (Continued)

Syntax:

```
[label:] .sect econ, conf
        .db value ;1 byte,
           ;configures options
        .db <user information>
        .endsect ; up to 8 bytes
```

Example: The following sets a value in the ECON register and User Identification for a COP8SGR728M7. The ECON bit values shown select options: Power-on enabled, Security disabled, Crystal oscillator with on-chip bias disabled, WATCHDOG enabled and HALT mode enabled.

```
.sect econ, conf
.db 0x55 ;por, xtal, wd, halt
.db 'my v1.00' ;user data declaration
.endsect
```

### 5.7 OTP SECURITY

The device has a security feature that, when enabled, prevents external reading of the OTP program memory. The security bit in the ECON register determines, whether security is enabled or disabled. If the security feature is disabled, the contents of the internal EPROM may be read.

**If the security feature is enabled, then any attempt to externally read the contents of the EPROM will result in the value FF Hex being read from all program locations Under no circumstances can a secured part be read.** In addition, with the security feature enabled, the write operation to the EPROM program memory and ECON register is inhibited. The ECON register is readable regardless of the state of the security bit. The security bit, when set, **cannot** be erased, **even in windowed packages**. If the security bit is set in a device in a windowed package, that device may be erased but will not be further programmable.

If security is being used, it is recommended that all other bits in the ECON register be programmed first. Then the security bit can be programmed.

### 5.8 ERASURE CHARACTERISTICS

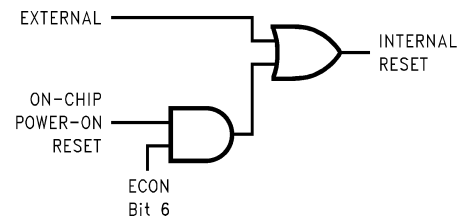
The erasure characteristics of the device are such that erasure begins to occur when exposed to light with wavelengths shorter than approximately 4000 Angstroms (Å). It should be noted that sunlight and certain types of fluorescent lamps have wavelengths in the 3000Å - 4000Å range.

After programming, opaque labels should be placed over the window of windowed devices to prevent unintentional erasure. Covering the window will also prevent temporary functional failure due to the generation of photo currents.

The recommended erasure procedure for windowed devices is exposure to short wave ultraviolet light which has a wavelength of 2537 Angstroms (Å). The integrated dose (i.e. UV intensity X exposure time) for erasure should be a minimum of 15W-sec/cm<sup>2</sup>.

### 5.9 RESET

The devices are initialized when the **RESET** pin is pulled low or the On-chip Power-On Reset is enabled.



DS101317-13

FIGURE 9. Reset Logic

The following occurs upon initialization:

Port L: TRI-STATE (High Impedance Input)

Port C: TRI-STATE (High Impedance Input)

Port G: TRI-STATE (High Impedance Input)

Port F: TRI-STATE (High Impedance Input)

Port D: HIGH

PC: CLEARED to 0000

PSW, CNTRL and ICNTRL registers: CLEARED

SIOR:

UNAFFECTED after RESET with power already applied

RANDOM after RESET at power-on

T2CNTRL: CLEARED

T3CNTRL: CLEARED

Accumulator, Timer 1, Timer 2 and Timer 3:

RANDOM after RESET with crystal clock option  
(power already applied)

UNAFFECTED after RESET with R/C clock option  
(power already applied)

RANDOM after RESET at power-on

WKEN, WKEDG: CLEARED

WKPND: RANDOM

SP (Stack Pointer):

Initialized to RAM address 06F Hex

B and X Pointers:

UNAFFECTED after RESET with power already applied

RANDOM after RESET at power-on

S Register: CLEARED

RAM:

UNAFFECTED after RESET with power already applied

RANDOM after RESET at power-on

USART:

PSR, ENU, ENUR, ENUI: Cleared except the TBMT bit  
which is set to one.

COMPARATORS:

CMPSL; CLEARED

WATCHDOG (if enabled):

The device comes out of reset with both the WATCHDOG logic and the Clock Monitor detector armed, with the WATCHDOG service window bits set and the Clock Monitor bit set. The WATCHDOG and Clock Monitor circuits are inhibited during reset. The WATCHDOG service window bits being initialized high default to the maximum WATCHDOG service window of 64k t<sub>C</sub> clock cycles. The Clock Monitor bit being initialized high will cause a Clock Monitor error following reset if the clock has not reached the minimum specified frequency at the termination of reset. A Clock Monitor error will cause an active low error output on pin G1. This error

## 5.0 Functional Description (Continued)

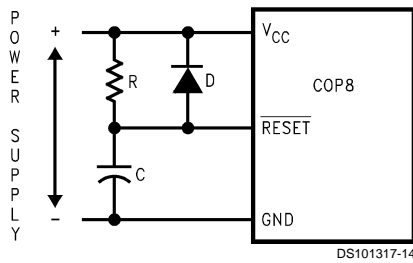
output will continue until  $16 t_C$ – $32 t_C$  clock cycles following the clock frequency reaching the minimum specified value, at which time the G1 output will go high.

### 5.9.1 External Reset

The  $\overline{\text{RESET}}$  input when pulled low initializes the device. The  $\overline{\text{RESET}}$  pin must be held low for a minimum of one instruction cycle to guarantee a valid reset. During Power-Up initialization, the user must ensure that the  $\overline{\text{RESET}}$  pin is held low until the device is within the specified  $V_{CC}$  voltage. An R/C circuit on the  $\overline{\text{RESET}}$  pin with a delay 5 times (5x) greater than the power supply rise time or  $15 \mu\text{s}$  whichever is greater, is recommended. Reset should also be wide enough to ensure crystal start-up upon Power-Up.

$\overline{\text{RESET}}$  may also be used to cause an exit from the HALT mode.

A recommended reset circuit for this device is shown in Figure 10.



$RC > 5x$  power supply rise time or  $15 \mu\text{s}$ , whichever is greater.

FIGURE 10. Reset Circuit Using External Reset

### 5.9.2 On-Chip Power-On Reset

The on-chip reset circuit is selected by a bit in the ECON register. When enabled, the device generates an internal reset as  $V_{CC}$  rises to a voltage level above 2.0V. The on-chip reset circuitry is able to detect both fast and slow rise times on  $V_{CC}$  ( $V_{CC}$  rise time between 10 ns and 50 ms). To guarantee an on-chip power-on-reset,  $V_{CC}$  must start at a voltage less than the start voltage specified in the DC characteristics. Also, if  $V_{CC}$  be lowered to the start voltage before powering back up to the operating range. If this is not possible, it is recommended that external reset be used.

Under no circumstances should the  $\overline{\text{RESET}}$  pin be allowed to float. If the on-chip Power-On Reset feature is being used,  $\overline{\text{RESET}}$  pin should be connected directly, or through a pull-up resistor, to  $V_{CC}$ . The output of the power-on reset detector will **always** preset the Idle timer to 0FFF ( $4096 t_C$ ). At this time, the internal reset will be generated.

If the Power-On Reset feature is enabled, the internal reset will not be turned off until the Idle timer underflows. The internal reset will perform the same functions as external reset. The user is responsible for ensuring that  $V_{CC}$  is at the minimum level for the operating frequency within the  $4096 t_C$ . After the underflow, the logic is designed such that no additional internal resets occur as long as  $V_{CC}$  remains above 2.0V.

The contents of data registers and RAM are unknown following the on-chip reset.

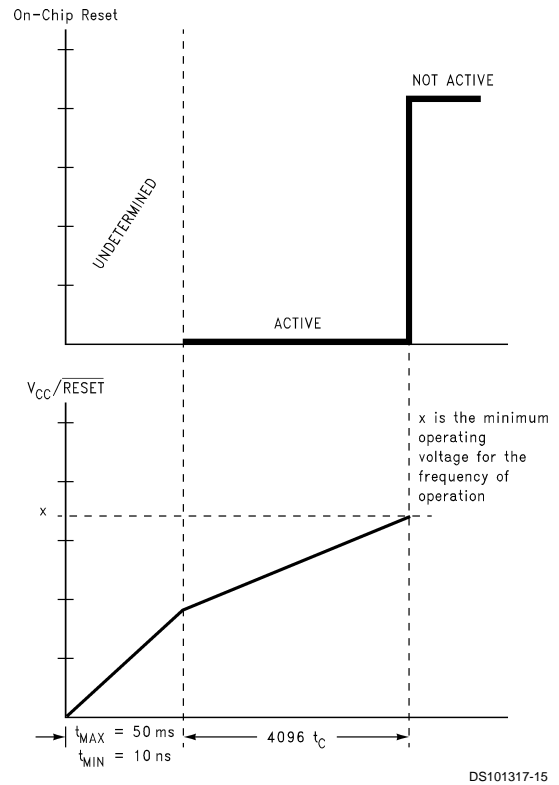


FIGURE 11. Reset Timing (Power-On Reset Enabled) with  $V_{CC}$  Tied to  $\overline{\text{RESET}}$

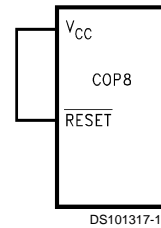


FIGURE 12. Reset Circuit Using Power-On Reset

## 5.10 OSCILLATOR CIRCUITS

There are four clock oscillator options available: Crystal Oscillator with or without on-chip bias resistor, R/C Oscillator with on-chip resistor and capacitor, and External Oscillator. The oscillator feature is selected by programming the ECON register, which is summarized in Table 1.

TABLE 1. Oscillator Option

| ECON4 | ECON3 | Oscillator Option                        |
|-------|-------|--|
| 0     | 0     | External Oscillator                      |
| 1     | 0     | Crystal Oscillator without Bias Resistor |
| 0     | 1     | R/C Oscillator                           |
| 1     | 1     | Crystal Oscillator with Bias Resistor    |

## 5.0 Functional Description (Continued)

### 5.10.1 Crystal Oscillator

The crystal Oscillator mode can be selected by programming ECON Bit 4 to 1. CKI is the clock input while G7/CKO is the clock generator output to the crystal. An on-chip bias resistor connected between CKI and CKO can be enabled by programming ECON Bit 3 to 1 with the crystal oscillator option selection. The value of the resistor is in the range of 0.5M to 2M (typically 1.0M). *Table 2* shows the component values required for various standard crystal values. Resistor R2 is only used when the on-chip bias resistor is disabled. *Figure 13* shows the crystal oscillator connection diagram.

**TABLE 2. Crystal Oscillator Configuration,**  
 $T_A = 25^\circ\text{C}$ ,  $V_{CC} = 5\text{V}$

| R1 (k $\Omega$ ) | R2 (M $\Omega$ ) | C1 (pF) | C2 (pF) | CKI Freq. (MHz) |
|------------------|------------------|---------|---------|-----------------|
| 0                | 1                | 18      | 18      | 15              |
| 0                | 1                | 20      | 20      | 10              |
| 0                | 1                | 25      | 25      | 4               |
| 5.6              | 1                | 100     | 100–156 | 0.455           |

### 5.10.2 External Oscillator

The External Oscillator mode can be selected by programming ECON Bit 3 to 0 and ECON Bit 4 to 0. CKI can be driven by an external clock signal provided it meets the specified duty cycle, rise and fall times, and input levels. G7/CKO is available as a general purpose input G7 and/or Halt control. *Figure 14* shows the external oscillator connection diagram.

### 5.10.3 R/C Oscillator

The R/C Oscillator mode can be selected by programming ECON Bit 3 to 1 and ECON Bit 4 to 0. In R/C oscillation mode, CKI is left floating, while G7/CKO is available as a

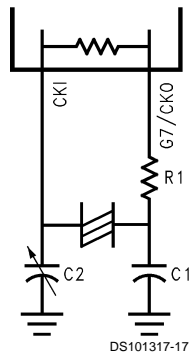
general purpose input G7 and/or HALT control. The R/C controlled oscillator has on-chip resistor and capacitor for maximum R/C oscillator frequency operation. The maximum frequency is  $5\text{ MHz} \pm 35\%$  for  $V_{CC}$  between 4.5V to 5.5V and temperature range of  $-40^\circ\text{C}$  to  $+85^\circ\text{C}$ . For max frequency operation, the CKI pin should be left floating. For lower frequencies, an external capacitor should be connected between CKI and either  $V_{CC}$  or GND. Immunity of the R/C oscillator to external noise can be improved by connecting one half the external capacitance to  $V_{CC}$  and one half to GND. PC board trace length on the CKI pin should be kept as short as possible. *Table 3* shows the oscillator frequency as a function of external capacitance on the CKI pin. *Figure 15* shows the R/C oscillator configuration.

**TABLE 3. R/C Oscillator Configuration,**  
 $-40^\circ\text{C}$  to  $+85^\circ\text{C}$ ,  $V_{CC} = 4.5\text{V}$  to  $5.5\text{V}$ ,  
OSC Freq. Variation of  $\pm 35\%$

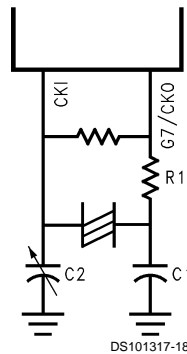
| External Capacitor (pF)* | R/C OSC Freq (MHz) | Instr. Cycle ( $\mu\text{s}$ ) |
|--------------------------|--------------------|--------------------------------|
| 0                        | 5                  | 2.0                            |
| 9                        | 4                  | 2.5                            |
| 52                       | 2                  | 5.0                            |
| 125                      | 1                  | 10                             |
| 6100                     | 32 kHz             | 312.5                          |

\* Assumes 3-5 pF board capacitance.

**With On-Chip Bias Resistor**

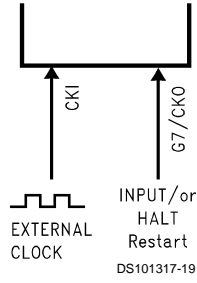


**Without On-Chip Bias Resistor**

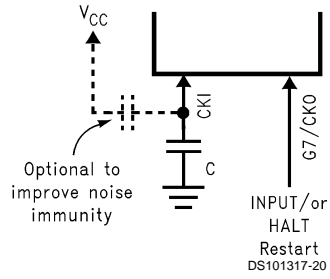


**FIGURE 13. Crystal Oscillator**

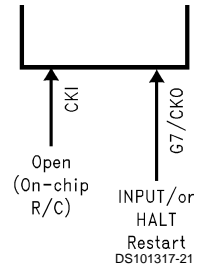
## 5.0 Functional Description (Continued)



**FIGURE 14. External Oscillator**



For operation at lower than maximum R/C oscillator frequency.



For operation at maximum R/C oscillator frequency.

**FIGURE 15. R/C Oscillator**

## 5.0 Functional Description (Continued)

### 5.11 CONTROL REGISTERS

#### CNTRL Register (Address X'00EE)

|       |      |      |      |      |      |     |       |
|-------|------|------|------|------|------|-----|-------|
| T1C3  | T1C2 | T1C1 | T1C0 | MSEL | IEDG | SL1 | SL0   |
| Bit 7 |      |      |      |      |      |     | Bit 0 |

The Timer1 (T1) and MICROWIRE/PLUS control register contains the following bits:

|           |   |
|-----------|---|
| T1C3      | Timer T1 mode control bit   |
| T1C2      | Timer T1 mode control bit   |
| T1C1      | Timer T1 mode control bit   |
| T1C0      | Timer T1 Start/Stop control in timer modes 1 and 2, T1 Underflow Interrupt Pending Flag in timer mode 3 |
| MSEL      | Selects G5 and G4 as MICROWIRE/PLUS signals SK and SO respectively                                      |
| IEDG      | External interrupt edge polarity select (0 = Rising edge, 1 = Falling edge)                             |
| SL1 & SL0 | Select the MICROWIRE/PLUS clock divide by (00 = 2, 01 = 4, 1x = 8)                                      |

#### PSW Register (Address X'00EF)

|       |   |       |       |       |      |      |       |
|-------|---|-------|-------|-------|------|------|-------|
| HC    | C | T1PND | T1ENA | EXPND | BUSY | EXEN | GIE   |
| Bit 7 |   |       |       |       |      |      | Bit 0 |

The PSW register contains the following select bits:

|       |   |
|-------|---|
| HC    | Half Carry Flag   |
| C     | Carry Flag  |
| T1PND | Timer T1 Interrupt Pending Flag (Autoreload RA in mode 1, T1 Underflow in Mode 2, T1A capture edge in mode 3) |
| T1ENA | Timer T1 Interrupt Enable for Timer Underflow or T1A Input capture edge                                       |
| EXPND | External interrupt pending  |
| BUSY  | MICROWIRE/PLUS busy shifting flag   |
| EXEN  | Enable external interrupt   |
| GIE   | Global interrupt enable (enables interrupts)  |

The Half-Carry flag is also affected by all the instructions that affect the Carry flag. The SC (Set Carry) and R/C (Reset Carry) instructions will respectively set or clear both the carry flags. In addition to the SC and R/C instructions, ADC, SUBC, RRC and RLC instructions affect the Carry and Half Carry flags.

#### ICNTRL Register (Address X'00E8)

|          |      |       |      |            |           |        |       |
|----------|------|-------|------|------------|-----------|--------|-------|
| Reserved | LPEN | TOPND | TOEN | $\mu$ WPND | $\mu$ WEN | T1PNDB | T1ENB |
| Bit 7    |      |       |      |            |           |        | Bit 0 |

The ICNTRL register contains the following bits:

|            |  |
|------------|--|
| Reserved   | This bit is reserved and must be zero                  |
| LPEN       | L Port Interrupt Enable (Multi-Input Wakeup/Interrupt) |
| TOPND      | Timer T0 Interrupt pending                             |
| TOEN       | Timer T0 Interrupt Enable (Bit 12 toggle)              |
| $\mu$ WPND | MICROWIRE/PLUS interrupt pending                       |
| $\mu$ WEN  | Enable MICROWIRE/PLUS interrupt                        |
| T1PNDB     | Timer T1 Interrupt Pending Flag for T1B capture edge   |

T1ENB Timer T1 Interrupt Enable for T1B Input capture edge

#### T2CNTRL Register (Address X'00C6)

|       |      |      |      |        |       |        |       |
|-------|------|------|------|--------|-------|--------|-------|
| T2C3  | T2C2 | T2C1 | T2C0 | T2PNDA | T2ENA | T2PNDB | T2ENB |
| Bit 7 |      |      |      |        |       |        | Bit 0 |

The T2CNTRL control register contains the following bits:

|        |   |
|--------|---|
| T2C3   | Timer T2 mode control bit   |
| T2C2   | Timer T2 mode control bit   |
| T2C1   | Timer T2 mode control bit   |
| T2C0   | Timer T2 Start/Stop control in timer modes 1 and 2, T2 Underflow Interrupt Pending Flag in timer mode 3       |
| T2PNDA | Timer T2 Interrupt Pending Flag (Autoreload RA in mode 1, T2 Underflow in mode 2, T2A capture edge in mode 3) |
| T2ENA  | Timer T2 Interrupt Enable for Timer Underflow or T2A Input capture edge                                       |
| T2PNDB | Timer T2 Interrupt Pending Flag for T2B capture edge  |
| T2ENB  | Timer T2 Interrupt Enable for Timer Underflow or T2B Input capture edge                                       |

#### T3CNTRL Register (Address X'00B6)

|       |      |      |      |        |       |        |       |
|-------|------|------|------|--------|-------|--------|-------|
| T3C3  | T3C2 | T3C1 | T3C0 | T3PNDA | T3ENA | T3PNDB | T3ENB |
| Bit 7 |      |      |      |        |       |        | Bit 0 |

The T3CNTRL control register contains the following bits:

|        |   |
|--------|---|
| T3C3   | Timer T3 mode control bit   |
| T3C2   | Timer T3 mode control bit   |
| T3C1   | Timer T3 mode control bit   |
| T3C0   | Timer T3 Start/Stop control in timer modes 1 and 2, T3 Underflow Interrupt Pending Flag in timer mode 3       |
| T3PNDA | Timer T3 Interrupt Pending Flag (Autoreload RA in mode 1, T3 Underflow in mode 2, T3A capture edge in mode 3) |
| T3ENA  | Timer T3 Interrupt Enable for Timer Underflow or T3A Input capture edge                                       |
| T3PNDB | Timer T3 Interrupt Pending Flag for T3B capture edge  |
| T3ENB  | Timer T3 Interrupt Enable for Timer Underflow or T3B Input capture edge                                       |

## 6.0 Timers

Each device contains a very versatile set of timers (T0, T1, T2 and T3). Timer T1, T2 and T3 and associated autoreload/capture registers power up containing random data.

### 6.1 TIMER T0 (IDLE TIMER)

Each device supports applications that require maintaining real time and low power with the IDLE mode. This IDLE mode support is furnished by the IDLE timer T0. The Timer T0 runs continuously at the fixed rate of the instruction cycle clock,  $t_c$ . The user cannot read or write to the IDLE Timer T0, which is a count down timer.

The Timer T0 supports the following functions:

- Exit out of the Idle Mode (See Idle Mode description)
- WATCHDOG logic (See WATCHDOG description)
- Start up delay out of the HALT mode

## 6.0 Timers (Continued)

- Timing the width of the internal power-on-reset

The IDLE Timer T0 can generate an interrupt when the twelfth bit toggles. This toggle is latched into the T0PND pending flag, and will occur every 2.731 ms at the maximum clock frequency ( $t_c = 0.67 \mu\text{s}$ ). A control flag T0EN allows the interrupt from the twelfth bit of Timer T0 to be enabled or disabled. Setting T0EN will enable the interrupt, while resetting it will disable the interrupt.

### 6.2 TIMER T1, TIMER T2 and TIMER T3

Each device have a set of three powerful timer/counter blocks, T1, T2 and T3. Since T1, T2, and T3 are identical, all comments are equally applicable to any of the three timer blocks which will be referred to as Tx.

Each timer block consists of a 16-bit timer, Tx, and two supporting 16-bit autoreload/capture registers, RxA and RxB. Each timer block has two pins associated with it, TxA and TxB. The pin TxA supports I/O required by the timer block, while the pin TxB is an input to the timer block. The timer block has three operating modes: Processor Independent PWM mode, External Event Counter mode, and Input Capture mode.

The control bits TxC3, TxC2, and TxC1 allow selection of the different modes of operation.

#### 6.2.1 Mode 1. Processor Independent PWM Mode

One of the timer's operating modes is the Processor Independent PWM mode. In this mode, the timer generates a "Processor Independent" PWM signal because once the timer is setup, no more action is required from the CPU which translates to less software overhead and greater throughput. The user software services the timer block only when the PWM parameters require updating. This capability is provided by the fact that the timer has two separate 16-bit reload registers. One of the reload registers contains the "ON" timer while the other holds the "OFF" time. By contrast, a microcontroller that has only a single reload register requires an additional software to update the reload value (alternate between the on-time/off-time).

The timer can generate the PWM output with the width and duty cycle controlled by the values stored in the reload registers. The reload registers control the countdown values

and the reload values are automatically written into the timer when it counts down through 0, generating interrupt on each reload. Under software control and with minimal overhead, the PWM outputs are useful in controlling motors, triacs, the intensity of displays, and in providing inputs for data acquisition and sine wave generators.

In this mode, the timer Tx counts down at a fixed rate of  $t_c$ . Upon every underflow the timer is alternately reloaded with the contents of supporting registers, RxA and RxB. The very first underflow of the timer causes the timer to reload from the register RxA. Subsequent underflows cause the timer to be reloaded from the registers alternately beginning with the register RxB.

Figure 16 shows a block diagram of the timer in PWM mode.

The underflows can be programmed to toggle the TxA output pin. The underflows can also be programmed to generate interrupts.

Underflows from the timer are alternately latched into two pending flags, TxPNDA and TxPNDB. The user must reset these pending flags under software control. Two control enable flags, TxENA and TxENB, allow the interrupts from the timer underflow to be enabled or disabled. Setting the timer enable flag TxENA will cause an interrupt when a timer underflow causes the RxA register to be reloaded into the timer. Setting the timer enable flag TxENB will cause an interrupt when a timer underflow causes the RxB register to be reloaded into the timer. Resetting the timer enable flags will disable the associated interrupts.

Either or both of the timer underflow interrupts may be enabled. This gives the user the flexibility of interrupting once per PWM period on either the rising or falling edge of the PWM output. Alternatively, the user may choose to interrupt on both edges of the PWM output.

#### 6.2.2 Mode 2. External Event Counter Mode

This mode is quite similar to the processor independent PWM mode described above. The main difference is that the timer, Tx, is clocked by the input signal from the TxA pin. The Tx timer control bits, TxC3, TxC2 and TxC1 allow the timer to be clocked either on a positive or negative edge from the TxA pin. Underflows from the timer are latched into the TxPNDA pending flag. Setting the TxENA control flag will cause an interrupt when the timer underflows.

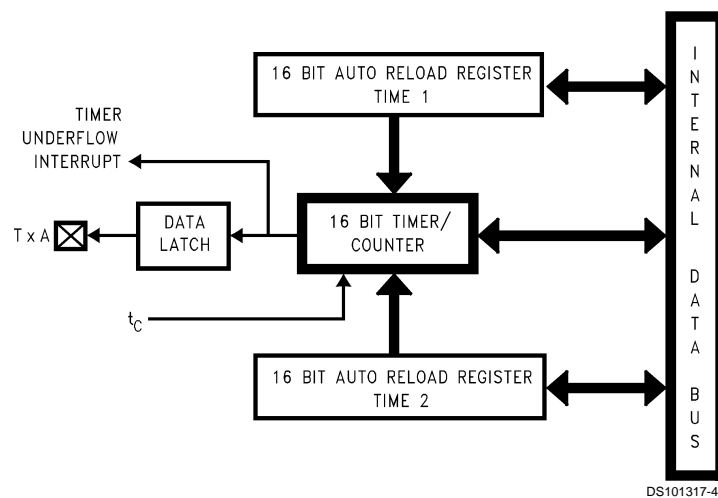


FIGURE 16. Timer in PWM Mode

## 6.0 Timers (Continued)

In this mode the input pin TxB can be used as an independent positive edge sensitive interrupt input if the TxENB control flag is set. The occurrence of a positive edge on the TxB input pin is latched into the TxPNDB flag.

Figure 17 shows a block diagram of the timer in External Event Counter mode.

**Note:** The PWM output is not available in this mode since the TxA pin is being used as the counter input clock.

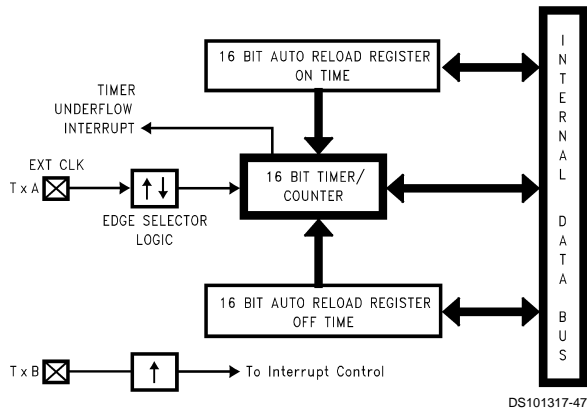


FIGURE 17. Timer in External Event Counter Mode

### 6.2.3 Mode 3. Input Capture Mode

Each device can precisely measure external frequencies or time external events by placing the timer block, Tx, in the input capture mode. In this mode, the reload registers serve as independent capture registers, capturing the contents of the timer when an external event occurs (transition on the timer input pin). The capture registers can be read while maintaining count, a feature that lets the user measure elapsed time and time between events. By saving the timer

value when the external event occurs, the time of the external event is recorded. Most microcontrollers have a latency time because they cannot determine the timer value when the external event occurs. The capture register eliminates the latency time, thereby allowing the applications program to retrieve the timer value stored in the capture register.

In this mode, the timer Tx is constantly running at the fixed  $t_C$  rate. The two registers, RxA and RxB, act as capture registers. Each register acts in conjunction with a pin. The register RxA acts in conjunction with the TxA pin and the register RxB acts in conjunction with the TxB pin.

The timer value gets copied over into the register when a trigger event occurs on its corresponding pin. Control bits, TxC3, TxC2 and TxC1, allow the trigger events to be specified either as a positive or a negative edge. The trigger condition for each input pin can be specified independently.

The trigger conditions can also be programmed to generate interrupts. The occurrence of the specified trigger condition on the TxA and TxB pins will be respectively latched into the pending flags, TxPNDA and TxPNDB. The control flag TxENA allows the interrupt on TxA to be either enabled or disabled. Setting the TxENA flag enables interrupts to be generated when the selected trigger condition occurs on the TxA pin. Similarly, the flag TxENB controls the interrupts from the TxB pin.

Underflows from the timer can also be programmed to generate interrupts. Underflows are latched into the timer TxC0 pending flag (the TxC0 control bit serves as the timer underflow interrupt pending flag in the Input Capture mode). Consequently, the TxC0 control bit should be reset when entering the Input Capture mode. The timer underflow interrupt is enabled with the TxENA control flag. When a TxA interrupt occurs in the Input Capture mode, the user must check both the TxPNDA and TxC0 pending flags in order to determine whether a TxA input capture or a timer underflow (or both) caused the interrupt.

Figure 18 shows a block diagram of the timer T1 in Input Capture mode. Timer T2 and T3 are identical to T1.

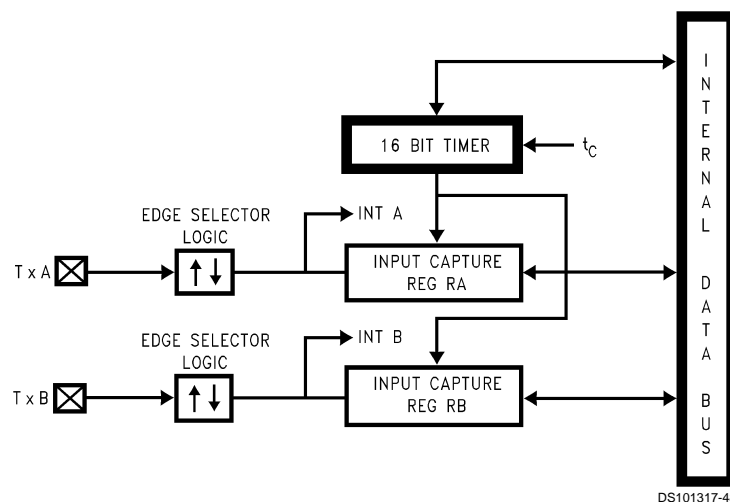


FIGURE 18. Timer in Input Capture Mode

## 6.0 Timers (Continued)

### 6.3 TIMER CONTROL FLAGS

The control bits and their functions are summarized below.

|      |   |
|------|---|
| TxC3 | Timer mode control  |
| TxC2 | Timer mode control  |
| TxC1 | Timer mode control  |
| TxC0 | Timer Start/Stop control in Modes 1 and 2 (Processor Independent PWM and External Event Counter), where 1 = Start, 0 = Stop |
|      | Timer Underflow Interrupt Pending Flag in Mode 3 (Input Capture)  |

|        |                              |
|--------|------------------------------|
| TxPNDA | Timer Interrupt Pending Flag |
| TxENA  | Timer Interrupt Enable Flag  |
|        | 1 = Timer Interrupt Enabled  |
|        | 0 = Timer Interrupt Disabled |
| TxPNDB | Timer Interrupt Pending Flag |
| TxENB  | Timer Interrupt Enable Flag  |
|        | 1 = Timer Interrupt Enabled  |
|        | 0 = Timer Interrupt Disabled |

The timer mode control bits (TxC3, TxC2 and TxC1) are detailed below:

| Mode | TxC3 | TxC2 | TxC1 | Description                                 | Interrupt A Source                     | Interrupt B Source | Timer Counts On |
|------|------|------|------|---|--|--------------------|-----------------|
| 1    | 1    | 0    | 1    | PWM: TxA Toggle                             | Autoreload RA                          | Autoreload RB      | $t_c$           |
|      | 1    | 0    | 0    | PWM: No TxA Toggle                          | Autoreload RA                          | Autoreload RB      | $t_c$           |
| 2    | 0    | 0    | 0    | External Event Counter                      | Timer Underflow                        | Pos. TxB Edge      | Pos. TxA Edge   |
|      | 0    | 0    | 1    | External Event Counter                      | Timer Underflow                        | Pos. TxB Edge      | Pos. TxA Edge   |
| 3    | 0    | 1    | 0    | Captures:<br>TxA Pos. Edge<br>TxB Pos. Edge | Pos. TxA Edge<br>or Timer<br>Underflow | Pos. TxB Edge      | $t_c$           |
|      | 1    | 1    | 0    | Captures:<br>TxA Pos. Edge<br>TxB Neg. Edge | Pos. TxA<br>Edge or Timer<br>Underflow | Neg. TxB<br>Edge   | $t_c$           |
|      | 0    | 1    | 1    | Captures:<br>TxA Neg. Edge<br>TxB Neg. Edge | Neg. TxA<br>Edge or Timer<br>Underflow | Neg. TxB<br>Edge   | $t_c$           |
|      | 1    | 1    | 1    | Captures:<br>TxA Neg. Edge<br>TxB Neg. Edge | Neg. TxA<br>Edge or Timer<br>Underflow | Neg. TxB<br>Edge   | $t_c$           |



## 7.0 Power Saving Features

Today, the proliferation of battery-operated based applications has placed new demands on designers to drive power consumption down. Battery-operated systems are not the only type of applications demanding low power. The power budget constraints are also imposed on those consumer/industrial applications where well regulated and expensive power supply costs cannot be tolerated. Such applications rely on low cost and low power supply voltage derived directly from the “mains” by using voltage rectifier and passive components. Low power is demanded even in automotive applications, due to increased vehicle electronics content. This is required to ease the burden from the car battery. Low power 8-bit microcontrollers supply the smarts to control battery-operated, consumer/industrial, and automotive applications.

Each device offers system designers a variety of low-power consumption features that enable them to meet the demanding requirements of today's increasing range of low-power applications. These features include low voltage operation, low current drain, and power saving features such as HALT, IDLE, and Multi-Input wakeup (MIWU).

Each device offers the user two power save modes of operation: HALT and IDLE. In the HALT mode, all microcontroller activities are stopped. In the IDLE mode, the on-board oscillator circuitry and timer T0 are active but all other microcontroller activities are stopped. In either mode, all on-board RAM, registers, I/O states, and timers (with the exception of T0) are unaltered.

Clock Monitor, if enabled, can be active in both modes.

### 7.1 HALT MODE

Each device can be placed in the HALT mode by writing a “1” to the HALT flag (G7 data bit). All microcontroller activities, including the clock and timers, are stopped. The WATCHDOG logic on the devices are disabled during the HALT mode. However, the clock monitor circuitry, if enabled, remains active and will cause the WATCHDOG output pin (WDOUT) to go low. If the HALT mode is used and the user does not want to activate the WDOUT pin, the Clock Monitor should be disabled after the devices come out of reset (resetting the Clock Monitor control bit with the first write to the WDSVR register). In the HALT mode, the power requirements of the devices are minimal and the applied voltage ( $V_{CC}$ ) may be decreased to  $V_r$  ( $V_r = 2.0V$ ) without altering the state of the machine.

Each device supports three different ways of exiting the HALT mode. The first method of exiting the HALT mode is with the Multi-Input Wakeup feature on Port L. The second method is with a low to high transition on the CKO (G7) pin. This method precludes the use of the crystal clock configuration (since CKO becomes a dedicated output), and so may only be used with an R/C clock configuration. The third method of exiting the HALT mode is by pulling the  $\overline{RESET}$  pin low.

On wakeup from G7 or Port L, the devices resume execution from the HALT point. On wakeup from RESET execution will resume from location PC=0 and all RESET conditions apply.

If a crystal or ceramic resonator may be selected as the oscillator, the Wakeup signal is not allowed to start the chip running immediately since crystal oscillators and ceramic resonators have a delayed start up time to reach full amplitude and frequency stability. The IDLE timer is used to generate a fixed delay to ensure that the oscillator has indeed stabilized before allowing instruction execution. In this case, upon detecting a valid Wakeup signal, only the oscillator circuitry is enabled. The IDLE timer is loaded with a value of 256 and is clocked with the  $t_C$  instruction cycle clock. The  $t_C$  clock is derived by dividing the oscillator clock down by a factor of 9. The Schmitt trigger following the CKI inverter on the chip ensures that the IDLE timer is clocked only when the oscillator has a sufficiently large amplitude to meet the Schmitt trigger specifications. This Schmitt trigger is not part of the oscillator closed loop. The start-up time-out from the IDLE timer enables the clock signals to be routed to the rest of the chip.

If an R/C clock option is being used, the fixed delay is introduced optionally. A control bit, CLKDLY, mapped as configuration bit G7, controls whether the delay is to be introduced or not. The delay is included if CLKDLY is set, and excluded if CLKDLY is reset. The CLKDLY bit is cleared on reset.

Each device has two options associated with the HALT mode. The first option enables the HALT mode feature, while the second option disables the HALT mode selected through bit 0 of the ECON register. With the HALT mode enable option, the device will enter and exit the HALT mode as described above. With the HALT disable option, the device cannot be placed in the HALT mode (writing a “1” to the HALT flag will have no effect, the HALT flag will remain “0”).

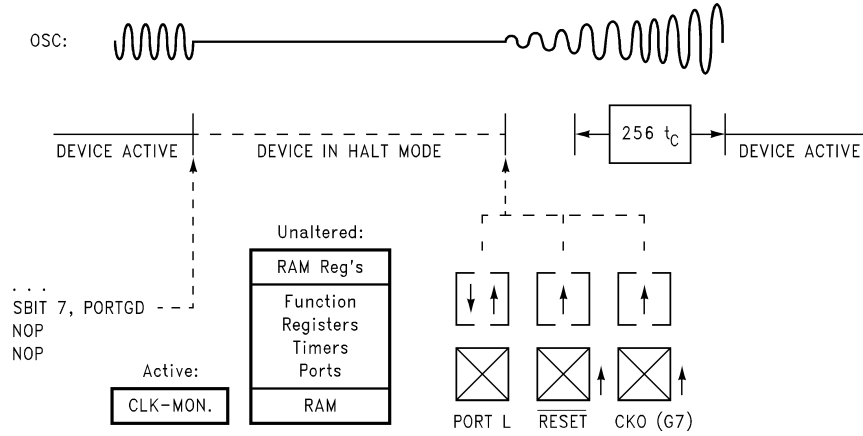
The WATCHDOG detector circuit is inhibited during the HALT mode. However, the clock monitor circuit if enabled remains active during HALT mode in order to ensure a clock monitor error if the device inadvertently enters the HALT mode as a result of a runaway program or power glitch.

If the device is placed in the HALT mode, with the R/C oscillator selected, the clock input pin (CKI) is forced to a logic high internally. With the crystal or external oscillator the CKI pin is TRI-STATE.

It is recommended that the user not halt the device by merely stopping the clock in external oscillator mode. If this method is used, there is a possibility of greater than specified HALT current.

If the user wishes to stop an external clock, it is recommended that the CPU be halted by setting the Halt flag first and the clock be stopped only after the CPU has halted.

## 7.0 Power Saving Features (Continued)



DS101317-25

FIGURE 19. Wakeup from HALT

### 7.2 IDLE MODE

The device is placed in the IDLE mode by writing a "1" to the IDLE flag (G6 data bit). In this mode, all activities, except the associated on-board oscillator circuitry and the IDLE Timer T0, are stopped.

As with the HALT mode, the device can be returned to normal operation with a reset, or with a Multi-Input Wakeup from the L Port. Alternately, the microcontroller resumes normal operation from the IDLE mode when the twelfth bit (representing 4.096 ms at internal clock frequency of 10 MHz,  $t_c = 1 \mu s$ ) of the IDLE Timer toggles.

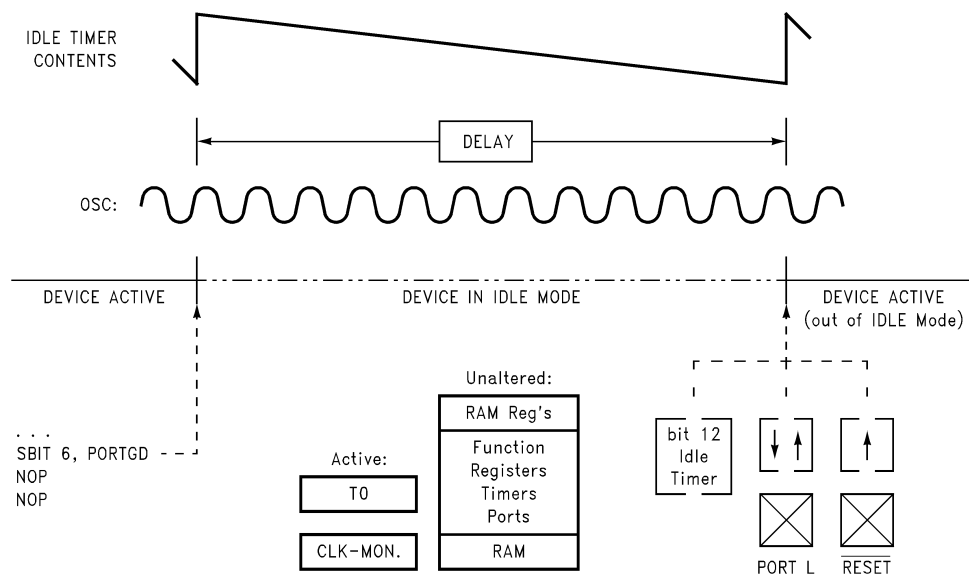
This toggle condition of the twelfth bit of the IDLE Timer T0 is latched into the TOPND pending flag.

The user has the option of being interrupted by a transition on the twelfth bit of the IDLE Timer T0. The interrupt can be enabled or disabled via the TOEN control bit. Setting the TOEN flag enables the interrupt and vice versa.

The user can enter the IDLE mode with the Timer T0 interrupt enabled. In this case, when the TOPND bit gets set, the device will first execute the Timer T0 interrupt service routine and then return to the instruction following the "Enter Idle Mode" instruction.

Alternatively, the user can enter the IDLE mode with the IDLE Timer T0 interrupt disabled. In this case, the device will resume normal operation with the instruction immediately following the "Enter IDLE Mode" instruction.

**Note:** It is necessary to program two NOP instructions following both the set HALT mode and set IDLE mode instructions. These NOP instructions are necessary to allow clock resynchronization following the HALT or IDLE modes.



DS101317-26

FIGURE 20. Wakeup from IDLE

## 7.0 Power Saving Features (Continued)

### 7.3 MULTI-INPUT WAKEUP

The Multi-Input Wakeup feature is used to return (wakeup) the device from either the HALT or IDLE modes. Alternately Multi-Input Wakeup/Interrupt feature may also be used to generate up to 8 edge selectable external interrupts.

Figure 21 shows the Multi-Input Wakeup logic.

The Multi-Input Wakeup feature utilizes the L Port. The user selects which particular L port bit (or combination of L Port bits) will cause the device to exit the HALT or IDLE modes. The selection is done through the register WKEN. The register WKEN is an 8-bit read/write register, which contains a control bit for every L port bit. Setting a particular WKEN bit enables a Wakeup from the associated L port pin.

The user can select whether the trigger condition on the selected L Port pin is going to be either a positive edge (low to high transition) or a negative edge (high to low transition). This selection is made via the register WKEDG, which is an 8-bit control register with a bit assigned to each L Port pin. Setting the control bit will select the trigger condition to be a negative edge on that particular L Port pin. Resetting the bit selects the trigger condition to be a positive edge. Changing an edge select entails several steps in order to avoid a Wakeup condition as a result of the edge change. First, the associated WKEN bit should be reset, followed by the edge select change in WKEDG. Next, the associated WKPND bit should be cleared, followed by the associated WKEN bit being re-enabled.

An example may serve to clarify this procedure. Suppose we wish to change the edge select from positive (low going high)

to negative (high going low) for L Port bit 5, where bit 5 has previously been enabled for an input interrupt. The program would be as follows:

```

RBIT 5, WKEN ; Disable MIWU
SBIT 5, WKEDG ; Change edge polarity
RBIT 5, WKPND ; Reset pending flag
SBIT 5, WKEN ; Enable MIWU
  
```

If the L port bits have been used as outputs and then changed to inputs with Multi-Input Wakeup/Interrupt, a safety procedure should also be followed to avoid wakeup conditions. After the selected L port bits have been changed from output to input but before the associated WKEN bits are enabled, the associated edge select bits in WKEDG should be set or reset for the desired edge selects, followed by the associated WKPND bits being cleared.

This same procedure should be used following reset, since the L port inputs are left floating as a result of reset.

The occurrence of the selected trigger condition for Multi-Input Wakeup is latched into a pending register called WKPND. The respective bits of the WKPND register will be set on the occurrence of the selected trigger edge on the corresponding Port L pin. The user has the responsibility of clearing these pending flags. Since WKPND is a pending register for the occurrence of selected wakeup conditions, the device will not enter the HALT mode if any Wakeup bit is both enabled and pending. Consequently, the user must clear the pending flags before attempting to enter the HALT mode.

WKEN and WKEDG are all read/write registers, and are cleared at reset. WKPND register contains random value after reset.

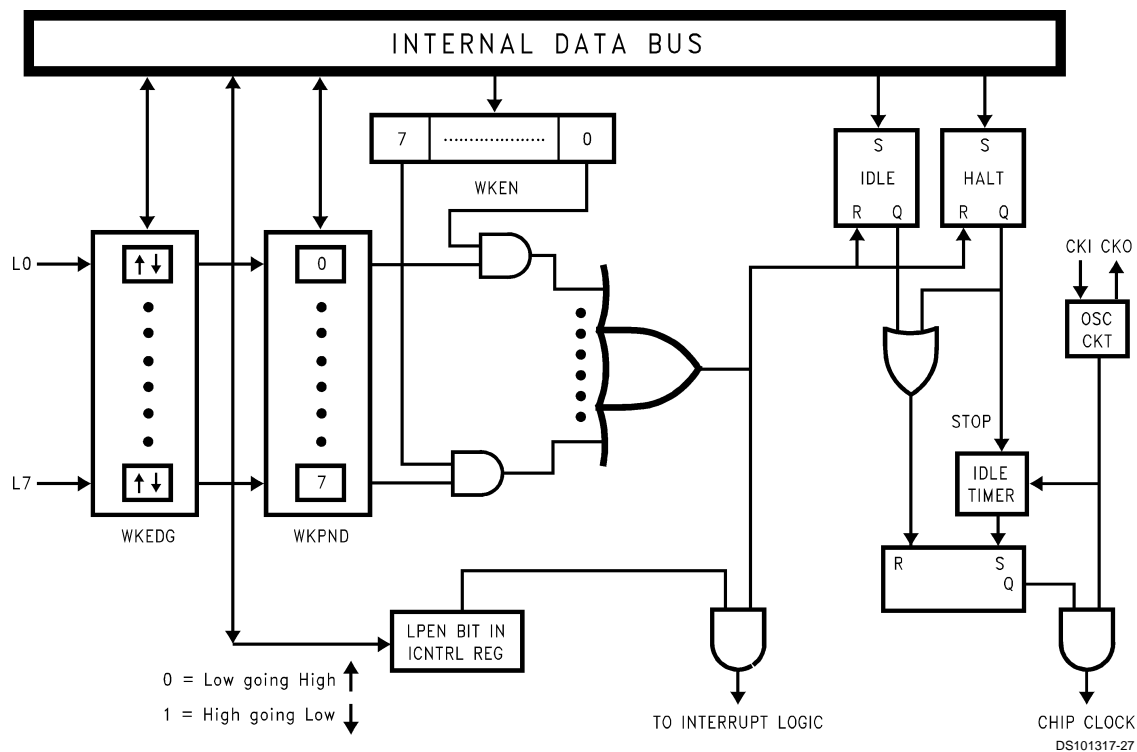


FIGURE 21. Multi-Input Wake Up Logic

## 8.0 USART

Each device contains a full-duplex software programmable USART. The USART (*Figure 22*) consists of a transmit shift register, a receive shift register and seven addressable registers, as follows: a transmit buffer register (TBUF), a receiver buffer register (RBUF), a USART control and status register (ENU), a USART receive control and status register (ENUR), a USART interrupt and clock source register (ENUI), a prescaler select register (PSR) and baud (BAUD) register. The ENU register contains flags for transmit and receive functions; this register also determines the length of the data frame (7, 8 or 9 bits), the value of the ninth bit in transmission, and parity selection bits. The ENUR register flags framing, data overrun and parity errors while the USART is receiving.

Other functions of the ENUR register include saving the ninth bit received in the data frame, enabling or disabling the USART's attention mode of operation and providing additional receiver/transmitter status information via RCVG and XMTG bits. The determination of an internal or external clock source is done by the ENUI register, as well as selecting the number of stop bits and enabling or disabling transmit and receive interrupts. A control flag in this register can also select the USART mode of operation: asynchronous or synchronous.

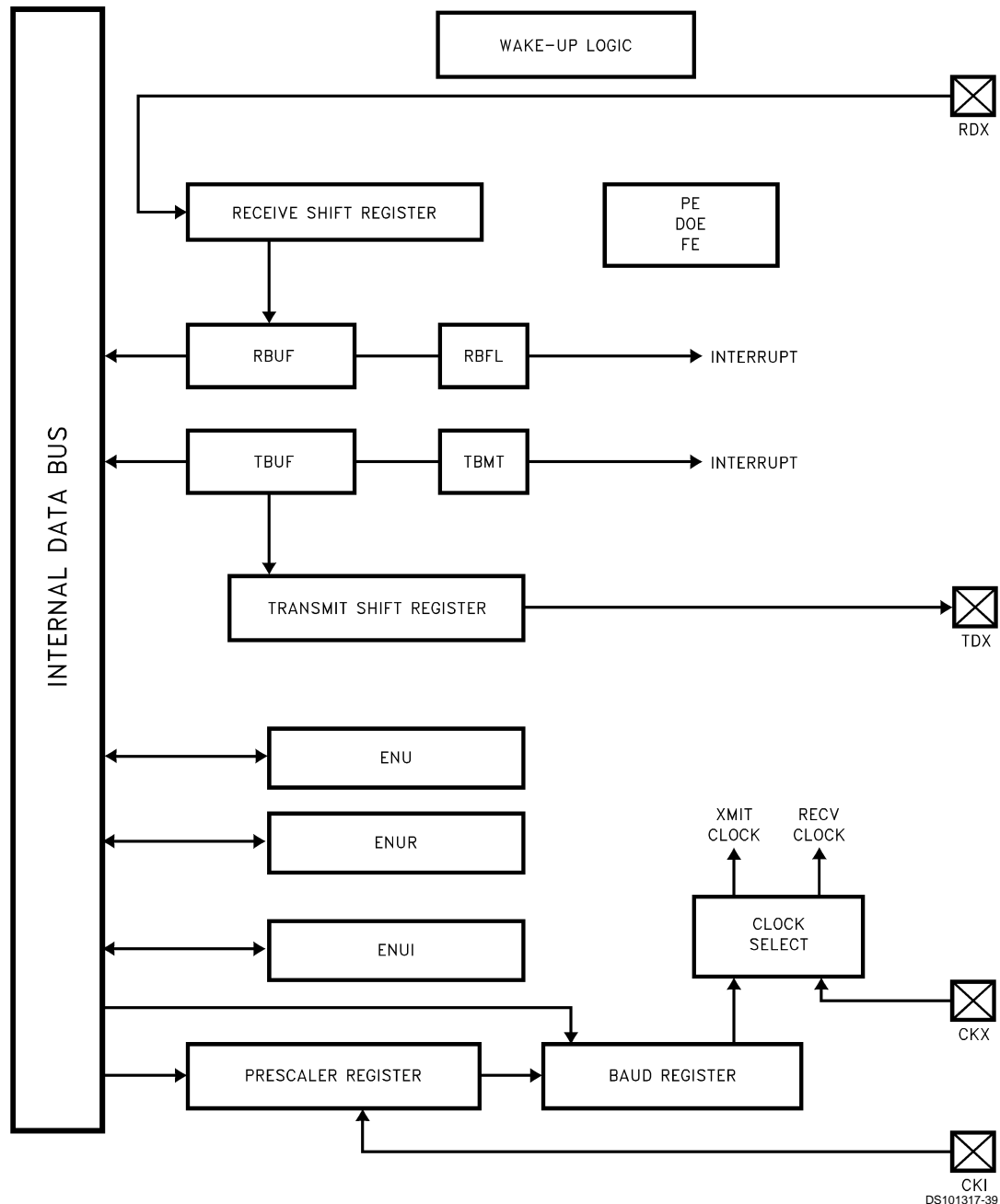


FIGURE 22. USART Block Diagram

## 8.0 USART (Continued)

### 8.1 USART CONTROL AND STATUS REGISTERS

The operation of the USART is programmed through three registers: ENU, ENUR and ENUI.

### 8.2 DESCRIPTION OF USART REGISTER BITS

ENU-USART Control and Status Register (Address at 0BA)

| PEN   | PSEL1 | XBIT9/<br>PSEL0 | CHL1 | CHL0 | ERR | RBFL | TBMT  |
|-------|-------|-----------------|------|------|-----|------|-------|
| Bit 7 |       |                 |      |      |     |      | Bit 0 |

**PEN:** This bit enables/disables Parity (7- and 8-bit modes only). Read/Write, cleared on reset.

PEN = 0 Parity disabled.

PEN = 1 Parity enabled.

**PSEL1, PSEL0:** Parity select bits. Read/Write, cleared on reset.

PSEL1 = 0, PSEL0 = 0 Odd Parity (if Parity enabled)

PSEL1 = 0, PSEL0 = 1 Even Parity (if Parity enabled)

PSEL1 = 1, PSEL0 = 0 Mark(1) (if Parity enabled)

PSEL1 = 1, PSEL0 = 1 Space(0) (if Parity enabled)

**XBIT9/PSEL0:** Programs the ninth bit for transmission when the USART is operating with nine data bits per frame. For seven or eight data bits per frame, this bit in conjunction with PSEL1 selects parity. Read/Write, cleared on reset.

**CHL1, CHL0:** These bits select the character frame format. Parity is not included and is generated/verified by hardware. Read/Write, cleared on reset.

CHL1 = 0, CHL0 = 0 The frame contains eight data bits.

CHL1 = 0, CHL0 = 1 The frame contains seven data bits.

CHL1 = 1, CHL0 = 0 The frame contains nine data bits.

CHL1 = 1, CHL0 = 1 Loopback Mode selected. Transmitter output internally looped back to receiver input. Nine bit framing format is used.

**ERR:** This bit is a global USART error flag which gets set if any or a combination of the errors (DOE, FE, PE) occur. Read only; it cannot be written by software, cleared on reset.

**RBFL:** This bit is set when the USART has received a complete character and has copied it into the RBUF register. It is automatically reset when software reads the character from RBUF. Read only; it cannot be written by software, cleared on reset.

**TBMT:** This bit is set when the USART transfers a byte of data from the TBUF register into the TSFT register for transmission. It is automatically reset when software writes into the TBUF register. Read only, bit is set to "one" on reset; it cannot be written by software.

ENUR-USART Receive Control and Status Register (Address at 0BB)

| DOE   | FE | PE | Reserved<br>(Note 15) | RBIT9 | ATTN | XMTG | RCVG  |
|-------|----|----|-----------------------|-------|------|------|-------|
| Bit 7 |    |    |                       |       |      |      | Bit 0 |

**Note 15:** Bit is reserved for future use. User must set to zero.

**DOE:** Flags a Data Overrun Error. Read only, cleared on read, cleared on reset.

DOE = 0 Indicates no Data Overrun Error has been detected since the last time the ENUR register was read.

DOE = 1 Indicates the occurrence of a Data Overrun Error.

**FE:** Flags a Framing Error. Read only, cleared on read, cleared on reset.

FE = 0 Indicates no Framing Error has been detected since the last time the ENUR register was read.

FE = 1 Indicates the occurrence of a Framing Error.

**PE:** Flags a Parity Error. Read only, cleared on read, cleared on reset.

PE = 0 Indicates no Parity Error has been detected since the last time the ENUR register was read.

PE = 1 Indicates the occurrence of a Parity Error.

**SPARE:** Reserved for future use. Read/Write, cleared on reset.

**RBIT9:** Contains the ninth data bit received when the USART is operating with nine data bits per frame. Read only, cleared on reset.

**ATTN:** ATTENTION Mode is enabled while this bit is set. This bit is cleared automatically on receiving a character with data bit nine set. Read/Write, cleared on reset.

**XMTG:** This bit is set to indicate that the USART is transmitting. It gets reset at the end of the last frame (end of last Stop bit). Read only, cleared on reset.

**RCVG:** This bit is set high whenever a framing error occurs and goes low when RDX goes high. Read only, cleared on reset.

ENUI-USART Interrupt and Clock Source Register (Address at 0BC)

| STP2  | STP78 | ETDX | SSEL | XRCLK | XTCLK | ERI | ETI   |
|-------|-------|------|------|-------|-------|-----|-------|
| Bit 7 |       |      |      |       |       |     | Bit 0 |

**STP2:** This bit programs the number of Stop bits to be transmitted. Read/Write, cleared on reset.

STP2 = 0 One Stop bit transmitted.

STP2 = 1 Two Stop bits transmitted.

**STP78:** This bit is set to program the last Stop bit to be 7/8th of a bit in length. Read/Write, cleared on reset.

**ETDX:** TDX (USART Transmit Pin) is the alternate function assigned to Port L pin L2; it is selected by setting ETDX bit. To simulate line break generation, software should reset ETDX bit and output logic zero to TDX pin through Port L data and configuration registers. Read/Write, cleared on reset.

**SSEL:** USART mode select. Read/Write, cleared on reset.

SSEL = 0 Asynchronous Mode.

SSEL = 1 Synchronous Mode.

**XRCLK:** This bit selects the clock source for the receiver section. Read/Write, cleared on reset.

XRCLK = 0 The clock source is selected through the PSR and BAUD registers.

XRCLK = 1 Signal on CKX (L1) pin is used as the clock.

**XTCLK:** This bit selects the clock source for the transmitter section. Read/Write, cleared on reset.

XTCLK = 0 The clock source is selected through the PSR and BAUD registers.

XTCLK = 1 Signal on CKX (L1) pin is used as the clock.

**ERI:** This bit enables/disables interrupt from the receiver section. Read/Write, cleared on reset.

ERI = 0 Interrupt from the receiver is disabled.

ERI = 1 Interrupt from the receiver is enabled.

## 8.0 USART (Continued)

**ETI:** This bit enables/disables interrupt from the transmitter section. Read/Write, cleared on reset.

ETI = 0    Interrupt from the transmitter is disabled.

ETI = 1    Interrupt from the transmitter is enabled.

### 8.3 Associated I/O Pins

Data is transmitted on the TDX pin and received on the RDX pin. TDX is the alternate function assigned to Port L pin L2; it is selected by setting ETDX (in the ENUI register) to one. RDX is an inherent function of Port L pin L3, requiring no setup.

The baud rate clock for the USART can be generated on-chip, or can be taken from an external source. Port L pin L1 (CKX) is the external clock I/O pin. The CKX pin can be either an input or an output, as determined by Port L Configuration and Data registers (Bit 1). As an input, it accepts a clock signal which may be selected to drive the transmitter and/or receiver. As an output, it presents the internal Baud Rate Generator output.

### 8.4 USART Operation

The USART has two modes of operation: asynchronous mode and synchronous mode.

#### 8.4.1 ASYNCHRONOUS MODE

This mode is selected by resetting the SSEL (in the ENUI register) bit to zero. The input frequency to the USART is 16 times the baud rate.

The TSFT and TBUF registers double-buffer data for transmission. While TSFT is shifting out the current character on the TDX pin, the TBUF register may be loaded by software with the next byte to be transmitted. When TSFT finishes transmitting the current character the contents of TBUF are transferred to the TSFT register and the Transmit Buffer Empty Flag (TBMT in the ENU register) is set. The TBMT flag is automatically reset by the USART when software loads a new character into the TBUF register. There is also the XMTG bit which is set to indicate that the USART is transmitting. This bit gets reset at the end of the last frame (end of last Stop bit). TBUF is a read/write register.

The RSFT and RBUF registers double-buffer data being received. The USART receiver continually monitors the signal on the RDX pin for a low level to detect the beginning of a Start bit. Upon sensing this low level, it waits for half a bit time and samples again. If the RDX pin is still low, the receiver considers this to be a valid Start bit, and the remaining bits in the character frame are each sampled a single time, at the mid-bit position. Serial data input on the RDX pin is shifted into the RSFT register. Upon receiving the complete character, the contents of the RSFT register are copied into the RBUF register and the Received Buffer Full Flag (RBFL) is set. RBFL is automatically reset when software reads the character from the RBUF register. RBUF is a read only register. There is also the RCVG bit which is set high when a framing error occurs and goes low once RDX goes high. TBMT, XMTG, RBFL and RCVG are read only bits.

#### 8.4.2 SYNCHRONOUS MODE

In this mode data is transferred synchronously with the clock. Data is transmitted on the rising edge and received on the falling edge of the synchronous clock.

This mode is selected by setting SSEL bit in the ENUI register. The input frequency to the USART is the same as the baud rate.

When an external clock input is selected at the CKX pin, data transmit and receive are performed synchronously with this clock through TDX/RDX pins.

If data transmit and receive are selected with the CKX pin as clock output, the device generates the synchronous clock output at the CKX pin. The internal baud rate generator is used to produce the synchronous clock. Data transmit and receive are performed synchronously with this clock.

#### 8.5 FRAMING FORMATS

The USART supports several serial framing formats (*Figure 23*). The format is selected using control bits in the ENU, ENUR and ENUI registers.

The first format (1, 1a, 1b, 1c) for data transmission (CHL0 = 1, CHL1 = 0) consists of Start bit, seven Data bits (excluding parity) and 7/8, one or two Stop bits. In applications using parity, the parity bit is generated and verified by hardware.

The second format (CHL0 = 0, CHL1 = 0) consists of one Start bit, eight Data bits (excluding parity) and 7/8, one or two Stop bits. Parity bit is generated and verified by hardware.

The third format for transmission (CHL0 = 0, CHL1 = 1) consists of one Start bit, nine Data bits and 7/8, one or two Stop bits. This format also supports the USART "ATTENTION" feature. When operating in this format, all eight bits of TBUF and RBUF are used for data. The ninth data bit is transmitted and received using two bits in the ENU and ENUR registers, called XBIT9 and RBIT9. RBIT9 is a read only bit. Parity is not generated or verified in this mode.

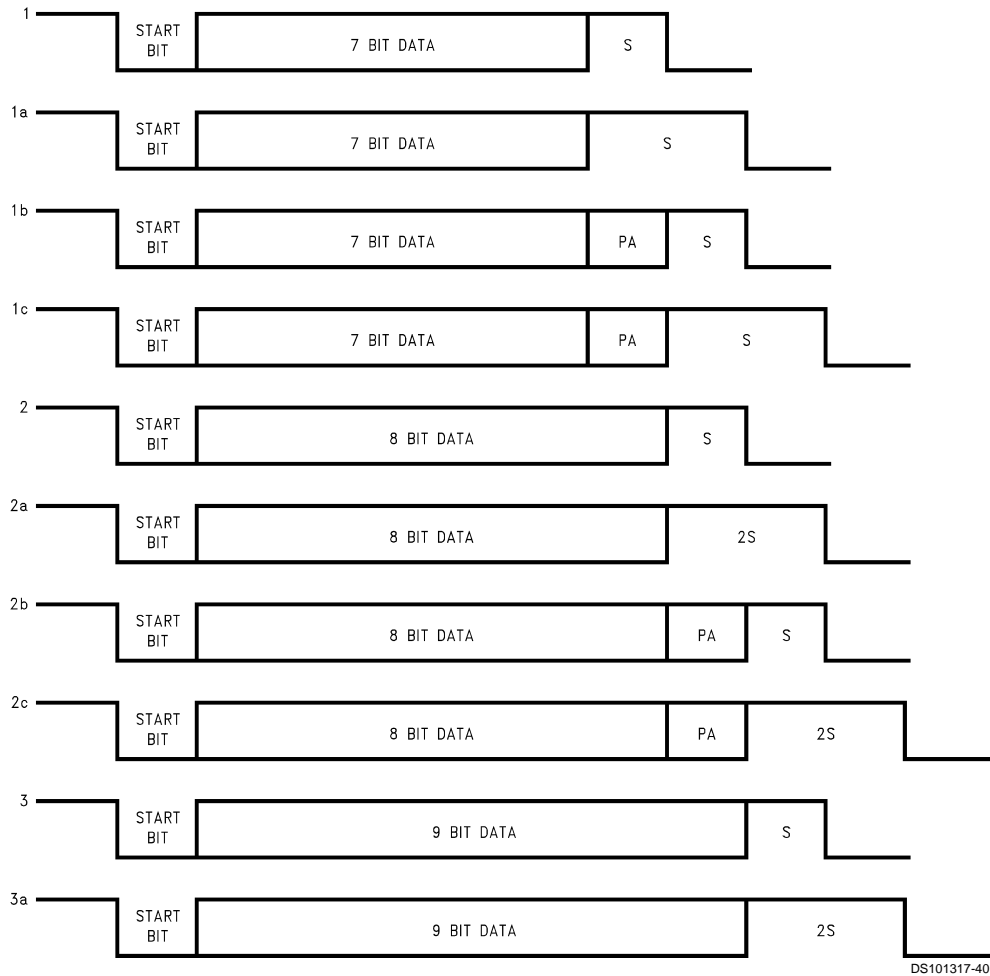
For any of the above framing formats, the last Stop bit can be programmed to be 7/8th of a bit in length. If two Stop bits are selected and the 7/8th bit is set (selected), the second Stop bit will be 7/8th of a bit in length.

The parity is enabled/disabled by PEN bit located in the ENU register. Parity is selected for 7- and 8-bit modes only. If parity is enabled (PEN = 1), the parity selection is then performed by PSEL0 and PSEL1 bits located in the ENU register.

Note that the XBIT9/PSEL0 bit located in the ENU register serves two mutually exclusive functions. This bit programs the ninth bit for transmission when the USART is operating with nine data bits per frame. There is no parity selection in this framing format. For other framing formats XBIT9 is not needed and the bit is PSEL0 used in conjunction with PSEL1 to select parity.

The frame formats for the receiver differ from the transmitter in the number of Stop bits required. The receiver only requires one Stop bit in a frame, regardless of the setting of the Stop bit selection bits in the control register. Note that an implicit assumption is made for full duplex USART operation that the framing formats are the same for the transmitter and receiver.

## 8.0 USART (Continued)



**FIGURE 23. Framing Formats**

### 8.6 USART INTERRUPTS

The USART is capable of generating interrupts. Interrupts are generated on Receive Buffer Full and Transmit Buffer Empty. Both interrupts have individual interrupt vectors. Two bytes of program memory space are reserved for each interrupt vector. The two vectors are located at addresses 0xEC to 0xEF Hex in the program memory space. The interrupts can be individually enabled or disabled using Enable Transmit Interrupt (ETI) and Enable Receive Interrupt (ERI) bits in the ENUI register.

The interrupt from the Transmitter is set pending, and remains pending, as long as both the TBMT and ETI bits are set. To remove this interrupt, software must either clear the ETI bit or write to the TBUF register (thus clearing the TBMT bit).

The interrupt from the receiver is set pending, and remains pending, as long as both the RBFL and ERI bits are set. To remove this interrupt, software must either clear the ERI bit or read from the RBUF register (thus clearing the RBFL bit).

### 8.7 Baud Clock Generation

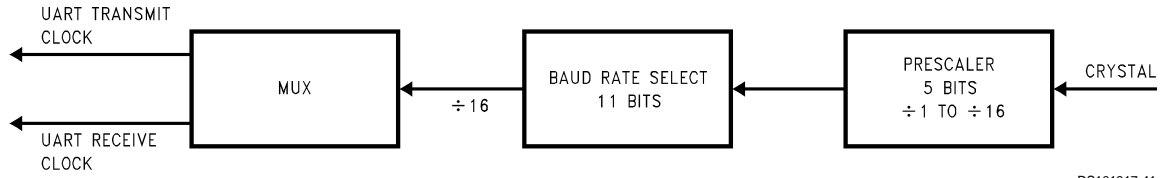
The clock inputs to the transmitter and receiver sections of the USART can be individually selected to come either from an external source at the CKX pin (port L, pin L1) or from a source selected in the PSR and BAUD registers. Internally,

the basic baud clock is created from the oscillator frequency through a two-stage divider chain consisting of a 1–16 (increments of 0.5) prescaler and an 11-bit binary counter. (Figure 24). The divide factors are specified through two read/write registers shown in Figure 25. Note that the 11-bit Baud Rate Divisor spills over into the Prescaler Select Register (PSR). PSR is cleared upon reset.

As shown in Table 5, a Prescaler Factor of 0 corresponds to NO CLOCK. This condition is the USART power down mode where the USART clock is turned off for power saving purpose. The user must also turn the USART clock off when a different baud rate is chosen.

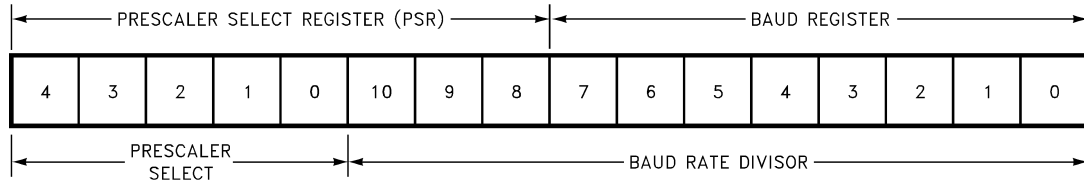
The correspondences between the 5-bit Prescaler Select and Prescaler factors are shown in Table 5. There are many ways to calculate the two divisor factors, but one particularly effective method would be to achieve a 1.8432 MHz frequency coming out of the first stage. The 1.8432 MHz prescaler output is then used to drive the software programmable baud rate counter to create a 16x clock for the following baud rates: 110, 134.5, 150, 300, 600, 1200, 1800, 2400, 3600, 4800, 7200, 9600, 19200 and 38400 (Table 4). Other baud rates may be created by using appropriate divisors. The 16x clock is then divided by 16 to provide the rate for the serial shift registers of the transmitter and receiver.

## 8.0 USART (Continued)



DS101317-41

FIGURE 24. USART BAUD Clock Generation



DS101317-42

FIGURE 25. USART BAUD Clock Divisor Registers

TABLE 4. Baud Rate Divisors  
(1.8432 MHz Prescaler Output)

| Baud Rate      | Baud Rate Divisor – 1 (N-1) |
|----------------|-----------------------------|
| 110 (110.03)   | 1046                        |
| 134.5 (134.58) | 855                         |
| 150            | 767                         |
| 300            | 383                         |
| 600            | 191                         |
| 1200           | 95                          |
| 1800           | 63                          |
| 2400           | 47                          |
| 3600           | 31                          |
| 4800           | 23                          |
| 7200           | 15                          |
| 9600           | 11                          |
| 19200          | 5                           |
| 38400          | 2                           |

Note: The entries in Table 5 assume a prescaler output of 1.8432 MHz. In the asynchronous mode the baud rate could be as high as 987.5k.

| Prescaler Select | Prescaler Factor |
|------------------|------------------|
| 01000            | 4.5              |
| 01001            | 5                |
| 01010            | 5.5              |
| 01011            | 6                |
| 01100            | 6.5              |
| 01101            | 7                |
| 01110            | 7.5              |
| 01111            | 8                |
| 10000            | 8.5              |
| 10001            | 9                |
| 10010            | 9.5              |
| 10011            | 10               |
| 10100            | 10.5             |
| 10101            | 11               |
| 10110            | 11.5             |
| 10111            | 12               |
| 11000            | 12.5             |
| 11001            | 13               |
| 11010            | 13.5             |
| 11011            | 14               |
| 11100            | 14.5             |
| 11101            | 15               |
| 11110            | 15.5             |
| 11111            | 16               |

TABLE 5. Prescaler Factors

| Prescaler Select | Prescaler Factor |
|------------------|------------------|
| 00000            | NO CLOCK         |
| 00001            | 1                |
| 00010            | 1.5              |
| 00011            | 2                |
| 00100            | 2.5              |
| 00101            | 3                |
| 00110            | 3.5              |
| 00111            | 4                |



## 8.0 USART (Continued)

As an example, considering Asynchronous Mode and a CKI clock of 4.608 MHz, the prescaler factor selected is:

$$4.608/1.8432 = 2.5$$

The 2.5 entry is available in *Table 5*. The 1.8432 MHz prescaler output is then used with proper Baud Rate Divisor (*Table 4*) to obtain different baud rates. For a baud rate of 19200 e.g., the entry in *Table 4* is 5.

$N - 1 = 5$  ( $N - 1$  is the value from *Table 4*)

$N = 6$  ( $N$  is the Baud Rate Divisor)

$$\text{Baud Rate} = 1.8432 \text{ MHz}/(16 \times 6) = 19200$$

The divide by 16 is performed because in the asynchronous mode, the input frequency to the USART is 16 times the baud rate. The equation to calculate baud rates is given below.

The actual Baud Rate may be found from:

$$\text{BR} = \text{Fc}/(16 \times \text{N} \times \text{P})$$

Where:

BR is the Baud Rate

Fc is the CKI frequency

N is the Baud Rate Divisor (*Table 4*).

P is the Prescaler Divide Factor selected by the value in the Prescaler Select Register (*Table 5*)

**Note:** In the Synchronous Mode, the divisor 16 is replaced by two.

Example:

Asynchronous Mode:

Crystal Frequency = 5 MHz

Desired baud rate = 9600

Using the above equation  $N \times P$  can be calculated first.

$$N \times P = (5 \times 10^6)/(16 \times 9600) = 32.552$$

Now 32.552 is divided by each Prescaler Factor (*Table 5*) to obtain a value closest to an integer. This factor happens to be 6.5 ( $P = 6.5$ ).

$$N = 32.552/6.5 = 5.008 \text{ (} N = 5\text{)}$$

The programmed value (from *Table 4*) should be 4 ( $N - 1$ ).

Using the above values calculated for N and P:

$$\text{BR} = (5 \times 10^6)/(16 \times 5 \times 6.5) = 9615.384$$

$$\% \text{ error} = (9615.385 - 9600)/9600 \times 100 = 0.16\%$$

### 8.8 Effect of HALT/IDLE

The USART logic is reinitialized when either the HALT or IDLE modes are entered. This reinitialization sets the TBMT flag and resets all read only bits in the USART control and status registers. Read/Write bits remain unchanged. The Transmit Buffer (TBUF) is not affected, but the Transmit Shift register (TSFT) bits are set to one. The receiver registers RBUF and RSFT are not affected.

The device will exit from the HALT/IDLE modes when the Start bit of a character is detected at the RDX (L3) pin. This feature is obtained by using the Multi-Input Wakeup scheme provided on the device.

Before entering the HALT or IDLE modes the user program must select the Wakeup source to be on the RDX pin. This selection is done by setting bit 3 of WKEN (Wakeup Enable) register. The Wakeup trigger condition is then selected to be high to low transition. This is done via the WKEDG register (Bit 3 is one.)

If the device is halted and crystal oscillator is used, the Wakeup signal will not start the chip running immediately

because of the finite start up time requirement of the crystal oscillator. The idle timer (T0) generates a fixed ( $256 t_c$ ) delay to ensure that the oscillator has indeed stabilized before allowing the device to execute code. The user has to consider this delay when data transfer is expected immediately after exiting the HALT mode.

### 8.9 Diagnostic

Bits CHARL0 and CHARL1 in the ENU register provide a loopback feature for diagnostic testing of the USART. When these bits are set to one, the following occur: The receiver input pin (RDX) is internally connected to the transmitter output pin (TDX); the output of the Transmitter Shift Register is "looped back" into the Receive Shift Register input. In this mode, data that is transmitted is immediately received. This feature allows the processor to verify the transmit and receive data paths of the USART.

Note that the framing format for this mode is the nine bit format; one Start bit, nine data bits, and 7/8, one or two Stop bits. Parity is not generated or verified in this mode.

### 8.10 Attention Mode

The USART Receiver section supports an alternate mode of operation, referred to as ATTENTION Mode. This mode of operation is selected by the ATTN bit in the ENUR register. The data format for transmission must also be selected as having nine Data bits and either 7/8, one or two Stop bits.

The ATTENTION mode of operation is intended for use in networking the device with other processors. Typically in such environments the messages consists of device addresses, indicating which of several destinations should receive them, and the actual data. This Mode supports a scheme in which addresses are flagged by having the ninth bit of the data field set to a 1. If the ninth bit is reset to a zero the byte is a Data byte.

While in ATTENTION mode, the USART monitors the communication flow, but ignores all characters until an address character is received. Upon receiving an address character, the USART signals that the character is ready by setting the RBFL flag, which in turn interrupts the processor if USART Receiver interrupts are enabled. The ATTN bit is also cleared automatically at this point, so that data characters as well as address characters are recognized. Software examines the contents of the RBUF and responds by deciding either to accept the subsequent data stream (by leaving the ATTN bit reset) or to wait until the next address character is seen (by setting the ATTN bit again).

Operation of the USART Transmitter is not affected by selection of this Mode. The value of the ninth bit to be transmitted is programmed by setting XBIT9 appropriately. The value of the ninth bit received is obtained by reading RBIT9. Since this bit is located in ENUR register where the error flags reside, a bit operation on it will reset the error flags.

## 9.0 Comparators

The device contains two differential comparators, each with a pair of inputs (positive and negative) and an output. Ports F1–F3 and F4–F6 are used for the comparators. The following is the Port F assignment:

- F6 Comparator2 output
- F5 Comparator2 positive input
- F4 Comparator2 negative input
- F3 Comparator1 output
- F2 Comparator1 positive input
- F1 Comparator1 negative input

### CMPSL REGISTER (ADDRESS X'00B7)

| Reserved | CMP20E | CMP2RD | CMP2EN | CMP10E | CMP1RD | CMP1EN | Reserved |
|----------|--------|--------|--------|--------|--------|--------|----------|
| Bit 7    |        |        |        |        |        |        | Bit 0    |

The CMPSL register contains the following bits:

- Reserved** These bits are reserved and must be zero
- CMP20E** Selects pin I6 as comparator 2 output provided that CMP2EN is set to enable the comparator
- CMP2RD** Comparator 2 result (this is a read only bit, which will read as 0 if the comparator is not enabled)
- CMP2EN** Enable comparator 2
- CMP10E** Selects pin I3 as comparator 1 output provided that CMP1EN is set to enable the comparator
- CMP1RD** Comparator 1 result (this is a read only bit, which will read as 0 if the comparator is not enabled)
- CMP1EN** Enable comparator 1

Note that the two unused bits of CMPSL may be used as software flags.

**Note:** For compatibility with existing code and with existing Mask ROMmed devices the bits of the CMPSL register will take precedence over the associated Port F configuration and data output bits.

A Comparator Select Register (CMPSL) is used to enable the comparators, read the outputs of the comparators internally, and enable the outputs of the comparators to the pins. Two control bits (enable and output enable) and one result bit are associated with each comparator. The comparator result bits (CMP1RD and CMP2RD) are read only bits which will read as zero if the associated comparator is not enabled. The Comparator Select Register is cleared with reset, resulting in the comparators being disabled. The comparators should also be disabled before entering either the HALT or IDLE modes in order to save power. The configuration of the CMPSL register is as follows:

## 10.0 Interrupts

### 10.1 INTRODUCTION

Each device supports thirteen vectored interrupts. Interrupt sources include Timer 0, Timer 1, Timer 2, Timer 3, Port L Wakeup, Software Trap, MICROWIRE/PLUS, and External Input.

All interrupts force a branch to location 00FF Hex in program memory. The VIS instruction may be used to vector to the appropriate service routine from location 00FF Hex.

The Software trap has the highest priority while the default VIS has the lowest priority.

Each of the 13 maskable inputs has a fixed arbitration ranking and vector.

Figure 26 shows the Interrupt Block Diagram.

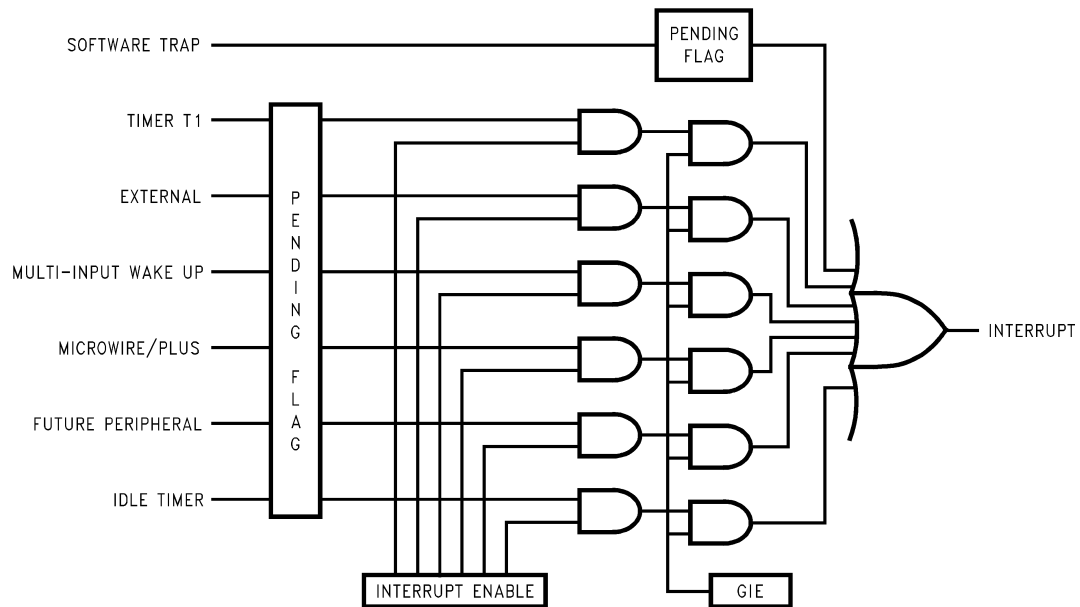


FIGURE 26. Interrupt Block Diagram

DS101317-28

## 10.0 Interrupts (Continued)

### 10.2 MASKABLE INTERRUPTS

All interrupts other than the Software Trap are maskable. Each maskable interrupt has an associated enable bit and pending flag bit. The pending bit is set to 1 when the interrupt condition occurs. The state of the interrupt enable bit, combined with the GIE bit determines whether an active pending flag actually triggers an interrupt. All of the maskable interrupt pending and enable bits are contained in mapped control registers, and thus can be controlled by the software.

A maskable interrupt condition triggers an interrupt under the following conditions:

1. The enable bit associated with that interrupt is set.
2. The GIE bit is set.
3. The device is not processing a non-maskable interrupt. (If a non-maskable interrupt is being serviced, a maskable interrupt must wait until that service routine is completed.)

An interrupt is triggered only when all of these conditions are met at the beginning of an instruction. If different maskable interrupts meet these conditions simultaneously, the highest priority interrupt will be serviced first, and the other pending interrupts must wait.

Upon Reset, all pending bits, individual enable bits, and the GIE bit are reset to zero. Thus, a maskable interrupt condition cannot trigger an interrupt until the program enables it by setting both the GIE bit and the individual enable bit. When enabling an interrupt, the user should consider whether or not a previously activated (set) pending bit should be acknowledged. If, at the time an interrupt is enabled, any previous occurrences of the interrupt should be ignored, the associated pending bit must be reset to zero prior to enabling the interrupt. Otherwise, the interrupt may be simply enabled; if the pending bit is already set, it will immediately trigger an interrupt. A maskable interrupt is active if its associated enable and pending bits are set.

An interrupt is an asynchronous event which may occur before, during, or after an instruction cycle. Any interrupt which occurs during the execution of an instruction is not acknowledged until the start of the next normally executed instruction is to be skipped, the skip is performed before the pending interrupt is acknowledged.

At the start of interrupt acknowledgment, the following actions occur:

1. The GIE bit is automatically reset to zero, preventing any subsequent maskable interrupt from interrupting the current service routine. This feature prevents one maskable interrupt from interrupting another one being serviced.
2. The address of the instruction about to be executed is pushed onto the stack.
3. The program counter (PC) is loaded with 00FF Hex, causing a jump to that program memory location.

The device requires seven instruction cycles to perform the actions listed above.

If the user wishes to allow nested interrupts, the interrupts service routine may set the GIE bit to 1 by writing to the PSW register, and thus allow other maskable interrupts to interrupt the current service routine. If nested interrupts are allowed, caution must be exercised. The user must write the program in such a way as to prevent stack overflow, loss of saved context information, and other unwanted conditions.

The interrupt service routine stored at location 00FF Hex should use the VIS instruction to determine the cause of the

interrupt, and jump to the interrupt handling routine corresponding to the highest priority enabled and active interrupt. Alternately, the user may choose to poll all interrupt pending and enable bits to determine the source(s) of the interrupt. If more than one interrupt is active, the user's program must decide which interrupt to service.

Within a specific interrupt service routine, the associated pending bit should be cleared. This is typically done as early as possible in the service routine in order to avoid missing the next occurrence of the same type of interrupt event. Thus, if the same event occurs a second time, even while the first occurrence is still being serviced, the second occurrence will be serviced immediately upon return from the current interrupt routine.

An interrupt service routine typically ends with an RETI instruction. This instruction sets the GIE bit back to 1, pops the address stored on the stack, and restores that address to the program counter. Program execution then proceeds with the next instruction that would have been executed had there been no interrupt. If there are any valid interrupts pending, the highest-priority interrupt is serviced immediately upon return from the previous interrupt.

### 10.3 VIS INSTRUCTION

The general interrupt service routine, which starts at address 00FF Hex, must be capable of handling all types of interrupts. The VIS instruction, together with an interrupt vector table, directs the device to the specific interrupt handling routine based on the cause of the interrupt.

VIS is a single-byte instruction, typically used at the very beginning of the general interrupt service routine at address 00FF Hex, or shortly after that point, just after the code used for context switching. The VIS instruction determines which enabled and pending interrupt has the highest priority, and causes an indirect jump to the address corresponding to that interrupt source. The jump addresses (vectors) for all possible interrupts sources are stored in a vector table.

The vector table may be as long as 32 bytes (maximum of 16 vectors) and resides at the top of the 256-byte block containing the VIS instruction. However, if the VIS instruction is at the very top of a 256-byte block (such as at 00FF Hex), the vector table resides at the top of the next 256-byte block. Thus, if the VIS instruction is located somewhere between 00FF and 01DF Hex (the usual case), the vector table is located between addresses 01E0 and 01FF Hex. If the VIS instruction is located between 01FF and 02DF Hex, then the vector table is located between addresses 02E0 and 02FF Hex, and so on.

Each vector is 15 bits long and points to the beginning of a specific interrupt service routine somewhere in the 32 kbyte memory space. Each vector occupies two bytes of the vector table, with the higher-order byte at the lower address. The vectors are arranged in order of interrupt priority. The vector of the maskable interrupt with the lowest rank is located at 0yE0 (higher-order byte) and 0yE1 (lower-order byte). The next priority interrupt is located at 0yE2 and 0yE3, and so forth in increasing rank. The Software Trap has the highest rank and its vector is always located at 0yFE and 0yFF. The number of interrupts which can become active defines the size of the table.

*Table 6* shows the types of interrupts, the interrupt arbitration ranking, and the locations of the corresponding vectors in the vector table.

The vector table should be filled by the user with the memory locations of the specific interrupt service routines. For ex-

## 10.0 Interrupts (Continued)

ample, if the Software Trap routine is located at 0310 Hex, then the vector location 0yFE and -0yFF should contain the data 03 and 10 Hex, respectively. When a Software Trap interrupt occurs and the VIS instruction is executed, the program jumps to the address specified in the vector table.

The interrupt sources in the vector table are listed in order of rank, from highest to lowest priority. If two or more enabled and pending interrupts are detected at the same time, the one with the highest priority is serviced first. Upon return from the interrupt service routine, the next highest-level pending interrupt is serviced.

If the VIS instruction is executed, but no interrupts are enabled and pending, the lowest-priority interrupt vector is used, and a jump is made to the corresponding address in the vector table. This is an unusual occurrence, and may be the result of an error. It can legitimately result from a change in the enable bits or pending flags prior to the execution of the VIS instruction, such as executing a single cycle instruction which clears an enable flag at the same time that the pending flag is set. It can also result, however, from inadvertent execution of the VIS command outside of the context of an interrupt.

The default VIS interrupt vector can be useful for applications in which time critical interrupts can occur during the servicing of another interrupt. Rather than restoring the pro-

gram context (A, B, X, etc.) and executing the RETI instruction, an interrupt service routine can be terminated by returning to the VIS instruction. In this case, interrupts will be serviced in turn until no further interrupts are pending and the default VIS routine is started. After testing the GIE bit to ensure that execution is not erroneous, the routine should restore the program context and execute the RETI to return to the interrupted program.

This technique can save up to fifty instruction cycles ( $t_c$ ), or more, (50 $\mu$ s at 10 MHz oscillator) of latency for pending interrupts with a penalty of fewer than ten instruction cycles if no further interrupts are pending.

To ensure reliable operation, the user should always use the VIS instruction to determine the source of an interrupt. Although it is possible to poll the pending bits to detect the source of an interrupt, this practice is not recommended. The use of polling allows the standard arbitration ranking to be altered, but the reliability of the interrupt system is compromised. The polling routine must individually test the enable and pending bits of each maskable interrupt. If a Software Trap interrupt should occur, it will be serviced last, even though it should have the highest priority. Under certain conditions, a Software Trap could be triggered but not serviced, resulting in an inadvertent "locking out" of all maskable interrupts by the Software Trap pending flag. Problems such as this can be avoided by using VIS instruction.

TABLE 6. Interrupt Vector Table

| Arbitration Ranking | Source         | Description      | Vector Address (Note 16)<br>(Hi-Low Byte) |
|---------------------|----------------|------------------|---|
| (1) Highest         | Software       | INTR Instruction | 0yFE–0yFF                                 |
| (2)                 | Reserved       |                  | 0yFC–0yFD                                 |
| (3)                 | External       | G0               | 0yFA–0yFB                                 |
| (4)                 | Timer T0       | Underflow        | 0yF8–0yF9                                 |
| (5)                 | Timer T1       | T1A/Underflow    | 0yF6–0yF7                                 |
| (6)                 | Timer T1       | T1B              | 0yF4–0yF5                                 |
| (7)                 | MICROWIRE/PLUS | BUSY Low         | 0yF2–0yF3                                 |
| (8)                 | Reserved       |                  | 0yF0–0yF1                                 |
| (9)                 | USART          | Receive          | 0yEE–0yEF                                 |
| (10)                | USART          | Transmit         | 0yEC–0yED                                 |
| (11)                | Timer T2       | T2A/Underflow    | 0yEA–0yEB                                 |
| (12)                | Timer T2       | T2B              | 0yE8–0yE9                                 |
| (13)                | Timer T3       | T2A/Underflow    | 0yE6–0yE7                                 |
| (14)                | Timer T3       | T3B              | 0yE4–0yE5                                 |
| (15)                | Port L/Wakeup  | Port L Edge      | 0yE2–0yE3                                 |
| (16) Lowest         | Default VIS    | Reserved         | 0yE0–0yE1                                 |

**Note 16:** y is a variable which represents the VIS block. VIS and the vector table must be located in the same 256-byte block except if VIS is located at the last address of a block. In this case, the table must be in the next block.

## 10.0 Interrupts (Continued)

### 10.3.1 VIS Execution

When the VIS instruction is executed it activates the arbitration logic. The arbitration logic generates an even number between E0 and FE (E0, E2, E4, E6 etc...) depending on which active interrupt has the highest arbitration ranking at the time of the 1st cycle of VIS is executed. For example, if the software trap interrupt is active, FE is generated. If the external interrupt is active and the software trap interrupt is not, then FA is generated and so forth. If the only active interrupt is software trap, than E0 is generated. This number replaces the lower byte of the PC. The upper byte of the PC

remains unchanged. The new PC is therefore pointing to the vector of the active interrupt with the highest arbitration ranking. This vector is read from program memory and placed into the PC which is now pointed to the 1st instruction of the service routine of the active interrupt with the highest arbitration ranking.

Figure 27 illustrates the different steps performed by the VIS instruction. Figure 28 shows a flowchart for the VIS instruction.

The non-maskable interrupt pending flag is cleared by the RPND (Reset Non-Maskable Pending Bit) instruction (under certain conditions) and upon RESET.

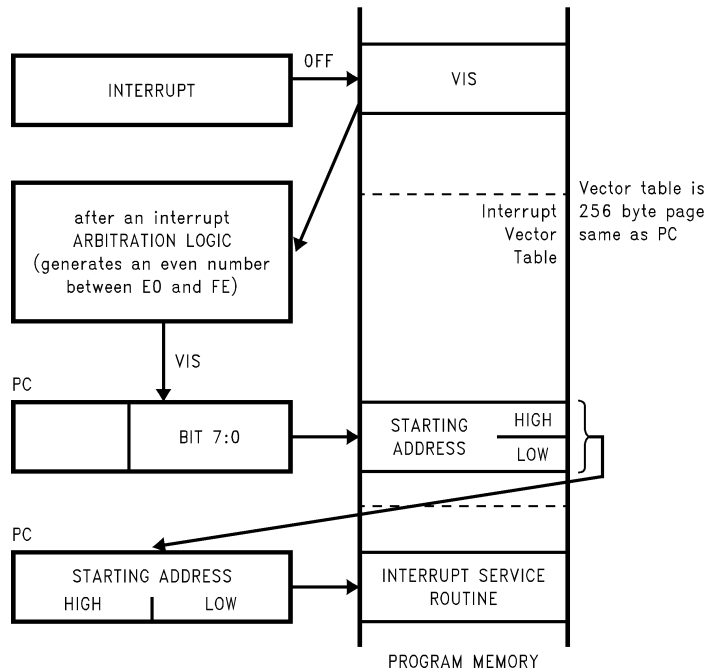
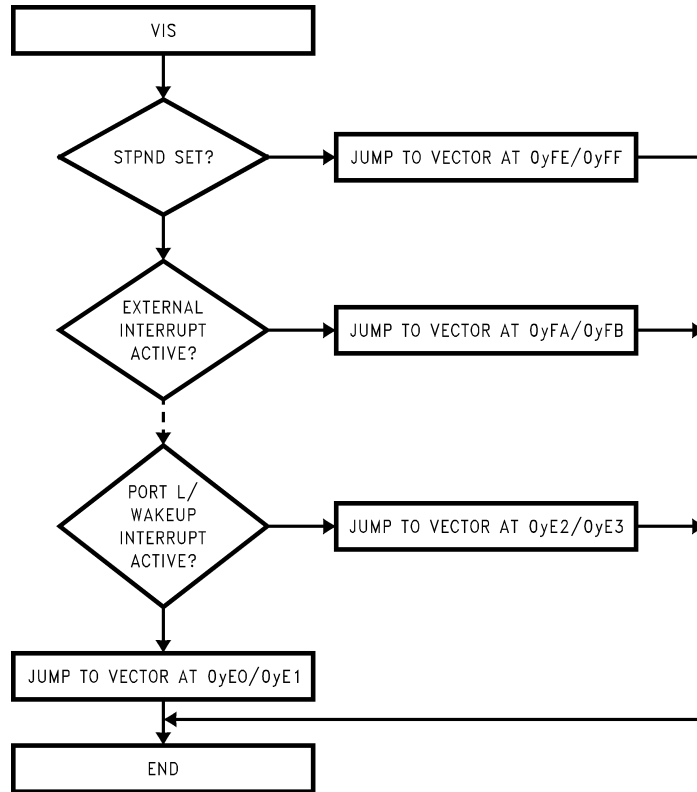


FIGURE 27. VIS Operation

DS101317-29

## 10.0 Interrupts (Continued)



DS101317-30

FIGURE 28. VIS Flowchart

## 10.0 Interrupts (Continued)

### Programming Example: External Interrupt

```

        PSW                =00EF
        CNTRL              =00EE
        RBIT               0,PORTGC
        RBIT               0,PORTGD    ; G0 pin configured Hi-Z
        SBIT               IEDG, CNTRL ; Ext interrupt polarity; falling edge
        SBIT               EXEN, PSW   ; Enable the external interrupt
        SBIT               GIE, PSW   ; Set the GIE bit
WAIT:   JP                WAIT        ; Wait for external interrupt
        .
        .
        .
        .=0FF              ; The interrupt causes a
        VIS                ; branch to address 0FF
                          ; The VIS causes a branch to
                          ; interrupt vector table
        .
        .
        .
        .=01FA            ; Vector table (within 256 byte
        .ADDRW SERVICE    ; of VIS inst.) containing the ext
                          ; interrupt service routine
        .
        .
INT_EXIT: RETI
        .
        .
SERVICE: RBIT            EXPND, PSW   ; Interrupt Service Routine
                          ; Reset ext interrupt pend. bit
        .
        .
        .
        JP                INT_EXIT    ; Return, set the GIE bit

```

## 10.0 Interrupts (Continued)

### 10.4 NON-MASKABLE INTERRUPT

#### 10.4.1 Pending Flag

There is a pending flag bit associated with the non-maskable interrupt, called STPND. This pending flag is not memory-mapped and cannot be accessed directly by the software.

The pending flag is reset to zero when a device Reset occurs. When the non-maskable interrupt occurs, the associated pending bit is set to 1. The interrupt service routine should contain an RPND instruction to reset the pending flag to zero. The RPND instruction always resets the STPND flag.

#### 10.4.2 Software Trap

The Software Trap is a special kind of non-maskable interrupt which occurs when the INTR instruction (used to acknowledge interrupts) is fetched from program memory and placed in the instruction register. This can happen in a variety of ways, usually because of an error condition. Some examples of causes are listed below.

If the program counter incorrectly points to a memory location beyond the available program memory space, the non-existent or unused memory location returns zeroes which is interpreted as the INTR instruction.

If the stack is popped beyond the allowed limit (address 06F Hex), a 7FFF will be loaded into the PC, if this last location in program memory is unprogrammed or unavailable, a Software Trap will be triggered.

A Software Trap can be triggered by a temporary hardware condition such as a brownout or power supply glitch.

The Software Trap has the highest priority of all interrupts. When a Software Trap occurs, the STPND bit is set. The GIE bit is not affected and the pending bit (not accessible by the user) is used to inhibit other interrupts and to direct the program to the ST service routine with the VIS instruction. Nothing can interrupt a Software Trap service routine except for another Software Trap. The STPND can be reset only by the RPND instruction or a chip Reset.

The Software Trap indicates an unusual or unknown error condition. Generally, returning to normal execution at the point where the Software Trap occurred cannot be done reliably. Therefore, the Software Trap service routine should reinitialize the stack pointer and perform a recovery procedure that restarts the software at some known point, similar to a device Reset, but not necessarily performing all the same functions as a device Reset. The routine must also execute the RPND instruction to reset the STPND flag. Otherwise, all other interrupts will be locked out. To the extent possible, the interrupt routine should record or indicate the context of the device so that the cause of the Software Trap can be determined.

If the user wishes to return to normal execution from the point at which the Software Trap was triggered, the user must first execute RPND, followed by RETSK rather than RETI or RET. This is because the return address stored on the stack is the address of the INTR instruction that triggered the interrupt. The program must skip that instruction in order to proceed with the next one. Otherwise, an infinite loop of Software Traps and returns will occur.

Programming a return to normal execution requires careful consideration. If the Software Trap routine is interrupted by another Software Trap, the RPND instruction in the service routine for the second Software Trap will reset the STPND

flag; upon return to the first Software Trap routine, the STPND flag will have the wrong state. This will allow maskable interrupts to be acknowledged during the servicing of the first Software Trap. To avoid problems such as this, the user program should contain the Software Trap routine to perform a recovery procedure rather than a return to normal execution.

Under normal conditions, the STPND flag is reset by a RPND instruction in the Software Trap service routine. If a programming error or hardware condition (brownout, power supply glitch, etc.) sets the STPND flag without providing a way for it to be cleared, all other interrupts will be locked out. To alleviate this condition, the user can use extra RPND instructions in the main program and in the WATCHDOG service routine (if present). There is no harm in executing extra RPND instructions in these parts of the program.

### 10.5 PORT L INTERRUPTS

Port L provides the user with an additional eight fully selectable, edge sensitive interrupts which are all vectored into the same service subroutine.

The interrupt from Port L shares logic with the wake up circuitry. The register WKEN allows interrupts from Port L to be individually enabled or disabled. The register WKEDG specifies the trigger condition to be either a positive or a negative edge. Finally, the register WKPND latches in the pending trigger conditions.

The GIE (Global Interrupt Enable) bit enables the interrupt function.

A control flag, LPEN, functions as a global interrupt enable for Port L interrupts. Setting the LPEN flag will enable interrupts and vice versa. A separate global pending flag is not needed since the register WKPND is adequate.

Since Port L is also used for waking the device out of the HALT or IDLE modes, the user can elect to exit the HALT or IDLE modes either with or without the interrupt enabled. If he elects to disable the interrupt, then the device will restart execution from the instruction immediately following the instruction that placed the microcontroller in the HALT or IDLE modes. In the other case, the device will first execute the interrupt service routine and then revert to normal operation. (See HALT MODE for clock option wakeup information.)

### 10.6 INTERRUPT SUMMARY

The device uses the following types of interrupts, listed below in order of priority:

1. The Software Trap non-maskable interrupt, triggered by the INTR (00 opcode) instruction. The Software Trap is acknowledged immediately. This interrupt service routine can be interrupted only by another Software Trap. The Software Trap should end with two RPND instructions followed by a restart procedure.
2. Maskable interrupts, triggered by an on-chip peripheral block or an external device connected to the device. Under ordinary conditions, a maskable interrupt will not interrupt any other interrupt routine in progress. A maskable interrupt routine in progress can be interrupted by the non-maskable interrupt request. A maskable interrupt routine should end with an RETI instruction or, prior to restoring context, should return to execute the VIS instruction. This is particularly useful when exiting long interrupt service routines if the time between interrupts is short. In this case the RETI instruction would only be executed when the default VIS routine is reached.



## 11.0 WATCHDOG/Clock Monitor

Each device contains a user selectable WATCHDOG and clock monitor. The following section is applicable only if WATCHDOG feature has been selected in the ECON register. The WATCHDOG is designed to detect the user program getting stuck in infinite loops resulting in loss of program control or “runaway” programs.

The WATCHDOG logic contains two separate service windows. While the user programmable upper window selects the WATCHDOG service time, the lower window provides protection against an infinite program loop that contains the WATCHDOG service instruction.

The Clock Monitor is used to detect the absence of a clock or a very slow clock below a specified rate on the CKI pin.

The WATCHDOG consists of two independent logic blocks: WD UPPER and WD LOWER. WD UPPER establishes the upper limit on the service window and WD LOWER defines the lower limit of the service window.

Servicing the WATCHDOG consists of writing a specific value to a WATCHDOG Service Register named WDSVR which is memory mapped in the RAM. This value is composed of three fields, consisting of a 2-bit Window Select, a 5-bit Key Data field, and the 1-bit Clock Monitor Select field. *Table 7* shows the WDSVR register.

**TABLE 7. WATCHDOG Service Register (WDSVR)**

| Window Select |   | Key Data |   |   |   |   | Clock Monitor |
|---------------|---|----------|---|---|---|---|---------------|
| X             | X | 0        | 1 | 1 | 0 | 0 | Y             |
| 7             | 6 | 5        | 4 | 3 | 2 | 1 | 0             |

The lower limit of the service window is fixed at 2048 instruction cycles. Bits 7 and 6 of the WDSVR register allow the user to pick an upper limit of the service window.

*Table 8* shows the four possible combinations of lower and upper limits for the WATCHDOG service window. This flexibility in choosing the WATCHDOG service window prevents any undue burden on the user software.

Bits 5, 4, 3, 2 and 1 of the WDSVR register represent the 5-bit Key Data field. The key data is fixed at 01100. Bit 0 of the WDSVR Register is the Clock Monitor Select bit.

**TABLE 8. WATCHDOG Service Window Select**

| WDSVR Bit 7 | WDSVR Bit 6 | Clock Monitor | Service Window (Lower-Upper Limits) |
|-------------|-------------|---------------|-------------------------------------|
| 0           | 0           | x             | 2048–8k $t_C$ Cycles                |
| 0           | 1           | x             | 2048–16k $t_C$ Cycles               |
| 1           | 0           | x             | 2048–32k $t_C$ Cycles               |
| 1           | 1           | x             | 2048–64k $t_C$ Cycles               |
| x           | x           | 0             | Clock Monitor Disabled              |
| x           | x           | 1             | Clock Monitor Enabled               |

### 11.1 CLOCK MONITOR

The Clock Monitor aboard the device can be selected or deselected under program control. The Clock Monitor is guaranteed not to reject the clock if the instruction cycle clock ( $1/t_C$ ) is greater or equal to 10 kHz. This equates to a clock input rate on CKI of greater or equal to 100 kHz.

### 11.2 WATCHDOG/CLOCK MONITOR OPERATION

The WATCHDOG is enabled by bit 2 of the ECON register. When this ECON bit is 0, the WATCHDOG is enabled and pin G1 becomes the WATCHDOG output with a weak pullup.

The WATCHDOG and Clock Monitor are disabled during reset. The device comes out of reset with the WATCHDOG armed, the WATCHDOG Window Select bits (bits 6, 7 of the WDSVR Register) set, and the Clock Monitor bit (bit 0 of the WDSVR Register) enabled. Thus, a Clock Monitor error will occur after coming out of reset, if the instruction cycle clock frequency has not reached a minimum specified value, including the case where the oscillator fails to start.

The WDSVR register can be written to only once after reset and the key data (bits 5 through 1 of the WDSVR Register) must match to be a valid write. This write to the WDSVR register involves two irrevocable choices: (i) the selection of the WATCHDOG service window (ii) enabling or disabling of the Clock Monitor. Hence, the first write to WDSVR Register involves selecting or deselecting the Clock Monitor, select the WATCHDOG service window and match the WATCHDOG key data. Subsequent writes to the WDSVR register will compare the value being written by the user to the WATCHDOG service window value and the key data (bits 7 through 1) in the WDSVR Register. *Table 9* shows the sequence of events that can occur.

The user must service the WATCHDOG at least once before the upper limit of the service window expires. The WATCHDOG may not be serviced more than once in every lower limit of the service window.

The WATCHDOG has an output pin associated with it. This is the WDOUT pin, on pin 1 of the port G. WDOUT is active low and must be externally connected to the RESET pin or to some other external logic which handles WATCHDOG event. The WDOUT pin has a weak pullup in the inactive state. This pull-up is sufficient to serve as the connection to  $V_{CC}$  for systems which use the internal Power On Reset. Upon triggering the WATCHDOG, the logic will pull the WDOUT (G1) pin low for an additional  $16 t_C$ – $32 t_C$  cycles after the signal level on WDOUT pin goes below the lower Schmitt trigger threshold. After this delay, the device will stop forcing the WDOUT output low. The WATCHDOG service window will restart when the WDOUT pin goes high.

A WATCHDOG service while the WDOUT signal is active will be ignored. The state of the WDOUT pin is not guaranteed on reset, but if it powers up low then the WATCHDOG will time out and WDOUT will go high.

The Clock Monitor forces the G1 pin low upon detecting a clock frequency error. The Clock Monitor error will continue until the clock frequency has reached the minimum specified value, after which the G1 output will go high following  $16 t_C$ – $32 t_C$  clock cycles. The Clock Monitor generates a continual Clock Monitor error if the oscillator fails to start, or fails to reach the minimum specified frequency. The specification for the Clock Monitor is as follows:

$1/t_C > 10 \text{ kHz}$ —No clock rejection.

$1/t_C < 10 \text{ Hz}$ —Guaranteed clock rejection.

## 11.0 WATCHDOG/Clock Monitor (Continued)

TABLE 9. WATCHDOG Service Actions

| Key Data   | Window Data | Clock Monitor | Action                                |
|------------|-------------|---------------|---------------------------------------|
| Match      | Match       | Match         | Valid Service: Restart Service Window |
| Don't Care | Mismatch    | Don't Care    | Error: Generate WATCHDOG Output       |
| Mismatch   | Don't Care  | Don't Care    | Error: Generate WATCHDOG Output       |
| Don't Care | Don't Care  | Mismatch      | Error: Generate WATCHDOG Output       |

### 11.3 WATCHDOG AND CLOCK MONITOR SUMMARY

The following salient points regarding the WATCHDOG and CLOCK MONITOR should be noted:

- Both the WATCHDOG and CLOCK MONITOR detector circuits are inhibited during RESET.
- Following RESET, the WATCHDOG and CLOCK MONITOR are both enabled, with the WATCHDOG having the maximum service window selected.
- The WATCHDOG service window and CLOCK MONITOR enable/disable option can only be changed once, during the initial WATCHDOG service following RESET.
- The initial WATCHDOG service must match the key data value in the WATCHDOG Service register WDSVR in order to avoid a WATCHDOG error.
- Subsequent WATCHDOG services must match all three data fields in WDSVR in order to avoid WATCHDOG errors.
- The correct key data value cannot be read from the WATCHDOG Service register WDSVR. Any attempt to read this key data value of 01100 from WDSVR will read as key data value of all 0's.
- The WATCHDOG detector circuit is inhibited during both the HALT and IDLE modes.
- The CLOCK MONITOR detector circuit is active during both the HALT and IDLE modes. Consequently, the device inadvertently entering the HALT mode will be detected as a CLOCK MONITOR error (provided that the CLOCK MONITOR enable option has been selected by the program).
- With the single-pin R/C oscillator option selected and the CLKDLY bit reset, the WATCHDOG service window will resume following HALT mode from where it left off before entering the HALT mode.
- With the crystal oscillator option selected, or with the single-pin R/C oscillator option selected and the CLKDLY bit set, the WATCHDOG service window will be set to its selected value from WDSVR following HALT. Consequently, the WATCHDOG should not be serviced for at least 2048 instruction cycles following HALT, but must be serviced within the selected window to avoid a WATCHDOG error.
- The IDLE timer T0 is not initialized with external RESET.
- The user can sync in to the IDLE counter cycle with an IDLE counter (T0) interrupt or by monitoring the TOPND flag. The TOPND flag is set whenever the twelfth bit of the IDLE counter toggles (every 4096 instruction cycles). The user is responsible for resetting the TOPND flag.
- A hardware WATCHDOG service occurs just as the device exits the IDLE mode. Consequently, the WATCHDOG should not be serviced for at least 2048 instruction cycles following IDLE, but must be serviced within the selected window to avoid a WATCHDOG error.

- Following RESET, the initial WATCHDOG service (where the service window and the CLOCK MONITOR enable/disable must be selected) may be programmed anywhere within the maximum service window (65,536 instruction cycles) initialized by RESET. Note that this initial WATCHDOG service may be programmed within the initial 2048 instruction cycles without causing a WATCHDOG error.

### 11.4 DETECTION OF ILLEGAL CONDITIONS

The device can detect various illegal conditions resulting from coding errors, transient noise, power supply voltage drops, runaway programs, etc.

Reading of undefined ROM gets zeroes. The opcode for software interrupt is 00. If the program fetches instructions from undefined ROM, this will force a software interrupt, thus signaling that an illegal condition has occurred.

The subroutine stack grows down for each call (jump to subroutine), interrupt, or PUSH, and grows up for each return or POP. The stack pointer is initialized to RAM location 06F Hex during reset. Consequently, if there are more returns than calls, the stack pointer will point to addresses 070 and 071 Hex (which are undefined RAM). Undefined RAM from addresses 070 to 07F (Segment 0), and all other segments (i.e., Segments 4 ... etc.) is read as all 1's, which in turn will cause the program to return to address 7FFF Hex. It is recommended that the user either leave this location unprogrammed or place an INTR instruction (all 0's) in this location to generate a software interrupt signaling an illegal condition.

Thus, the chip can detect the following illegal conditions:

1. Executing from undefined ROM.
2. Over "POP"ing the stack by having more returns than calls.

When the software interrupt occurs, the user can re-initialize the stack pointer and do a recovery procedure before restarting (this recovery program is probably similar to that following reset, but might not contain the same program initialization procedures). The recovery program should reset the software interrupt pending bit using the RPND instruction.

## 12.0 MICROWIRE/PLUS

MICROWIRE/PLUS is a serial SPI compatible synchronous communications interface. The MICROWIRE/PLUS capability enables the device to interface with MICROWIRE/PLUS or SPI peripherals (i.e. A/D converters, display drivers, EEPROMs etc.) and with other microcontrollers which support the MICROWIRE/PLUS or SPI interface. It consists of an 8-bit serial shift register (SIO) with serial data input (SI), serial data output (SO) and serial shift clock (SK). *Figure 29* shows a block diagram of the MICROWIRE/PLUS logic.

The shift clock can be selected from either an internal source or an external source. Operating the MICROWIRE/PLUS arrangement with the internal clock source is called the Master mode of operation. Similarly, operating the MICROWIRE/PLUS arrangement with an external shift clock is called the Slave mode of operation.

The CNTRL register is used to configure and control the MICROWIRE/PLUS mode. To use the MICROWIRE/PLUS, the MSEL bit in the CNTRL register is set to one. In the master mode, the SK clock rate is selected by the two bits, SL0 and SL1, in the CNTRL register. *Table 10* details the different clock rates that may be selected.

**TABLE 10. MICROWIRE/PLUS  
Master Mode Clock Select**

| SL1 | SL0 | SK Period      |
|-----|-----|----------------|
| 0   | 0   | $2 \times t_C$ |
| 0   | 1   | $4 \times t_C$ |
| 1   | x   | $8 \times t_C$ |

Where  $t_C$  is the instruction cycle clock

### 12.1 MICROWIRE/PLUS OPERATION

Setting the BUSY bit in the PSW register causes the MICROWIRE/PLUS to start shifting the data. It gets reset when eight data bits have been shifted. The user may reset the BUSY bit by software to allow less than 8 bits to shift. If enabled, an interrupt is generated when eight data bits have been shifted. The device may enter the MICROWIRE/PLUS mode either as a Master or as a Slave. *Figure 29* shows how two microcontroller devices and several peripherals may be interconnected using the MICROWIRE/PLUS arrangements.

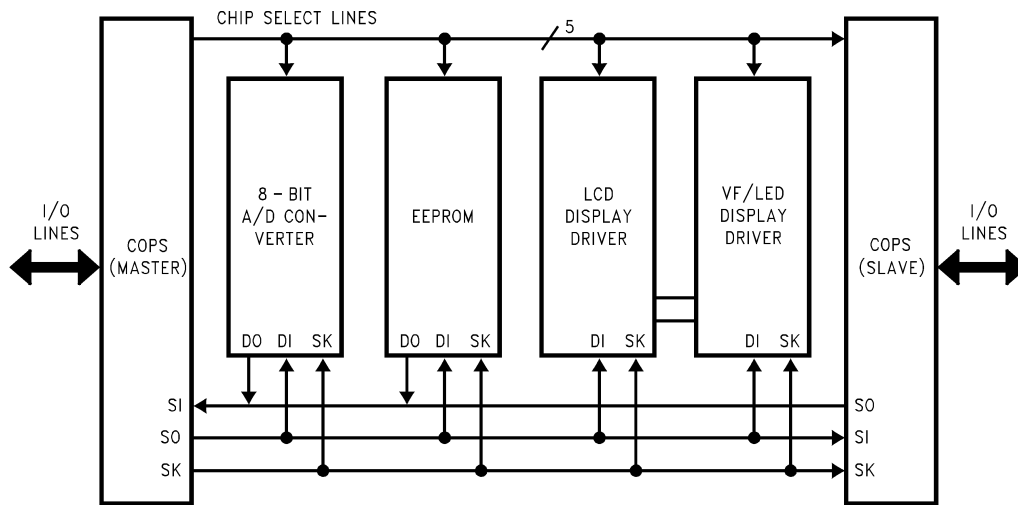
#### WARNING

The SIO register should only be loaded when the SK clock is in the idle phase. Loading the SIO register while the SK clock is in the active phase, will result in undefined data in the SIO register.

Setting the BUSY flag when the input SK clock is in the active phase while in the MICROWIRE/PLUS is in the slave mode may cause the current SK clock for the SIO shift register to be narrow. For safety, the BUSY flag should only be set when the input SK clock is in the idle phase.

#### 12.1.1 MICROWIRE/PLUS Master Mode Operation

In the MICROWIRE/PLUS Master mode of operation the shift clock (SK) is generated internally. The MICROWIRE Master always initiates all data exchanges. The MSEL bit in the CNTRL register must be set to enable the SO and SK functions onto the G Port. The SO and SK pins must also be selected as outputs by setting appropriate bits in the Port G configuration register. In the slave mode, the shift clock stops after 8 clock pulses. *Table 11* summarizes the bit settings required for Master mode of operation.



**FIGURE 29. MICROWIRE/PLUS Application**

## 12.0 MICROWIRE/PLUS (Continued)

### 12.1.2 MICROWIRE/PLUS Slave Mode Operation

In the MICROWIRE/PLUS Slave mode of operation the SK clock is generated by an external source. Setting the MSEL bit in the CNTRL register enables the SO and SK functions onto the G Port. The SK pin must be selected as an input and the SO pin is selected as an output pin by setting and resetting the appropriate bits in the Port G configuration register. Table 11 summarizes the settings required to enter the Slave mode of operation.

**TABLE 11. MICROWIRE/PLUS Mode Settings**

This table assumes that the control flag MSEL is set.

| G4 (SO)<br>Config. Bit | G5 (SK)<br>Config. Bit | G4<br>Fun. | G5<br>Fun. | Operation             |
|------------------------|------------------------|------------|------------|-----------------------|
| 1                      | 1                      | SO         | Int. SK    | MICROWIRE/PLUS Master |
| 0                      | 1                      | TRI-STATE  | Int. SK    | MICROWIRE/PLUS Master |
| 1                      | 0                      | SO         | Ext. SK    | MICROWIRE/PLUS Slave  |
| 0                      | 0                      | TRI-STATE  | Ext. SK    | MICROWIRE/PLUS Slave  |

The user must set the BUSY flag immediately upon entering the Slave mode. This ensures that all data bits sent by the Master is shifted properly. After eight clock pulses the BUSY flag is clear, the shift clock is stopped, and the sequence may be repeated.

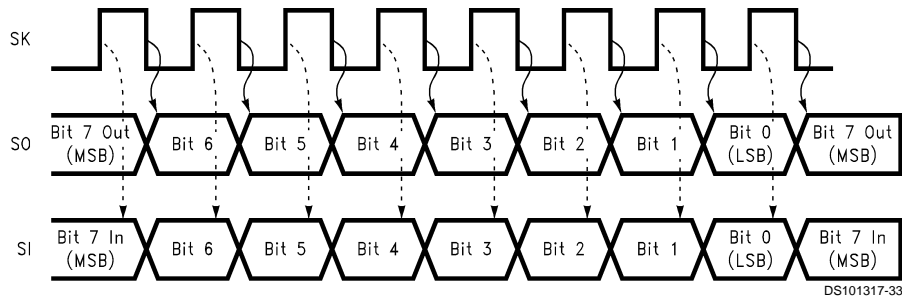
### 12.1.3 Alternate SK Phase Operation and SK Idle Polarity

The device allows either the normal SK clock or an alternate phase SK clock to shift data in and out of the SIO register. In both the modes the SK idle polarity can be either high or low. The polarity is selected by bit 5 of Port G data register. In the normal mode data is shifted in on the rising edge of the SK clock and the data is shifted out on the falling edge of the SK clock. In the alternate SK phase operation, data is shifted in on the falling edge of the SK clock and shifted out on the rising edge of the SK clock. Bit 6 of Port G configuration register selects the SK edge.

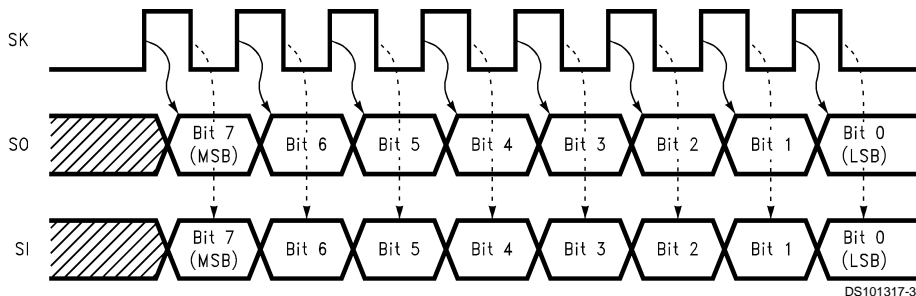
A control flag, SKSEL, allows either the normal SK clock or the alternate SK clock to be selected. Resetting SKSEL causes the MICROWIRE/PLUS logic to be clocked from the normal SK signal. Setting the SKSEL flag selects the alternate SK clock. The SKSEL is mapped into the G6 configuration bit. The SKSEL flag will power up in the reset condition, selecting the normal SK signal.

**TABLE 12. MICROWIRE/PLUS Shift Clock Polarity and Sample/Shift Phase**

| SK Phase  | Port G                    |             | SO Clocked Out On: | SI Sampled On:  | SK Idle Phase |
|-----------|---------------------------|-------------|--------------------|-----------------|---------------|
|           | G6 (SKSEL)<br>Config. Bit | G5 Data Bit |                    |                 |               |
| Normal    | 0                         | 0           | SK Falling Edge    | SK Rising Edge  | Low           |
| Alternate | 1                         | 0           | SK Rising Edge     | SK Falling Edge | Low           |
| Alternate | 0                         | 1           | SK Rising Edge     | SK Falling Edge | High          |
| Normal    | 1                         | 1           | SK Falling Edge    | SK Rising Edge  | High          |



**FIGURE 30. MICROWIRE/PLUS SPI Mode Interface Timing, Normal SK Mode, SK Idle Phase being Low**



**FIGURE 31. MICROWIRE/PLUS SPI Mode Interface Timing, Alternate SK Mode, SK Idle Phase being Low**

12.0 MICROWIRE/PLUS (Continued)

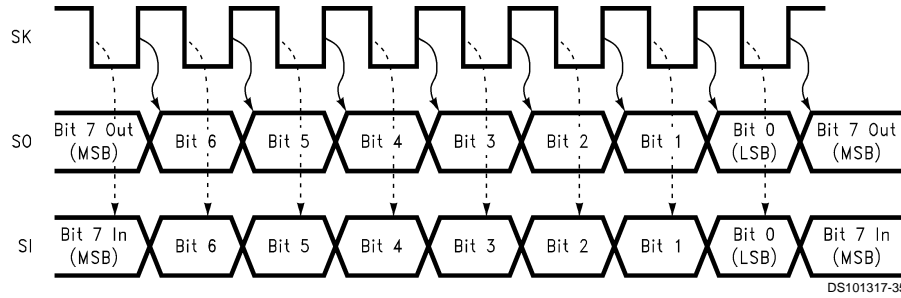


FIGURE 32. MICROWIRE/PLUS SPI Mode Interface Timing, Alternate SK Mode, SK Idle Phase being High

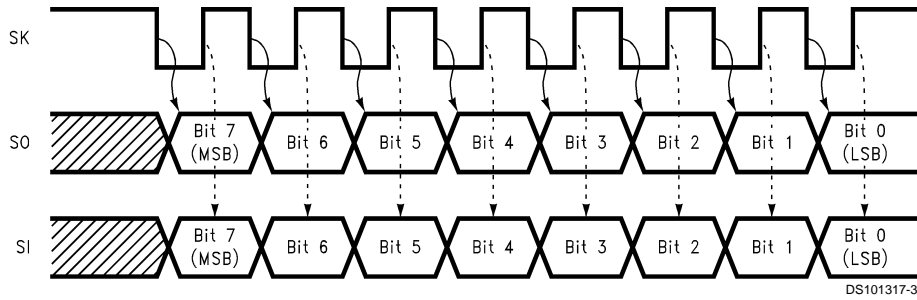


FIGURE 33. MICROWIRE/PLUS SPI Mode Interface Timing, Normal SK Mode, SK Idle Phase being High

## 13.0 Memory Map

All RAM, ports and registers (except A and PC) are mapped into data memory address space.

| Address<br>S/ADD REG | Contents  |
|----------------------|---|
| 0000 to 006F         | On-Chip RAM bytes (112 bytes)                       |
| 0070 to 007F         | Unused RAM Address Space (Reads As All Ones)        |
| xx80 to xx93         | Unused RAM Address Space (Reads Undefined Data)     |
| xx94                 | Port F data register, PORTFD                        |
| xx95                 | Port F configuration register, PORTFC               |
| xx96                 | Port F input pins (read only), PORTFP               |
| xx97 to xxAF         | Unused address space (Reads Undefined Data)         |
| xxB0                 | Timer T3 Lower Byte                                 |
| xxB1                 | Timer T3 Upper Byte                                 |
| xxB2                 | Timer T3 Autoload Register T3RA Lower Byte          |
| xxB3                 | Timer T3 Autoload Register T3RA Upper Byte          |
| xxB4                 | Timer T3 Autoload Register T3RB Lower Byte          |
| xxB5                 | Timer T3 Autoload Register T3RB Upper Byte          |
| xxB6                 | Timer T3 Control Register                           |
| xxB7                 | Comparator Select Register (Reg:CMPSL)              |
| xxB8                 | UART Transmit Buffer (Reg:TBUF)                     |
| xxB9                 | UART Receive Buffer (Reg:RBUF)                      |
| xxBA                 | UART Control and Status Register (Reg:ENU)          |
| xxBB                 | UART Receive Control and Status Register (Reg:ENUR) |
| xxBC                 | UART Interrupt and Clock Source Register (Reg:ENUI) |
| xxBD                 | UART Baud Register (Reg:BAUD)                       |
| xxBE                 | UART Prescale Select Register (Reg:PSR)             |
| xxBF                 | Reserved for UART                                   |
| xxC0                 | Timer T2 Lower Byte                                 |
| xxC1                 | Timer T2 Upper Byte                                 |
| xxC2                 | Timer T2 Autoload Register T2RA Lower Byte          |
| xxC3                 | Timer T2 Autoload Register T2RA Upper Byte          |
| xxC4                 | Timer T2 Autoload Register T2RB Lower Byte          |
| xxC5                 | Timer T2 Autoload Register T2RB Upper Byte          |
| xxC6                 | Timer T2 Control Register                           |
| xxC7                 | WATCHDOG Service Register (Reg:WDSVR)               |
| xxC8                 | MIWU Edge Select Register (Reg:WKEDG)               |

| Address<br>S/ADD REG | Contents   |
|----------------------|--|
| xxC9                 | MIWU Enable Register (Reg:WKEN)                                  |
| xxCA                 | MIWU Pending Register (Reg:WKPND)                                |
| xxCB to xxCF         | Reserved   |
| xxD0                 | Port L Data Register   |
| xxD1                 | Port L Configuration Register                                    |
| xxD2                 | Port L Input Pins (Read Only)                                    |
| xxD3                 | Reserved for Port L  |
| xxD4                 | Port G Data Register   |
| xxD5                 | Port G Configuration Register                                    |
| xxD6                 | Port G Input Pins (Read Only)                                    |
| xxD7                 | Port I Input Pins (Read Only) (Actually reads Port F input pins) |
| xxD8                 | Port C Data Register   |
| xxD9                 | Port C Configuration Register                                    |
| xxDA                 | Port C Input Pins (Read Only)                                    |
| xxDB                 | Reserved for Port C  |
| xxDC                 | Port D   |
| xxDD to xxDF         | Reserved for Port D  |
| xxE0 to xxE5         | Reserved for EE Control Registers                                |
| xxE6                 | Timer T1 Autoload Register T1RB Lower Byte                       |
| xxE7                 | Timer T1 Autoload Register T1RB Upper Byte                       |
| xxE8                 | ICNTRL Register  |
| xxE9                 | MICROWIRE/PLUS Shift Register                                    |
| xxEA                 | Timer T1 Lower Byte  |
| xxEB                 | Timer T1 Upper Byte  |
| xxEC                 | Timer T1 Autoload Register T1RA Lower Byte                       |
| xxED                 | Timer T1 Autoload Register T1RA Upper Byte                       |
| xxEE                 | CNTRL Control Register   |
| xxEF                 | PSW Register   |
| xxF0 to FB           | On-Chip RAM Mapped as Registers                                  |
| xxFC                 | X Register   |
| xxFD                 | SP Register  |
| xxFE                 | B Register   |
| xxFF                 | S Register   |
| 0100–017F            | On-Chip 128 RAM Bytes  |
| 0200–027F            | On-Chip 128 RAM Bytes (Reads as undefined data on COP8SGE)       |
| 0300–037F            | On-Chip 128 RAM Bytes (Reads as undefined data on COP8SGE)       |

**Note:** Reading memory locations 0070H–007FH (Segment 0) will return all ones. Reading unused memory locations 0080H–0093H (Segment 0) will return undefined data. Reading memory locations from other Segments (i.e., Segment 4, Segment 5, ... etc.) will return undefined data.

## 14.0 Instruction Set

### 14.1 INTRODUCTION

This section defines the instruction set of the COPSax7 Family members. It contains information about the instruction set features, addressing modes and types.

### 14.2 INSTRUCTION FEATURES

The strength of the instruction set is based on the following features:

- Mostly single-byte opcode instructions minimize program size.
- One instruction cycle for the majority of single-byte instructions to minimize program execution time.
- Many single-byte, multiple function instructions such as DRSZ.
- Three memory mapped pointers: two for register indirect addressing, and one for the software stack.
- Sixteen memory mapped registers that allow an optimized implementation of certain instructions.
- Ability to set, reset, and test any individual bit in data memory address space, including the memory-mapped I/O ports and registers.
- Register-Indirect LOAD and EXCHANGE instructions with optional automatic post-incrementing or decrementing of the register pointer. This allows for greater efficiency (both in cycle time and program code) in loading, walking across and processing fields in data memory.
- Unique instructions to optimize program size and throughput efficiency. Some of these instructions are DRSZ, IFBNE, DCOR, RETSK, VIS and RRC.

### 14.3 ADDRESSING MODES

The instruction set offers a variety of methods for specifying memory addresses. Each method is called an addressing mode. These modes are classified into two categories: operand addressing modes and transfer-of-control addressing modes. Operand addressing modes are the various methods of specifying an address for accessing (reading or writing) data. Transfer-of-control addressing modes are used in conjunction with jump instructions to control the execution sequence of the software program.

#### 14.3.1 Operand Addressing Modes

The operand of an instruction specifies what memory location is to be affected by that instruction. Several different operand addressing modes are available, allowing memory locations to be specified in a variety of ways. An instruction can specify an address directly by supplying the specific address, or indirectly by specifying a register pointer. The contents of the register (or in some cases, two registers) point to the desired memory location. In the immediate mode, the data byte to be used is contained in the instruction itself.

Each addressing mode has its own advantages and disadvantages with respect to flexibility, execution speed, and program compactness. Not all modes are available with all instructions. The Load (LD) instruction offers the largest number of addressing modes.

The available addressing modes are:

- Direct
- Register B or X Indirect
- Register B or X Indirect with Post-Incrementing/Decrementing
- Immediate
- Immediate Short
- Indirect from Program Memory

The addressing modes are described below. Each description includes an example of an assembly language instruction using the described addressing mode.

**Direct.** The memory address is specified directly as a byte in the instruction. In assembly language, the direct address is written as a numerical value (or a label that has been defined elsewhere in the program as a numerical value).

Example: Load Accumulator Memory Direct

```
LD A,05
```

| Reg/Data<br>Memory          | Contents<br>Before | Contents<br>After |
|-----------------------------|--------------------|-------------------|
| Accumulator                 | XX Hex             | A6 Hex            |
| Memory Location<br>0005 Hex | A6 Hex             | A6 Hex            |

**Register B or X Indirect.** The memory address is specified by the contents of the B Register or X register (pointer register). In assembly language, the notation [B] or [X] specifies which register serves as the pointer.

Example: Exchange Memory with Accumulator, B Indirect

```
X A,[B]
```

| Reg/Data<br>Memory          | Contents<br>Before | Contents<br>After |
|-----------------------------|--------------------|-------------------|
| Accumulator                 | 01 Hex             | 87 Hex            |
| Memory Location<br>0005 Hex | 87 Hex             | 01 Hex            |
| B Pointer                   | 05 Hex             | 05 Hex            |

**Register B or X Indirect with Post-Incrementing/Decrementing.** The relevant memory address is specified by the contents of the B Register or X register (pointer register). The pointer register is automatically incremented or decremented after execution, allowing easy manipulation of memory blocks with software loops. In assembly language, the notation [B+], [B-], [X+], or [X-] specifies which register serves as the pointer, and whether the pointer is to be incremented or decremented.

Example: Exchange Memory with Accumulator, B Indirect with Post-Increment

```
X A,[B+]
```

| Reg/Data<br>Memory          | Contents<br>Before | Contents<br>After |
|-----------------------------|--------------------|-------------------|
| Accumulator                 | 03 Hex             | 62 Hex            |
| Memory Location<br>0005 Hex | 62 Hex             | 03 Hex            |
| B Pointer                   | 05 Hex             | 06 Hex            |

**Intermediate.** The data for the operation follows the instruction opcode in program memory. In assembly language, the number sign character (#) indicates an immediate operand.

## 14.0 Instruction Set (Continued)

Example: Load Accumulator Immediate  
LD A,#05

| Reg/Data<br>Memory | Contents<br>Before | Contents<br>After |
|--------------------|--------------------|-------------------|
| Accumulator        | XX Hex             | 05 Hex            |

**Immediate Short.** This is a special case of an immediate instruction. In the “Load B immediate” instruction, the 4-bit immediate value in the instruction is loaded into the lower nibble of the B register. The upper nibble of the B register is reset to 0000 binary.

Example: Load B Register Immediate Short  
LD B,#7

| Reg/Data<br>Memory | Contents<br>Before | Contents<br>After |
|--------------------|--------------------|-------------------|
| B Pointer          | 12 Hex             | 07 Hex            |

**Indirect from Program Memory.** This is a special case of an indirect instruction that allows access to data tables stored in program memory. In the “Load Accumulator Indirect” (LAID) instruction, the upper and lower bytes of the Program Counter (PCU and PCL) are used temporarily as a pointer to program memory. For purposes of accessing program memory, the contents of the Accumulator and PCL are exchanged. The data pointed to by the Program Counter is loaded into the Accumulator, and simultaneously, the original contents of PCL are restored so that the program can resume normal execution.

Example: Load Accumulator Indirect  
LAID

| Reg/Data<br>Memory          | Contents<br>Before | Contents<br>After |
|-----------------------------|--------------------|-------------------|
| PCU                         | 04 Hex             | 04 Hex            |
| PCL                         | 35 Hex             | 36 Hex            |
| Accumulator                 | 1F Hex             | 25 Hex            |
| Memory Location<br>041F Hex | 25 Hex             | 25 Hex            |

### 14.3.2 Transfer-of-Control Addressing Modes

Program instructions are usually executed in sequential order. However, Jump instructions can be used to change the normal execution sequence. Several transfer-of-control addressing modes are available to specify jump addresses.

A change in program flow requires a non-incremental change in the Program Counter contents. The Program Counter consists of two bytes, designated the upper byte (PCU) and lower byte (PCL). The most significant bit of PCU is not used, leaving 15 bits to address the program memory.

Different addressing modes are used to specify the new address for the Program Counter. The choice of addressing mode depends primarily on the distance of the jump. Farther jumps sometimes require more instruction bytes in order to completely specify the new Program Counter contents.

The available transfer-of-control addressing modes are:

- Jump Relative
- Jump Absolute
- Jump Absolute Long
- Jump Indirect

The transfer-of-control addressing modes are described below. Each description includes an example of a Jump instruction using a particular addressing mode, and the effect on the Program Counter bytes of executing that instruction.

**Jump Relative.** In this 1-byte instruction, six bits of the instruction opcode specify the distance of the jump from the current program memory location. The distance of the jump can range from –31 to +32. A JP+1 instruction is not allowed. The programmer should use a NOP instead.

Example: Jump Relative  
JP 0A

| Reg | Contents<br>Before | Contents<br>After |
|-----|--------------------|-------------------|
| PCU | 02 Hex             | 02 Hex            |
| PCL | 05 Hex             | 0F Hex            |

**Jump Absolute.** In this 2-byte instruction, 12 bits of the instruction opcode specify the new contents of the Program Counter. The upper three bits of the Program Counter remain unchanged, restricting the new Program Counter address to the same 4 kbyte address space as the current instruction.

(This restriction is relevant only in devices using more than one 4 kbyte program memory space.)

Example: Jump Absolute  
JMP 0125

| Reg | Contents<br>Before | Contents<br>After |
|-----|--------------------|-------------------|
| PCU | 0C Hex             | 01 Hex            |
| PCL | 77 Hex             | 25 Hex            |

**Jump Absolute Long.** In this 3-byte instruction, 15 bits of the instruction opcode specify the new contents of the Program Counter.

Example: Jump Absolute Long  
JMP 03625

| Reg/<br>Memory | Contents<br>Before | Contents<br>After |
|----------------|--------------------|-------------------|
| PCU            | 42 Hex             | 36 Hex            |
| PCL            | 36 Hex             | 25 Hex            |



## 14.0 Instruction Set (Continued)

**Jump Indirect.** In this 1-byte instruction, the lower byte of the jump address is obtained from a table stored in program memory, with the Accumulator serving as the low order byte of a pointer into program memory. For purposes of accessing program memory, the contents of the Accumulator are written to PCL (temporarily). The data pointed to by the Program Counter (PCH/PCL) is loaded into PCL, while PCH remains unchanged.

Example: Jump Indirect  
JID

| Reg/<br>Memory                                | Contents<br>Before | Contents<br>After |
|---|--------------------|-------------------|
| PCU   | 01 Hex             | 01 Hex            |
| PCL   | C4 Hex             | 32 Hex            |
| Accumulator<br>Memory<br>Location<br>0126 Hex | 26 Hex             | 26 Hex            |

The VIS instruction is a special case of the Indirect Transfer of Control addressing mode, where the double-byte vector associated with the interrupt is transferred from adjacent addresses in program memory into the Program Counter in order to jump to the associated interrupt service routine.

### 14.4 INSTRUCTION TYPES

The instruction set contains a wide variety of instructions. The available instructions are listed below, organized into related groups.

Some instructions test a condition and skip the next instruction if the condition is not true. Skipped instructions are executed as no-operation (NOP) instructions.

#### 14.4.1 Arithmetic Instructions

The arithmetic instructions perform binary arithmetic such as addition and subtraction, with or without the Carry bit.

- Add (ADD)
- Add with Carry (ADC)
- Subtract (SUB)
- Subtract with Carry (SUBC)
- Increment (INC)
- Decrement (DEC)
- Decimal Correct (DCOR)
- Clear Accumulator (CLR)
- Set Carry (SC)
- Reset Carry (RC)

#### 14.4.2 Transfer-of-Control Instructions

The transfer-of-control instructions change the usual sequential program flow by altering the contents of the Program Counter. The Jump to Subroutine instructions save the Program Counter contents on the stack before jumping; the Return instructions pop the top of the stack back into the Program Counter.

- Jump Relative (JP)
- Jump Absolute (JMP)
- Jump Absolute Long (JMPL)
- Jump Indirect (JID)
- Jump to Subroutine (JSR)

- Jump to Subroutine Long (JSRL)
- Return from Subroutine (RET)
- Return from Subroutine and Skip (RETSK)
- Return from Interrupt (RETI)
- Software Trap Interrupt (INTR)
- Vector Interrupt Select (VIS)

#### 14.4.3 Load and Exchange Instructions

The load and exchange instructions write byte values in registers or memory. The addressing mode determines the source of the data.

- Load (LD)
- Load Accumulator Indirect (LAID)
- Exchange (X)

#### 14.4.4 Logical Instructions

The logical instructions perform the operations AND, OR, and XOR (Exclusive OR). Other logical operations can be performed by combining these basic operations. For example, complementing is accomplished by exclusiveORing the Accumulator with FF Hex.

- Logical AND (AND)
- Logical OR (OR)
- Exclusive OR (XOR)

#### 14.4.5 Accumulator Bit Manipulation Instructions

The Accumulator bit manipulation instructions allow the user to shift the Accumulator bits and to swap its two nibbles.

- Rotate Right Through Carry (RRC)
- Rotate Left Through Carry (RLC)
- Swap Nibbles of Accumulator (SWAP)

#### 14.4.6 Stack Control Instructions

- Push Data onto Stack (PUSH)
- Pop Data off of Stack (POP)

#### 14.4.7 Memory Bit Manipulation Instructions

The memory bit manipulation instructions allow the user to set and reset individual bits in memory.

- Set Bit (SBIT)
- Reset Bit (RBIT)
- Reset Pending Bit (RPND)

#### 14.4.8 Conditional Instructions

The conditional instruction test a condition. If the condition is true, the next instruction is executed in the normal manner; if the condition is false, the next instruction is skipped.

- If Equal (IFEQ)
- If Not Equal (IFNE)
- If Greater Than (IFGT)
- If Carry (IFC)
- If Not Carry (IFNC)
- If Bit (IFBIT)
- If B Pointer Not Equal (IFBNE)
- And Skip if Zero (ANDSZ)
- Decrement Register and Skip if Zero (DRSZ)

## 14.0 Instruction Set (Continued)

### 14.4.9 No-Operation Instruction

The no-operation instruction does nothing, except to occupy space in the program memory and time in execution.

No-Operation (NOP)

**Note:** The VIS is a special case of the Indirect Transfer of Control addressing mode, where the double byte vector associated with the interrupt is transferred from adjacent addresses in the program memory into the program counter (PC) in order to jump to the associated interrupt service routine.

### 14.5 REGISTER AND SYMBOL DEFINITION

The following abbreviations represent the nomenclature used in the instruction description and the COP8 cross-assembler.

| Registers |                                 |
|-----------|---------------------------------|
| A         | 8-Bit Accumulator Register      |
| B         | 8-Bit Address Register          |
| X         | 8-Bit Address Register          |
| SP        | 8-Bit Stack Pointer Register    |
| PC        | 15-Bit Program Counter Register |
| PU        | Upper 7 Bits of PC              |
| PL        | Lower 8 Bits of PC              |

| Registers |   |
|-----------|---|
| C         | 1 Bit of PSW Register for Carry                   |
| HC        | 1 Bit of PSW Register for Half Carry              |
| GIE       | 1 Bit of PSW Register for Global Interrupt Enable |
| VU        | Interrupt Vector Upper Byte                       |
| VL        | Interrupt Vector Lower Byte                       |

| Symbols |  |
|---------|--|
| [B]     | Memory Indirectly Addressed by B Register                  |
| [X]     | Memory Indirectly Addressed by X Register                  |
| MD      | Direct Addressed Memory                                    |
| Mem     | Direct Addressed Memory or [B]                             |
| Meml    | Direct Addressed Memory or [B] or Immediate Data           |
| Imm     | 8-Bit Immediate Data                                       |
| Reg     | Register Memory: Addresses F0 to FF (Includes B, X and SP) |
| Bit     | Bit Number (0 to 7)  |
| ←       | Loaded with  |
| ↔       | Exchanged with   |

### 14.6 INSTRUCTION SET SUMMARY

|       |          |                                  |  |
|-------|----------|----------------------------------|--|
| ADD   | A,Meml   | ADD                              | $A \leftarrow A + \text{Meml}$   |
| ADC   | A,Meml   | ADD with Carry                   | $A \leftarrow A + \text{Meml} + C$ , $C \leftarrow \text{Carry}$ ,<br>$HC \leftarrow \text{Half Carry}$            |
| SUBC  | A,Meml   | Subtract with Carry              | $A \leftarrow A - \overline{\text{Meml}} + C$ , $C \leftarrow \text{Carry}$ ,<br>$HC \leftarrow \text{Half Carry}$ |
| AND   | A,Meml   | Logical AND                      | $A \leftarrow A \text{ and } \overline{\text{Meml}}$   |
| ANDSZ | A,Imm    | Logical AND Immed., Skip if Zero | Skip next if $(A \text{ and } \text{Imm}) = 0$   |
| OR    | A,Meml   | Logical OR                       | $A \leftarrow A \text{ or } \text{Meml}$   |
| XOR   | A,Meml   | Logical EXclusive OR             | $A \leftarrow A \text{ xor } \text{Meml}$  |
| IFEQ  | MD,Imm   | IF Equal                         | Compare MD and Imm, Do next if $MD = \text{Imm}$   |
| IFEQ  | A,Meml   | IF Equal                         | Compare A and Meml, Do next if $A = \text{Meml}$   |
| IFNE  | A,Meml   | IF Not Equal                     | Compare A and Meml, Do next if $A \neq \text{Meml}$  |
| IFGT  | A,Meml   | IF Greater Than                  | Compare A and Meml, Do next if $A > \text{Meml}$   |
| IFBNE | #        | If B Not Equal                   | Do next if lower 4 bits of $B \neq \text{Imm}$   |
| DRSZ  | Reg      | Decrement Reg., Skip if Zero     | $\text{Reg} \leftarrow \text{Reg} - 1$ , Skip if $\text{Reg} = 0$  |
| SBIT  | #,Mem    | Set BIT                          | 1 to bit, Mem (bit = 0 to 7 immediate)   |
| RBIT  | #,Mem    | Reset BIT                        | 0 to bit, Mem  |
| IFBIT | #,Mem    | IF BIT                           | If bit #, A or Mem is true do next instruction   |
| RPND  |          | Reset PeNDing Flag               | Reset Software Interrupt Pending Flag  |
| X     | A,Mem    | EXchange A with Memory           | $A \leftrightarrow \text{Mem}$   |
| X     | A,[X]    | EXchange A with Memory [X]       | $A \leftrightarrow [X]$  |
| LD    | A,Meml   | LoaD A with Memory               | $A \leftarrow \text{Meml}$   |
| LD    | A,[X]    | LoaD A with Memory [X]           | $A \leftarrow [X]$   |
| LD    | B,Imm    | LoaD B with Immed.               | $B \leftarrow \text{Imm}$  |
| LD    | Mem,Imm  | LoaD Memory Immed.               | $\text{Mem} \leftarrow \text{Imm}$   |
| LD    | Reg,Imm  | LoaD Register Memory Immed.      | $\text{Reg} \leftarrow \text{Imm}$   |
| X     | A, [B ±] | EXchange A with Memory [B]       | $A \leftrightarrow [B]$ , $(B \leftarrow B \pm 1)$   |
| X     | A, [X ±] | EXchange A with Memory [X]       | $A \leftrightarrow [X]$ , $(X \leftarrow X \pm 1)$   |

## 14.0 Instruction Set (Continued)

|       |          |                                     |   |
|-------|----------|-------------------------------------|---|
| LD    | A, [B±]  | LoaD A with Memory [B]              | $A \leftarrow [B], (B \leftarrow B \pm 1)$                                      |
| LD    | A, [X±]  | LoaD A with Memory [X]              | $A \leftarrow [X], (X \leftarrow X \pm 1)$                                      |
| LD    | [B±],Imm | LoaD Memory [B] Immed.              | $[B] \leftarrow \text{Imm}, (B \leftarrow B \pm 1)$                             |
| CLR   | A        | CLeaR A                             | $A \leftarrow 0$  |
| INC   | A        | INCRe ment A                        | $A \leftarrow A + 1$  |
| DEC   | A        | DECRe ment A                        | $A \leftarrow A - 1$  |
| LAI D |          | Load A InDirect from ROM            | $A \leftarrow \text{ROM (PU,A)}$  |
| DCOR  | A        | Decimal CORrect A                   | $A \leftarrow \text{BCD correction of A (follows ADC, SUBC)}$                   |
| RRC   | A        | Rotate A Right thru C               | $C \rightarrow A7 \rightarrow \dots \rightarrow A0 \rightarrow C$               |
| RLC   | A        | Rotate A Left thru C                | $C \leftarrow A7 \leftarrow \dots \leftarrow A0 \leftarrow C, HC \leftarrow A0$ |
| SWAP  | A        | SWAP nibbles of A                   | $A7 \dots A4 \leftrightarrow A3 \dots A0$                                       |
| SC    |          | Set C                               | $C \leftarrow 1, HC \leftarrow 1$   |
| RC    |          | Reset C                             | $C \leftarrow 0, HC \leftarrow 0$   |
| IFC   |          | IF C                                | IF C is true, do next instruction   |
| IFNC  |          | IF Not C                            | If C is not true, do next instruction   |
| POP   | A        | POP the stack into A                | $SP \leftarrow SP + 1, A \leftarrow [SP]$                                       |
| PUSH  | A        | PUSH A onto the stack               | $[SP] \leftarrow A, SP \leftarrow SP - 1$                                       |
| VIS   |          | Vector to Interrupt Service Routine | $PU \leftarrow [VU], PL \leftarrow [VL]$  |
| JMPL  | Addr.    | Jump absolute Long                  | $PC \leftarrow ii$ (ii = 15 bits, 0 to 32k)                                     |
| JMP   | Addr.    | Jump absolute                       | $PC9 \dots 0 \leftarrow i$ (i = 12 bits)  |
| JP    | Disp.    | Jump relative short                 | $PC \leftarrow PC + r$ (r is -31 to +32, except 1)                              |
| JSRL  | Addr.    | Jump SubRoutine Long                | $[SP] \leftarrow PL, [SP-1] \leftarrow PU, SP-2, PC \leftarrow ii$              |
| JSR   | Addr.    | Jump SubRoutine                     | $[SP] \leftarrow PL, [SP-1] \leftarrow PU, SP-2, PC9 \dots 0 \leftarrow i$      |
| JID   |          | Jump InDirect                       | $PL \leftarrow \text{ROM (PU,A)}$   |
| RET   |          | RETurn from subroutine              | $SP + 2, PL \leftarrow [SP], PU \leftarrow [SP-1]$                              |
| RETSK |          | RETurn and SKip                     | $SP + 2, PL \leftarrow [SP], PU \leftarrow [SP-1],$<br>skip next instruction    |
| RETI  |          | RETurn from Interrupt               | $SP + 2, PL \leftarrow [SP], PU \leftarrow [SP-1], GIE \leftarrow 1$            |
| INTR  |          | Generate an Interrupt               | $[SP] \leftarrow PL, [SP-1] \leftarrow PU, SP-2, PC \leftarrow 0FF$             |
| NOP   |          | No OPeration                        | $PC \leftarrow PC + 1$  |

## 14.0 Instruction Set (Continued)

### 14.7 INSTRUCTION EXECUTION TIME

Most instructions are single byte (with immediate addressing mode instructions taking two bytes).

Most single byte instructions take one cycle time to execute.

Skipped instructions require x number of cycles to be skipped, where x equals the number of bytes in the skipped instruction opcode.

See the BYTES and CYCLES per INSTRUCTION table for details.

#### Bytes and Cycles per Instruction

The following table shows the number of bytes and cycles for each instruction in the format of byte/cycle.

#### Arithmetic and Logic Instructions

|       | [B] | Direct | Immed. |
|-------|-----|--------|--------|
| ADD   | 1/1 | 3/4    | 2/2    |
| ADC   | 1/1 | 3/4    | 2/2    |
| SUBC  | 1/1 | 3/4    | 2/2    |
| AND   | 1/1 | 3/4    | 2/2    |
| OR    | 1/1 | 3/4    | 2/2    |
| XOR   | 1/1 | 3/4    | 2/2    |
| IFEQ  | 1/1 | 3/4    | 2/2    |
| IFGT  | 1/1 | 3/4    | 2/2    |
| IFBNE | 1/1 |        |        |
| DRSZ  |     | 1/3    |        |
| SBIT  | 1/1 | 3/4    |        |
| RBIT  | 1/1 | 3/4    |        |
| IFBIT | 1/1 | 3/4    |        |

|      |     |
|------|-----|
| RPND | 1/1 |
|------|-----|

#### Instructions Using A & C

|       |     |
|-------|-----|
| CLRA  | 1/1 |
| INCA  | 1/1 |
| DECA  | 1/1 |
| LAI D | 1/3 |
| DCORA | 1/1 |
| RRCA  | 1/1 |
| RLCA  | 1/1 |
| SWAPA | 1/1 |
| SC    | 1/1 |
| RC    | 1/1 |
| IFC   | 1/1 |
| IFNC  | 1/1 |
| PUSHA | 1/3 |
| POPA  | 1/3 |
| ANDSZ | 2/2 |

#### Transfer of Control Instructions

|       |     |
|-------|-----|
| JMPL  | 3/4 |
| JMP   | 2/3 |
| JP    | 1/3 |
| JSRL  | 3/5 |
| JSR   | 2/5 |
| JID   | 1/3 |
| VIS   | 1/5 |
| RET   | 1/5 |
| RETSK | 1/5 |
| RETI  | 1/5 |
| INTR  | 1/7 |
| NOP   | 1/1 |

#### Memory Transfer Instructions

|                 | Register Indirect |     | Direct | Immed. | Register Indirect Auto Incr. & Decr. |          |             |
|-----------------|-------------------|-----|--------|--------|--------------------------------------|----------|-------------|
|                 | [B]               | [X] |        |        | [B+, B-]                             | [X+, X-] |             |
| X A, (Note 17)  | 1/1               | 1/3 | 2/3    |        | 1/2                                  | 1/3      |             |
| LD A, (Note 17) | 1/1               | 1/3 | 2/3    | 2/2    | 1/2                                  | 1/3      |             |
| LD B, Imm       |                   |     |        | 1/1    |                                      |          | (If B < 16) |
| LD B, Imm       |                   |     |        | 2/2    |                                      |          | (If B > 15) |
| LD Mem, Imm     | 2/2               |     | 3/3    |        | 2/2                                  |          |             |
| LD Reg, Imm     |                   |     | 2/3    |        |                                      |          |             |
| IFEQ MD, Imm    |                   |     | 3/3    |        |                                      |          |             |

**Note 17:** = > Memory location addressed by B or X or directly.

14.0 Instruction Set (Continued)

14.8 OPCODE TABLE

| Upper Nibble |       |            |          |            |            |            |            |             |            | Lower Nibble |          |               |               |       |         |  |
|--------------|-------|------------|----------|------------|------------|------------|------------|-------------|------------|--------------|----------|---------------|---------------|-------|---------|--|
| F            | E     | D          | C        | B          | A          | 9          | 8          | 7           | 6          | 5            | 4        | 3             | 2             | 1     | 0       |  |
| JP-15        | JP-31 | LD 0F0, #i | DRSZ 0F0 | RRCA       | RC         | ADC A,#i   | ADC A,[B]  | IFBIT 0,[B] | ANDSZ A,#i | LD B,#0F     | IFBNE 0  | JSR x000-x0FF | JMP x000-x0FF | JP+17 | INTR 0  |  |
| JP-14        | JP-30 | LD 0F1, #i | DRSZ 0F1 | *          | SC         | SUBC A,#i  | SUBC A,[B] | IFBIT 1,[B] | *          | LD B,#0E     | IFBNE 1  | JSR x100-x1FF | JMP x100-x1FF | JP+18 | JP+2 1  |  |
| JP-13        | JP-29 | LD 0F2, #i | DRSZ 0F2 | X          | X A,[B+]   | IFEQ A,#i  | IFEQ A,[B] | IFBIT 2,[B] | *          | LD B,#0D     | IFBNE 2  | JSR x200-x2FF | JMP x200-x2FF | JP+19 | JP+3 2  |  |
| JP-12        | JP-28 | LD 0F3, #i | DRSZ 0F3 | X          | X A,[B-]   | IFGT A,#i  | IFGT A,[B] | IFBIT 3,[B] | *          | LD B,#0C     | IFBNE 3  | JSR x300-x3FF | JMP x300-x3FF | JP+20 | JP+4 3  |  |
| JP-11        | JP-27 | LD 0F4, #i | DRSZ 0F4 | VIS        | LAID       | ADD A,#i   | ADD A,[B]  | IFBIT 4,[B] | CLRA       | LD B,#0B     | IFBNE 4  | JSR x400-x4FF | JMP x400-x4FF | JP+21 | JP+5 4  |  |
| JP-10        | JP-26 | LD 0F5, #i | DRSZ 0F5 | RPND       | JID        | AND A,#i   | AND A,[B]  | IFBIT 5,[B] | SWAPA      | LD B,#0A     | IFBNE 5  | JSR x500-x5FF | JMP x500-x5FF | JP+22 | JP+6 5  |  |
| JP-9         | JP-25 | LD 0F6, #i | DRSZ 0F6 | X A,[X]    | X          | XOR A,#i   | XOR A,[B]  | IFBIT 6,[B] | DCORA      | LD B,#09     | IFBNE 6  | JSR x600-x6FF | JMP x600-x6FF | JP+23 | JP+7 6  |  |
| JP-8         | JP-24 | LD 0F7, #i | DRSZ 0F7 | *          | *          | OR A,#i    | OR A,[B]   | IFBIT 7,[B] | PUSHA      | LD B,#08     | IFBNE 7  | JSR x700-x7FF | JMP x700-x7FF | JP+24 | JP+8 7  |  |
| JP-7         | JP-23 | LD 0F8, #i | DRSZ 0F8 | NOP        | RLCA       | LD A,#i    | IFC        | SBIT 0,[B]  | RBIT 0,[B] | LD B,#07     | IFBNE 8  | JSR x800-x8FF | JMP x800-x8FF | JP+25 | JP+9 8  |  |
| JP-6         | JP-22 | LD 0F9, #i | DRSZ 0F9 | IFNE A,[B] | IFNE Md,#i | IFNE A,#i  | IFNC       | SBIT 1,[B]  | RBIT 1,[B] | LD B,#06     | IFBNE 9  | JSR x900-x9FF | JMP x900-x9FF | JP+26 | JP+10 9 |  |
| JP-5         | JP-21 | LD 0FA, #i | DRSZ 0FA | LD A,[X+]  | LD A,[B+]  | LD [B+],#i | INCA       | SBIT 2,[B]  | RBIT 2,[B] | LD B,#05     | IFBNE 0A | JSR xA00-xAFF | JMP xA00-xAFF | JP+27 | JP+11 A |  |
| JP-4         | JP-20 | LD 0FB, #i | DRSZ 0FB | LD A,[X-]  | LD A,[B-]  | LD [B-],#i | DECA       | SBIT 3,[B]  | RBIT 3,[B] | LD B,#04     | IFBNE 0B | JSR xB00-xBFF | JMP xB00-xBFF | JP+28 | JP+12 B |  |
| JP-3         | JP-19 | LD 0FC, #i | DRSZ 0FC | LD Md,#i   | JMPL       | X A,Md     | POPA       | SBIT 4,[B]  | RBIT 4,[B] | LD B,#03     | IFBNE 0C | JSR xC00-xCFF | JMP xC00-xCFF | JP+29 | JP+13 C |  |
| JP-2         | JP-18 | LD 0FD, #i | DRSZ 0FD | DIR        | JSRL       | LD A,Md    | RETSK      | SBIT 5,[B]  | RBIT 5,[B] | LD B,#02     | IFBNE 0D | JSR xD00-xDFF | JMP xD00-xDFF | JP+30 | JP+14 D |  |
| JP-1         | JP-17 | LD 0FE, #i | DRSZ 0FE | LD A,[X]   | LD A,[B]   | LD [B],#i  | RET        | SBIT 6,[B]  | RBIT 6,[B] | LD B,#01     | IFBNE 0E | JSR xE00-xEFF | JMP xE00-xEFF | JP+31 | JP+15 E |  |
| JP-0         | JP-16 | LD 0FF, #i | DRSZ 0FF | *          | *          | LD B,#i    | RETI       | SBIT 7,[B]  | RBIT 7,[B] | LD B,#00     | IFBNE 0F | JSR xF00-xFFF | JMP xF00-xFFF | JP+32 | JP+16 F |  |

Where,  
i is the immediate data  
Md is a directly addressed memory location  
\* is an unused opcode  
The opcode 60 Hex is also the opcode for IFBIT #i,A

## 15.0 Mask Options

See Section 5.5 ECON (CONFIGURATION) REGISTER.

## 16.0 COP8 Tools Overview

National is engaged with an international community of independent 3rd party vendors who provide hardware and software development tool support. Through National's interaction and guidance, these tools cooperate to form a choice of tools that fits each developer's needs.

This section provides a summary of the tool and development kits currently available. Up-to-date information, selection guides, free tools, demos, updates, and purchase information can be obtained at our web site at: [www.national.com/cop8](http://www.national.com/cop8).

### 16.1 SUMMARY OF TOOLS

#### COP8 Evaluation Software and Reference Designs

- **COP8–NSEVAL:** Software Evaluation package for Windows. A fully integrated evaluation environment for COP8. Includes WCOP8 IDE evaluation version (Integrated Development Environment), COP8-NSASM (Full COP8 Assembler), COP8-MLSIM (COP8 Instruction Level Simulator), COP8C Compiler Demo, DriveWay™ COP8 Device-Driver-Builder Demo, Manuals, Applications Software, and other COP8 technical information.
- **COP8–REF-xx:** Reference Designs for COP8 Families. Realtime hardware environment with a variety of functions for demonstrating the various capabilities and features of specific COP8 device families. Run Win 95 demo reference software and exercise specific device capabilities.

#### COP8 Starter Kits and Hardware Target Solutions

- **COP8-EVAL-xxx:** A variety of Multifunction Evaluation, Design Test, and Target Boards for COP8 Families. Realtime target design environments with a selection of peripherals and features including multi I/O, LCD display, keyboard, A/D, D/A, EEPROM, USART, LEDs, and bread-board area. Quickly design, test, and implement a custom target system (some target boards are stand-alone, and ready for mounting into a standard enclosure), or just evaluate and test your code.

#### COP8 Software Development Languages and Integrated Environments

- **COP8-NSDEV:** National's COP8 Software Development package for Windows on CD. A fully Integrated Development Environment for COP8. Includes a fully licensed WCOP8 IDE, COP8-NSASM. Plus Manuals, Applications Software, and other COP8 technical information.
- **COP8C:** ByteCraft - C Cross-Compiler and Code Development System. Includes BCLIDE (Integrated Development Environment) for Win32, editor, optimizing C Cross-Compiler, macro cross assembler, BC-Linker, and MetaLinktools support. (DOS/SUN versions available).
- **EWCOP8, EWCOP8-M, EWCOP8-BL:** IAR - ANSI C-Compiler and Embedded Workbench. (M version includes MetaLink debugger support) (BL version: 4k code limit; no FP). A fully integrated Win32 IDE, ANSI C-Compiler, macro assembler, editor, linker, librarian, and C-Spy high-level simulator/debugger.

#### COP8 Development Productivity Tools

- **DriveWay-COP8:** Aisys Corporation - COP8 Peripherals Code Generation tool. Automatically generates tested and documented C or Assembly source code modules

containing I/O drivers and interrupt handlers for each on-chip peripheral. Application specific code can be inserted for customization using the integrated editor.

- **COP8-UTILS:** COP8 assembly code examples, device drivers, and utilities to speed up code development. (Included with COP8-NSDEV and COP8-NSEVAL.)

#### COP8 Hardware Debug Tools

- **COP8-EM-xx:** Metalink COP8 Emulation Module for OTP/ROM COP8 Families. Windows based development and real-time in-circuit emulation tool, with 100 frame trace, 32k s/w breaks, Enhanced User Interface, MetaLink Debugger. Includes COP8-NSDEV, power supply, DIP emulation cables.
- **COP8-DM-xx:** Metalink COP8 Debug Module for OTP/ROM COP8 Families. Windows based development and real-time in-circuit emulation tool, with 100 frame trace, 32k s/w breaks, Basic User Interface, MetaLink Debugger, and COP8 OTP Programmer with sockets. Includes COP8-NSDEV, power supply, DIP and/or SMD emulation cables and adapters.
- **COP8-IM:** MetaLink iceMASTER® for OTP/ROM COP8 devices. Windows based, full featured real-time in-circuit emulator, with 4k trace, 32k s/w breaks, and MetaLink Windows Debugger. Includes COP8-NSDEV and power supply. Package-specific probes and surface mount adaptors are ordered separately. (Add COP8-PM and adaptors for OTP programming.)

#### COP8 Development and OTP Programming Tools

- **COP8-PM:** COP8 Development Programming Module. Windows programming tool for COP8 OTP/Flash Families. Includes 40 DIP programming socket, control software, RS232 cable, and power supply. (Programming adaptors are extra.)
- **Development:** Metalink's Debug Module includes development device programming capability for COP8 devices. Many other third-party programmers are approved for development and engineering use.
- **Production:** Third-party programmers and automatic handling equipment cover needs from engineering prototype and pilot production, to full production environments.
- **Factory Programming:** Factory programming available for high-volume requirements.

## 16.0 COP8 Tools Overview (Continued)

### 16.2 TOOLS ORDERING NUMBERS FOR THE COP8SGx FAMILY DEVICES

The COP8-IM/400 ICE can be used for emulation with the limitation of 10 MHz emulation speed maximum. For full speed COP8SGx emulation, use the 15 MHz COP8-DM-SG or COP8-EM-SG.

Note: The following order numbers apply to the COP8 devices in this datasheet only.

| Vendor         | Tools                           | Order Number                           | Cost                                      | Notes  |  |
|----------------|---------------------------------|--|---|--|--|
| National       | COP8-NSEVAL                     | COP8-NSEVAL                            | Free                                      | Web site download; order from web site.  |  |
|                | COP8-REF                        | COP8-REF-SG                            | VL  | Order from web site  |  |
|                | COP8-EVAL                       | COP8-EVAL-COB1                         | VL  | Order from web site  |  |
|                | COP8-NSDEV                      | COP8-NSDEV                             | VL  | Included in EM. Order CD from web site   |  |
|                | COP8-EM                         | COP8-EM-SG                             | M   | Included p/s, 28/40 pin DIP target cable, manuals, software  |  |
|                | EM Target Cables and Converters | COP8-EMC-44P                           |   | VL   | 44 PLCC Target Cable                     |
|                |                                 | COP8-EMC-28CSP                         |   | L  | 28 CSP Target Cable                      |
|                |                                 | COP8-EMA-xxSO                          |   | L  | DIP to SOIC Cable Converter              |
|                |                                 | COP8-EMA-44QFP                         |   | L  | 44 pin PLCC to 44 QFP Cable Converter    |
|                | Development Devices             | COP8SGR7, COP8SGE7                     | VL  | 32k or 8k Eraseable/OTP devices  |  |
|                | COP8-PM                         | COP8-PM-00                             | L   | Included p/s, manuals, software, 16/20/28/40 DIP/SO and 44 PLCC programming socket; add OTP adapter or target adapter (if needed)                                  |  |
|                | OTP Programming Adapters        | COP8-PGMA-44QFP                        |   | L  | For programming 44 QFP on any programmer |
|                |                                 | COP8-PGMA-28CSP                        |   | L  | For programming 28 CSP on any programmer |
|                |                                 | COP8-PGMA-44CSP                        |   | L  | For programming 44 CSP on any programmer |
| COP8-PGMA-28SO |                                 |  | VL  | For programming 16/20/28 SOIC on any programmer  |  |
| COP8-IM        | Call MetaLink                   |  |   |  |  |
| MetaLink       | COP8-DM                         | DM5-KCOP8-SG                           | M   | Included p/s (PS-10), target cables (DIP and PLCC), 16/20/28/40 DIP/SO and 44 PLCC programming sockets. Add OTP adapter (if needed) and target adapter (if needed) |  |
|                | DM Target Adapters              | MHW-CNVxx (xx = 33, 34 etc.)           | L   | DM target converters for 16DIP/20SO/28SO/44QFP/28CSP; (i.e. MHW-CNV38 for 20 pin DIP to SO package converter)  |  |
|                | OTP Programming Adapters        | MHW-COP8-PGMA-DS                       | L   | For programming 16/20/28 SOIC and 44 PLCC on the EPU   |  |
|                |                                 | MHW-COP8-PGMA-44QFP                    | L   | For programming 44 QFP on any programmer   |  |
|                |                                 | MHW-COP8-PGMA-28CSP                    | L   | For programming 28 CSP on any programmer   |  |
|                | COP8-IM                         | IM-COP8-AD-464 (-220) (10 MHz maximum) | H   | Base unit 10 MHz; -220 = 220V; add probe card (required) and target adapter (if needed); included software and manuals   |  |
|                | IM Probe Card                   | PC-COP8SG44PW-AD-10                    | M   | 10 MHz 44 PLCC probe card; 2.5V to 6.0V  |  |
|                |                                 | PC-COP8SG40DW-AD-10                    | M   | 10 MHz 40 DIP probe card; 2.5V to 6.0V   |  |
|                | IM Probe Target Adapters        | MHW-SOICxx (xx = 16, 20, 28)           | L   | 16 or 20 or 28 pin SOIC adapter for probe card   |  |
|                |                                 | MHW-CSPxx (xx = 20, 28)                | L   | 20 or 28 pin CSP adapter for probe card  |  |
| MHW-CONV33     |                                 | L                                      | 44 pin QFP adapter for 44 PLCC probe card |  |  |
| National       | COP8-EVAL-xxx                   | COP8-EVAL-COB1                         | L   | No power supply  |  |
| KKD            | WCOP8-IDE                       | WCOP8-IDE                              | VL  | Included in DM and EM  |  |
| IAR            | EWCO8-xx                        | See summary above                      | L - H                                     | Included all software and manuals  |  |

## 16.0 COP8 Tools Overview (Continued)

|   |               |  |       |                                   |
|---|---------------|--|-------|-----------------------------------|
| Byte<br>Craft   | COP8C         | COP8C COP8CWIN   | M     | Included all software and manuals |
| Aisys   | DriveWay COP8 | DriveWay COP8  | L     | Included all software and manuals |
| OTP Programmers   |               | Go to:<br><a href="http://www.national.com/cop8">www.national.com/cop8</a> | L - H | A wide variety world-wide         |
| Cost: Free; VL =< \$100; L = \$100 - \$300; M = \$300 - \$1k; H = \$1k - \$3k; VH = \$3k - \$5k |               |  |       |                                   |



## 16.0 COP8 Tools Overview (Continued)

### 16.3 WHERE TO GET TOOLS

Tools are ordered directly from the following vendors. Please go to the vendor's web site for current listings of distributors.

| Vendor     | Home Office  | Electronic Sites  | Other Main Offices   |
|------------|--|---|--|
| Aisys      | U.S.A.: Santa Clara, CA<br>1-408-327-8820<br>fax: 1-408-327-8830 | www.aisysinc.com<br>info@aisysinc.com   | Distributors   |
| Byte Craft | U.S.A.<br>1-519-888-6911<br>fax: 1-519-746-6751                  | www.bytecraft.com<br>info@bytecraft.com   | Distributors   |
| IAR        | Sweden: Uppsala<br>+46 18 16 78 00<br>fax: +46 18 16 78 38       | www.iar.se<br>info@iar.se<br>info@iar.com<br>info@iarsys.co.uk<br>info@iar.de                         | U.S.A.: San Francisco<br>1-415-765-5500<br>fax: 1-415-765-5503<br>U.K.: London<br>+44 171 924 33 34<br>fax: +44 171 924 53 41<br>Germany: Munich<br>+49 89 470 6022<br>fax: +49 89 470 956 |
| ICU        | Sweden: Polygonvaegen<br>+46 8 630 11 20<br>fax: +46 8 630 11 70 | www.icu.se<br>support@icu.se<br>support@icu.ch  | Switzerland: Hoehe<br>+41 34 497 28 20<br>fax: +41 34 497 28 21  |
| KKD        | Denmark:   | www.kkd.dk  |  |
| MetaLink   | U.S.A.: Chandler, AZ<br>1-800-638-2423<br>fax: 1-602-926-1198    | www.metaice.com<br>sales@metaice.com<br>support@metaice.com<br>bbs: 1-602-962-0013<br>www.metalink.de | Germany: Kirchseeon<br>80-91-5696-0<br>fax: 80-91-2386<br>islanger@metalink.de<br>Distributors Worldwide   |
| National   | U.S.A.: Santa Clara, CA<br>1-800-272-9959<br>fax: 1-800-737-7018 | www.national.com/cop8<br>support@nsc.com<br>europe.support@nsc.com                                    | Europe: +49 (0) 180 530 8585<br>fax: +49 (0) 180 530 8586<br>Distributors Worldwide  |

The following companies have approved COP8 programmers in a variety of configurations. Contact your local office or distributor. You can link to their web sites and get the latest listing of approved programmers from National's COP8 OTP Support page at: [www.national.com/cop8](http://www.national.com/cop8).

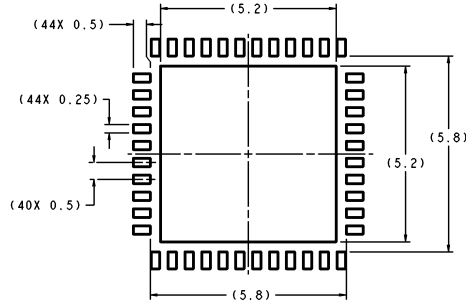
Advantech; Dataman; EE Tools; Minato; BP Microsystems; Data I/O; Hi-Lo Systems; ICE Technology; Lloyd Research;

Logical Devices; MQP; Needhams; Phyton; SMS; Stag Programmers; System General; Tribal Microsystems; Xeltek.

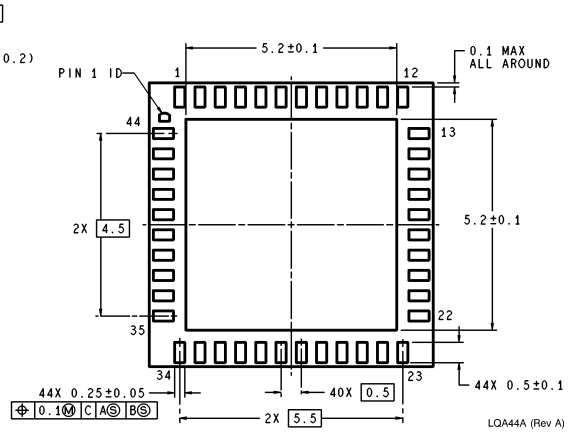
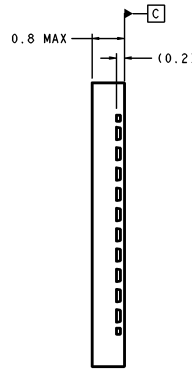
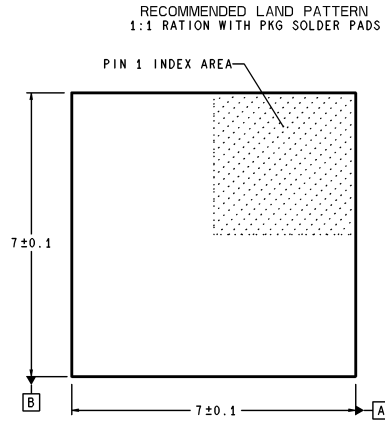
### 16.4 CUSTOMER SUPPORT

Complete product information and technical support is available from National's customer response centers, and from our on-line COP8 customer support sites.

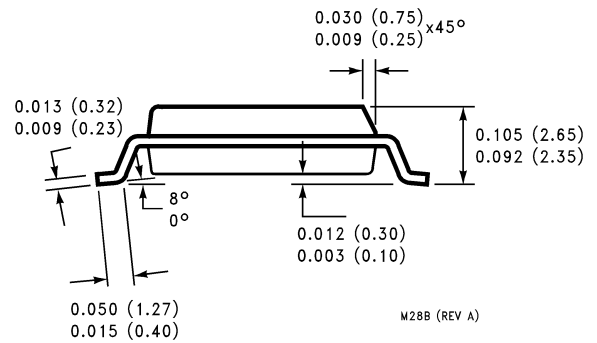
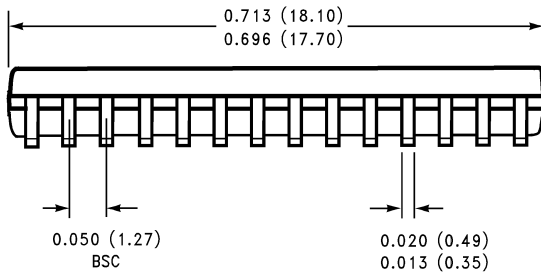
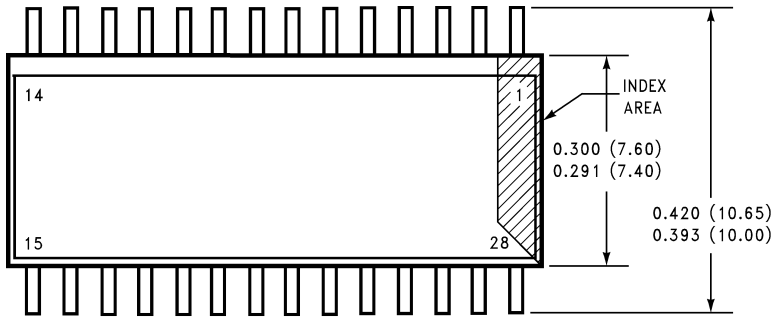
**Physical Dimensions** inches (millimeters) unless otherwise noted



DIMENSIONS ARE IN MILLIMETERS

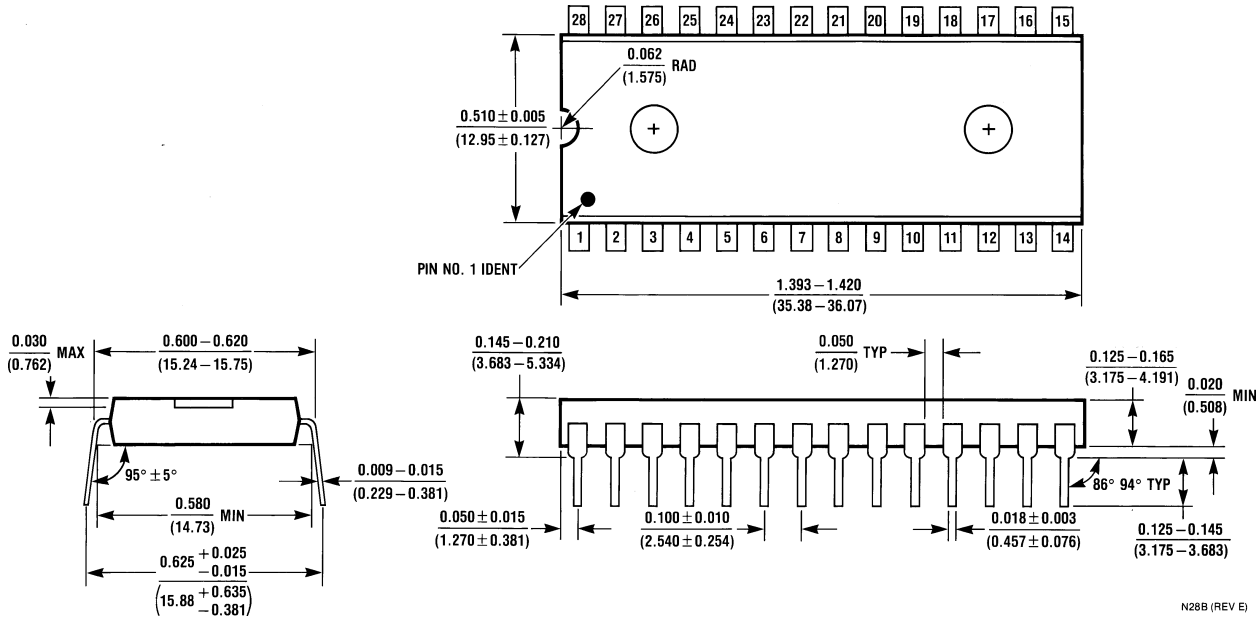


**Chip Scale Package CSP**  
Order Number COP8SGR7HLQ8  
NS Package Number LQA44A



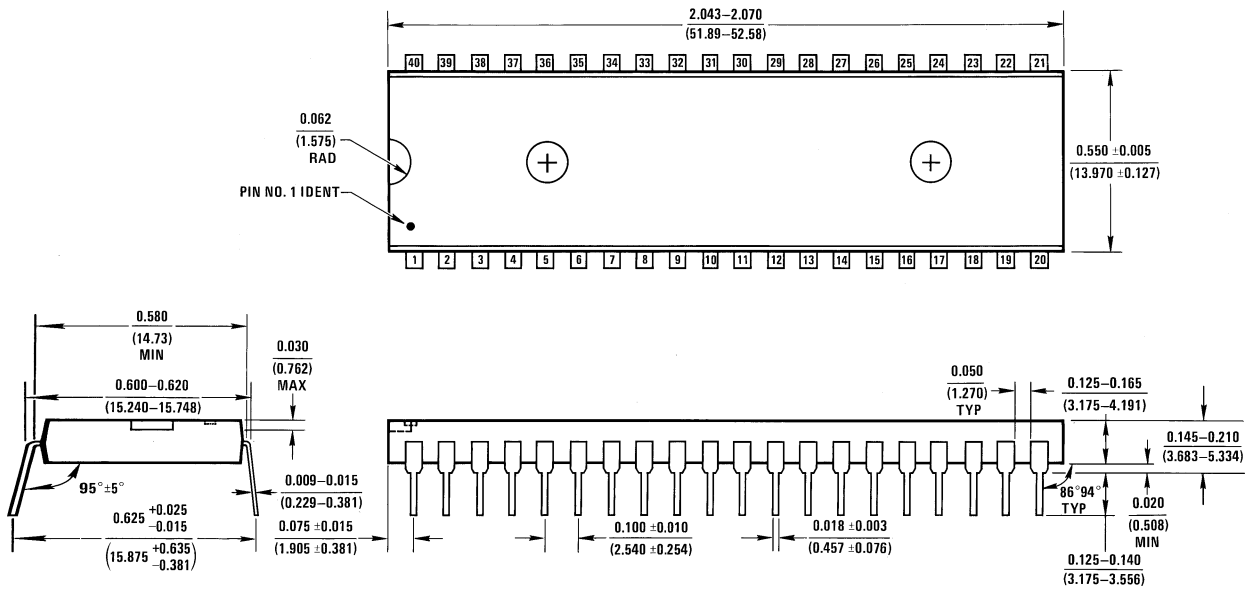
**Molded SO Wide Body Package (WM)**  
Order Number COP8SGx528Mx,  
NS Package Number M28B

**Physical Dimensions** inches (millimeters) unless otherwise noted (Continued)



**Molded Dual-In-Line Package (N)**  
**Order Number COP8SGx728Nx**  
**NS Package Number N28B**

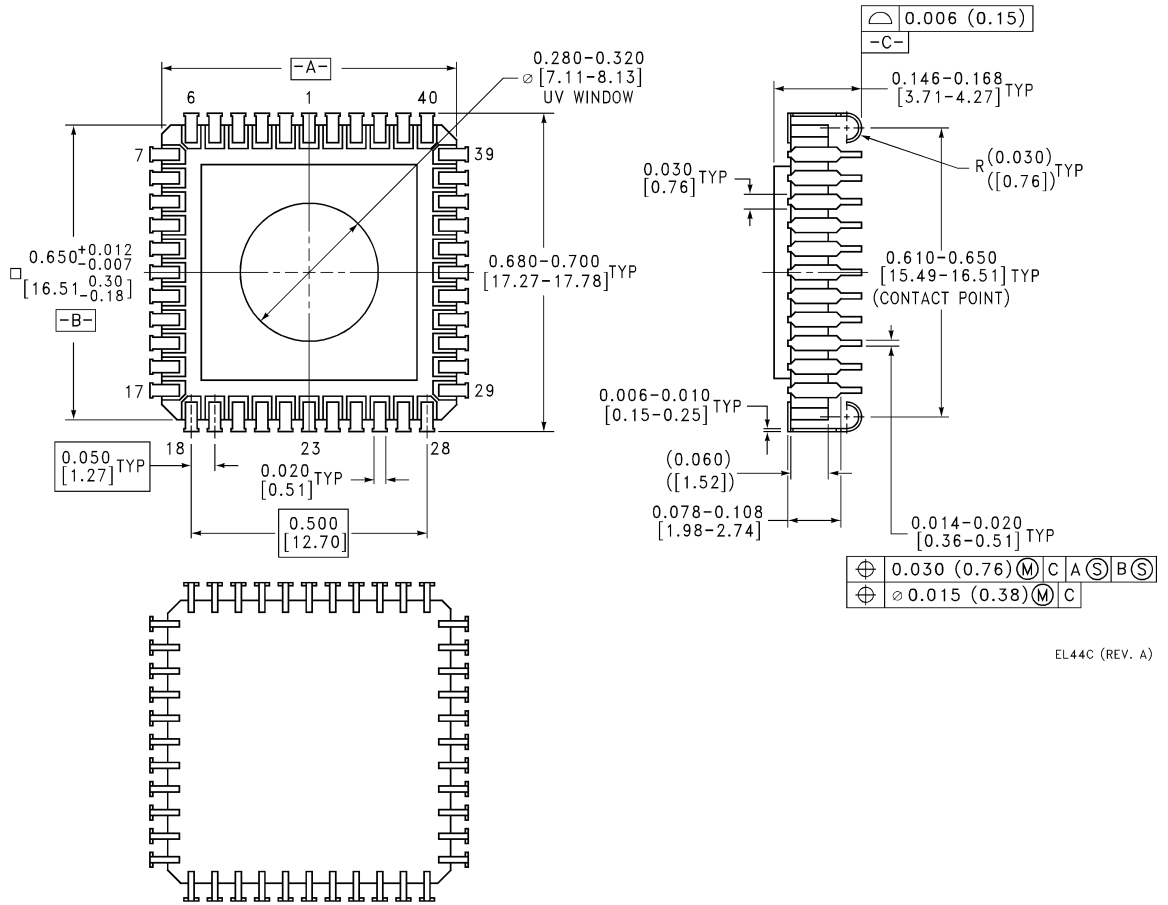
N28B (REV E)



**Molded Dual-In-Line Package (N)**  
**Order Number COP8SGx540Nx**  
**NS Package Number N40A**

N40A (REV E)

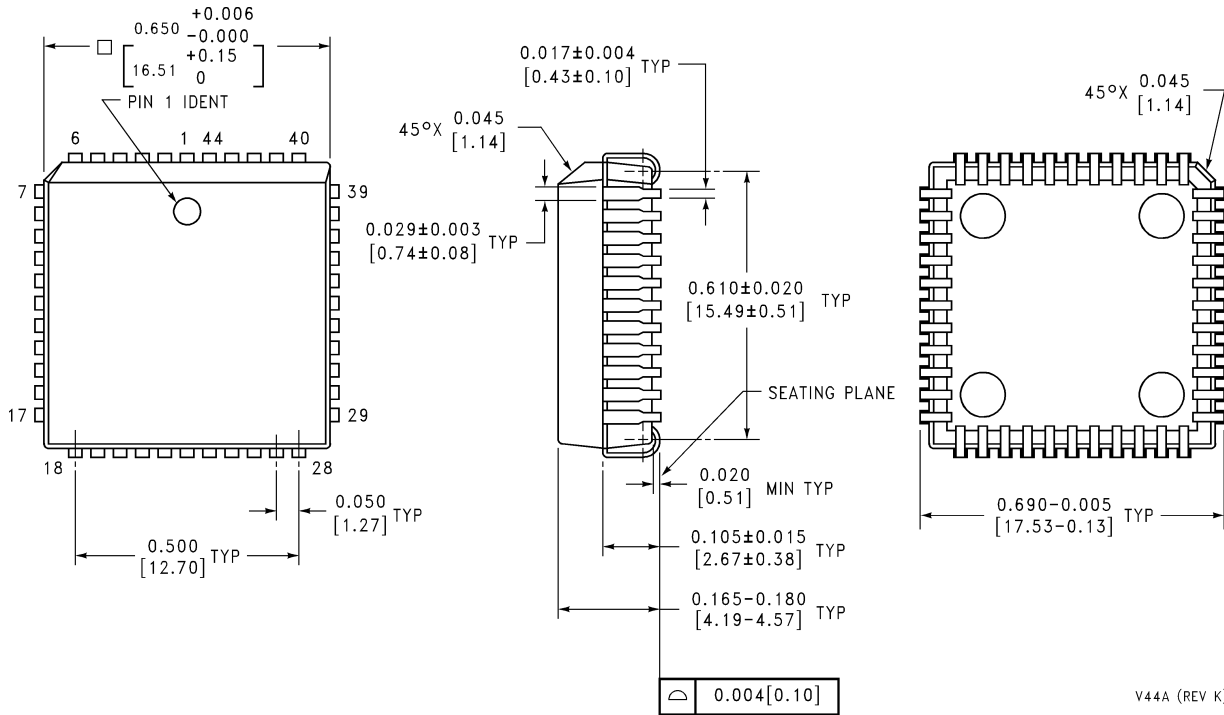
**Physical Dimensions** inches (millimeters) unless otherwise noted (Continued)



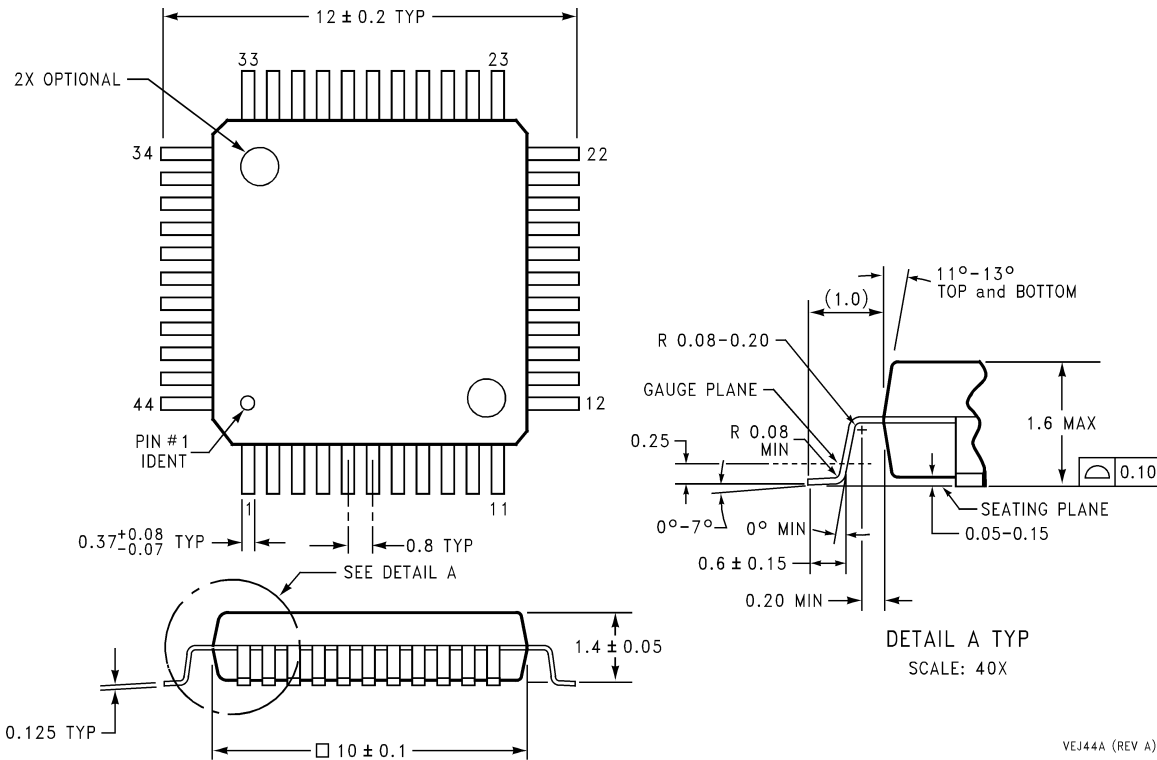
EL44C (REV. A)

**44-Lead EPROM Leaded Chip Carrier (EL)**  
**Order Number COP8SGR744J3**  
**NS Package Number EL44C**

**Physical Dimensions** inches (millimeters) unless otherwise noted (Continued)



**Molded Dual-In-Line Package (N)**  
**Order Number COP8SGx544Vx**  
**NS Package Number V44A**



**Plastic Quad Flat Package (VEJ)**  
**Order Number COP8SGx544VEJx**  
**NS Package Number VEJ44A**

## Notes

### LIFE SUPPORT POLICY

NATIONAL'S PRODUCTS ARE NOT AUTHORIZED FOR USE AS CRITICAL COMPONENTS IN LIFE SUPPORT DEVICES OR SYSTEMS WITHOUT THE EXPRESS WRITTEN APPROVAL OF THE PRESIDENT AND GENERAL COUNSEL OF NATIONAL SEMICONDUCTOR CORPORATION. As used herein:

1. Life support devices or systems are devices or systems which, (a) are intended for surgical implant into the body, or (b) support or sustain life, and whose failure to perform when properly used in accordance with instructions for use provided in the labeling, can be reasonably expected to result in a significant injury to the user.
2. A critical component is any component of a life support device or system whose failure to perform can be reasonably expected to cause the failure of the life support device or system, or to affect its safety or effectiveness.



**National Semiconductor Corporation**  
Americas  
Tel: 1-800-272-9959  
Fax: 1-800-737-7018  
Email: support@nsc.com  
www.national.com

**National Semiconductor Europe**  
Fax: +49 (0) 180-530 85 86  
Email: europe.support@nsc.com  
Deutsch Tel: +49 (0) 69 9508 6208  
English Tel: +44 (0) 870 24 0 2171  
Français Tel: +33 (0) 1 41 91 8790

**National Semiconductor Asia Pacific Customer Response Group**  
Tel: 65-2544466  
Fax: 65-2504466  
Email: ap.support@nsc.com

**National Semiconductor Japan Ltd.**  
Tel: 81-3-5639-7560  
Fax: 81-3-5639-7507