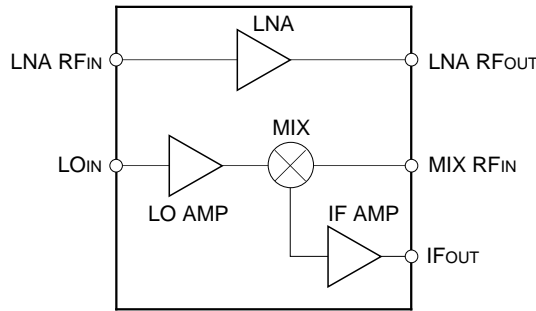


Electrical Characteristics

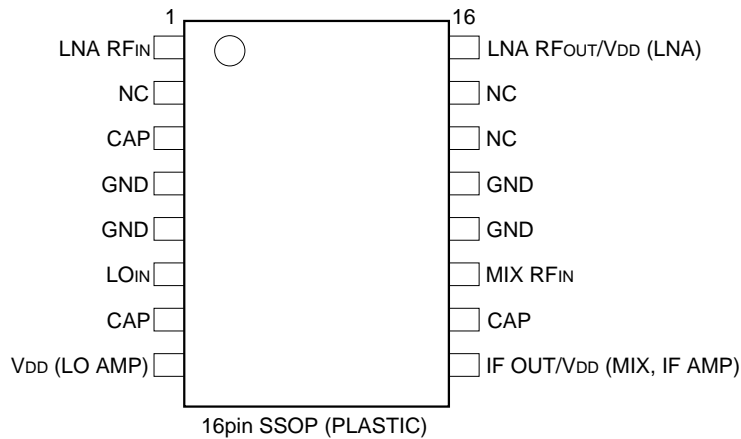
$V_{DD}=3.0\text{ V}$, $f_{RF}=1.49\text{ GHz}$, $f_{LO}=1.62\text{ GHz}$, $P_{LO}=-15\text{ dBm}$, when $50\ \Omega$ I/O matching; unless otherwise specified
($T_a=25\text{ }^\circ\text{C}$)

Item		Symbol	Min.	Typ.	Max.	Unit	Measurement condition
Low noise amplifier	Current consumption	I_{DD}	—	2.2	3.0	mA	When no signal
	Power gain	G_P	14	16	18	dB	
	Noise figure	NF	—	1.85	2.6	dB	
	Input IP3	IIP3	-7.5	-3.5	—	dBm	
	Isolation	ISO	30	35	—	dB	
Mixer	Current consumption	I_{DD}	—	3.8	5.5	mA	When no signal
	Conversion gain	G_c	6	8	10	dB	
	Noise figure	NF	—	8.5	10.5	dB	
	Input IP3	IIP3	-2	2	—	dBm	
	LO to RF leak level	PLK	—	-17	-12	dBm	

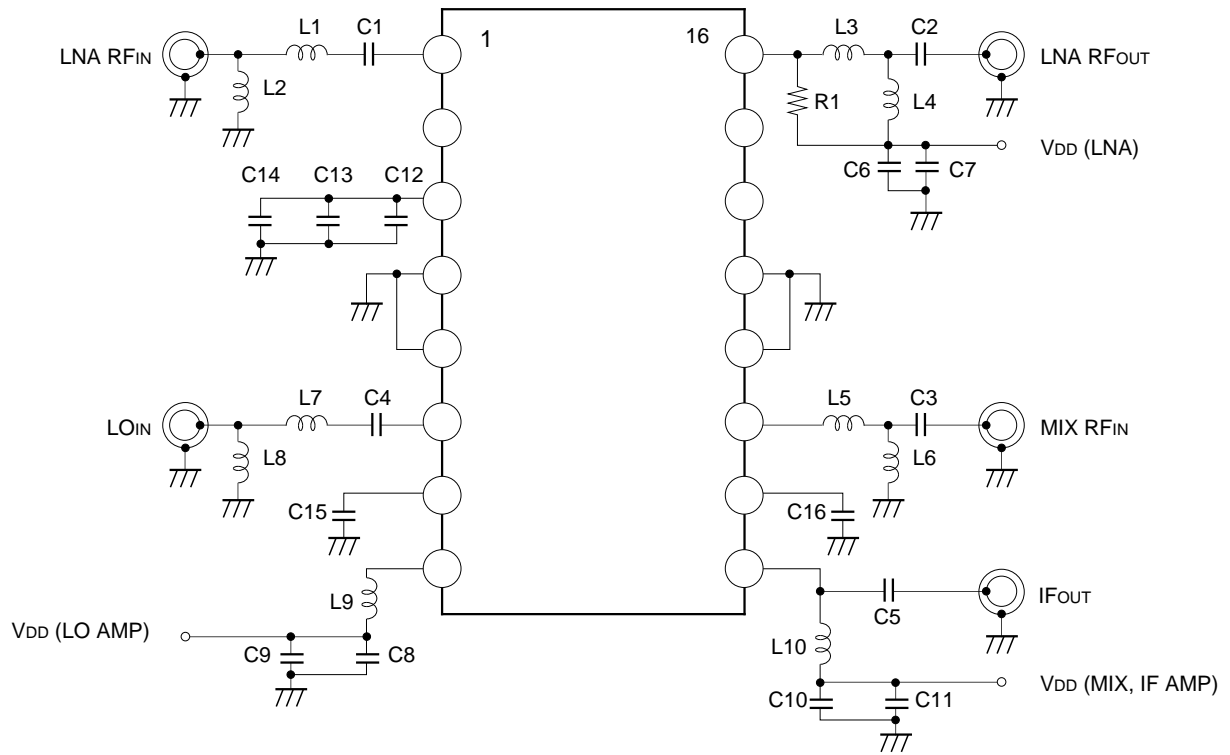
Block Diagram



Pin Configuration



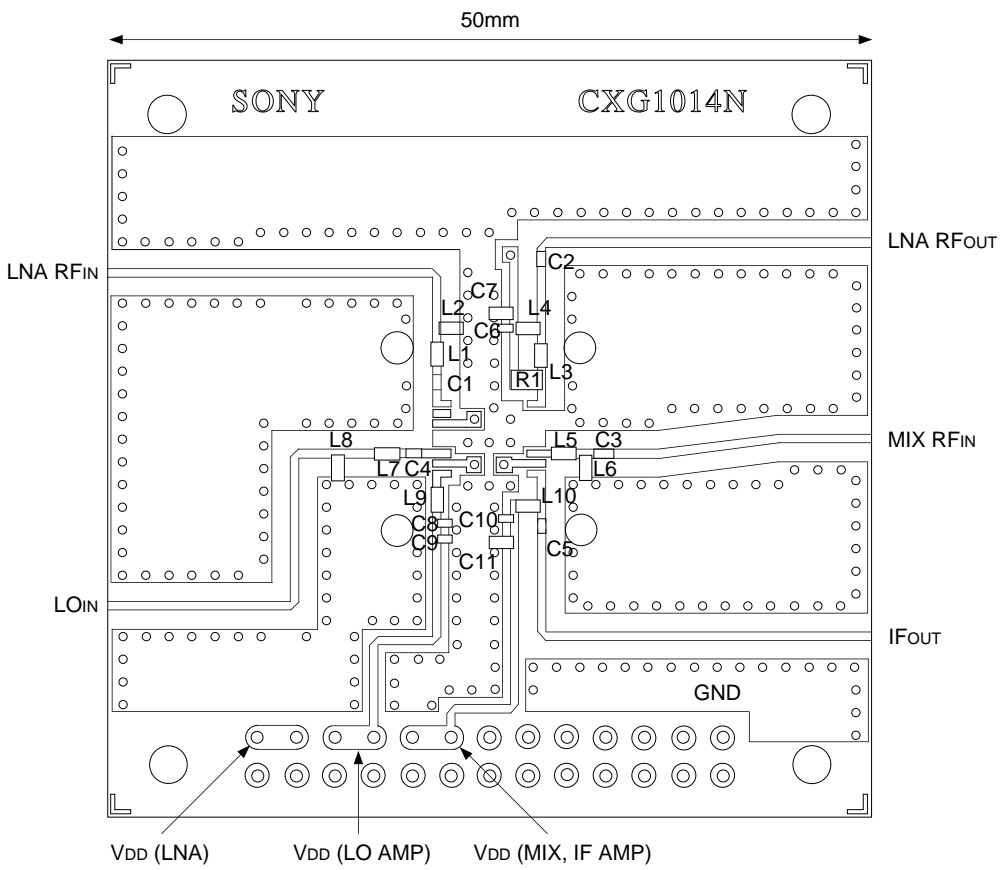
Recommended Circuit



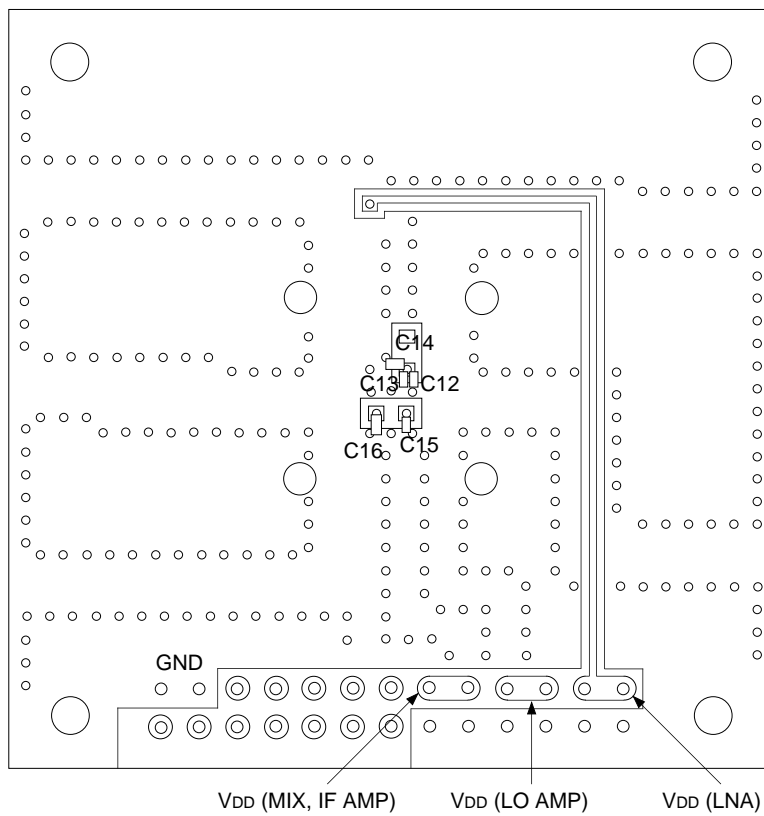
L1	6.8 nH	L10	150 nH	C9	10 nF
L2	4.7 nH	C1	100 pF	C10	1000 pF
L3	4.7 nH	C2	100 pF	C11	1 μF
L4	3.3 nH	C3	2 pF	C12	100 pF
L5	10 nH	C4	100 pF	C13	1000 pF
L6	4.7 nH	C5	10 pF	C14	1 μF
L7	5.6 nH	C6	1000 pF	C15	1000 pF
L8	3.3 nH	C7	1 μF	C16	1 μF
L9	10 nH	C8	1000 pF	R1	1 kΩ

Recommended Evaluation Board

Front

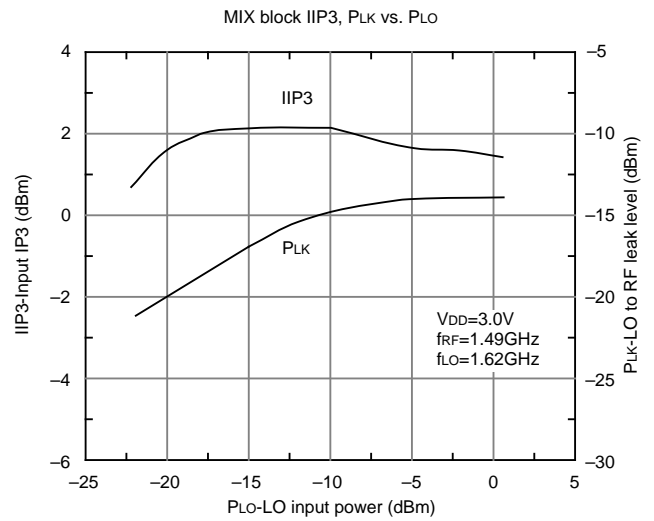
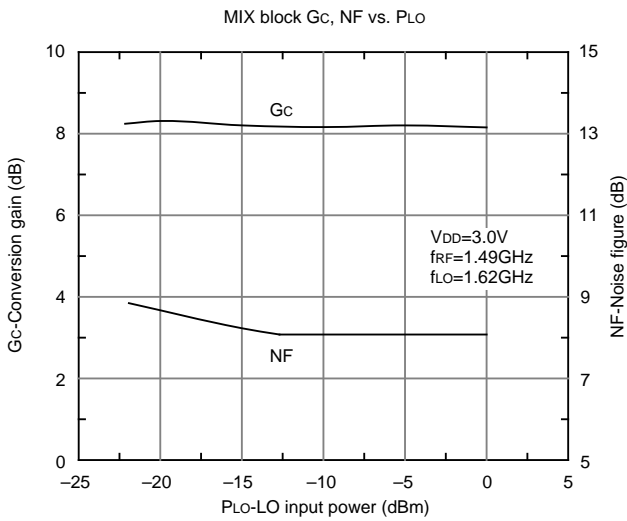
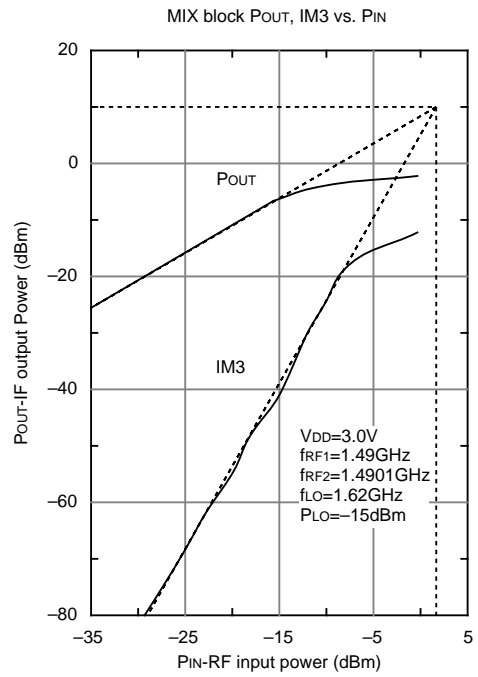
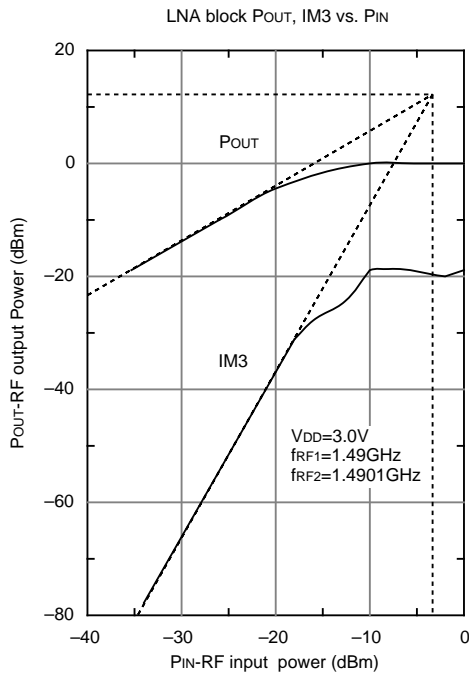


Back



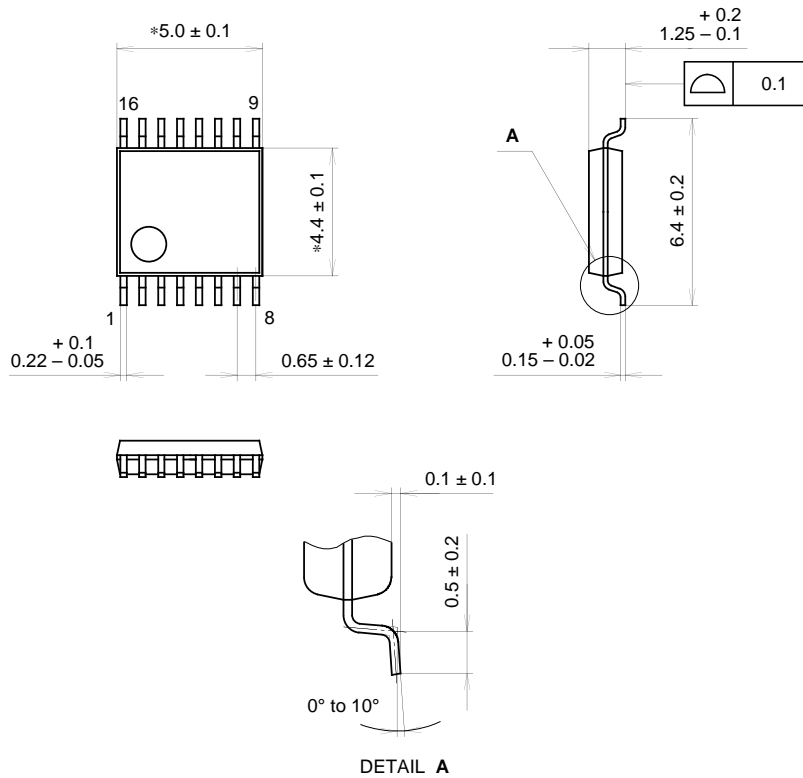
Glass fabric-base epoxy 4-layer board (2 × 0.3 mm thickness)
 GND for the 2nd and 3rd layers.

Example of Representative Characteristics (Ta=25 °C)



Package Outline Unit : mm

16PIN SSOP (PLASTIC)



NOTE: Dimension "*" does not include mold protrusion.

PACKAGE STRUCTURE

SONY CODE	SSOP-16P-L01
EIAJ CODE	SSOP016-P-0044
JEDEC CODE	_____

PACKAGE MATERIAL	EPOXY RESIN
LEAD TREATMENT	SOLDER / PALLADIUM PLATING
LEAD MATERIAL	COPPER / 42 ALLOY
PACKAGE WEIGHT	0.1g

NOTE : PALLADIUM PLATING

This product uses S-PdPPF (Sony Spec.-Palladium Pre-Plated Lead Frame).