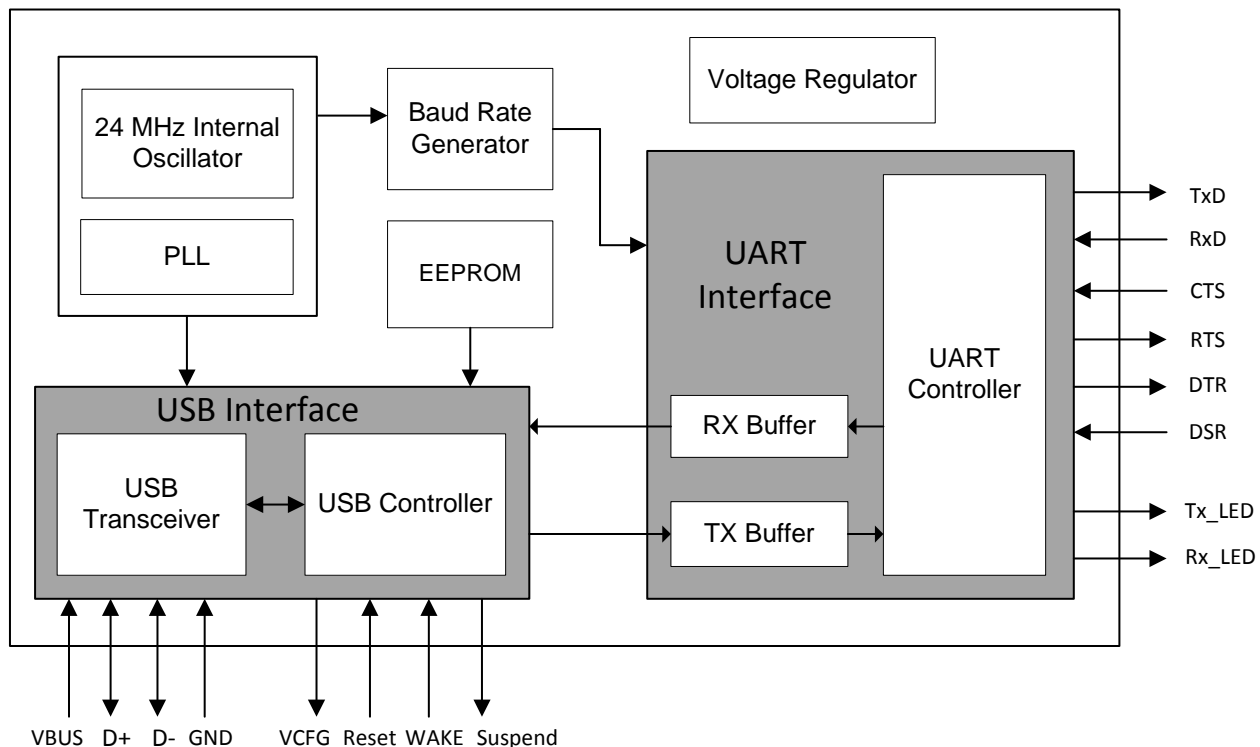


USB to UART Bridge Controller

Features

- USB 2.0 Full-Speed (12 Mbps) USB to UART controller
- No programming required
- Supports Bus/Self powered configurations
- Software enabled configurations for
 - VID / PID
 - Product string descriptor
 - Manufacturer string descriptor
 - Bus / Self powered
 - Remote wakeup
 - Power consumption
- Integrated 64-byte transmit and 64-byte receive buffer
- Integrated EEPROM, oscillator, USB termination resistors and regulator for low-cost designs
- Integrated EEPROM for saving device description and configuration.
- LED drivers to indicate activity on Transmit and Receive lines
- Modulated LED output to save power
- Automatic suspend mode for low power consumption
- USB Endpoints
 - 1 interrupt endpoint
 - 1 Bulk-in and 1 Bulk-out endpoint
- No external crystal required
- Universal Asynchronous Receiver / Transceiver (UART)
 - Data transfer rates of 300 to 115200 baud
 - Data format: 8 data bits, 1 stop bit, no parity
 - Software selectable handshaking. CTS, RTS, DTR, DSR
- Device Drivers
 - Works with existing PC applications that support COM port communications
 - Royalty free Virtual COM Port (VCP) driver
 - Windows 7 / Vista / XP / 2000
- Single Supply Operation
 - 3.15 to 3.5 V
 - 4.35 to 5.25 V for bus-powered low cost designs
- Commercial operating temperature range: 0 °C to +70 °C
- Available in 28-pin SSOP package

Block Diagram



Contents

Applications	3	DC Full-Speed USB Specifications	10
CY7C64225 Functional Overview	3	Ordering Information	11
Introduction	3	Ordering Code Definitions	11
Operational Details	3	Packaging Information	12
Configurations	3	Package Diagrams	12
Driver	3	Thermal Impedance	12
Pin Configuration	4	Solder Reflow Peak Temperature	12
28-pin part pinout Description	4	Acronyms	13
Application Diagram	5	Reference Documents	13
Application Circuits	6	Document Conventions	13
Bus Powered Design	6	Units of Measure	13
Bus Powered Design using External Regulator	7	Glossary	13
Self Powered Design	8	Document History Page	14
Absolute Maximum Ratings	9	Sales, Solutions, and Legal Information	14
Operating Temperature	9	Worldwide Sales and Design Support	14
DC Electrical Characteristics	10	Products	14
DC GPIO Specifications	10	PSoC Solutions	14

Applications

- USB to UART cables
- Enable USB connectivity in legacy peripherals with UART
- Point of Service (POS) terminal printers
- Industrial and Metering devices

CY7C64225 Functional Overview

Introduction

The CY7C64225 is a fully integrated USB-to-UART Bridge that provides a simple way of updating RS-232 based devices to USB with a minimal number of components. The CY7C64225 includes a USB 2.0 Full-Speed controller, a UART transceiver, internal regulator, internal oscillator and internal EEPROM in a 28-pin SSOP package.

The internal EEPROM can be used to program customer specific information for OEM applications. This is done in-system via USB.

Royalty free Virtual COM Port (VCP) device drivers are provided by Cypress Semiconductor. This allows the device to appear as a COM port to PC applications. All UART signals including the handshaking and control signals are implemented.

Operational Details

Suspend and Resume

An active low on Suspend (pin 3) indicates that the USB Bus is suspended. This is used to put the CY7C64225 and other external devices in low power mode. The device can resume normal operations if,

- Activity is detected on the USB
- Or reset signal is detected

WAKE

When the device is in suspend. If Remote wakeup is enabled then asserting this signal generates remote wakeup signaling on the upstream. If acknowledged by the host the device will resume normal operation.

Reset and Activity Indicators

A high assertion on the Reset (pin 6) resets the device.

Tx_LED (pin 2) and Rx_LED (pin 27) are active low and sink a maximum current of 25 mA.

VCFG

An active low on the VCFG (pin 26) indicates that the VBUS is detected and the device is configured.

VBUS

A 1 kΩ resistor in series is required with VBUS (pin 7). This pin is used for VBUS monitoring in self-power applications.

Asynchronous Serial Data Bus (UART) Interface

The UART Bus consists of TxD (transmit) and RxD (receive) lines in addition to software selectable handshaking using DSR, DTR, RTS, CTS.

Baud rates supported are: 300, 600, 1200, 1800, 2400, 4800, 7200, 9600, 14400, 19200, 28800, 38400, 56000, 57600 and 115200.

The baud rate is configured through the USB interface by the driver.

Configurations

The internal EEPROM may be used to customize the values shown in the table below.

Name	Default Value
VID / PID	0x04B4 / 0x0008
Manufacturer string descriptor	2011 Cypress Semiconductor
Product string descriptor	Cypress-USB2UART-0123456
Bus/Self Powered	Self
Remote Wakeup	Yes
Power Consumption	100 mA

A free configuration utility is provided to configure parameters in above table to meet application specific requirements.

Driver

PC software can access a CY7C64225 based device as a Virtual COM Port. However the actual data is transferred over the USB interface. This allows existing COM Port based applications to communicate via USB to a CY7C64225 device without requiring any changes to the software.

This serves the following purpose

- Add an extra UART port to the PC
- Add UART port to PCs without UART port
- Facilitate easy migration for systems which have a free USB port and need an additional UART port

Pin Configuration

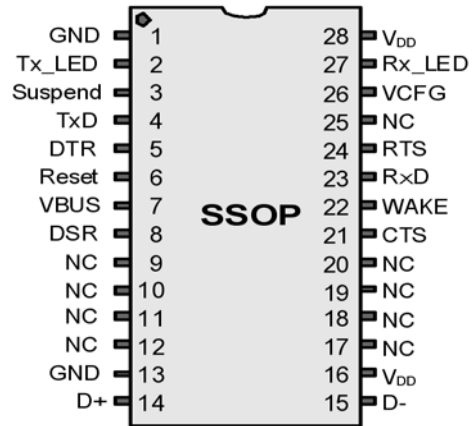
28-pin part pinout Description

The CY7C64225 USB-to-UART Bridge device is available in a 28-pin package that is listed and illustrated in the following table.

Table 1. 28-pin part pinout (SSOP)

Pin No.	Name	I/O	Description
1	GND	Power	Ground
2	Tx_LED	Output	Active low, UART Tx_LED, max current -20 mA
3	Suspend	Output	Active low indicates USB is suspended
4	TxD	Output	UART Data Transmit, Output
5	DTR	Output	Data Terminal Ready (DTR) Pin
6	Reset	Input	Active high on this pin resets the device
7	VBUS	Input	USB VBUS input. Used for VBUS monitoring. This pin requires a 1 kΩ resistor in series when connected to VBUS.
8	DSR	Input	Data Set Ready (DSR) pin
13	GND	Power	USB Ground
14	D+	USB	USB D+ Line
15	D-	USB	USB D- Line
16	V _{DD}	Power	Supply Voltage. 3.3 V or 5 V
21	CTS	Input	Clear to Send (CTS) input, handshake signal
22	WAKE	Input	Active high on this pin, generates remote wakeup on the Bus
23	RxD	Input	UART Data Receive, Input
24	RTS	Output	Request to Sent (RTS) output, handshake signal
26	VCFG	Output	Active low indicates VBUS is detected and device is configured
27	Rx_LED	Output	Active low, UART Rx_LED, max current -20 mA
28	V _{DD}	Power	Supply Voltage. 3.3 V or 5 V
9	NC	NC	No Connect
10	NC	NC	No Connect
11	NC	NC	No Connect
12	NC	NC	No Connect
17	NC	NC	No Connect
18	NC	NC	No Connect
19	NC	NC	No Connect
20	NC	NC	No Connect
25	NC	NC	No Connect

Figure 1. 28-pin SSOP USB-UART Bridge Device

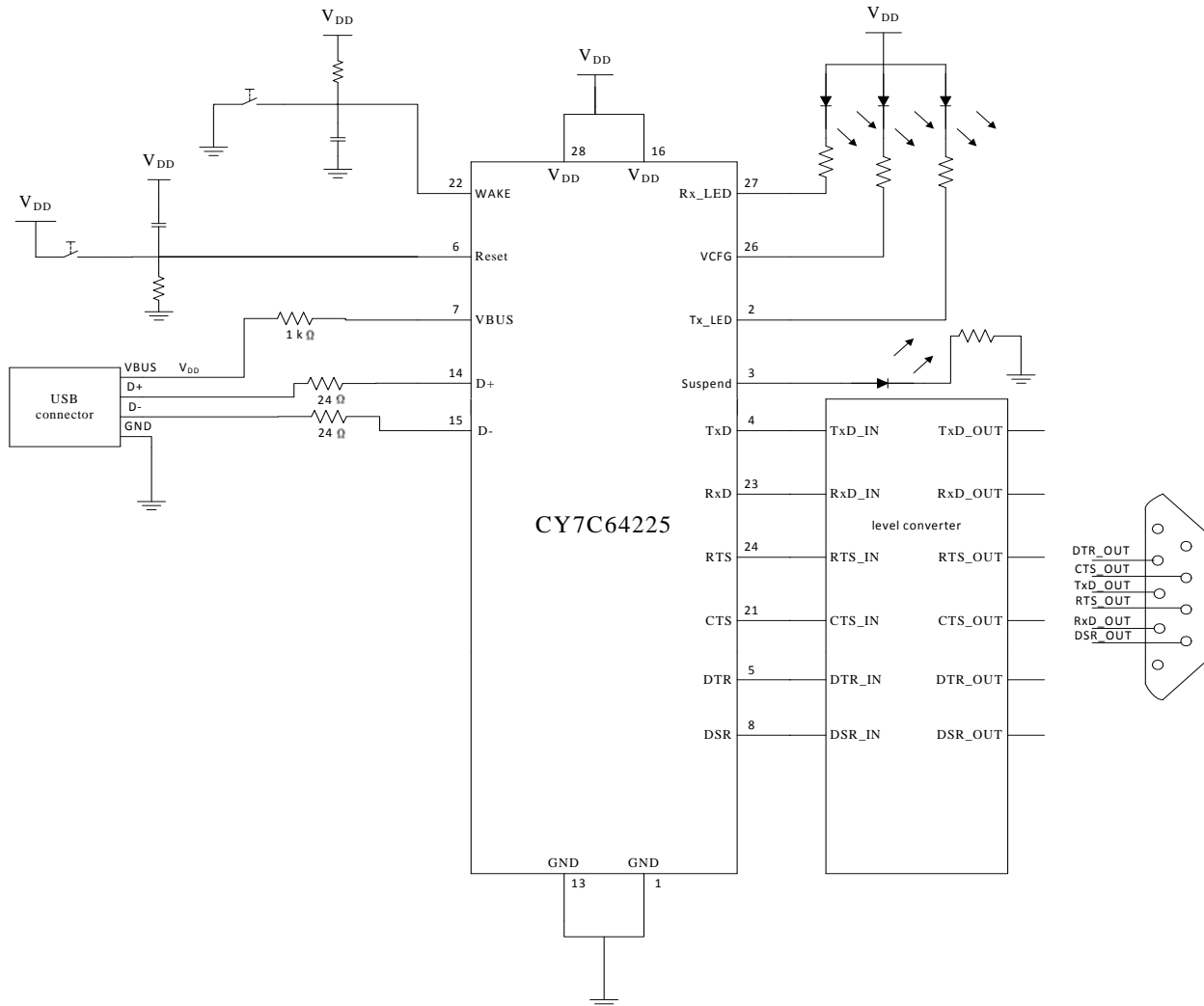


Application Diagram

The USB-to-UART bridge sits between an embedded system and a host PC/embedded host. The embedded system connects to the bridge through a standard UART. The PC connects to the bridge through the USB. From the perspective of the embedded system, the bridge presents a PC UART port. From the

perspective of the application software on the host PC, the bridge enumerates as a UART.

The following diagram provides systems connection diagram for CY7C64225.

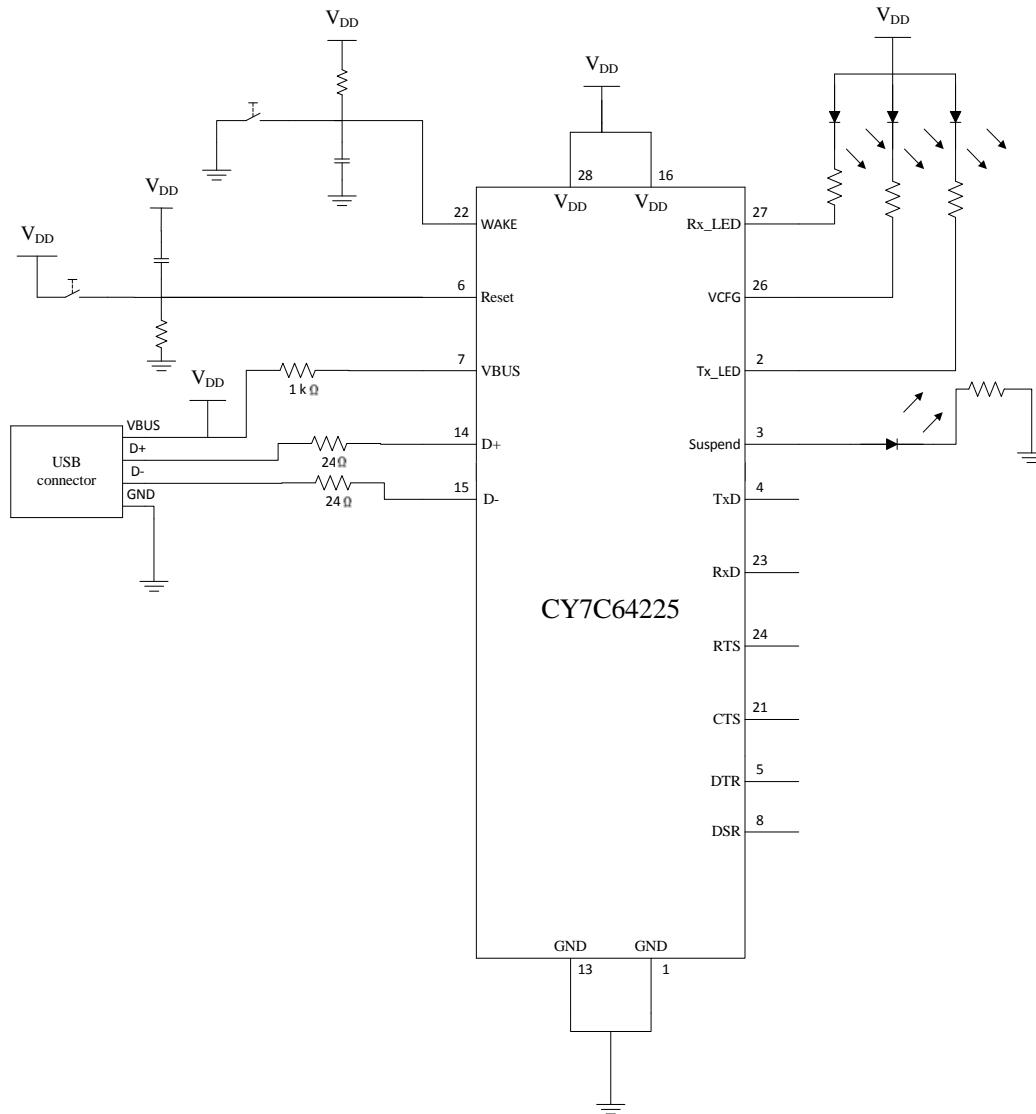


Application Circuits

The following diagrams illustrates typical application schematics circuits.

Bus Powered Design

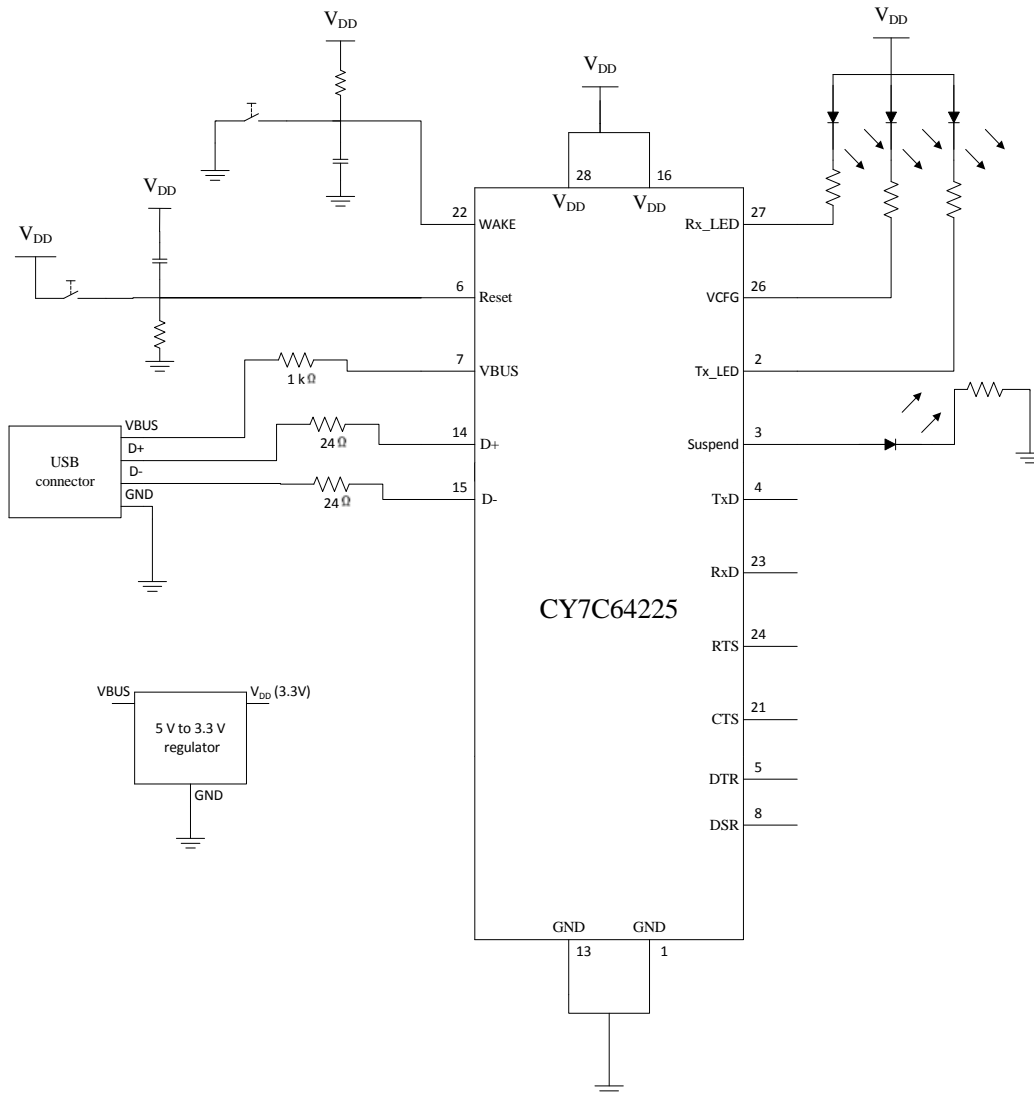
Diagram below provides example schematics to use CY7C64225 in bus powered design. The design uses the internal regulator hence it operates with VBUS as the single power supply.



Bus Powered Design using External Regulator

The following diagram provides example schematics to use CY7C64225 in bus powered design using an external regulator. The design has a 5 V (VBUS has range of 4.75 to 5.25) to 3.3 V regulator hence CY7C64225 uses the 3.3 V regulator output as

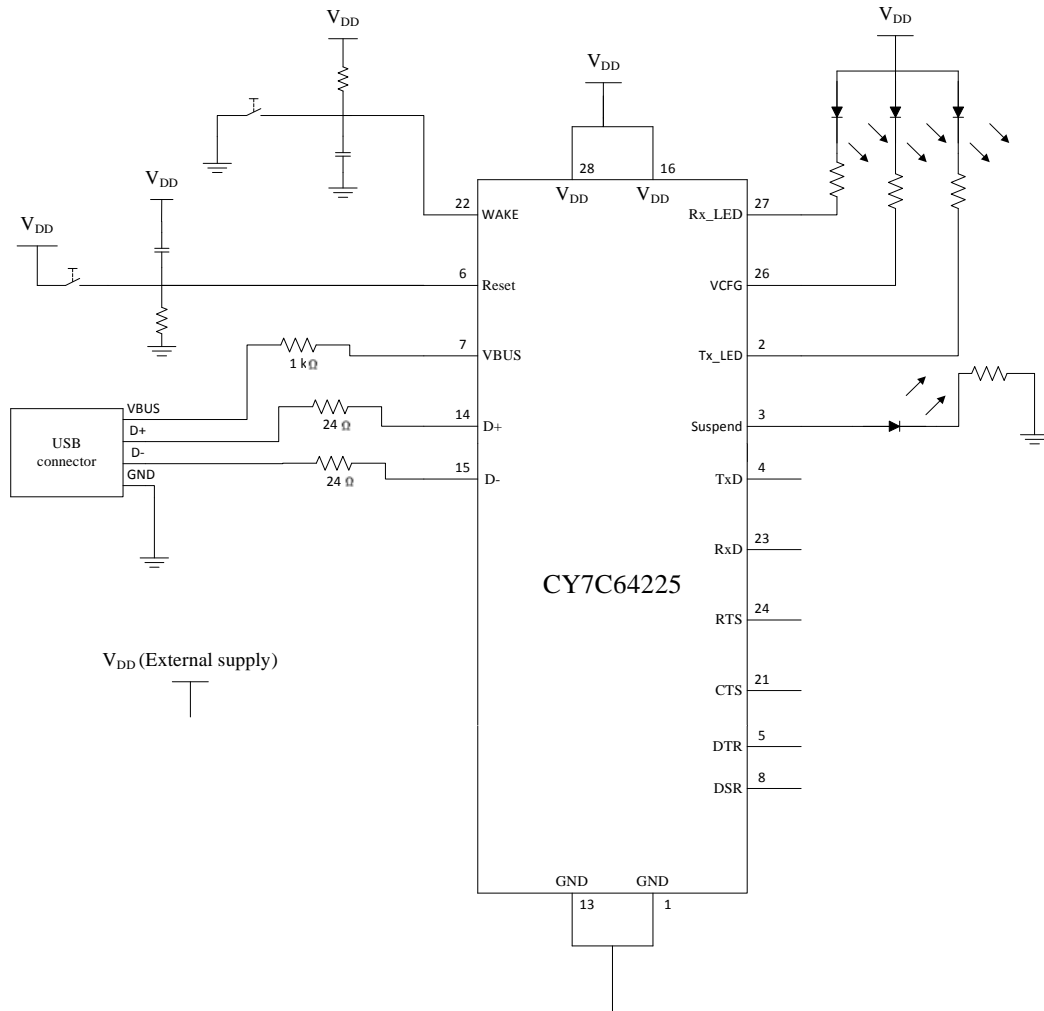
the single power supply. This is used in designs that already have a 3.3 V supply for other components on the board.



Self Powered Design

The following diagram provides example schematics to use CY7C64225 in self-powered design. Here the V_{DD} (5 V or 3.3 V) is obtained from an external power supply. This is used in

designs that already have a 5 V or 3.3 V onboard supply. In self-powered designs VBUS pin is used for VBUS monitoring.



Absolute Maximum Ratings

Table 2. Absolute Maximum Ratings

Parameter	Description	Min	Typ	Max	Unit	Notes
T _{STG}	Storage temperature	-55	-	+100	°C	Higher storage temperatures reduces data retention time.
T _{BAKETEMP}	Bake temperature	-	125	See package label	°C	-
T _{BAKETIME}	Bake time	See package label	-	72	Hours	-
T _A	Ambient temperature with power applied	0	-	+70	°C	-
V _{DD}	Supply voltage on V _{DD} relative to V _{SS}	-0.5	-	+6.0	V	-
V _{IO}	DC input voltage	V _{SS} - 0.5	-	V _{DD} + 0.5	V	-
I _{MIO}	Maximum current into any port pin	-25	-	+50	mA	-
ESD	Electrostatic discharge voltage	-	-	2000	V	Human body model ESD.
EEPROM _{ENPB}	EEPROM endurance (per block)	50,000 ^[1]	-	-	-	Erase/write cycles per block.
EEPROM _{ENT}	EEPROM endurance (total) ^[2]	1,800,000	-	-	-	Erase/write cycles.
EEPROM _{DR}	EEPROM data retention	10	-	-	Years	-

Operating Temperature

Table 3. Operating Temperature

Parameter	Description	Min	Typ	Max	Unit	Notes
T _{AC}	Commercial ambient temperature	0	-	+70	°C	-
T _J	Junction temperature	-40	-	+100	°C	The temperature rise from ambient to junction is package specific. See Thermal Impedance on page 12 . The user must limit the power consumption to comply with this requirement.

Notes

1. The 50,000 cycle EEPROM endurance per block will only be guaranteed if the EEPROM is operating within one voltage range. Voltage ranges are 3.0 V to 3.6 V and 4.75 V to 5.25 V.
2. A maximum of 36 x 50,000 block endurance cycles is allowed. This may be balanced between operations on 36x1 blocks of 50,000 maximum cycles each, 36x2 blocks of 25,000 maximum cycles each, or 36x4 blocks of 12,500 maximum cycles each (to limit the total number of cycles to 36x50,000 and that no single block ever sees more than 50,000 cycles).

DC Electrical Characteristics

DC GPIO Specifications

The following table lists guaranteed maximum and minimum specifications for the voltage and temperature ranges: 4.75 V to 5.25 V and $0\text{ }^{\circ}\text{C} \leq T_A \leq 70\text{ }^{\circ}\text{C}$, or 3.15 V to 3.5 V and $0\text{ }^{\circ}\text{C} \leq T_A \leq 70\text{ }^{\circ}\text{C}$, respectively. Typical parameters apply to 5 V and 3.3 V at 25 °C and are for design guidance only.

Table 4. DC GPIO Specifications

Parameter	Description	Min	Typ	Max	Unit	Notes
V _{OH}	High output level	V _{DD} - 1.0	–	–	V	I _{OH} = 10 mA, V _{DD} = 4.75 to 5.25 V
V _{OL}	Low output level	–	–	0.75	V	I _{OL} = 25 mA, V _{DD} = 4.75 to 5.25 V
I _{OH}	High-level source current	10	–	–	mA	–
I _{OL}	Low-level sink current	25	–	–	mA	–
V _{IL}	Input low level	–	–	0.8	V	V _{DD} = 3.15 to 5.25 V
V _{IH}	Input high level	2.1	–	–	V	V _{DD} = 3.15 to 5.25 V

DC Full-Speed USB Specifications

The following table lists guaranteed maximum and minimum specifications for the voltage and temperature ranges when the IMO is selected as system clock: 4.75 V to 5.25 V and $0\text{ }^{\circ}\text{C} \leq T_A \leq 70\text{ }^{\circ}\text{C}$, or 3.15 V to 3.5 V and $0\text{ }^{\circ}\text{C} \leq T_A \leq 70\text{ }^{\circ}\text{C}$, respectively. Typical parameters apply to 5 V and 3.3 V at 25 °C and are for design guidance only.

Table 5. DC Full Speed (12 Mbps) USB Specifications

Parameter	Description	Min	Typ	Max	Unit	Notes
USB Interface						
V _{DI}	Differential input sensitivity	0.2	–	–	V	(D+) – (D–)
V _{CM}	Differential input common mode range	0.8	–	2.5	V	–
V _{SE}	Single-ended receiver threshold	0.8	–	2.0	V	–
C _{IN}	Transceiver capacitance	–	–	20	pF	–
I _{IO}	High Z state data line leakage	–10	–	10	μA	0 V < V _{IN} < 3.3 V.
R _{EXT}	External USB series resistor	23	–	25	Ω	In series with each USB pin.
V _{UOH}	Static output high, driven	2.8	–	3.6	V	15 kΩ ± 5% to ground. Internal pull-up enabled.
V _{UOHI}	Static output high, idle	2.7	–	3.6	V	15 kΩ ± 5% to ground. Internal pull-up enabled.
V _{UOL}	Static output low	–	–	0.3	V	15 kΩ ± 5% to ground. Internal pull-up enabled.
Z _O	USB driver output impedance	28	–	44	Ω	Including R _{EXT} resistor.
V _{CRS}	D+/D– crossover voltage	1.3	–	2.0	V	–

DC Chip Level Specifications

The following table lists guaranteed maximum and minimum specifications for the voltage and temperature ranges when the IMO is selected as system clock: 4.75 V to 5.25 V and $0\text{ }^{\circ}\text{C} \leq T_A \leq 70\text{ }^{\circ}\text{C}$, or 3.15 V to 3.5 V and $0\text{ }^{\circ}\text{C} \leq T_A \leq 70\text{ }^{\circ}\text{C}$, respectively. Typical parameters apply to 5 V and 3.3 V at 25 °C and are for design guidance only.

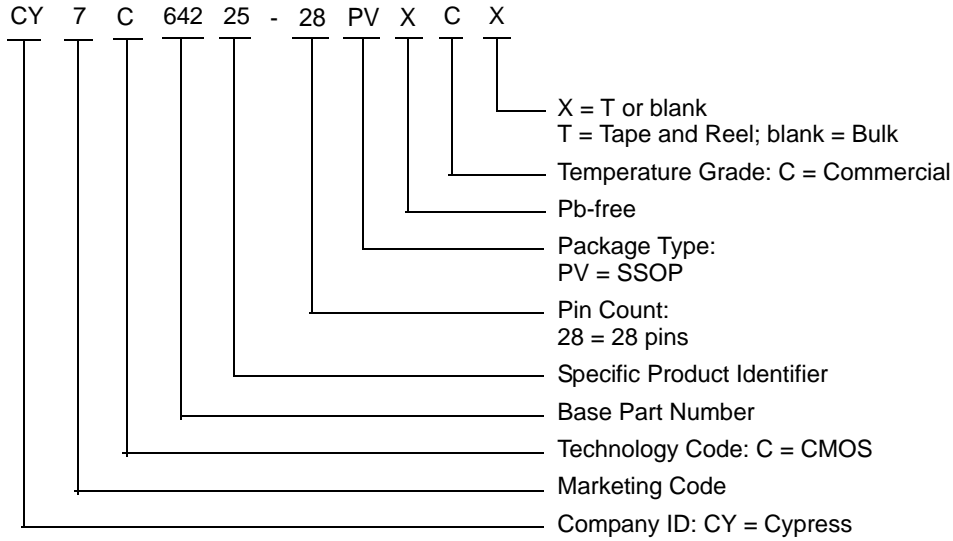
Table 6: DC Chip-Level Specifications

Parameter	Description	Min	Typ	Max	Unit	Notes
V _{DD}	Supply voltage	3.0	–	5.25	V	USB hardware is not functional when V _{DD} is between 3.5 V to 4.35 V
I _{DD5}	Supply current	–	14	27	mA	Conditions are V _{DD} = 5.0 V, T _A = 25 °C
I _{DD3}	Supply current	–	8	14	mA	Conditions are V _{DD} = 3.3 V, T _A = 25 °C
I _{SB}	Sleep (mode) current	–	3	6.5	μA	V _{DD} = 3.3 V, 0 °C ≤ T _A ≤ 55 °C
I _{SBH}	Sleep (mode) current at high temperature.	–	4	25	μA	V _{DD} = 3.3 V, 55 °C < T _A ≤ 70 °C
I _{susp1}	USB suspend current	–	232	345	μA	For 5 V operating voltage range
I _{susp2}	USB suspend current	–	207	258	μA	For 3.3 V operating voltage range

Ordering Information

Package	Ordering Code	Temperature Range
28-pin SSOP	CY7C64225-28PVXC	0 °C to 70 °C
28-pin SSOP (Tape and Reel)	CY7C64225-28PVXCT	0 °C to 70 °C

Ordering Code Definitions

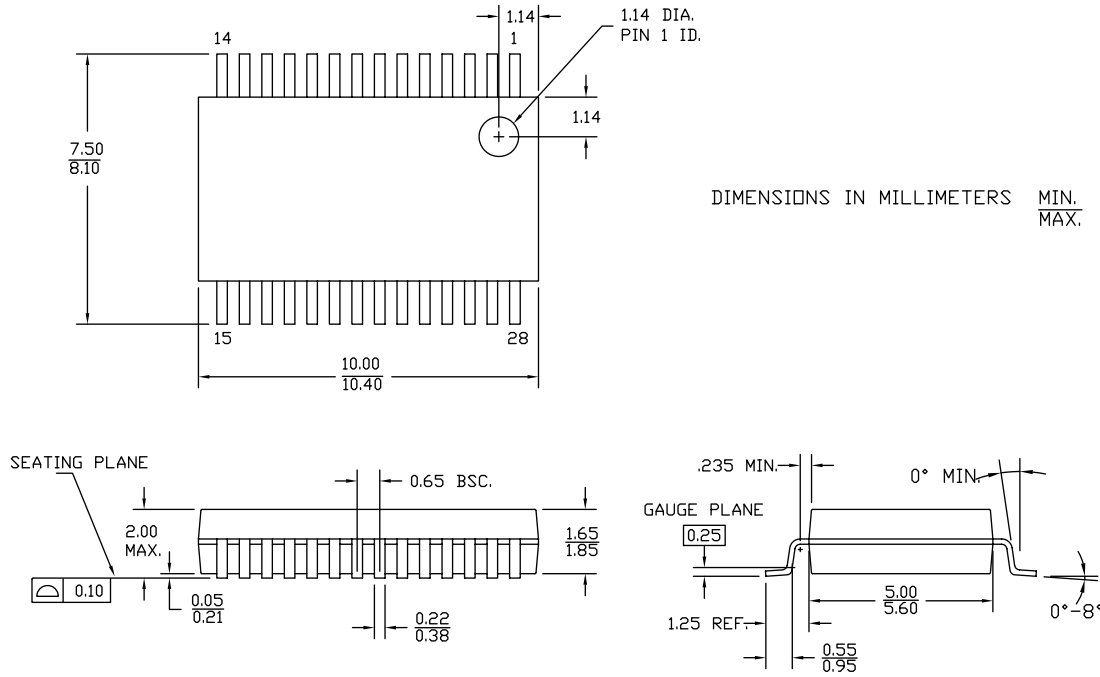


Packaging Information

This section illustrates the package specification for the CY7C64225, along with the thermal impedance for the package.

Package Diagrams

Figure 2. 28-pin SSOP (210 Mils) O28.21 Package Outline, 51-85079



51-85079 *E

Thermal Impedance

Table 7. Thermal Impedance for the Package

Package	Typical θ_{JA}
28-pin SSOP	96 °C/W

Note Assumes 2-layer PCB

Solder Reflow Peak Temperature

Following is the minimum solder reflow peak temperature to achieve good solderability.

Table 8. Solder Reflow Peak Temperature

Package	Maximum Peak Temperature	Time at Maximum Peak Temperature
28-pin SSOP	260 °C	20 s

Acronyms

The following table lists the acronyms used in this document.

Acronym	Description
DC	direct current
EEPROM	electrically erasable programmable read-only memory
GPIO	general purpose input/output
I/O	input/output
LED	light emitting diode
PC	personal computer
SSOP	shrink small outline package
UART	universal asynchronous receiver / transmitter
USB	universal serial bus

Reference Documents

USB 2.0 Specification

Document Conventions

Units of Measure

Symbol	Unit of Measure
°C	degree Celsius
kΩ	kilohm
μA	microampere
mA	milliampere
Ω	ohm
%	percent
s	second
V	volt
W	watt

Glossary

Asynchronous	A signal whose data is acknowledged or acted upon immediately, irrespective of any clock signal.
Buffer	<ol style="list-style-type: none"> 1. A storage area for data that is used to compensate for a speed difference, when transferring data from one device to another. Usually refers to an area reserved for I/O operations, into which data is read, or from which data is written. 2. A portion of memory set aside to store data, often before it is sent to an external device or as it is received from an external device. 3. An amplifier used to lower the output impedance of a system.
EEPROM	Electrically Erasable Programmable Read-Only Memory and is a type of non-volatile memory used to store small amounts of data that must be saved when power is removed.
Reset	An active high signal that is driven into the device. It causes all operations of the CPU to stop and return to a pre-defined state.
V _{DD}	A name for a power net meaning “voltage drain” The most positive power supply signal. Usually 5 V or 3.3 V.
V _{SS}	A name for a power net meaning “voltage source” The most negative power supply signal.
Virtual COM Port	A USB virtual COM port is a software interface that enables applications to access a USB device as if it were a built-in serial port. Many USB virtual COM-port devices function as bridges that convert between USB and RS-232 or other asynchronous serial interfaces.
UART	A UART or universal asynchronous receiver-transmitter translates between parallel bits of data and serial bits.

Document History Page

Document Title: CY7C64225, USB to UART Bridge Controller Document Number: 001-76294				
Rev.	ECN No.	Submission Date	Orig. of Change	Description of Change
**	3533464	02/23/2012	HBM	New datasheet.
*A	3571321	05/15/2012	AASI	Added Application Circuit Diagrams. Minor content edits to add clarity. Updated DC Chip Level Specifications and Table 6 .

Sales, Solutions, and Legal Information

Worldwide Sales and Design Support

Cypress maintains a worldwide network of offices, solution centers, manufacturer’s representatives, and distributors. To find the office closest to you, visit us at [Cypress Locations](#).

Products

Automotive	cypress.com/go/automotive
Clocks & Buffers	cypress.com/go/clocks
Interface	cypress.com/go/interface
Lighting & Power Control	cypress.com/go/powerpsoc cypress.com/go/plc
Memory	cypress.com/go/memory
Optical & Image Sensing	cypress.com/go/image
PSoC	cypress.com/go/psoc
Touch Sensing	cypress.com/go/touch
USB Controllers	cypress.com/go/USB
Wireless/RF	cypress.com/go/wireless

PSoC Solutions

psoc.cypress.com/solutions
[PSoC 1](#) | [PSoC 3](#) | [PSoC 5](#)

© Cypress Semiconductor Corporation, 2012. The information contained herein is subject to change without notice. Cypress Semiconductor Corporation assumes no responsibility for the use of any circuitry other than circuitry embodied in a Cypress product. Nor does it convey or imply any license under patent or other rights. Cypress products are not warranted nor intended to be used for medical, life support, life saving, critical control or safety applications, unless pursuant to an express written agreement with Cypress. Furthermore, Cypress does not authorize its products for use as critical components in life-support systems where a malfunction or failure may reasonably be expected to result in significant injury to the user. The inclusion of Cypress products in life-support systems application implies that the manufacturer assumes all risk of such use and in doing so indemnifies Cypress against all charges.

Any Source Code (software and/or firmware) is owned by Cypress Semiconductor Corporation (Cypress) and is protected by and subject to worldwide patent protection (United States and foreign), United States copyright laws and international treaty provisions. Cypress hereby grants to licensee a personal, non-exclusive, non-transferable license to copy, use, modify, create derivative works of, and compile the Cypress Source Code and derivative works for the sole purpose of creating custom software and or firmware in support of licensee product to be used only in conjunction with a Cypress integrated circuit as specified in the applicable agreement. Any reproduction, modification, translation, compilation, or representation of this Source Code except as specified above is prohibited without the express written permission of Cypress.

Disclaimer: CYPRESS MAKES NO WARRANTY OF ANY KIND, EXPRESS OR IMPLIED, WITH REGARD TO THIS MATERIAL, INCLUDING, BUT NOT LIMITED TO, THE IMPLIED WARRANTIES OF MERCHANTABILITY AND FITNESS FOR A PARTICULAR PURPOSE. Cypress reserves the right to make changes without further notice to the materials described herein. Cypress does not assume any liability arising out of the application or use of any product or circuit described herein. Cypress does not authorize its products for use as critical components in life-support systems where a malfunction or failure may reasonably be expected to result in significant injury to the user. The inclusion of Cypress’ product in a life-support systems application implies that the manufacturer assumes all risk of such use and in doing so indemnifies Cypress against all charges.

Use may be limited by and subject to the applicable Cypress software license agreement.