

## 144-Mbit Programmable Multi-Queue FIFOs

### Features

- Memory organization
  - Industry's largest first in first out (FIFO) memory densities: 144-Mbit
  - Selectable memory organization:  $\times 9$ ,  $\times 12$ ,  $\times 16$ ,  $\times 18$ ,  $\times 20$ ,  $\times 24$ ,  $\times 32$ ,  $\times 36$
- Up to 100-MHz clock operation
- Unidirectional operation
- Independent read and write ports
  - Supports simultaneous read and write operations
  - Reads and writes operate on independent clocks, up to a maximum ratio of two, enabling data buffering across clock domains.
  - Supports multiple I/O voltage standard: Low voltage complementary metal oxide semiconductor (LVCMOS) 3.3 V and 1.8 V voltage standards.
- Input and output enable control for write mask and read skip operations
- User configured multi-queue operating mode upto 8-queues
- Mark and retransmit: resets read pointer to user marked position
- Empty and full flags
- Flow-through mailbox register to send data from input to output port, bypassing the FIFO sequence
- Separate serial clock (SCLK) input for serial programming
- Master reset to clear entire FIFO
- Joint test action group (JTAG) port provided for boundary scan function
- Industrial temperature range:  $-40\text{ }^{\circ}\text{C}$  to  $+85\text{ }^{\circ}\text{C}$

### Functional Description

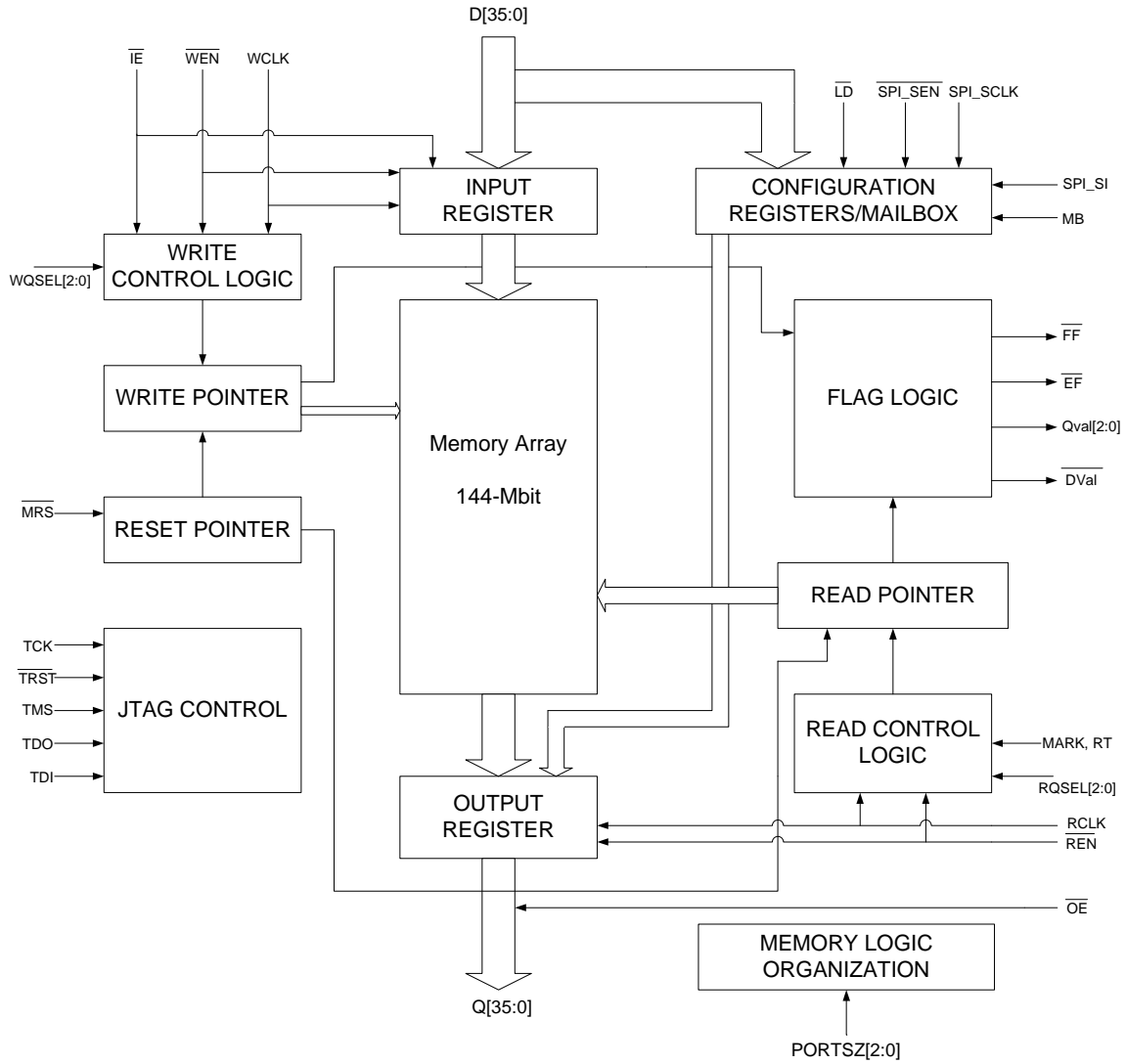
The Cypress programmable FIFO family offers the industry's highest-density programmable FIFO memory device. It has independent read and write ports, which can be clocked up to 100 MHz. User can configure input and output bus sizes. The maximum bus size of 36 bits enables a maximum data throughput of 3.6 Gbps. The read and write ports can support multiple I/O voltage standards. The user-programmable registers enable user to configure the device operation as desired. The device also offers a simple and easy-to-use interface to reduce implementation and debugging efforts, improve time-to-market, and reduce engineering costs. This makes it an ideal memory choice for a wide range of applications including multiprocessor interfaces, video and image processing, networking and telecommunications, high-speed data acquisition, or any system that needs buffering at very high speeds across different clock domains.

As implied by the name, the functionality of the FIFO is such that the data is read out of the read port in the same sequence in which it was written into the write port. The data is sequentially written into the FIFO from the write port. If the writes and inputs are enabled, the data on the write port gets written into the device at the rising edge of the write clock. Enabling the reads and outputs fetches data on the read port at every rising edge of the read clock. Both reads and writes can occur simultaneously at different speeds provided the ratio of read to write clock is in the range of 0.5 to 2. Appropriate flags are set whenever the FIFO is empty or full.

The device also supports multi-queue operation upto 8 queues, mark and retransmit of data, and a flow-through mailbox register.

All descriptions are given assuming the device CYF2144V is operated in  $\times 36$  mode. They hold good for all port sizes  $\times 9$ ,  $\times 12$ ,  $\times 16$ ,  $\times 18$ ,  $\times 20$ ,  $\times 24$  and  $\times 32$  unless otherwise specified. The only difference will be in the input and output bus width. [Table 1 on page 8](#) shows the part of bus with valid data from D[35:0] and Q[35:0] in  $\times 9$ ,  $\times 12$ ,  $\times 16$ ,  $\times 18$ ,  $\times 20$ ,  $\times 24$ ,  $\times 32$  and  $\times 36$  modes.

**Logic Block Diagram**



**Contents**

<b>Pin Diagram for CYF2XXXVXXL</b> .....	<b>4</b>	<b>Operating Range</b> .....	<b>14</b>
<b>Pin Definitions</b> .....	<b>5</b>	<b>Recommended DC Operating Conditions</b> .....	<b>14</b>
<b>Architecture</b> .....	<b>7</b>	<b>Electrical Characteristics</b> .....	<b>14</b>
Reset Logic .....	7	<b>I/O Characteristics</b> .....	<b>15</b>
Flag Operation .....	7	<b>Latency Table</b> .....	<b>15</b>
Full Flag .....	7	<b>AC Test Load Conditions</b> .....	<b>16</b>
Empty Flag .....	7	<b>Switching Characteristics</b> .....	<b>17</b>
Retransmit from Mark Operation .....	7	<b>Switching Waveforms</b> .....	<b>18</b>
Flow-through mailbox Register .....	7	<b>Ordering Information</b> .....	<b>27</b>
Selecting Word Sizes .....	7	Ordering Code Definitions .....	27
Data Valid Signal (DVal) .....	8	<b>Package Diagram</b> .....	<b>28</b>
Queue Valid Signal (QVal[2:0]) .....	8	<b>Acronyms</b> .....	<b>29</b>
<b>Power Up</b> .....	<b>8</b>	<b>Document Conventions</b> .....	<b>29</b>
Write Mask and Read Skip Operation .....	9	Units of Measure .....	29
Multi-Queue Operation .....	9	<b>Document History Page</b> .....	<b>30</b>
Width Expansion Configuration .....	11	<b>Sales, Solutions, and Legal Information</b> .....	<b>31</b>
Memory Organization for Different Port Sizes .....	11	Worldwide Sales and Design Support .....	31
Read/Write Clock Requirements .....	12	Products .....	31
<b>JTAG operation</b> .....	<b>13</b>	PSoC Solutions .....	31
<b>Maximum Ratings</b> .....	<b>14</b>		

**Pin Diagram for CYF2XXXVXXL**

**Figure 1. 209-ball FBGA (Top View)**

	1	2	3	4	5	6	7	8	9	10	11
A	$\overline{FF}$	D0	D1	WQSEL0	PORTSZ0	PORTSZ1	DNU	RQSEL0	RT	Q0	Q1
B	$\overline{EF}$	D2	D3	WQSEL1	DNU	PORTSZ2	DNU	RQSEL1	$\overline{REN}$	Q2	Q3
C	D4	D5	$\overline{WEN}$	WQSEL2	V <sub>CC1</sub>	DNU	V <sub>CC1</sub>	RQSEL2	RCLK	Q4	Q5
D	D6	D7	V <sub>SS</sub>	V <sub>CC1</sub>	DNU	$\overline{LD}$	DNU	V <sub>CC1</sub>	V <sub>SS</sub>	Q6	Q7
E	D8	D9	V <sub>CC2</sub>	V <sub>CC2</sub>	V <sub>CCIO</sub>	V <sub>CCIO</sub>	V <sub>CCIO</sub>	V <sub>CC2</sub>	V <sub>CC2</sub>	Q8	Q9
F	D10	D11	V <sub>SS</sub>	V <sub>SS</sub>	V <sub>SS</sub>	DNU	V <sub>SS</sub>	V <sub>SS</sub>	V <sub>SS</sub>	Q10	Q11
G	D12	D13	V <sub>CC2</sub>	V <sub>CC2</sub>	V <sub>CCIO</sub>	V <sub>CC1</sub>	V <sub>CCIO</sub>	V <sub>CC2</sub>	V <sub>CC2</sub>	Q12	Q13
H	D14	D15	V <sub>SS</sub>	V <sub>SS</sub>	V <sub>SS</sub>	V <sub>CC1</sub>	V <sub>SS</sub>	V <sub>SS</sub>	V <sub>SS</sub>	Q14	Q15
J	D16	D17	V <sub>CC2</sub>	V <sub>CC2</sub>	V <sub>CCIO</sub>	V <sub>CC1</sub>	V <sub>CCIO</sub>	V <sub>CC2</sub>	V <sub>CC2</sub>	Q16	Q17
K	DNU	DNU	WCLK	DNU	V <sub>SS</sub>	$\overline{IE}$	V <sub>SS</sub>	DNU	V <sub>CCIO</sub>	V <sub>CCIO</sub>	V <sub>CCIO</sub>
L	D18	D19	V <sub>CC2</sub>	V <sub>CC2</sub>	V <sub>CCIO</sub>	V <sub>CC1</sub>	V <sub>CCIO</sub>	V <sub>CC2</sub>	V <sub>CC2</sub>	Q18	Q19
M	D20	D21	V <sub>SS</sub>	V <sub>SS</sub>	V <sub>SS</sub>	V <sub>CC1</sub>	V <sub>SS</sub>	V <sub>SS</sub>	V <sub>SS</sub>	Q20	Q21
N	D22	D23	V <sub>CC2</sub>	V <sub>CC2</sub>	V <sub>CCIO</sub>	V <sub>CC1</sub>	V <sub>CCIO</sub>	V <sub>CC2</sub>	V <sub>CC2</sub>	Q22	Q23
P	D24	D25	V <sub>SS</sub>	V <sub>SS</sub>	V <sub>SS</sub>	$\overline{SPI\_SEN}$	V <sub>SS</sub>	V <sub>SS</sub>	V <sub>SS</sub>	Q24	Q25
R	D26	D27	V <sub>CC2</sub>	V <sub>CC2</sub>	V <sub>CCIO</sub>	V <sub>CCIO</sub>	V <sub>CCIO</sub>	V <sub>CC2</sub>	V <sub>CC2</sub>	Q26	Q27
T	D28	D29	V <sub>SS</sub>	V <sub>CC1</sub>	V <sub>CC1</sub>	SPI_SI	V <sub>CC1</sub>	V <sub>CC1</sub>	V <sub>SS</sub>	Q28	Q29
U	$\overline{DVal}$	DNU	D30	D31	DNU	DNU <sup>[1]</sup>	SPI_SCLK	V <sub>REF</sub>	$\overline{OE}$	Q30	Q31
V	QVal1	QVal0	D32	D33	DNU	$\overline{MRS}$	MB	DNU	MARK	Q32	Q33
W	TDO	QVal2	D34	D35	TDI	$\overline{TRST}$	TMS	TCK	DNU	Q34	Q35

**Note**

1. This pin should be tied to V<sub>SS</sub> preferably or can be left floating to ensure normal operation.

**Pin Definitions**

Pin Name	I/O	Pin Description
D[35:0]	Input	Data inputs: Data inputs for a 36-bit bus.
Q[35:0]	Output	Data outputs: Data outputs for a 36-bit bus.
$\overline{WEN}$	Input	Write enable: $\overline{WEN}$ enables WCLK to write data into the FIFO memory and configuration registers.
$\overline{REN}$	Input	Read enable: $\overline{REN}$ enables RCLK to read data from the FIFO memory and configuration registers.
$\overline{IE}$	Input	Input enable: $\overline{IE}$ is the data input enable signal that controls the enabling and disabling of the 36-bit data input pins. If it is enabled, data on the D[35:0] pins is written into the FIFO. The internal write address pointer is always incremented at rising edge of WCLK if $\overline{WEN}$ is enabled, regardless of the $\overline{IE}$ level. This is used for 'write masking' or incrementing the write pointer without writing into a location.
$\overline{OE}$	Input	Output enable: When $\overline{OE}$ is LOW, FIFO data outputs are enabled; when $\overline{OE}$ is HIGH, the FIFO's outputs are in High Z (high impedance) state.
WCLK	Input	Write clock: When enabled by $\overline{WEN}$ , the rising edge of WCLK writes data into the FIFO if $\overline{LD}$ is high and into the configuration registers if LD is low.
RCLK	Input	Read clock: When enabled by $\overline{REN}$ , the rising edge of RCLK reads data from the FIFO memory if $\overline{LD}$ is high and from the configuration registers if LD is low.
$\overline{EF}$	Output	Empty flag: When $\overline{EF}$ is LOW, the Queue is empty. $\overline{EF}$ is synchronized to RCLK.
$\overline{FF}$	Output	Full flag: When $\overline{FF}$ is LOW, the Queue is full. $\overline{FF}$ is synchronized to WCLK.
$\overline{LD}$	Input	Load: When $\overline{LD}$ is LOW, D[7:0] (Q[7:0]) are written (read) into (from) the configuration registers. When LD is HIGH, D[35:0] (Q[35:0]) are written (read) into (from) the FIFO.
RT	Input	Retransmit: A HIGH pulse on RT resets the internal read pointer to a physical location of the FIFO which is marked by the user (using MARK pin). With every valid read cycle after retransmit, previously accessed data is read and the read pointer is incremented until it is equal to the write pointer.
$\overline{MRS}$	Input	Master reset: $\overline{MRS}$ initializes the read and write pointers to zero and sets the output register to all zeroes. During Master Reset, the configuration registers are all set to default values and the flags are reset.
SPI_SCLK	Input	Serial clock: A rising edge on SPI_SCLK clocks the serial data present on the SPI_SI input into the offset registers if SPI_SEN is enabled.
SPI_SI	Input	Serial input: Serial input when $\overline{SPI\_SEN}$ is enabled.
$\overline{SPI\_SEN}$	Input	Serial enable: Enables serial loading of configuration registers.
MARK	Input	Mark for retransmit: When this pin is asserted the current location of the read pointer is marked. Any subsequent retransmit operation resets the read pointer to this position.
MB	Input	Mailbox: When asserted the reads and writes happen to flow-through mailbox register.
WQSEL[2:0]	Input	Write Queue select: Select maximum eight Queues using pins.
RQSEL[2:0]	Input	Read Queue select: Select maximum eight Queues using pins.
TCK	Input	Test clock (TCK) pin for JTAG.
$\overline{TRST}$	Input	Reset pin for JTAG.
TMS	Input	Test mode select (TMS) pin for JTAG.
TDI	Input	Test data in (TDI) pin for JTAG.
TDO	Output	Test data out (TDO) for JTAG.
$\overline{DVal}$	Output	Data valid: Active low data valid signal to indicate valid data on Q[35:0].

**Pin Definitions** (continued)

Pin Name	I/O	Pin Description
QVal[2:0]		Queue valid : Bus along with <u>DVal</u> indicating the Queue for which data is being read out on Q[35:0] <u>DVal</u> = 0 and QVal = 000 valid data read out from Queue-0 on Q[35:0] <u>DVal</u> = 0 and QVal = 001 valid data read out from Queue-1 on Q[35:0] <u>DVal</u> = 0 and QVal = 010 valid data read out from Queue-2 on Q[35:0] <u>DVal</u> = 0 and QVal = 011 valid data read out from Queue-3 on Q[35:0] <u>DVal</u> = 0 and QVal = 100 valid data read out from Queue-4 on Q[35:0] <u>DVal</u> = 0 and QVal = 101 valid data read out from Queue-5 on Q[35:0] <u>DVal</u> = 0 and QVal = 110 valid data read out from Queue-6 on Q[35:0] <u>DVal</u> = 0 and QVal = 111 valid data read out from Queue-7 on Q[35:0]
PORTSZ [2:0]	Input	Port word size select: Port word width select pins (common for read and write ports).
V <sub>CC1</sub>	Power Supply	Core voltage supply 1: 1.8 V supply voltage
V <sub>CC2</sub>	Power Supply	Core voltage supply 2: 1.5 V supply voltage
V <sub>CCIO</sub>	Power Supply	Supply for I/Os
V <sub>REF</sub>	Input Reference	Reference voltage: Reference voltage (regardless of I/O standard used)
V <sub>SS</sub>	Ground	Ground
DNU	–	Do not use: These pins need to be left floating.

## Architecture

The CYF2144V has a memory array of 144-Mbit respectively. The memory organization is user configurable and word sizes can be selected as  $\times 9$ ,  $\times 12$ ,  $\times 16$ ,  $\times 18$ ,  $\times 20$ ,  $\times 24$ ,  $\times 32$ , or  $\times 36$ . The logic blocks to implement FIFO functionality and the associated features are built around these memory arrays.

The input and output data buses have a maximum width of 36 bits configurable through PORTSZ[2:0]. The input data bus goes to an input register and the data flow from the input register to the memory is controlled by the write logic block. The inputs to the write logic block are WCLK,  $\overline{WEN}$ ,  $\overline{IE}$ , and WQSEL[2:0]. When the writes are enabled through  $\overline{WEN}$  and if the inputs are enabled by  $\overline{IE}$ , then the data on the input bus is written into the memory array at the rising edge of WCLK. This also increments the write pointer. Enabling writes but disabling the data input pins through  $\overline{IE}$  only increments the write pointer without doing any writes or altering the contents of the location. WQSEL[2:0] selects the Queue in which the write should occur.

Similarly, the output register is connected to the data output bus. Transfer of contents from the memory to the output register is controlled by the read control logic. The inputs to the read control logic include RCLK,  $\overline{REN}$ ,  $\overline{OE}$ , RQSEL[2:0], MARK and RT. When reads are enabled by  $\overline{REN}$  and outputs are enabled through  $\overline{OE}$ , the data from the memory pointed by the read pointer is transferred to the output data bus at the rising edge of RCLK along with active low  $\overline{DVal}$ . Qval[2:0] indicates the Queue number for which the read data belongs to. If the outputs are disabled but the reads enabled, the outputs are in high impedance state, but internally the read pointer is incremented. RQSEL[2:0] selects the Queue from which the read occurs. The MARK signal is used to 'mark' the location from which data is retransmitted when requested.

During write operation, the number of writes performed is always an even number (i.e., minimum write burst length is two and number of writes always a multiple of two). Whereas during read operation, the number of reads performed can be even or odd (i.e., minimum read burst length is one).

By default, the FIFO is accessed as a single Queue device. It is possible to divide the whole memory space into 2, 4 or 8 equal sized arrays. For more explanation please refer to [Multi-Queue Operation on page 9](#).

## Reset Logic

The Master Reset ( $\overline{MRS}$ ) initializes the read and write pointers to zero, sets the output registers to zero and sets the status of the flags to  $\overline{FF}$  deasserted and  $\overline{EF}$  asserted.  $\overline{MRS}$  also resets the configuration register and the mark address to their default values.  $\overline{MRS}$  configures the device into single Queue mode. A  $\overline{MRS}$  is required after power up before accessing the FIFO. After  $\overline{MRS}$ , a minimum latency of 1024 clocks is necessary before the first access. The word size is configured through pins; values of the three PORTSZ pins are latched on rising edge of  $\overline{MRS}$ . After  $\overline{MRS}$ , the device is configured in single Queue mode by default.

## Flag Operation

This device provides two flag pins to indicate the condition of the FIFO contents.

## Full Flag

The Full Flag ( $\overline{FF}$ ) goes LOW when the device is full. All write operations are inhibited whenever  $\overline{FF}$  is LOW regardless of the state of  $\overline{WEN}$ .  $\overline{FF}$  is synchronized to WCLK, that is, it is exclusively updated by each rising edge of WCLK. The worst case assertion latency for Full Flag is four. As the user cannot know that the FIFO is full for four clock cycles, it is possible that user continues writing data during this time. In this case, the four data words written will be stored to prevent data loss and these words have to be read back in order for full flag to get de-asserted. In 2Q/4Q/8Q mode,  $\overline{FF}$  indicates the status of the Queue selected by WQSEL[2:0]. The minimum number of reads required to de-assert full-flag is two and the maximum number of reads required to de-assert full flag is six. The assertion and de-assertion of Full flag with associated latencies is explained in [Latency Table on page 15](#).

## Empty Flag

The Empty Flag ( $\overline{EF}$ ) goes LOW when the device is empty. All read operations are ignored whenever  $\overline{EF}$  is LOW, regardless of the state of  $\overline{REN}$ .  $\overline{EF}$  is synchronized to RCLK, i.e., it is exclusively updated by each rising edge of RCLK. In 2Q/4Q/8Q mode,  $\overline{EF}$  indicates the status of the Queue selected by RQSEL[2:0]. The assertion and de-assertion of empty flag with associated latencies is explained in [Latency Table on page 15](#).

## Retransmit from Mark Operation

The retransmit feature is useful for transferring packets of data repeatedly. It enables the receipt of data to be acknowledged by the receiver and retransmitted if necessary. The retransmit feature is used when the number of writes equal to or less than the depth of the FIFO has occurred – and at least one word has been read since the last reset cycle. A HIGH pulse on RT resets the internal read pointer to a physical location of the FIFO that is marked by the user (using the MARK pin). In multi-Queue mode the MARK and RT signals are validated with RQSEL[2:0], i.e., Mark or Retransmit function will be performed for the Queue that is selected by RQSEL[2:0]. With every valid read cycle after retransmit, previously accessed data is read and the read pointer is incremented until it is equal to the write pointer. Flags are governed by the relative locations of the read and write pointers and are updated during a retransmit cycle. Data written to FIFO after activation of RT are also transmitted. The full depth of the FIFO can be repeatedly retransmitted.

To mark a location, the Mark pin is asserted when reading that particular location.

## Flow-through mailbox Register

This feature transfers data from input to output directly by bypassing the FIFO sequence. When MB signal is asserted the data present in D[35:0] will be available at Q[35:0] after two WCLK cycles. Normal read and write operations are not allowed during flow-through mailbox operation. Before starting Flow-through mailbox operation FIFO read should be completed to make data valid ( $\overline{DVal}$ ) high in order to avoid data loss from FIFO. The width of flow-through mailbox register always corresponds to port size.

## Selecting Word Sizes

The word sizes are configured based on the logic levels on the PORTSZ pins during the master reset ( $\overline{MRS}$ ) cycle only (latched

on low to high edge). The port size cannot be changed during normal mode of operation and these pins are ignored. If word size is less than  $\times 36$ , the unused output pins are tri-stated by the device, and unused input pins will be ignored by the internal logic. The pins with valid data input D[N:0] and output Q[N:0] is given in Table 1.

**Data Valid Signal ( $\overline{DVal}$ )**

Data valid ( $\overline{DVal}$ ) is an active low signal and is provided for easy capture of output data to the user. When a read operation is performed, the  $\overline{DVal}$  signal goes low along with output data. This helps user to capture the data without keeping track of  $\overline{REN}$  to data output latency. This signal also helps when write and read operations are performed continuously at different frequencies by indicating when valid data is available at the output port Q[35:0].

**Queue Valid Signal (QVal[2:0])**

Queue Valid (Qval[2:0]) is a three bit output that indicates the Queue from which valid data is being read. With respect to data this bus has to be validated along with the DVal signal. when DVal signal is high, the values on this bus can be ignored.

**Power Up**

The device becomes functional after  $V_{CC1}$ ,  $V_{CC2}$ ,  $V_{CCIO}$ , and  $V_{ref}$  attain minimum stable voltage required as given in Recommended DC Operating Conditions on page 14. The device can be accessed in  $t_{PU}$  time after these supplies attain the minimum required level (see Switching Characteristics on page 17). There is no power sequencing required for the device.

**Table 1. Word Size Selection**

PORTSZ[2:0]	Word Size	Active input data pins D[X:0]	Active output data pins Q[X:0]
000	$\times 9$	D[8:0]	Q[8:0]
001	$\times 12$	D[11:0]	Q[11:0]
010	$\times 16$	D[15:0]	Q[15:0]
011	$\times 18$	D[17:0]	Q[17:0]
100	$\times 20$	D[19:0]	Q[19:0]
101	$\times 24$	D[23:0]	Q[23:0]
110	$\times 32$	D[31:0]	Q[31:0]
111	$\times 36$	D[35:0]	Q[35:0]

**Table 2. Multi-Queue Configuration**

Operating Mode (given by configuration register 0x3 [2:0])	RQSEL[2:0]/WQSEL[2:0]	Queue Number Selected
1Q mode (register 0x3[2:0] = 3'b000)	000	0
	001–111	Invalid
2Q mode (register 0x3[2:0] = 3'b001)	000	0
	001	1
	010–111	invalid
4Q mode (register 0x3[2:0] = 3'b01X)	000	0
	001	1
	010	2
	011	3
	100–111	invalid
8Q mode (register 0x3[2:0] = 3'b1XX)	000	0
	001	1
	010	2
	011	3
	100	4
	101	5
	110	6
111	7	



**Write Mask and Read Skip Operation**

As mentioned in [Architecture on page 7](#), enabling writes but disabling the inputs (IE HIGH) increments the write pointer without doing any write operations or altering the contents of the location.

This feature is called Write Mask and allows user to move the write pointer without actually writing to the locations. This “write masking” ability is useful in some video applications such as Picture In Picture (PIP).

Similarly, during a read operation, if the outputs are disabled by having the OE high, the read data does not appear on the output bus; however, the read pointer is incremented.

**Multi-Queue Operation**

In general, the entire memory space is accessed as a single First In First Out (FIFO) order for the write and read operation. In this case, the entire memory space is called a single Queue. For example, for 144M device, the entire memory space is available as a single FIFO memory. In multi Queue mode, the entire memory space is divided into equal sized memory arrays and

each individual memory array can be accessed as an independent FIFO based on additional control signals. These independent memory arrays are called as Queues. For example, when 144M device, is configured into eight Queue mode, the entire memory space of 144M is divided into eight 18M memory array called as Queue-0 to Queue-7. These Queues can be accessed independently as a FIFO by selecting the Queue select signals WQSEL[2:0] and RQSEL[2:0]. In this way, upto eight Queues can be created for a given device where data can be stored independently and read out independently.

It is possible to configure the whole memory space of CYF2144V into 8 or 4 or 2 equal sized array, and each array can be independently accessed as an independent FIFO. This is like having eight or four or two independent Queues inside the FIFO instead of entire memory space acting as single Queue FIFO. The number of Queues is configured based on the value of D2, D1 & D0 bit of configuration register 0x3 (refer to [Table 3](#)). [Table 2 on page 8](#) shows the value to be set in D2, D1 & D0 of configuration register 0x3 to configure the device in 1/2/4/8 Queue modes.

**Table 3. Configuration Registers**

ADDR	Configuration Register	Default	Bit [7]	Bit [6]	Bit [5]	Bit [4]	Bit [3]	Bit [2]	Bit [1]	Bit [0]
0x1	Reserved	0x00	X	X	X	X	X	X	X	X
0x2	Reserved	0x00	X	X	X	X	X	X	X	X
0x3	Number of Queues	0x00	Enable Queue registers	X	X	X	X	D2	D1	D0
0x4	Reserved	0x7F	X	X	X	X	X	X	X	X
0x5	Reserved	0x00	X	X	X	X	X	X	X	X
0x6	Reserved	0x00	X	X	X	X	X	X	X	X
0x7	Reserved	0x7F	X	X	X	X	X	X	X	X
0x8	Reserved	0x00	X	X	X	X	X	X	X	X
0x9	Reserved	0x00	X	X	X	X	X	X	X	X
0xA	Fast CLK Bit Register	1XXXXXXXXb	Fast CLK bit	X	X	X	X	X	X	X

**Table 4. Writing and Reading Configuration Registers in Parallel Mode**

SPI_SEN	LD	WEN	REN	WCLK	RCLK	SPI_SCLK	Operation
1	0	0	1	↑ First rising edge because both LD and WEN are low	X	X	Parallel write to first register
1	0	0	1	↑ Second rising edge	X	X	Parallel write to second register
1	0	0	1	↑ Third rising edge	X	X	Parallel write to third register
1	0	0	1	↑ Fourth rising edge	X	X	Parallel write to fourth register
1	0	0	1	•	X	X	•
1	0	0	1	•	X	X	•
1	0	0	1	•	X	X	•
1	0	0	1	↑ Tenth rising edge	X	X	Parallel write to tenth register

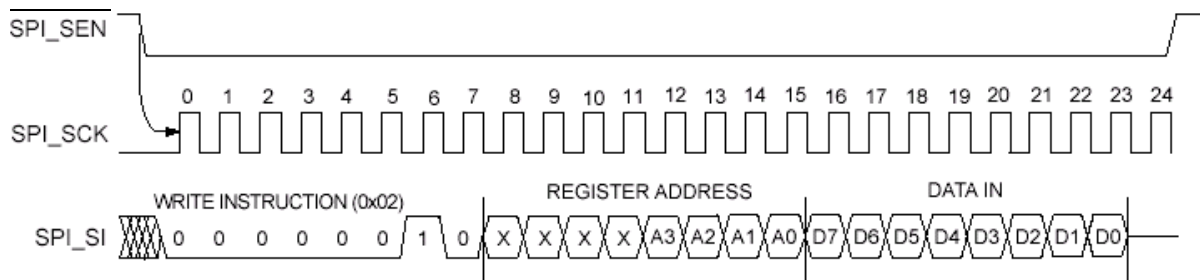
**Table 4. Writing and Reading Configuration Registers in Parallel Mode (continued)**

SPI_SEN	LD	WEN	REN	WCLK	RCLK	SPI_SCLK	Operation
1	0	0	1	↑ Eleventh rising edge	X	X	Parallel write to first register (roll back)
1	0	1	0	X	↑ First rising edge since both LD and REN are low	X	Parallel read from first register
1	0	1	0	X	↑ Second rising edge	X	Parallel read from second register
1	0	1	0	X	↑ Third rising edge	X	Parallel read from third register
1	0	1	0	X	↑ Fourth rising edge	X	Parallel read from fourth register
1	0	1	0	X	•	X	•
1	0	1	0	X	•	X	•
1	0	1	0	X	•	X	•
1	0	1	0	X	↑ Tenth rising edge	X	Parallel read from tenth register
1	0	1	0	X	↑ Eleventh rising edge	X	Parallel read from first register (roll back)
1	X	1	1	X	X	X	No operation
X	1	0	X	↑ Rising edge	X	X	Write to FIFO memory
X	1	X	0	X	↑ Rising edge	X	Read from FIFO memory
0	0	X	1	X	X	X	Illegal operation

**Table 5. Writing into Configuration Registers in Serial Mode**

SPI_SEN	LD	WEN	REN	WCLK	RCLK	SCLK	Operation
0	1	X	X	X	X	↑ Rising edge	Each rising of the SCLK clocks in one bit from the SI (Serial In). Any of the 10 registers can be addressed and written to, following the SPI protocol.
X	1	0	X	↑ Rising edge	X	X	Parallel write to FIFO memory.
X	1	X	0	X	↑ Rising edge	X	Parallel read from FIFO memory.
1	0	1	1	X	X	X	This corresponds to parallel mode (refer to Table 4).

**Figure 2. Serial WRITE to Configuration Register**

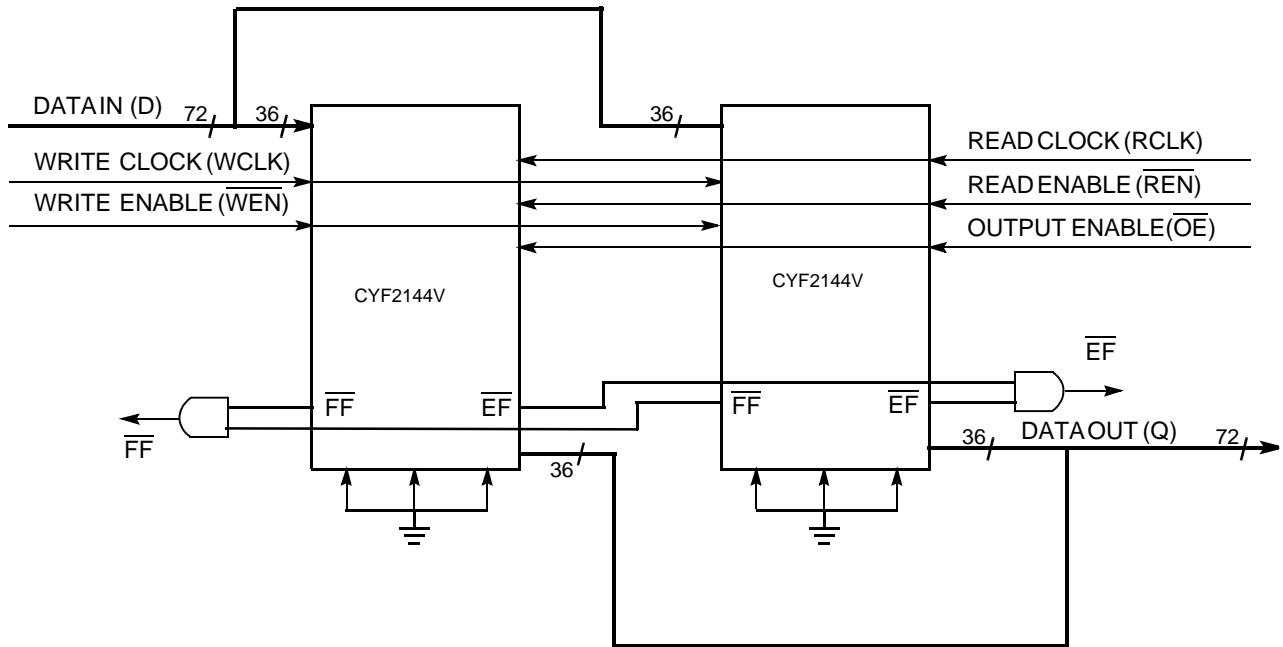


**Width Expansion Configuration**

The width of CYF2144V can be expanded to provide word widths greater than 36 bits. During width expansion mode, all control line inputs are common and all flags are available. Empty (Full) flags are created by ANDing the Empty (Full) flags of every FIFO.

This technique avoids reading data from or writing data to the FIFO that is “staggered” by one clock cycle due to the variations in skew between RCLK and WCLK. Figure 3 demonstrates an example of a 72 bit-word width by using two 36-bit word CYF2144Vs.

**Figure 3. Using Two CYF2144Vs for Width Expansion**



**Memory Organization for Different Port Sizes**

The 144-Mbit memory has different organization for different port sizes. Table 6 shows the depth of the FIFO for all port sizes.

Note that for all port sizes, four to eight locations are not available for writing the data and are used to safeguard against false synchronization of empty and full flags.

**Table 6. Word Size Selection**

PORTSZ[2:0]	Word Size	FIFO Depth	Memory Size
000	x 9	16 Meg	144-Mbit
001	x 12	8 Meg	96-Mbit
010	x 16	8 Meg	128-Mbit
011	x 18	8 Meg	144-Mbit
100	x 20	4 Meg	80-Mbit
101	x 24	4 Meg	96-Mbit
110	x 32	4 Meg	128-Mbit
111	x 36	4 Meg	144-Mbit

The memory size mentioned is when the device is configured in single-Queue mode.

### Read/Write Clock Requirements

The read and write clocks must satisfy the following requirements:

- Both read (RCLK) and write (WCLK) clocks should be free-running.
- The clock frequency for both clocks should be between the minimum and maximum range given in [Switching Characteristics on page 17](#).
- the ratio of RCLK to WCLK should be in the range of 0.5 to 2.

For proper FIFO operation, the device must determine which of the input clocks – RCLK or WCLK – is faster. This is evaluated by using counters after the MRS cycle. The device uses two 10-bit counters inside (one running on RCLK and other on

WCLK), which count 1,024 cycles of read and write clock after MRS. The clock of the counter which reaches its terminal count first is used as master clock inside the FIFO.

When there is change in the relative frequency of RCLK and WCLK during normal operation of FIFO, user can specify it by using “Fast CLK bit” in the configuration register (0xA).

“1” - indicates  $f_{req}(WCLK) > f_{req}(RCLK)$

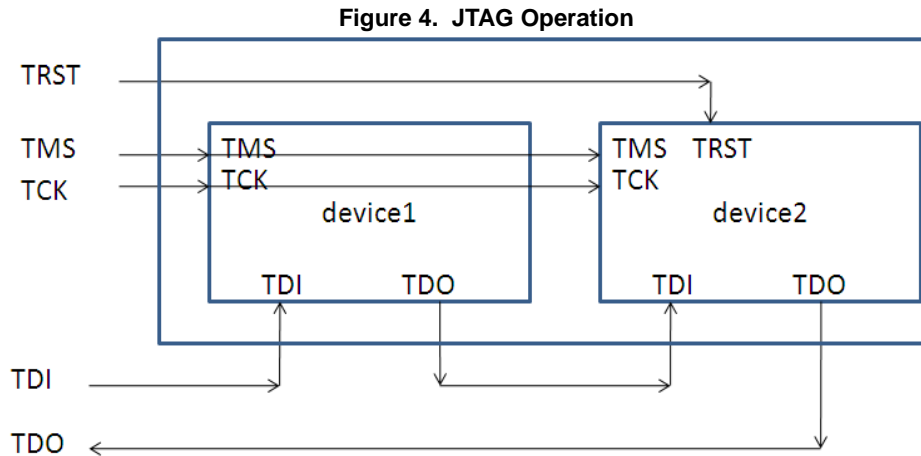
“0” - indicates  $f_{req}(WCLK) < f_{req}(RCLK)$

The result of counter evaluated frequency is available in this register bit. User can override the counter evaluated frequency for faster clock by changing this bit.

Whenever there is a change in this bit value, user must wait  $t_{PLL}$  time before issuing the next read or write to FIFO.

### JTAG operation

CYF2XXXVXXL has two devices connected internally in a JTAG chain as shown in [Figure 4](#).



[Table 7](#) shows the IR register length and device ID.

**Table 7. JTAG IDCODES**

	IR Register length	Device ID (HEX)	Bypass register length
Device-1	3	"Ignore"	1
Device-2	8	1E3261CF	1

For boundary scan, device-1 should be in bypass mode.

[Table 8](#) and [Table 9](#) shows the JTAG instruction set for devices 1 and 2 respectively.

**Table 8. JTAG Instructions**

Device-1	Opcode (Binary)
BYPASS	111

**Table 9. JTAG Instructions**

Device-2	Opcode (HEX)
EXTEST	00
HIGHZ	07
SAMPLE/PRELOAD	01
BYPASS	FF
IDCODE	0F

**Maximum Ratings**

Exceeding maximum ratings may impair the useful life of the device. These user guidelines are not tested.

Storage temperature (without bias) ..... -65 °C to +150 °C

Ambient temperature with power applied ..... -55 °C to +125 °C

Core supply voltage 1 (VCC1) to ground potential ..... -0.3 V to 2.5 V

Core supply voltage 2 (VCC2) to ground potential ..... -0.3 V to 1.65 V

Latch-up current ..... > 100 mA

I/O port supply voltage (VCCIO) ..... -0.3 V to 3.7 V

Voltage applied to I/O pins ..... -0.3 V to 3.75 V

Output current into outputs (LOW) ..... 24 mA

Static discharge voltage (per MIL-STD-883, Method 3015) ..... > 2001 V

**Operating Range**

Range	Ambient Temperature
Industrial	-40 °C to +85 °C

**Recommended DC Operating Conditions**

Parameter <sup>[2]</sup>	Description	Min	Typ	Max	Unit	
V <sub>CC1</sub>	Core supply voltage 1	1.70	1.80	1.90	V	
V <sub>CC2</sub>	Core supply voltage 2	1.425	1.5	1.575	V	
V <sub>REF</sub>	Reference voltage (irrespective of I/O standard used)	0.7	0.75	0.8	V	
V <sub>CCIO</sub>	I/O supply voltage, read and write banks.	LVC MOS33	3.00	3.30	3.60	V
		LVC MOS18	1.70	1.8	1.90	V

**Electrical Characteristics**

Parameter	Description	Conditions	Min	Typ	Max	Unit
I <sub>CC</sub>	Active current	V <sub>CC1</sub> = V <sub>CC1MAX</sub>	-	-	350	mA
		V <sub>CC2</sub> = V <sub>CC2MAX</sub> , All I/O switching, 100 MHz	-	-	400	mA
		V <sub>CCIO</sub> = V <sub>CCIO MAX</sub> (All outputs disabled)	-	-	50	mA
I <sub>I</sub>	Input pin leakage current	V <sub>IN</sub> = V <sub>CCIO max</sub> to 0 V	-15	-	15	µA
I <sub>OZ</sub>	I/O pin leakage current	V <sub>O</sub> = V <sub>CCIO max</sub> to 0 V	-15	-	15	µA
C <sub>P</sub>	Capacitance for TMS and TCK	-	-	-	16	pF
C <sub>PIO</sub>	Capacitance for pins apart from TMS and TCK	-	-	-	8	pF

**Note**

2. Device operation guaranteed for a supply rate > 1 V / µs.

**I/O Characteristics**

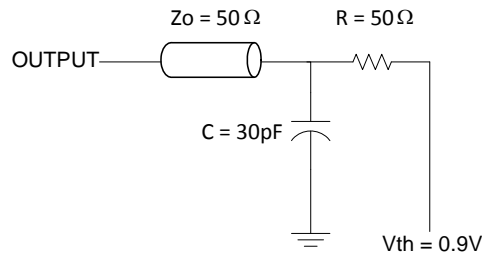
I/O standard	Nominal I/O supply voltage	Input Voltage (V)		Output voltage (V)		Output Current (mA)	
		V <sub>IL</sub> (max)	V <sub>IH</sub> (min)	V <sub>OL</sub> (max)	V <sub>OH</sub> (min)	I <sub>OL</sub> (max)	I <sub>OH</sub> (max)
LVC MOS33	3.3 V	0.80	2.20	0.45	2.40	24	24
LVC MOS18	1.8 V	30% V <sub>CCIO</sub>	65% V <sub>CCIO</sub>	0.45	V <sub>CCIO</sub> - 0.45	16	16

**Latency Table**

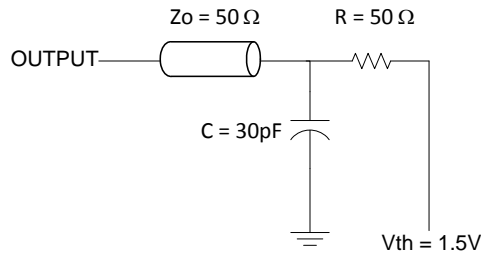
Latency Parameter	Number of cycles	Details
L <sub>FF_ASSERT</sub>	Min = 0 Max = 4	Last data write to $\overline{FF}$ going low
L <sub>EF_ASSERT</sub>	0	Last data read to $\overline{EF}$ going low
L <sub>RQSEL_CHANGE</sub>	1	Minimum RCLK cycles before RQSEL[2:0] can change
L <sub>WQSEL_CHANGE</sub>	2	Minimum WCLK cycles before WQSEL[2:0] can change
L <sub>MAILBOX</sub>	2	Latency from write port to read port when MB = 1 (w.r.t. WCLK)
L <sub>REN_TO_DATA</sub>	4	Latency when $\overline{REN}$ is asserted low to first data output from FIFO
L <sub>REN_TO_CONFIG</sub>	4	Latency when $\overline{REN}$ is asserted along with LD to first data read from configuration registers
L <sub>FF_DEASSERT</sub>	7	Read to $\overline{FF}$ going high
L <sub>RT_TO_REN</sub>	9	RT 5th cycle to $\overline{REN}$ going low for read
L <sub>RT_TO_DATA</sub>	Min = 22 Max = 24	RT 5th cycle to valid data on Q[35:0]
L <sub>IN</sub>	Min = 30 Max = 31	Initial latency for data read after FIFO goes empty during simultaneous read/write
L <sub>EF_DEASSERT</sub>	Min = 28 Max = 29	Write to $\overline{EF}$ going high

**AC Test Load Conditions**

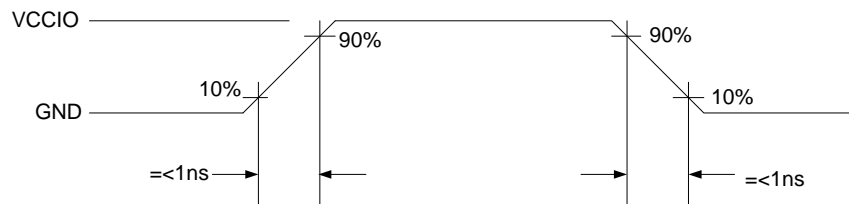
**Figure 5. AC Test Load Conditions**



(a)  $V_{CCIO} = 1.8$  Volt



(b)  $V_{CCIO} = 3.3$  Volt



(c) All Input Pulses



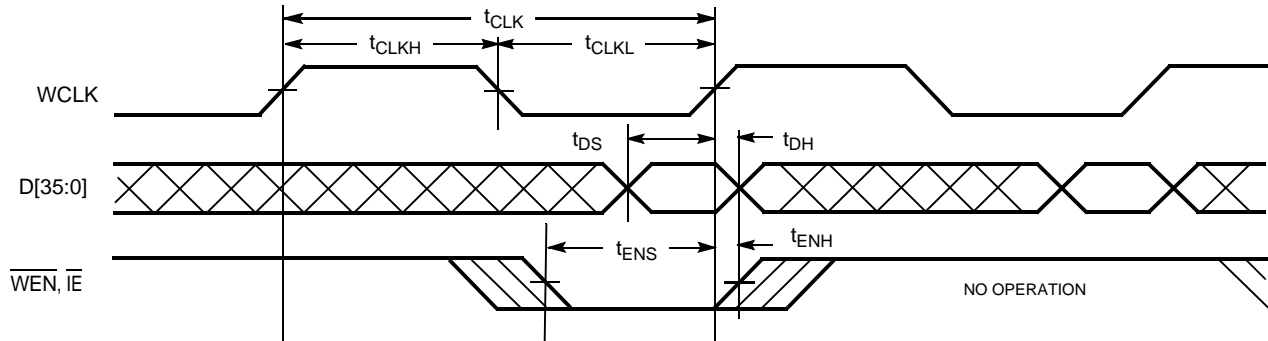
## Switching Characteristics

Over the Operating Range

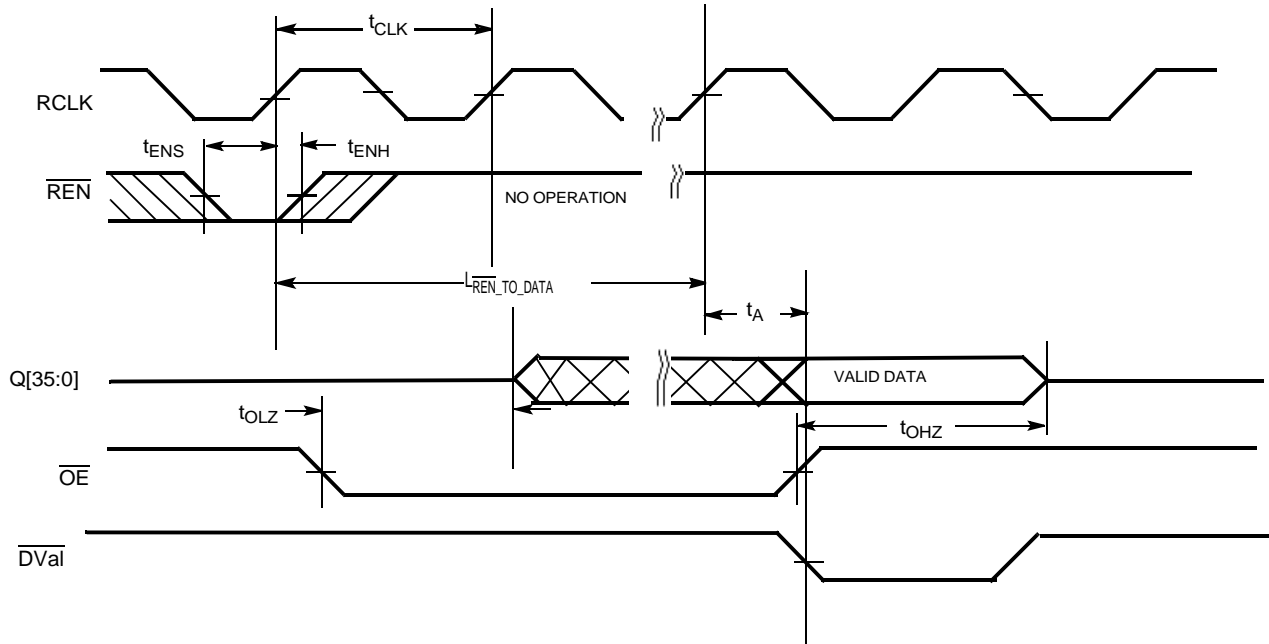
Parameter	Description	-100		Unit	
		Min	Max		
t <sub>PU</sub>	Power-up time after all supplies reach minimum value	–	2	ms	
t <sub>S</sub>	Clock cycle frequency	3.3 V LVCMOS	24	100	MHz
t <sub>S</sub>	Clock cycle frequency	1.8 V LVCMOS	24	100	MHz
t <sub>A</sub>	Data access time	–	10	ns	
t <sub>CLK</sub>	Clock cycle time	–	10	41.67	ns
t <sub>CLKH</sub>	Clock high time	4.5	–	ns	
t <sub>CLKL</sub>	Clock low time	4.5	–	ns	
t <sub>DS</sub>	Data setup time	3	–	ns	
t <sub>DH</sub>	Data hold time	3	–	ns	
t <sub>QS</sub>	RQSEL and WQSEL setup time	3	–	ns	
t <sub>QH</sub>	RQSEL and WQSEL hold time	3	–	ns	
t <sub>ENS</sub>	Enable setup time	3	–	ns	
t <sub>ENH</sub>	Enable hold time	3	–	ns	
t <sub>ENS_SI</sub>	Setup time for SI and SEN in SPI mode	5	–	ns	
t <sub>ENH_SI</sub>	Hold time for SI and SEN in SPI mode	5	–	ns	
t <sub>RATE_SPI</sub>	Frequency of SCLK	–	25	MHz	
t <sub>RS</sub>	Reset pulse width	100	–	ns	
t <sub>PZS</sub>	Port size select to MRS setup time	25	–	ns	
t <sub>PZH</sub>	MRS to port size select hold time	25	–	ns	
t <sub>RSF</sub>	Reset to flag output time	–	50	ns	
t <sub>PRT</sub>	Retransmit pulse width	5	–	RCLK cycles	
t <sub>OLZ</sub>	Output enable to output in Low Z	4	15	ns	
t <sub>OE</sub>	Output enable to output valid	–	15	ns	
t <sub>OHZ</sub>	Output enable to output in High Z	–	15	ns	
t <sub>WFF</sub>	Write clock to FF	–	9.5	ns	
t <sub>REF</sub>	Read clock to EF	–	9.5	ns	
t <sub>PLL</sub>	Time required to synchronize PLL	–	1024	cycles	
t <sub>RATE_JTAG</sub>	JTAG TCK cycle time	100	–	ns	
t <sub>S_JTAG</sub>	Setup time for JTAG TMS,TDI	8	–	ns	
t <sub>H_JTAG</sub>	Hold time for JTAG TMS,TDI	8	–	ns	
t <sub>CO_JTAG</sub>	JTAG TCK low to TDO valid	–	20	ns	

**Switching Waveforms**

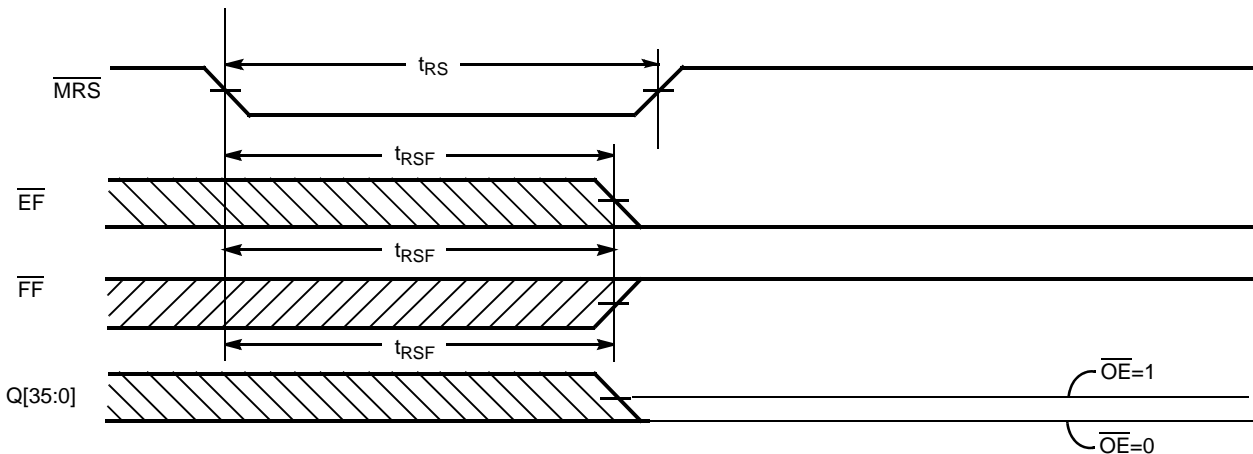
**Figure 6. Write Cycle Timing**



**Figure 7. Read Cycle Timing**

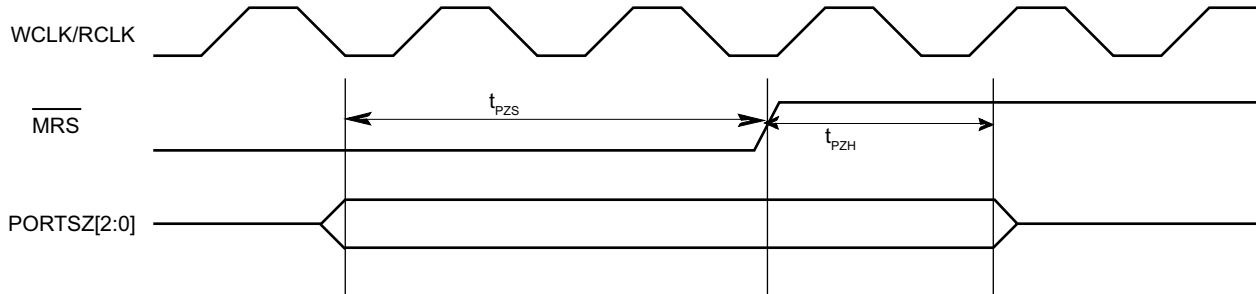


**Figure 8. Reset Timing**

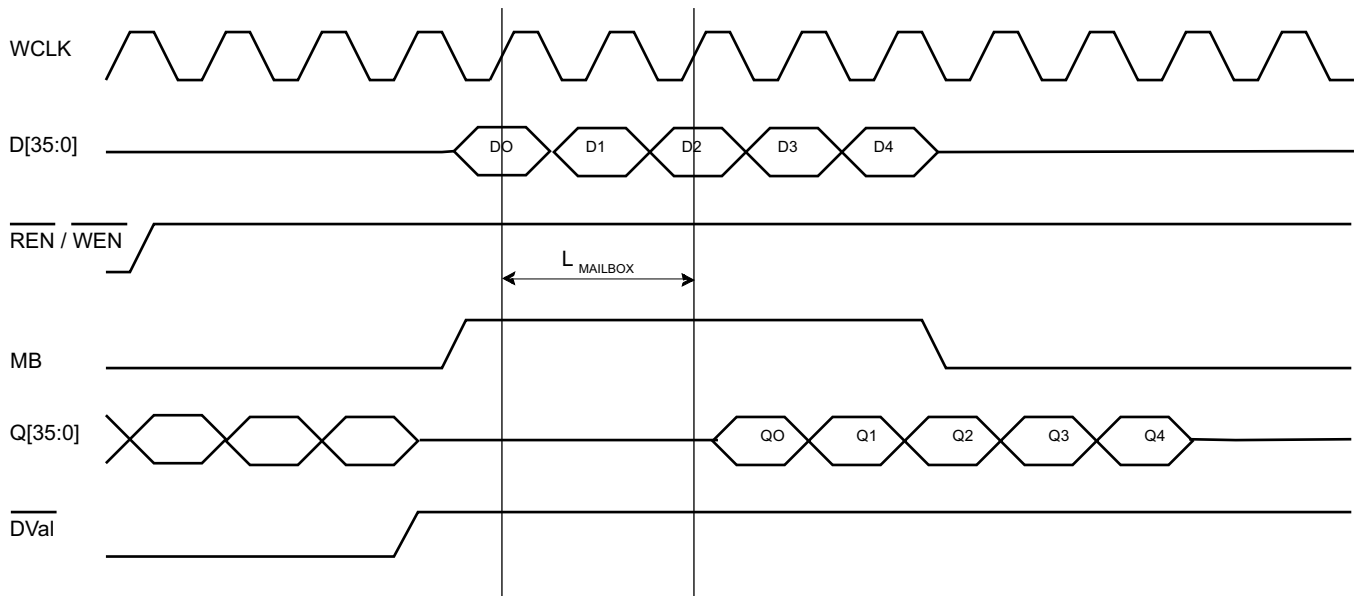


**Switching Waveforms** (continued)

**Figure 9.  $\overline{\text{MRS}}$  to PORTSZ[2:0]**

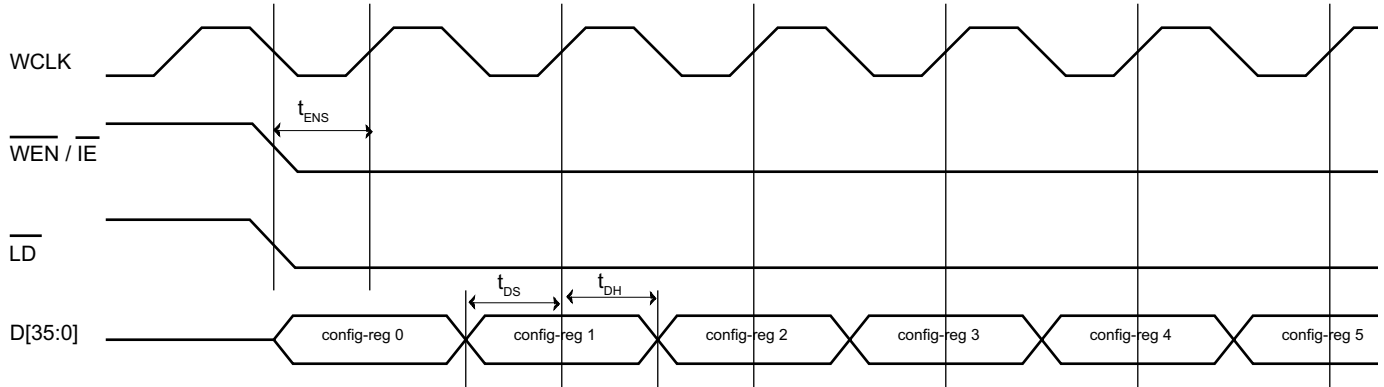


**Figure 10. Flow-through mailbox Operation**

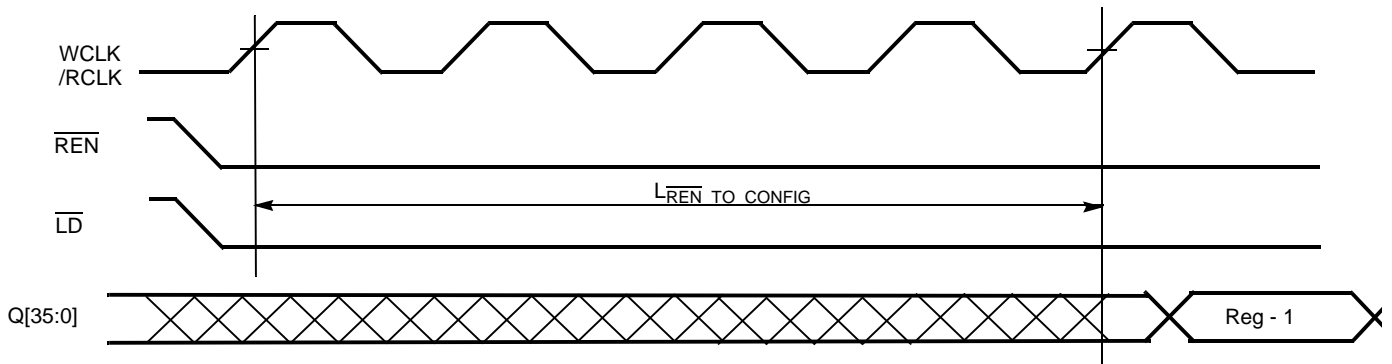


**Switching Waveforms** (continued)

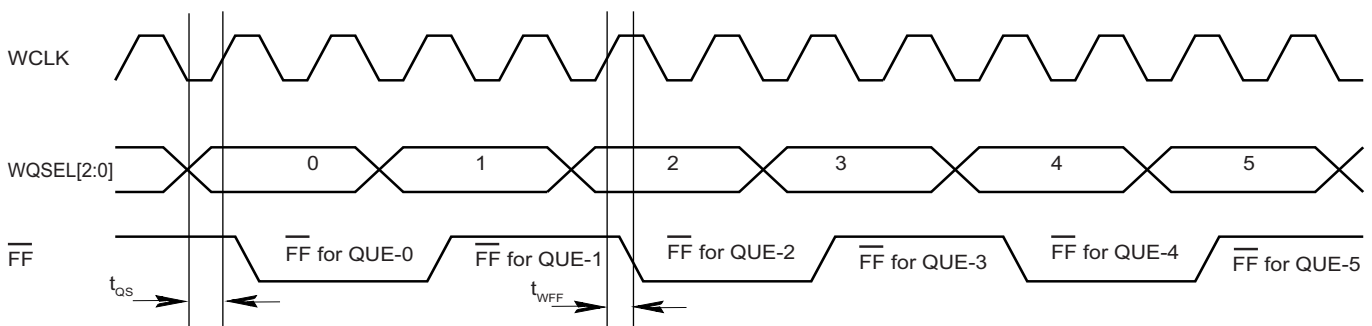
**Figure 11. Configuration Register Write**



**Figure 12. Configuration Register Read**



**Figure 13. WQSEL to  $\overline{FF}$**



Switching Waveforms (continued)

Figure 14. RQSEL to  $\overline{EF}$

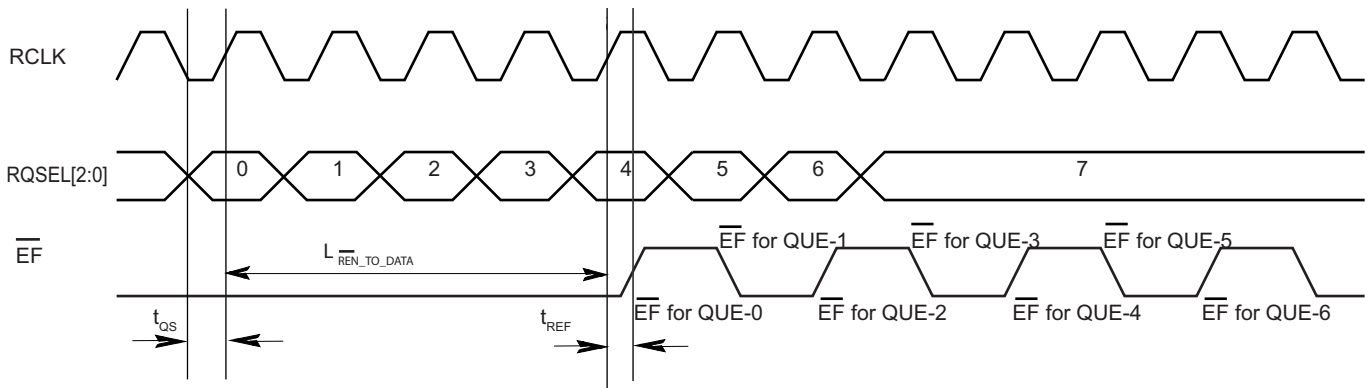
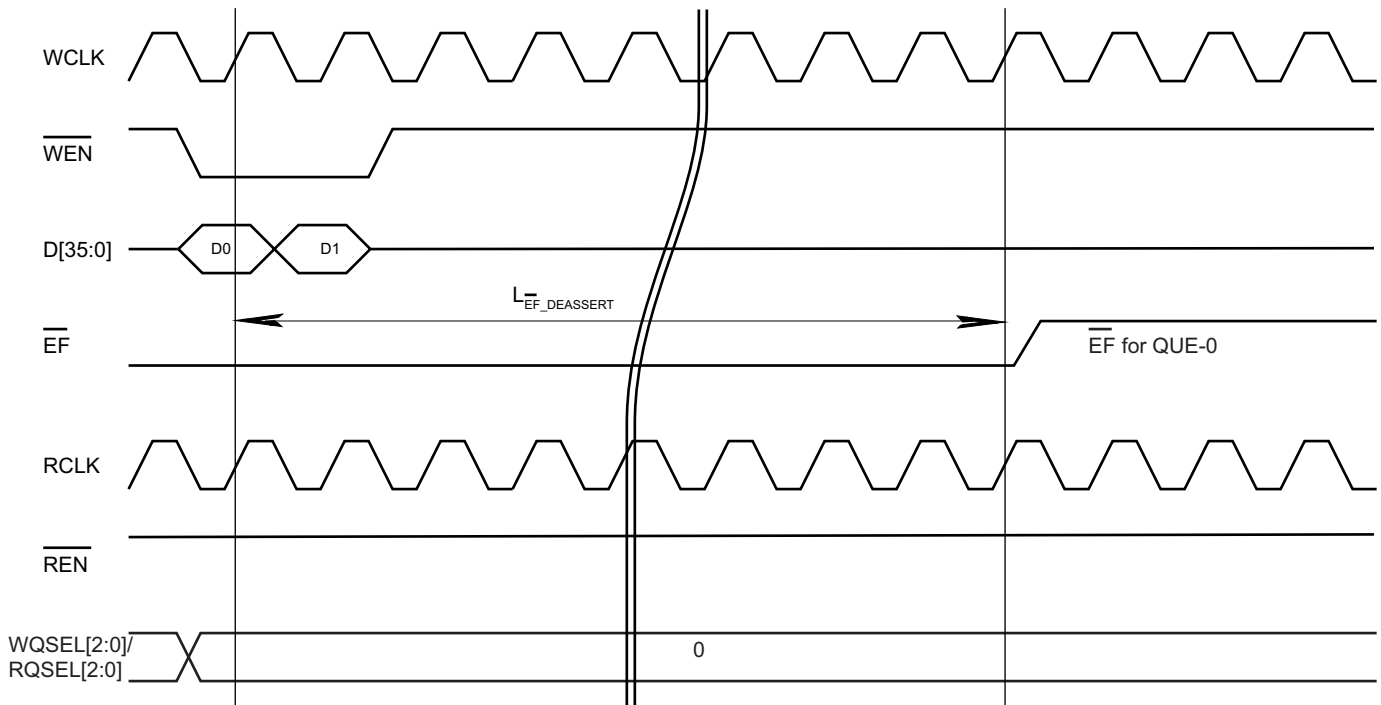
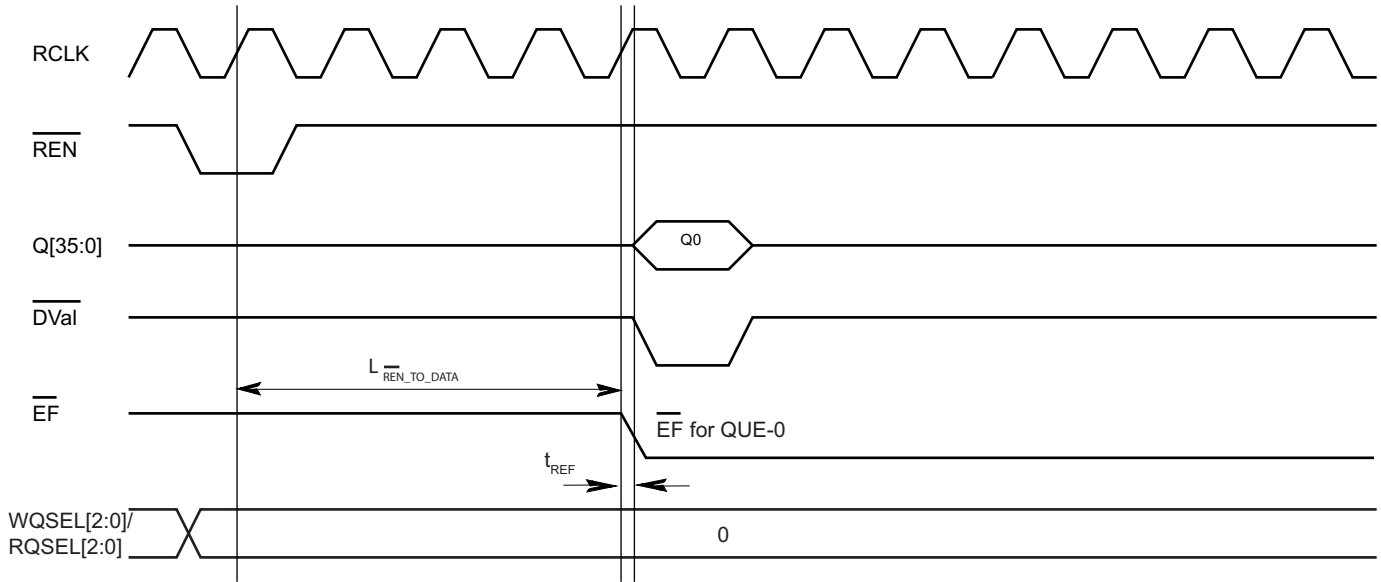


Figure 15. Write to Empty Flag De-assertion

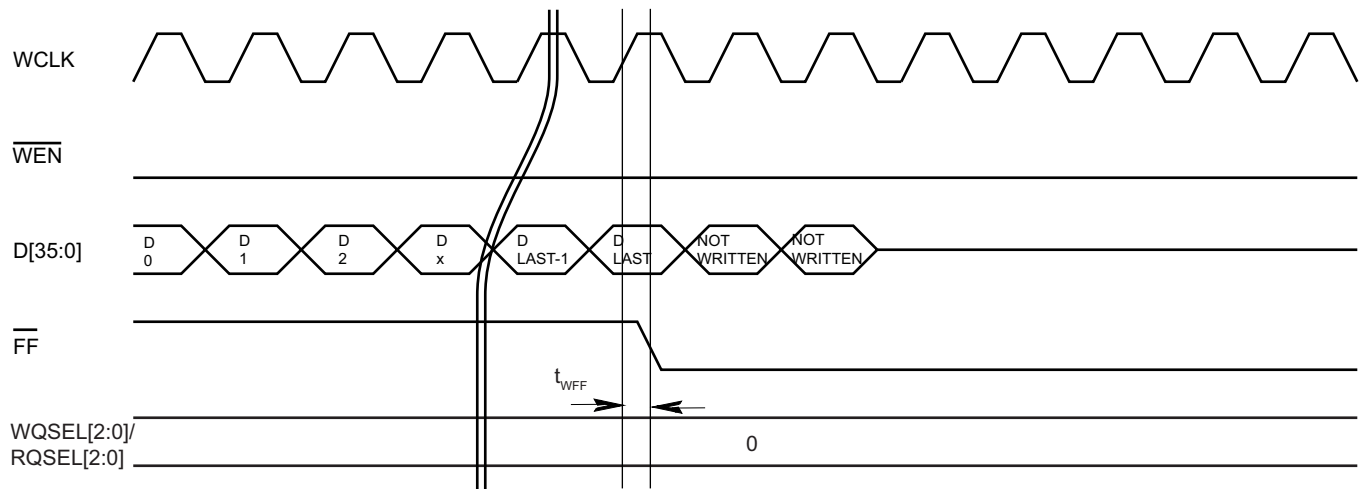


**Switching Waveforms** (continued)

**Figure 16. Read to Empty Flag Assertion**

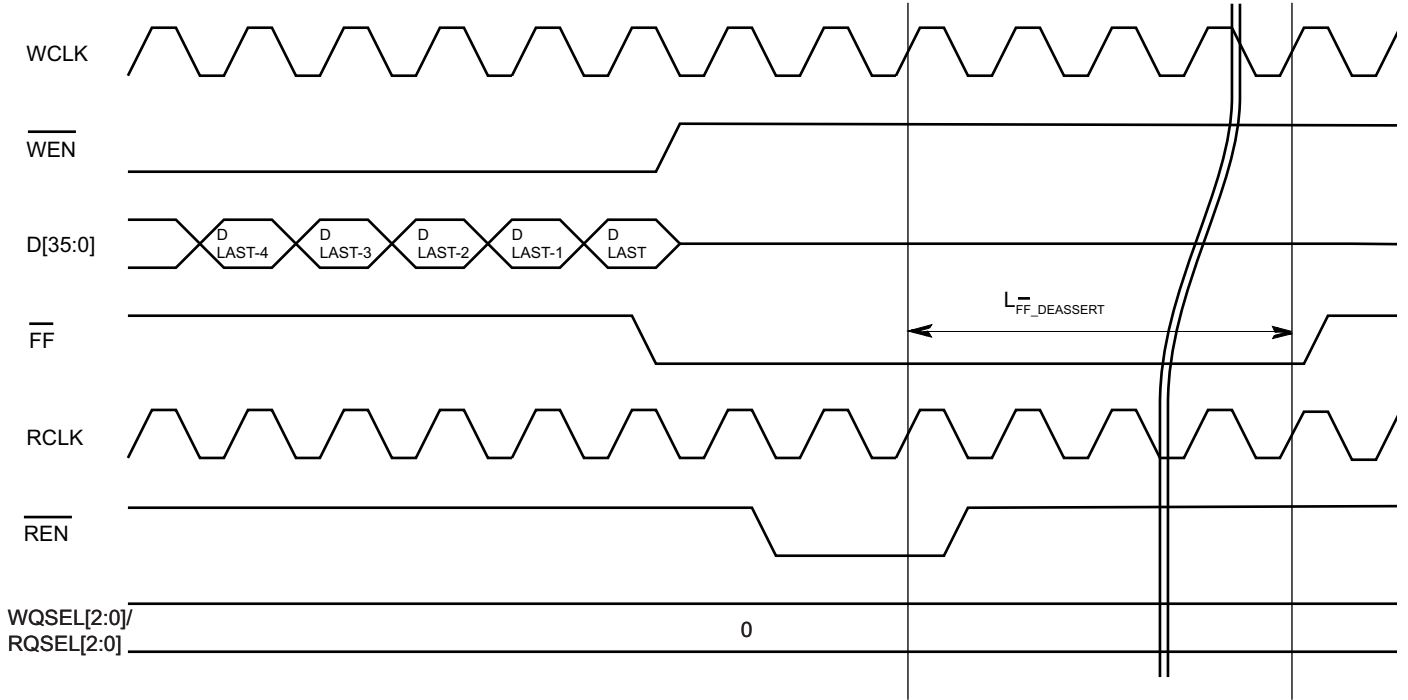


**Figure 17. Full Flag Assertion**

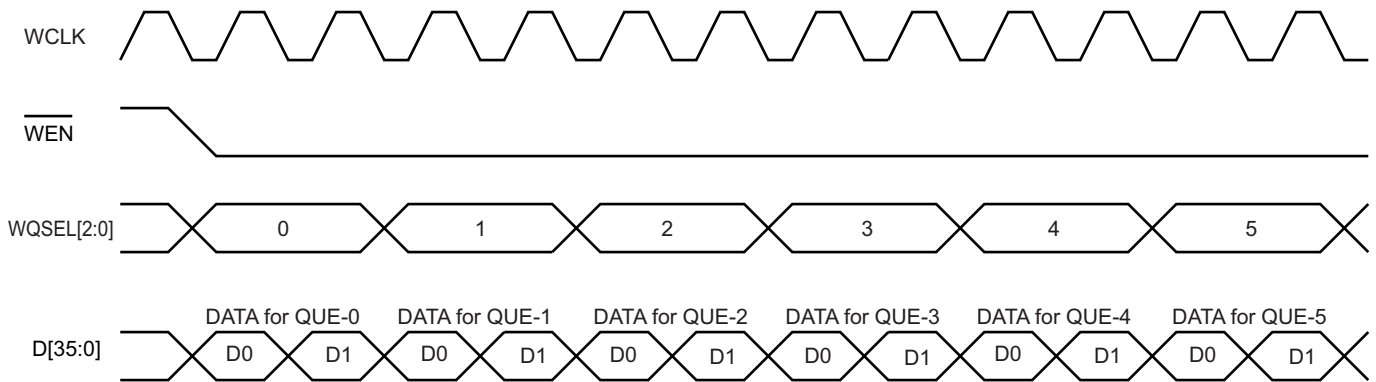


**Switching Waveforms** (continued)

**Figure 18. Full Flag De-assertion**

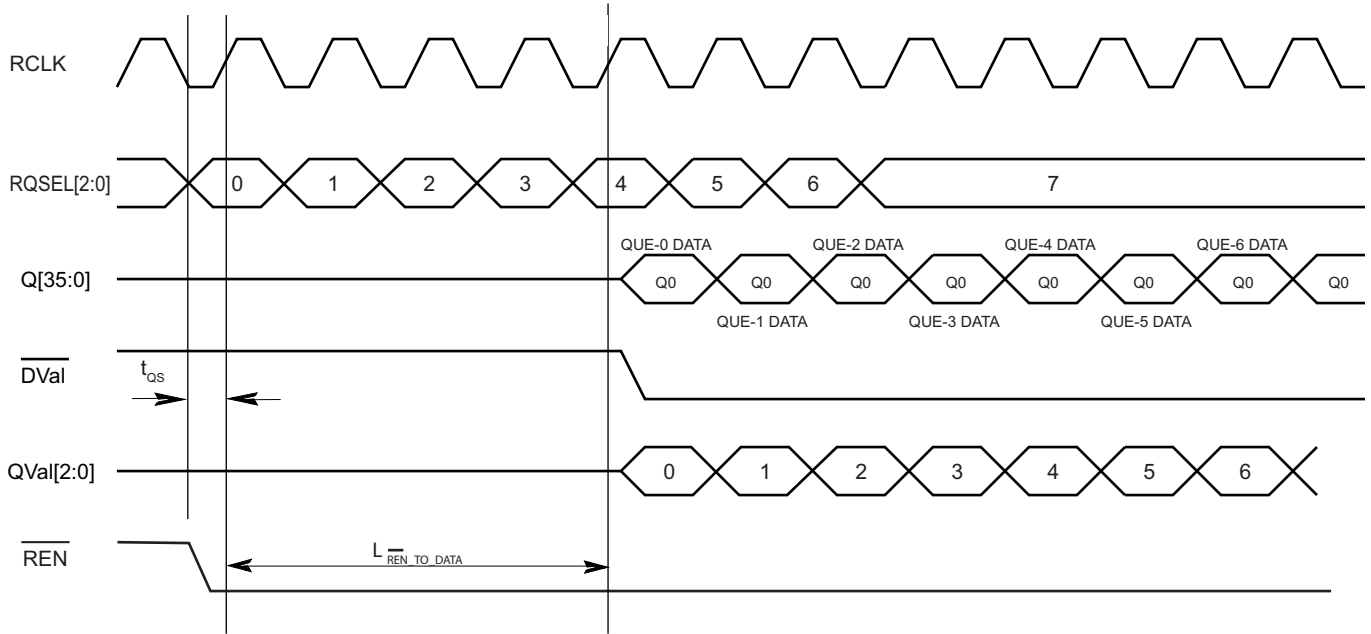


**Figure 19. Switching between Queues - Write**



**Switching Waveforms** (continued)

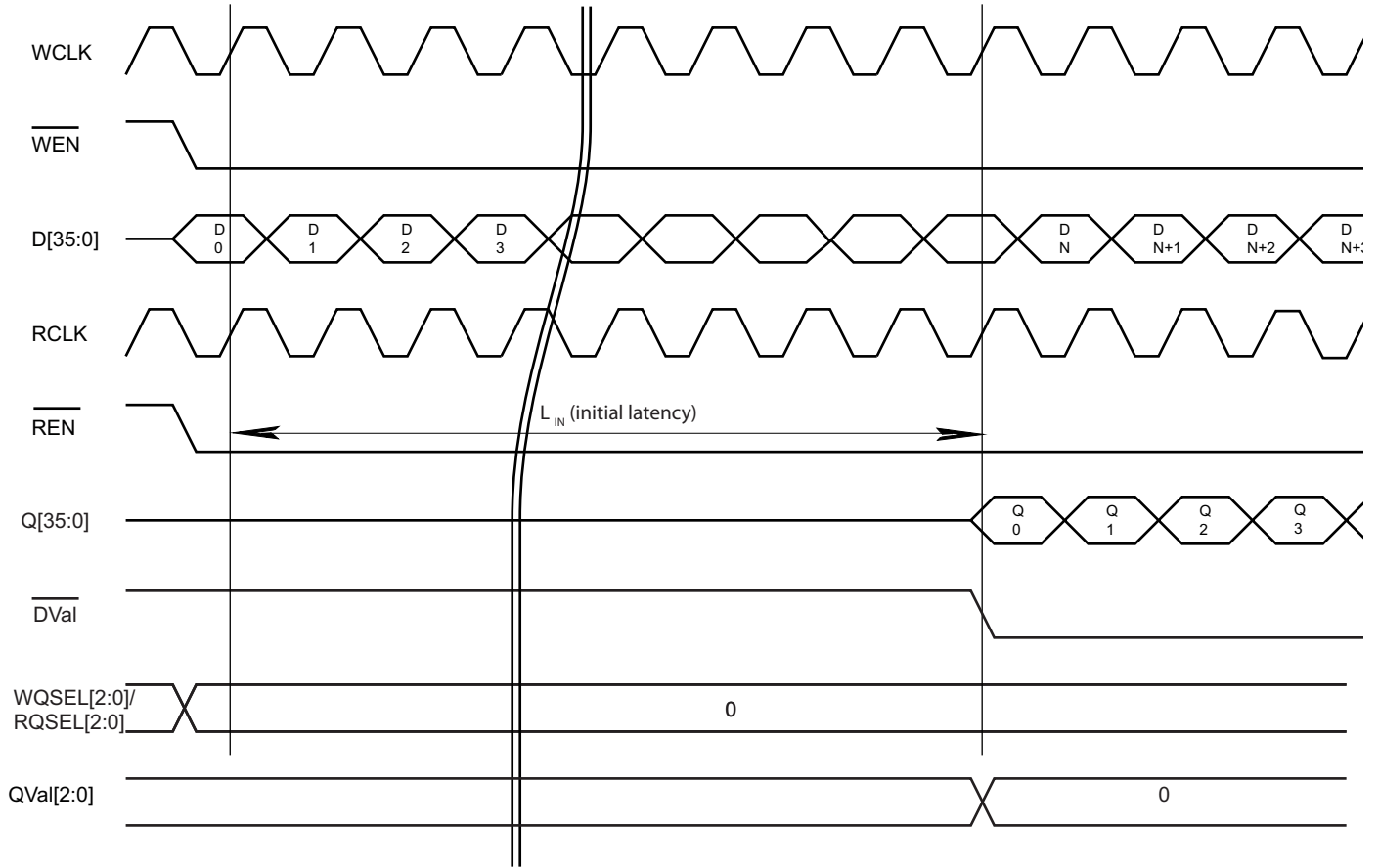
**Figure 20. Switching between Queues - Read**





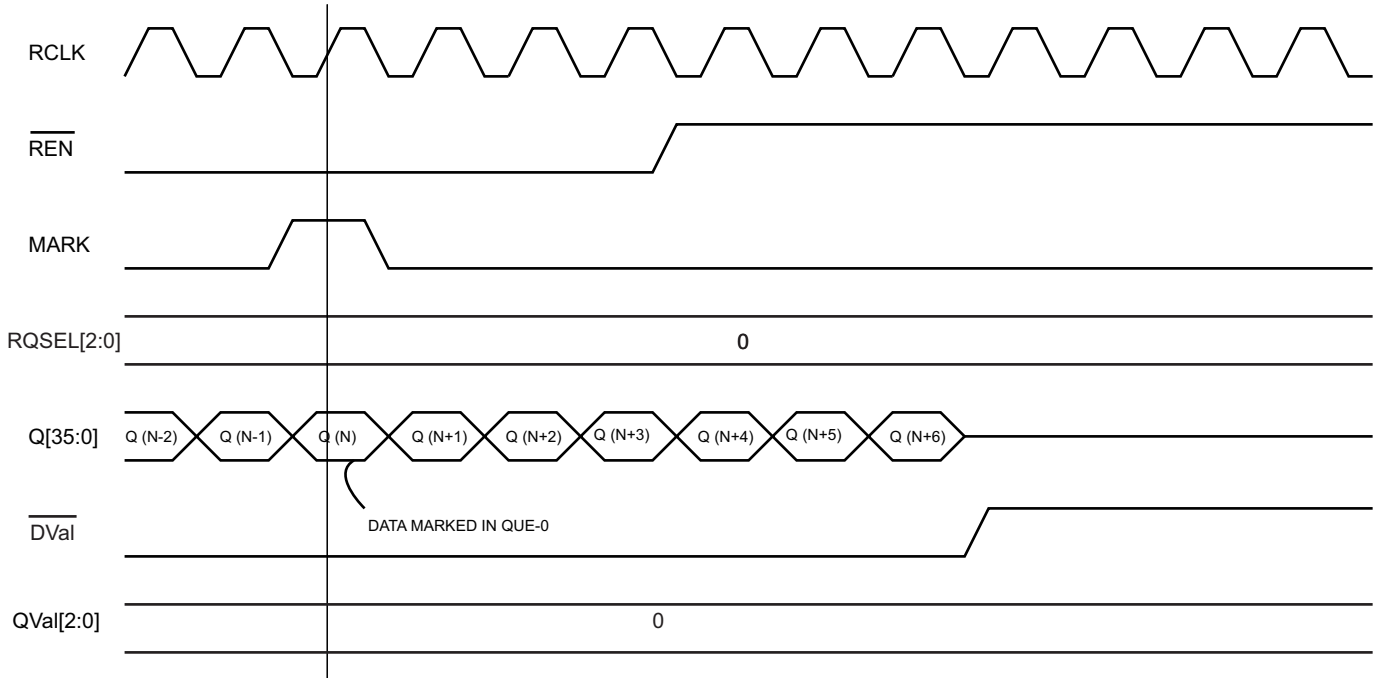
**Switching Waveforms** (continued)

**Figure 21. Simultaneous Write & Read QUE - 0**

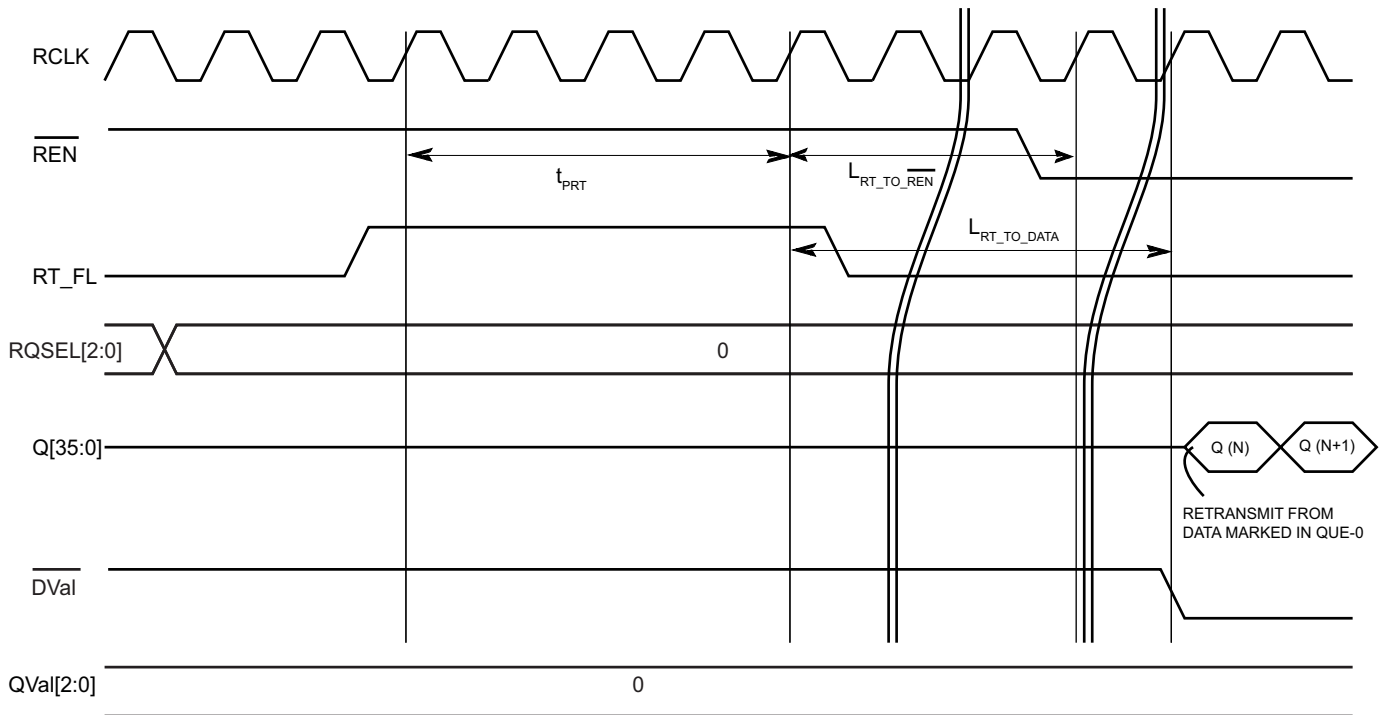


**Switching Waveforms** (continued)

**Figure 22. Mark**



**Figure 23. Retransmit**

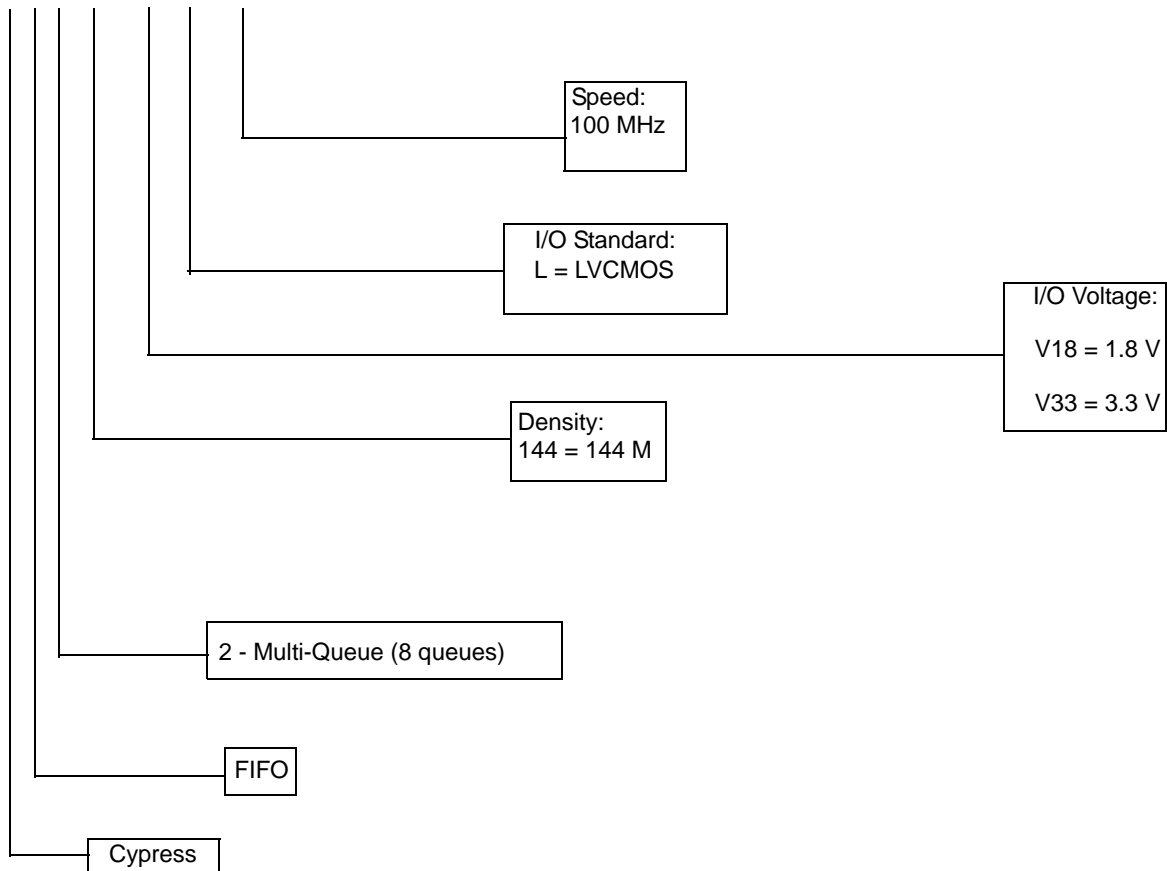


**Ordering Information**

Speed (MHz)	Ordering Code	Package Diagram	Package Type	Operating Range
100	CYF2144V33L-100BGXI	51-85167	209-ball FBGA (14 x 22 x 1.76 mm) Pb-free	Industrial
	CYF2144V18L-100BGXI			

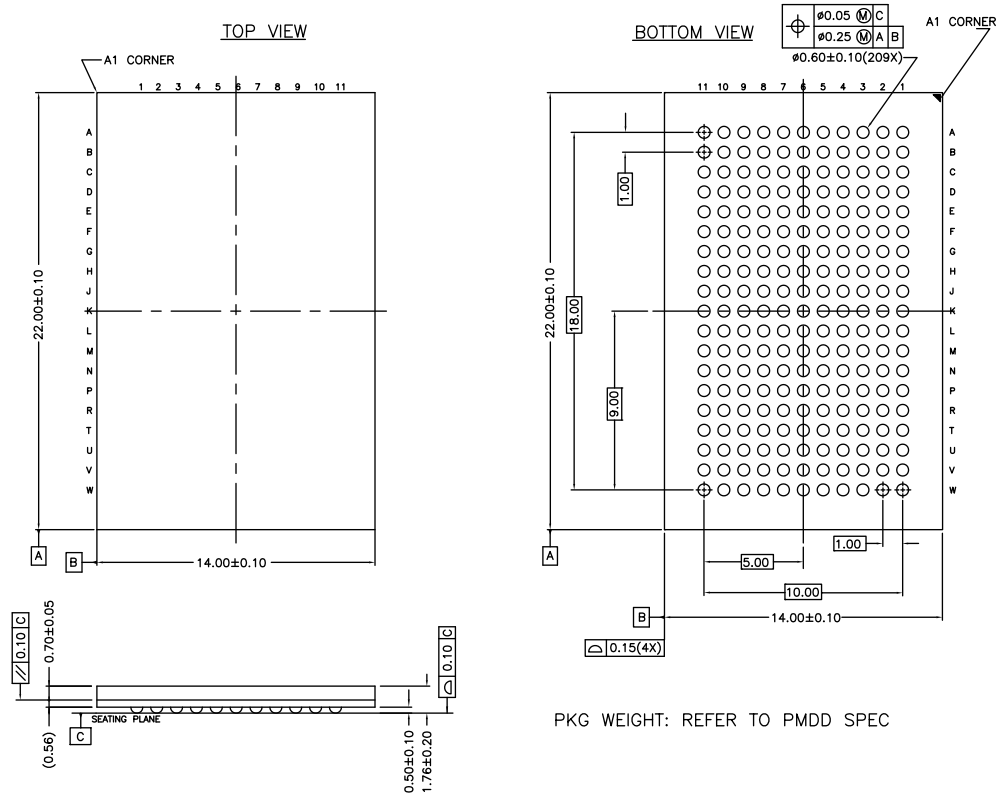
**Ordering Code Definitions**

CY F X XXX VXX X - XXX BGXI



**Package Diagram**

**Figure 24. 209-ball FBGA (14 x 22 x 1.76 mm) BB209A Package Outline, 51-85167**



PKG WEIGHT: REFER TO PMDD SPEC

51-85167 \*C

**Acronyms**

Acronym	Description
EF	empty flag
FF	full flag
FIFO	first in first out
IE	input enable
I/O	input/output
FBGA	fine-pitch ball grid array
JTAG	joint test action group
LVC MOS	low voltage complementary metal oxide semiconductor
MB	mailbox
MRS	master reset
OE	output enable
REN	read enable
RCLK	read clock
RQSEL	read queue select
SCLK	serial clock
TDI	test data in
TDO	test data out
TCK	test clock
TMS	test mode select
WCLK	write clock
WEN	write enable
WQSEL	write queue select
QUE-0	queue number 0
QUE-1	queue number 1

**Document Conventions**

**Units of Measure**

Symbol	Unit of Measure
°C	degree Celsius
MHz	megahertz
μA	microampere
mA	milliampere
mm	millimeter
ms	millisecond
ns	nanosecond
Ω	ohm
pF	picofarad
V	volt
W	watt

**Document History Page**

Document Title: CYF2144V, 144-Mbit Programmable Multi-Queue FIFOs Document Number: 001-82371				
Rev.	ECN No.	Orig. of Change	Submission Date	Description of Change
**	3726694	ADMU	08/28/2012	New data sheet.
*A	3805252	ADMU	11/07/2012	Updated <a href="#">Logic Block Diagram</a> . Updated <a href="#">Maximum Ratings</a> (Changed the value of Output current into outputs (LOW) from 20 mA to 24 mA). Updated <a href="#">Electrical Characteristics</a> (Changed maximum value of I <sub>CC</sub> parameter from 700 mA to 350 mA (for Condition "V <sub>CC1</sub> = V <sub>CC1MAX</sub> "), changed maximum value of I <sub>CC</sub> parameter from 600 mA to 400 mA (for Condition "V <sub>CC2</sub> = V <sub>CC2MAX</sub> , all I/O switching, 100 MHz"), changed maximum value of I <sub>CC</sub> parameter from 100 mA to 50 mA (for Condition "V <sub>CCIO</sub> = V <sub>CCIO MAX</sub> (All outputs disabled)")). Updated <a href="#">AC Test Load Conditions</a> (Updated <a href="#">Figure 5</a> ). Updated <a href="#">Package Diagram</a> (spec 51-85167 (Changed revision from *B to *C)).

## Sales, Solutions, and Legal Information

### Worldwide Sales and Design Support

Cypress maintains a worldwide network of offices, solution centers, manufacturer's representatives, and distributors. To find the office closest to you, visit us at [Cypress Locations](#).

#### Products

<a href="#">Automotive</a>	<a href="http://cypress.com/go/automotive">cypress.com/go/automotive</a>
<a href="#">Clocks &amp; Buffers</a>	<a href="http://cypress.com/go/clocks">cypress.com/go/clocks</a>
<a href="#">Interface</a>	<a href="http://cypress.com/go/interface">cypress.com/go/interface</a>
<a href="#">Lighting &amp; Power Control</a>	<a href="http://cypress.com/go/powerpsoc">cypress.com/go/powerpsoc</a> <a href="http://cypress.com/go/plc">cypress.com/go/plc</a>
<a href="#">Memory</a>	<a href="http://cypress.com/go/memory">cypress.com/go/memory</a>
<a href="#">Optical &amp; Image Sensing</a>	<a href="http://cypress.com/go/image">cypress.com/go/image</a>
<a href="#">PSoC</a>	<a href="http://cypress.com/go/psoc">cypress.com/go/psoc</a>
<a href="#">Touch Sensing</a>	<a href="http://cypress.com/go/touch">cypress.com/go/touch</a>
<a href="#">USB Controllers</a>	<a href="http://cypress.com/go/USB">cypress.com/go/USB</a>
<a href="#">Wireless/RF</a>	<a href="http://cypress.com/go/wireless">cypress.com/go/wireless</a>

#### PSoC Solutions

[psoc.cypress.com/solutions](http://psoc.cypress.com/solutions)  
PSoC 1 | PSoC 3 | PSoC 5

---

© Cypress Semiconductor Corporation, 2012. The information contained herein is subject to change without notice. Cypress Semiconductor Corporation assumes no responsibility for the use of any circuitry other than circuitry embodied in a Cypress product. Nor does it convey or imply any license under patent or other rights. Cypress products are not warranted nor intended to be used for medical, life support, life saving, critical control or safety applications, unless pursuant to an express written agreement with Cypress. Furthermore, Cypress does not authorize its products for use as critical components in life-support systems where a malfunction or failure may reasonably be expected to result in significant injury to the user. The inclusion of Cypress products in life-support systems application implies that the manufacturer assumes all risk of such use and in doing so indemnifies Cypress against all charges.

Any Source Code (software and/or firmware) is owned by Cypress Semiconductor Corporation (Cypress) and is protected by and subject to worldwide patent protection (United States and foreign), United States copyright laws and international treaty provisions. Cypress hereby grants to licensee a personal, non-exclusive, non-transferable license to copy, use, modify, create derivative works of, and compile the Cypress Source Code and derivative works for the sole purpose of creating custom software and or firmware in support of licensee product to be used only in conjunction with a Cypress integrated circuit as specified in the applicable agreement. Any reproduction, modification, translation, compilation, or representation of this Source Code except as specified above is prohibited without the express written permission of Cypress.

Disclaimer: CYPRESS MAKES NO WARRANTY OF ANY KIND, EXPRESS OR IMPLIED, WITH REGARD TO THIS MATERIAL, INCLUDING, BUT NOT LIMITED TO, THE IMPLIED WARRANTIES OF MERCHANTABILITY AND FITNESS FOR A PARTICULAR PURPOSE. Cypress reserves the right to make changes without further notice to the materials described herein. Cypress does not assume any liability arising out of the application or use of any product or circuit described herein. Cypress does not authorize its products for use as critical components in life-support systems where a malfunction or failure may reasonably be expected to result in significant injury to the user. The inclusion of Cypress' product in a life-support systems application implies that the manufacturer assumes all risk of such use and in doing so indemnifies Cypress against all charges.

Use may be limited by and subject to the applicable Cypress software license agreement.