

PRELIMINARY

**Quad, High Speed, Low Power,
Video Closed Loop Buffer**

June 1994

Features

- This Circuit is Processed in Accordance to MIL-STD-883 and is Fully Conformant Under the Provisions of Paragraph 1.2.1.
- User Programmable For Closed-Loop Gains of +1, -1 or +2 Without Use of External Resistors
- Standard Operational Amplifier Pinout
- Low Supply Current 5.9mA/Op Amp (Typ)
- Excellent Gain Accuracy 0.99V/V (Typ)
- Wide -3dB Bandwidth 340MHz (Typ)
- Fast Slew Rate 1155V/ μ s (Typ)
- High Input Impedance 1M Ω (Typ)
- Excellent Gain Flatness (to 50MHz) \pm 0.02dB (Typ)
- Fast Overdrive Recovery <10ns (Typ)

Applications

- Flash A/D Driver
- Video Switching and Routing
- Pulse and Video Amplifiers
- Wideband Amplifiers
- RF/IF Signal Processing
- Medical Imaging Systems

Description

The HFA1412/883 is a quad closed loop Buffer featuring user programmable gain and high speed performance. Manufactured on Intersil's proprietary complementary bipolar UHF-1 process, this device offers wide -3dB bandwidth of 340MHz, very fast slew rate, excellent gain flatness and high output current.

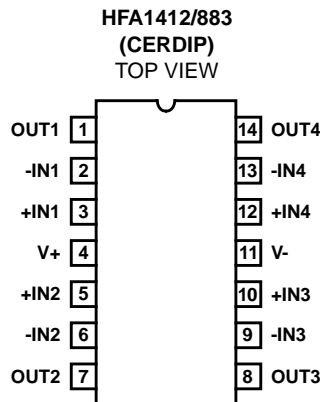
A unique feature of the pinout allows the user to select a voltage gain of +1, -1, or +2, without the use of any external components. Gain selection is accomplished via connections to the inputs, as described in the "Application Information" section. The result is a more flexible product, fewer part types in inventory, and more efficient use of board space.

Compatibility with existing op amp pinouts provides flexibility to upgrade low gain amplifiers, while decreasing component count. Unlike most buffers, the standard pinout provides an upgrade path should a higher closed loop gain be needed at a future date.

Ordering Information

PART NUMBER	TEMPERATURE RANGE	PACKAGE
HFA1412MJ/883	-55°C to +125°C	14 Lead CerDIP

Pinout



Specifications HFA1412/883

Absolute Maximum Ratings

Voltage Between V+ and V- 12V
 Voltage at Either Input Terminal V+ to V-
 Output Current (Note 1) Short Circuit Protected
 Output Current (50% Duty Cycle, Note 1) 60mA
 Junction Temperature +175°C
 ESD Rating > 2000V
 Storage Temperature Range -65°C ≤ T_A ≤ +150°C
 Lead Temperature (Soldering 10s) +300°C

Thermal Information

Thermal Resistance
 CerDIP Package θ_{JA} 75°C/W θ_{JC} 20°C/W
 Maximum Package Power Dissipation at +75°C
 CerDIP Package 1.33W
 Package Power Dissipation Derating Factor above +75°C
 CerDIP Package 13.3mW/°C

CAUTION: Stresses above those listed in "Absolute Maximum Ratings" may cause permanent damage to the device. This is a stress only rating and operation of the device at these or any other conditions above those indicated in the operational sections of this specification is not implied.

Operating Conditions

Operating V_{SUPPLY} (±V_S) ±5V R_L ≥ 50Ω
 Operating Temperature Range -55°C ≤ T_A ≤ +125°C

TABLE 1. DC ELECTRICAL PERFORMANCE CHARACTERISTICS

Device Tested at: V_{SUPPLY} = ±5V, A_V = +1, R_{SOURCE} = 0Ω, R_L = 100Ω, V_{OUT} = 0V, Unless Otherwise Specified.

PARAMETERS	SYMBOL	CONDITIONS	GROUP A SUBGROUPS	TEMPERATURE	LIMITS		UNITS
					MIN	MAX	
Output Offset Voltage	V _{OS}	V _{CM} = 0V	1	+25°C	-10	10	mV
			2, 3	+125°C, -55°C	-20	20	mV
Channel-to-Channel Output Offset Voltage Mismatch	ΔV _{OS}	V _{CM} = 0V	1	+25°C	-15	15	mV
			2, 3	+125°C, -55°C	-30	30	mV
Common Mode Rejection Ratio	CMRR	ΔV _{CM} = ±1.8V V+ = 3.2V, V- = -6.8V V+ = 6.8V, V- = -3.2V	1	+25°C	42	-	dB
			2	+125°C	39	-	dB
		3	-55°C	39	-	dB	
Power Supply Rejection Ratio	PSRRP	ΔV _{SUPPLY} = ±1.8V V+ = 6.8V, V- = -5V V+ = 3.2V, V- = -5V	1	+25°C	45	-	dB
			2	+125°C	42	-	dB
			3	-55°C	42	-	dB
	PSRRN	ΔV _{SUPPLY} = ±1.2V V+ = 6.2V, V- = -5V V+ = 3.8V, V- = -5V	1	+25°C	45	-	dB
			2	+125°C	42	-	dB
			3	-55°C	42	-	dB
Non-Inverting Input (+IN) Current	I _{BSP}	V _{CM} = 0V	1	+25°C	-15	15	μA
			2, 3	+125°C, -55°C	-25	25	μA
Channel-to-Channel +IN Current Mismatch	ΔI _{BSP}	V _{CM} = 0V	1	+25°C	-15	15	μA
			2, 3	+125°C, -55°C	-25	25	μA

Specifications HFA1412/883

TABLE 1. DC ELECTRICAL PERFORMANCE CHARACTERISTICS (Continued)

Device Tested at: $V_{SUPPLY} = \pm 5V$, $A_V = +1$, $R_{SOURCE} = 0\Omega$, $R_L = 100\Omega$, $V_{OUT} = 0V$, Unless Otherwise Specified.

PARAMETERS	SYMBOL	CONDITIONS	GROUP A SUBGROUPS	TEMPERATURE	LIMITS		UNITS	
					MIN	MAX		
+IN Current Common Mode Sensitivity	CMS_{IBP}	$\Delta V_{CM} = \pm 1.8V$ $V_+ = 3.2V, V_- = -6.8V$ $V_+ = 6.8V, V_- = -3.2V$	1	+25°C	-	1.25	$\mu A/V$	
			2	+125°C	-	2.85	$\mu A/V$	
		3	-55°C	-	2.85	$\mu A/V$		
+IN Resistance	$+R_{IN}$	Note 2	1	+25°C	800	-	k Ω	
			2, 3	+125°C, -55°C	350	-	k Ω	
Gain	A_{VP1}	$A_V = +1$ $V_{IN} = -1V$ to +1V	1	+25°C	0.98	1.02	V/V	
			2, 3	+125°C, -55°C	0.975	1.025	V/V	
	A_{VM1}	$A_V = -1$ $V_{IN} = -1V$ to +1V	1	+25°C	-0.98	-1.02	V/V	
			2, 3	+125°C, -55°C	-0.975	-1.025	V/V	
	A_{VP2}	$A_V = +2$ $V_{IN} = -1V$ to +1V	1	+25°C	1.96	2.04	V/V	
			2, 3	+125°C, -55°C	1.95	2.05	V/V	
Channel-to-Channel Gain Mismatch	ΔA_{VP1}	$A_V = +1$ $V_{IN} = -1V$ to +1V	1	+25°C	-0.02	0.02	V/V	
			2, 3	+125°C, -55°C	-0.025	0.025	V/V	
	ΔA_{VM1}	$A_V = -1$ $V_{IN} = -1V$ to +1V	1	+25°C	-0.02	0.02	V/V	
			2, 3	+125°C, -55°C	-0.025	0.025	V/V	
	ΔA_{VP2}	$A_V = +2$ $V_{IN} = -1V$ to +1V	1	+25°C	-0.04	0.04	V/V	
			2, 3	+125°C, -55°C	-0.05	0.05	V/V	
Output Voltage Swing	V_{OP100}	$A_V = -1$ $R_L = 100\Omega$	$V_{IN} = -3.2V$	1	+25°C	3	-	V
			$V_{IN} = -3V$	2, 3	+125°C, -55°C	2.8	-	V
	V_{ON100}	$A_V = -1$ $R_L = 100\Omega$	$V_{IN} = +3.2V$	1	+25°C	-	-3	V
			$V_{IN} = +3V$	2, 3	+125°C, -55°C	-	-2.8	V
Output Voltage Swing	V_{OP50}	$A_V = -1$ $R_L = 50\Omega$	$V_{IN} = -2.7V$	1	+25°C	2.5	-	V
			$V_{IN} = -2.25V$	2	+125°C	2.0	-	V
			$V_{IN} = -2.25V$	3	-55°C	1.4	-	V
	V_{ON50}	$A_V = -1$ $R_L = 50\Omega$	$V_{IN} = +2.7V$	1	+25°C	-	-2.5	V
			$V_{IN} = +2.25$ V	2	+125°C	-	-2.0	V
			$V_{IN} = +2.25$ V	3	-55°C	-	-1.4	V

Specifications HFA1412/883

TABLE 1. DC ELECTRICAL PERFORMANCE CHARACTERISTICS (Continued)

Device Tested at: $V_{SUPPLY} = \pm 5V$, $A_V = +1$, $R_{SOURCE} = 0\Omega$, $R_L = 100\Omega$, $V_{OUT} = 0V$, Unless Otherwise Specified.

PARAMETERS	SYMBOL	CONDITIONS	GROUP A SUBGROUPS	TEMPERATURE	LIMITS		UNITS
					MIN	MAX	
Output Current	+I _{OUT}	Note 3	1	+25°C	50	-	mA
			2	+125°C	40	-	mA
			3	-55°C	28	-	mA
	-I _{OUT}	Note 3	1	+25°C	-	-50	mA
			2	+125°C	-	-40	mA
			3	-55°C	-	-28	mA
Quiescent Power Supply Current	I _{CC}	R _L = 100Ω	1	+25°C	5.4	6.1	mA/Op Amp
			2, 3	+125°C, -55°C	5.0	6.5	mA/Op Amp
	I _{EE}	R _L = 100Ω	1	+25°C	-6.1	-5.4	mA/Op Amp
			2, 3	+125°C, -55°C	-6.5	-5.0	mA/Op Amp

NOTES:

- Output is short circuit protected to ground. Brief short circuits to ground will not degrade reliability, however continuous (100% duty cycle) output current must not exceed 30mA for maximum reliability.
- Guaranteed from +IN Common Mode Rejection Test, by: $+R_{IN} = 1/CMS_{IBP}$.
- Guaranteed from V_{OUT} Test with R_L = 50Ω, by: $I_{OUT} = V_{OUT}/50\Omega$.

TABLE 2. AC ELECTRICAL PERFORMANCE CHARACTERISTICS

Table 2 Intentionally Left Blank.

TABLE 3. ELECTRICAL PERFORMANCE CHARACTERISTICS

Table 3 Intentionally Left Blank.

TABLE 4. ELECTRICAL TEST REQUIREMENTS

MIL-STD-883 TEST REQUIREMENTS	SUBGROUPS (SEE TABLE 1)
Interim Electrical Parameters (Pre Burn-In)	1
Final Electrical Test Parameters	1 (Note 1), 2, 3
Group A Test Requirements	1, 2, 3
Groups C and D Endpoints	1

NOTE:

- PDA applies to Subgroup 1 only.

All Intersil semiconductor products are manufactured, assembled and tested under **ISO9000** quality systems certification.

Intersil products are sold by description only. Intersil Corporation reserves the right to make changes in circuit design and/or specifications at any time without notice. Accordingly, the reader is cautioned to verify that data sheets are current before placing orders. Information furnished by Intersil is believed to be accurate and reliable. However, no responsibility is assumed by Intersil or its subsidiaries for its use; nor for any infringements of patents or other rights of third parties which may result from its use. No license is granted by implication or otherwise under any patent or patent rights of Intersil or its subsidiaries.

For information regarding Intersil Corporation and its products, see web site <http://www.intersil.com>