

January 1998

**NOT RECOMMENDED FOR NEW DESIGNS**  
 See HI2302  
 contact our Technical Support Center at  
 1-888-INTERSIL or www.intersil.com/tsc

## 8-Bit, 30 MSPS, Video A/D Converter with Amplifier/Clamp

### Features

- Resolution .....8-Bit  $\pm 0.5$  LSB (DNL)
- Maximum Sampling Frequency ..... 30 MSPS
- Low Power Consumption, 120mW (Including Reference Current)
- Standby Function
- Amplifier Functions
  - Built-In 3x Amplifier (15MHz Band)
  - 2-Input Selector Function Provided
- Built-In Input Clamp Function (DC Restore)
- Clamp ON/OFF Function
- Internal Voltage Reference
- Three-State TTL Compatible Output
- Power Supply ..... +5V Single or +4.75/3.3V Dual
- Direct Replacement for Sony CXD2301

### Description

The HI2301 is an 8-bit CMOS analog-to-digital converter for video use that features a sync clamp function and on-chip amplifier. The adoption of a 2-step parallel method realizes low power consumption and a maximum conversion speed of 30 MSPS.

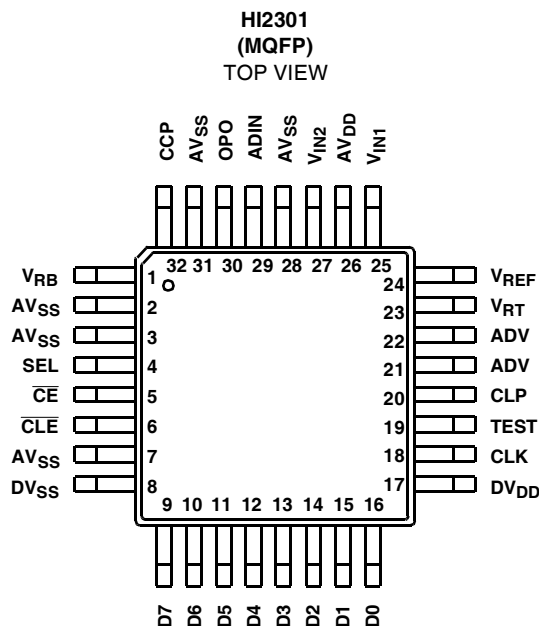
### Ordering Information

PART NUMBER	TEMP. RANGE (°C)	PACKAGE	PKG. NO.
HI2301JCQ	-20 to 75	32 Ld MQFP	Q32.7x7-S

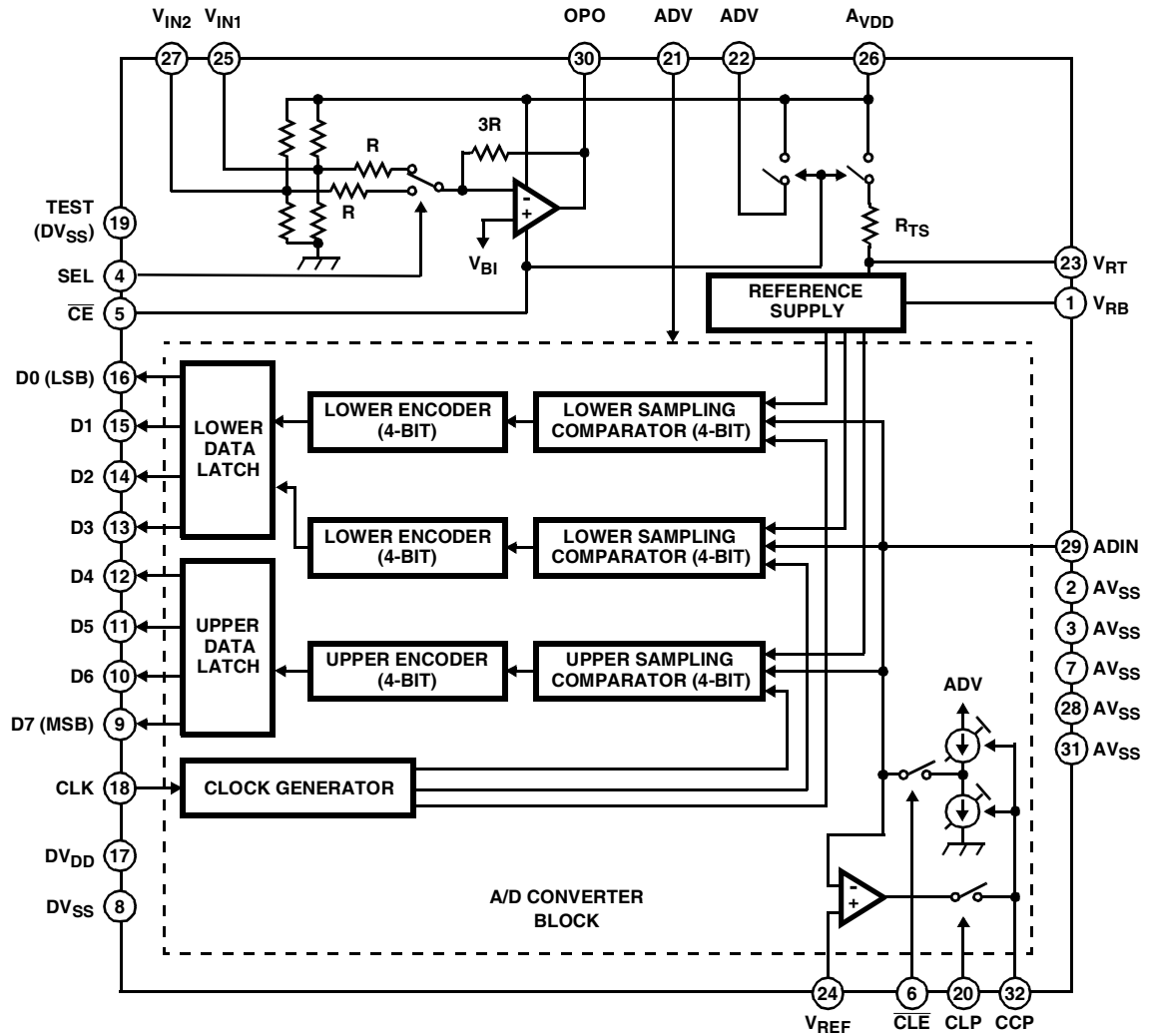
### Applications

- Desktop Video
- Multimedia
- Video Digitizing
- Image Scanners

### Pinout



**Functional Block Diagram**



**Pin Descriptions**

PIN NO.	SYMBOL	EQUIVALENT CIRCUIT	DESCRIPTION
1	$V_{RB}$		Reference voltage (bottom) connect to $AV_{SS}$ for normal use. When another external voltage is input, connect an external $0.1\mu F$ capacitor and retain a 1.5V differential compared to the top reference voltage.
23	$V_{RT}$		Reference voltage (top) by setting $V_{RB}$ to $AV_{SS}$ , outputs approximately 1.5V. Connect only a $0.1\mu F$ external by-pass capacitor for normal use. When another external voltage is input, it must be 2.2V or lower.
2, 3, 7, 28, 31	$AV_{SS}$		Analog GND.

**Pin Descriptions** (Continued)

PIN NO.	SYMBOL	EQUIVALENT CIRCUIT	DESCRIPTION
4	SEL		Switches the input of the 3x amplifier. When SEL is at Low level, $V_{IN1}$ is selected. When SEL is at High level, $V_{IN2}$ is selected.
5	$\overline{CE}$		Standby function ON/OFF selector. In standby state when High.
19	TEST		Fix to $V_{SS}$ for normal use.
6	$\overline{CLE}$		When $\overline{CLE}$ = Low: Clamp function is enabled. When $\overline{CLE}$ = High: Clamp function is disabled, and only the normal A/D converter function is enabled.
18	CLK		Clock Input.
20	CLP		Inputs the clamp pulse to Pin 20 (CLP). Clamps the High interval signal voltage.
8	DVSS		Digital GND.
9 to 16	D <sub>7</sub> to D <sub>0</sub>		D <sub>7</sub> (MSB) to D <sub>0</sub> (LSB) output. Outputs Low level in standby. In operation, the phase of D <sub>7</sub> to D <sub>0</sub> output is inverted against the phase of ADIN.
17	DVDD		5V or 3.3V
21	ADV		Short Pins 21 and 22, and connect 0.1 $\mu$ F external capacitor.
22	ADV		
24	V <sub>REF</sub>		Clamp reference voltage input. Clamps so that the reference voltage and the clamp interval ADIN input signal are equal. The reference voltage is more than 0.5V.

**Pin Descriptions** (Continued)

PIN NO.	SYMBOL	EQUIVALENT CIRCUIT	DESCRIPTION
25	V <sub>IN1</sub>		Amplifier input pin. Biased internal at 1.9V (when AV <sub>DD</sub> = 5V) or at 1.8V (when AV <sub>DD</sub> = 4.75V). When standby as well. When SEL is at Low level, V <sub>IN1</sub> is selected for input; when SEL is at High level, V <sub>IN2</sub> is selected for input.
27	V <sub>IN2</sub>		
26	AV <sub>DD</sub>		5V or 4.75V
29	ADIN		A/D converter block analog input.
30	OPO		Amplifier Output. The phase of this output is inverted against the phase of V <sub>IN1, 2</sub> . In standby mode, it becomes high-impedance output condition.
32	CCP		Integrates the clamp control voltage. The relationship between the CCP voltage variation and the ADIN voltage is positive phase.

The following table shows the status of the digital output pins when the TEST pin is used with the  $\overline{CE}$  and SEL pins.

TEST	CE	SEL	D1	D2	D3	D4	D5	D6	D7	D8
L	L	X	D1	D2	D3	D4	D5	D6	D7	D8
L	H	X	L	L	L	L	L	L	L	L
H	L	X	TEST MODE							
H	H	L	H	L	H	L	H	L	H	L
H	H	H	L	H	L	H	L	H	L	H

**Digital Output**

The following table shows the correlation between the ADIN input voltage and the digital output code. Take notice that the phase of ADIN input signal voltage is inverted against the phase of the digital output.

ADIN INPUT SIGNAL VOLTAGE	STEP	DIGITAL OUTPUT CODE							
		MSB				LSB			
V <sub>RT</sub>	0	0	0	0	0	0	0	0	0
•	•					•			
•	•					•			
•	•					•			
•	127	0	1	1	1	1	1	1	1
•	128	1	0	0	0	0	0	0	0
•	•					•			
•	•					•			
•	•					•			
V <sub>RB</sub>	255	1	1	1	1	1	1	1	1

# HI2301

## Absolute Maximum Ratings $T_A = 25^\circ\text{C}$

Supply Voltage ( $V_{DD}$ )	7V
Reference Voltage ( $V_{RT}, V_{RB}$ )	$V_{DD} - 0.5$ to $V_{SS} - 0.5$ V
Input Voltage, Analog ( $V_{IN}$ )	$V_{DD} - 0.5$ to $V_{SS} - 0.5$ V
Input Voltage, Digital ( $V_{IH}, V_{IL}$ )	$V_{DD} - 0.5$ to $V_{SS} - 0.5$ V
Output Voltage, Digital ( $V_{OH}, V_{OL}$ )	$V_{DD} - 0.5$ to $V_{SS} - 0.5$ V

## Operating Conditions

Supply Voltage ( $ DV_{SS} - AV_{SS} $ )	0 to 100mV
Single Power Supply ( $AV_{DD}, DV_{DD}$ )	$5.0 \pm 0.25$ V
Dual Power Supply ( $AV_{DD}$ )	$4.75 \pm 0.25$ V
( $DV_{DD}$ )	$3.3 \pm 0.3$ V
Reference Input Voltage ( $V_{RB}$ )	0V to 2.2V
( $V_{RT}$ )	0V to 2.2V
Analog Input (ADIN)	More than $1.2V_{P-P}$
Clock Pulse width, $t_{PW1}$	16ns (Min)
$t_{PW0}$	16ns (Min)
Temperature Range ( $T_{OPR}$ )	-20 to $75^\circ\text{C}$

CAUTION: Stresses above those listed in "Absolute Maximum Ratings" may cause permanent damage to the device. This is a stress only rating and operation of the device at these or any other conditions above those indicated in the operational sections of this specification is not implied.

## NOTE:

- $\theta_{JA}$  is measured with the component mounted on an evaluation PC board in free air.

## Electrical Specifications

Electrical Specifications; When using a single power supply ( $f_C = 30$  MSPS,  $AV_{DD} = DV_{DD} = +5$ V,  $V_{RB} = 0$ V,  $V_{RT} = 1.5$ V,  $T_A = 25^\circ\text{C}$ )

PARAMETER	SYMBOL	TEST CONDITIONS	MIN	TYP	MAX	UNITS	
Supply Current	$I_{AD} + I_{DD}$	$f_C = 35$ MSPS, NTSC Ramp Wave Input	-	27	35	mA	
Standby Supply Current	$I_{STB}$	$\overline{CE} = DV_{DD}$	-	130	200	$\mu\text{A}$	
Max Conversion Rate	$f_C$ Max	$V_{IN} = 0$ V to 1.5V, $f_{IN} = 1$ kHz Ramp	30	-	-	MSPS	
Min Conversion Rate	$f_C$ Min		-	-	0.5	MSPS	
ADIN Input Band (At -1dB)	BW		-	20	-	MHz	
ADIN Input Capacitance	$C_{ADIN}$	$V_{IN} = 0.75$ V + $0.07V_{RMS}$	-	8	-	pF	
Reference Resistance ( $V_{RT}$ to $V_{RB}$ )	$R_{REF}$		230	330	440	$\Omega$	
Self Bias	$V_{RT}$	$V_{RB} = AV_{SS}$	1.38	1.52	1.66	V	
Offset Voltage	EOT		-40	-20	0	mV	
	EOB		+25	+45	+65	mV	
Digital Input Voltage	$V_{IH}$		3.5	-	-	V	
	$V_{IL}$		-	-	0.5	V	
Digital Input Current	$I_{IH}$	$DV_{DD} = \text{Max}$	$V_{IH} = V_{DD}$	-	-	5	$\mu\text{A}$
	$I_{IL}$		$V_{IL} = 0$ V	-	-	5	$\mu\text{A}$
Digital Output Current	$I_{OH}$	$DV_{DD} = \text{Min}$	$V_{OH} = V_{DD} - 0.5$ V	-1.1	-2.5	-	mA
	$I_{OL}$		$V_{OL} = 0.4$ V	3.7	6.5	-	mA
Output Data Delay	$t_{DL}$	With TTL 1 Gate and 10pF Load	7	13	25	ns	
Integral Nonlinearity Error	$E_L$	$f_C = 30$ MSPS, $V_{IN} = 0$ V To 1.5V	-	+0.5	+1.3	LSB	
Differential Gain Error	DG	NTSC 40 IRE Mod Ramp, $f_C = 14.3$ MSPS	-	1	-	%	
Differential Phase Error	DP		-	0.5	-	Degrees	
Aperture Jitter	$t_{AJ}$		-	30	-	ps	
Sampling Delay	$t_{SD}$		-	2	-	ns	
Clamp Offset Voltage	EOC	$V_{ADIN} = \text{DC}$ $PWS = 3\mu$	$V_{REF} = 0.5$ V	0	+20	+40	mV
			$V_{REF} = 1.5$ V	-40	-20	0	mV

# HI2301

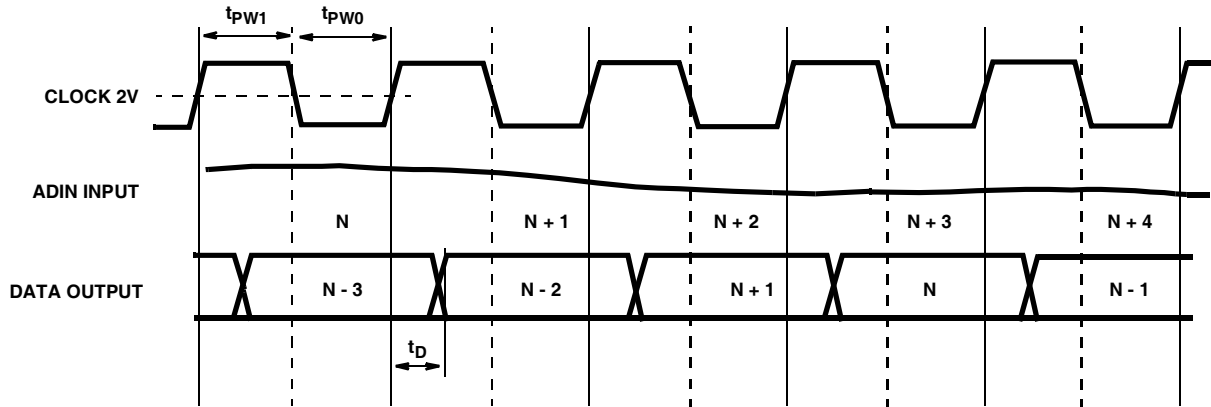
**Electrical Specifications** Electrical Specifications; When using a single power supply ( $f_C = 30$  MSPS,  $AV_{DD} = DV_{DD} = +5V$ ,  $V_{RB} = 0V$ ,  $V_{RT} = 1.5V$ ,  $T_A = 25^\circ C$ ) (Continued)

PARAMETER	SYMBOL	TEST CONDITIONS	MIN	TYP	MAX	UNITS
Clamp Pulse Delay	$t_{CPD}$		-	25	-	ns
Amplifier Gain		DC To 15MHz	8.5	9.5	10.5	dB
$V_{IN1}$ and $V_{IN2}$ Bias Voltage	$V_{BI1, 2}$	When Open	-	1.9	-	V
$V_{IN1}$ and $V_{IN2}$ Input Resistance	$R_{I1, 2}$		19	27	35	k $\Omega$
$V_{IN1}$ and $V_{IN2}$ Input Capacitance	$C_{I1, 2}$		-	15	-	pF

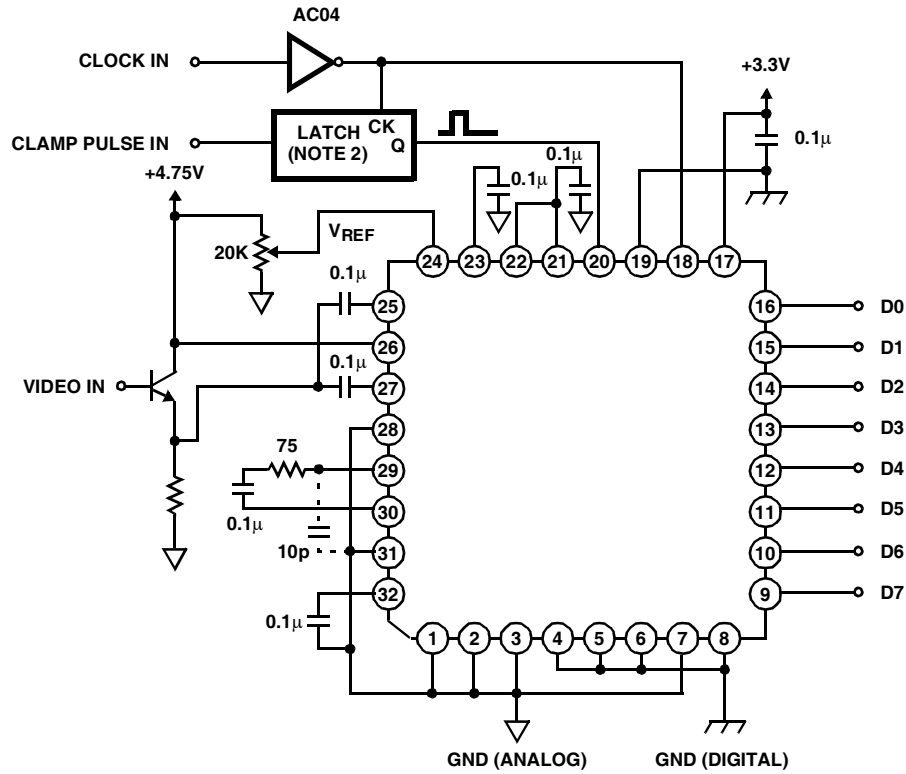
**Electrical Specifications** When Using a Dual Power Supply ( $f_C = 30$  MSPS,  $AV_{DD} = DV_{DD} = +5V$ ,  $V_{RT} = 1.5V$ ,  $V_{RT} = 1.5V$ ,  $T_A = 25^\circ C$ )

(2) When Using A Dual Power Supply $f_C = 30$ MSPS, $AV_{DD} = 4.75V$ , $DV_{DD} = 0V$ , $V_{RT} = 1.5V$ , $T_A = 25^\circ C$							
Analog Supply Current	$I_{AD}$	$f_C = 30$ MSPS, NTSC Ramp Wave Input		-	24	32	mA
Digital Supply Current	$I_{DD}$	$f_C = 30$ MSPS, NTSC Ramp Wave Input		-	1	2	mA
Standby Supply Current	$I_{STB}$	$\overline{CE} = DV_{DD}$		-	130	200	$\mu A$
Maximum Conversion Rate	$f_C$ Max	$V_{IN} = 0$ to $1.5V$		30	-	-	MSPS
Minimum Conversion Rate	$f_C$ Min	$f_{IN} = 1kHz$ Ramp		-	-	0.5	MSPS
ADIN Input Band (at -1dB)	BW			-	20	-	MHz
ADIN Input Capacitance	$C_{ADIN}$	$V_{IN} = 0.75V + 0.07V_{RMS}$		-	8	-	pF
Referenced Resistance ( $V_{RT}$ to $V_{RB}$ )	$R_{REF}$			230	330	440	$\Omega$
Self Bias	$V_{RT}$	$V_{RB} = AV_{SS}$		1.44	1.52	1.6	V
Offset Voltage	$E_{OT}$			-40	-20	0	mV
	$E_{OB}$			+25	+45	+65	mV
Digital Input Voltage	$V_{IH}$			2.5	-	-	V
	$V_{IL}$			-	-	0.5	V
Digital Input Current	$I_{IH}$	$DV_{DD} = \text{Max}$	$V_{IH} = DV_{DD}$	-	-	5	$\mu A$
	$I_{IL}$		$V_{IL} = 0V$	-	-	5	$\mu A$
Digital Output Current	$I_{OH}$	$DV_{DD} = \text{Min}$	$V_{OH} = V_{DD} - 0.5V$	-1.1	-2.5	-	mA
	$I_{OL}$		$V_{OL} = 0.4V$	3.7	6.5	-	mA
Output Data Delay	$t_{DL}$	With TTL 1 Gate and 10pF Load		7	13	25	ns
Integral Nonlinearity Error	$E_L$	$f_C = 30$ MSPS, $V_{IN} = 0$ to $1.5V$		-	+0.5	+1.3	LSB
Differential Nonlinearity Error	$E_D$	$f_C = 30$ MSPS, $V_{IN} = 0$ to $1.5V$		-	$\pm 0.3$	$\pm 0.5$	LSB
Differential Gain Error	DG	NTSC 40 IRE Mod Ramp, $f_C = 14.3$ MSPS		-	1	-	%
Differential Phase Error	DP			-	0.5	-	deg
Aperture Jitter	$t_{AJ}$			-	30	-	ps
Sampling delay	$t_{SD}$			-	2	-	ns
Clamp Offset Voltage	$E_{OC}$	$V_{IN} = \text{DC}$ $PWS = 3\mu s$	$V_{REF} = 0.5V$	0	+20	+40	mV
			$V_{REF} = 1.5V$	-40	-20	0	mV
Clamp Pulse Delay	$t_{CPD}$			-	25	-	ns
3x Amplifier Gain		DC to 15MHz		8.5	9.5	10.5	dB
$V_{IN1}$ and $V_{IN2}$ Bias Voltage	$V_{BI1, 2}$	When Open		-	1.8	-	V
$V_{IN1}$ and $V_{IN2}$ Input Resistance	$R_{I1, 2}$			19	27	35	k $\Omega$
$V_{IN1}$ and $V_{IN2}$ Input Capacitance	$C_{I1, 2}$			-	15	-	pF

**Timing Chart**



**Application Circuits**

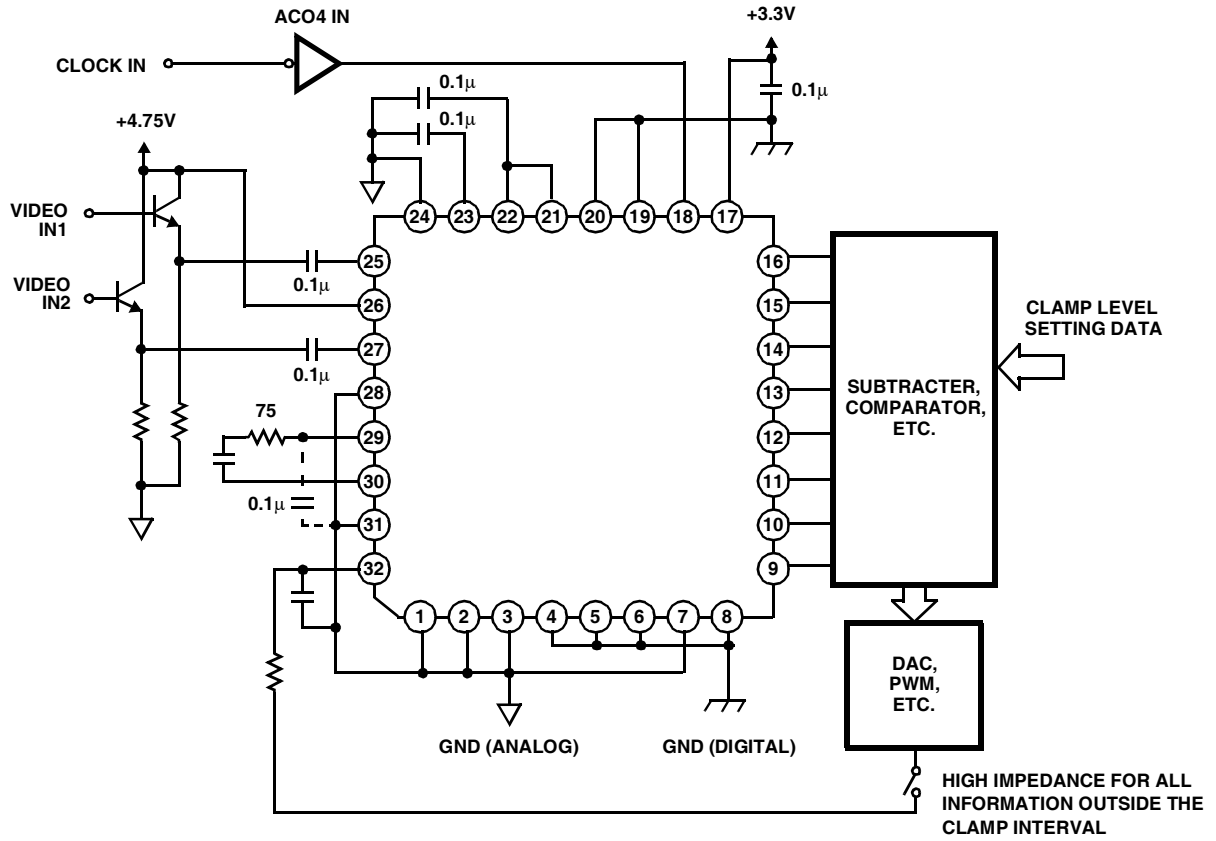


**NOTE:**

- Although the ADC sampling clock latches the clamp pulse, it is not needed for basic clamp operation. However, depending on the relationship between the sampling frequency and the clamp pulse frequency, a small beat might be generated as  $V_{SAG}$ . The latch circuit is valid at this time.

**FIGURE 1. CLAMP USAGE EXAMPLE (USING SELF BIAS, CIRCUIT WHEN USING THE INTERNAL AMPLIFIER)**

**Application Circuits** (Continued)



NOTES:

3. The relationship between the CCP voltage (Pin 32) variation and the ADIN voltage variation is position phase.
4.  $\Delta ADIN / \Delta V_{CCP} = 3.0$  ( $f_S = 30$  MSPS).

**FIGURE 2. DIGITAL CLAMP USAGE EXAMPLE (USING SELF BIAS), CIRCUIT WHEN USING THE INTERNAL AMPLIFIER**



**Application Circuits** (Continued)

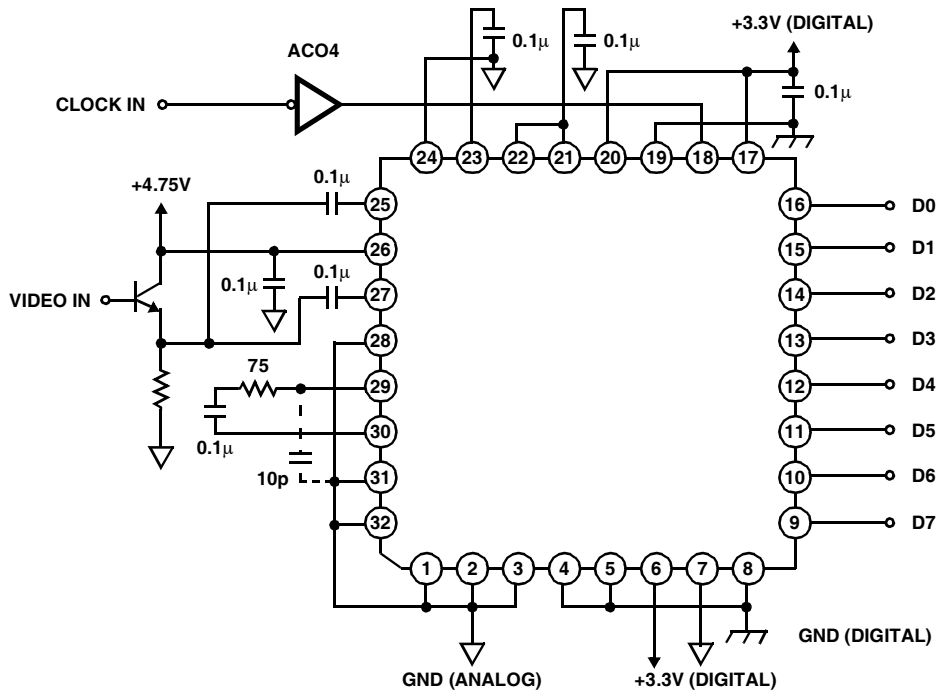
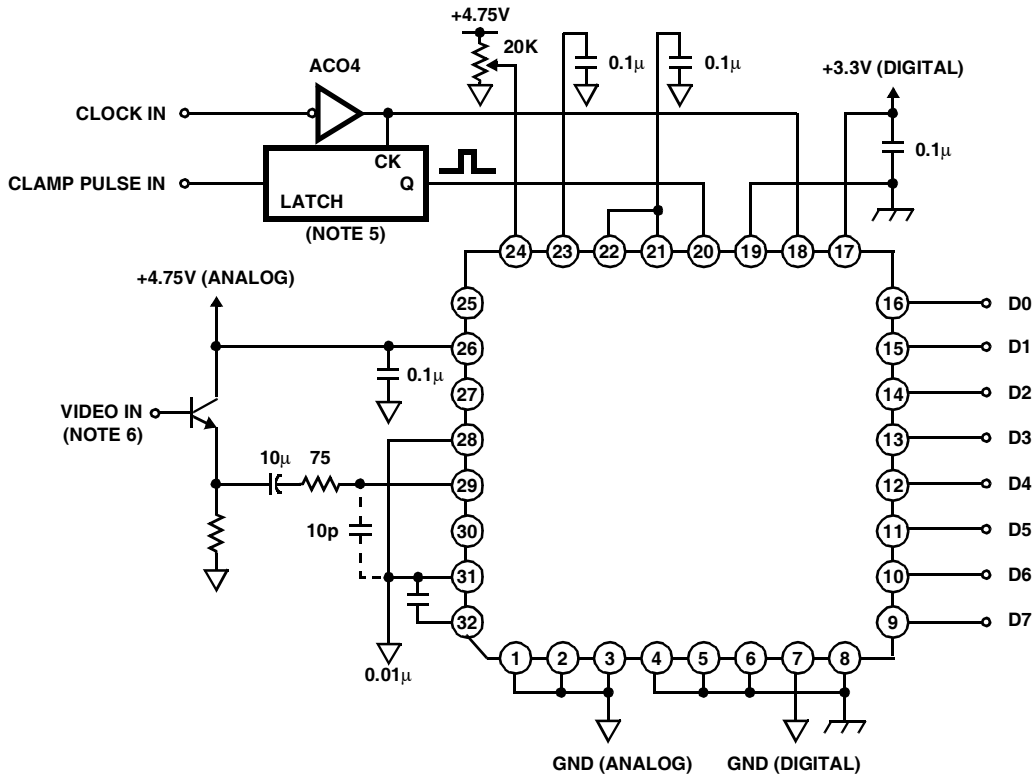


FIGURE 3. WHEN NOT USING THE CLAMP, CIRCUIT WHEN USING THE INTERNAL AMPLIFIER

**Application Circuits** (Continued)

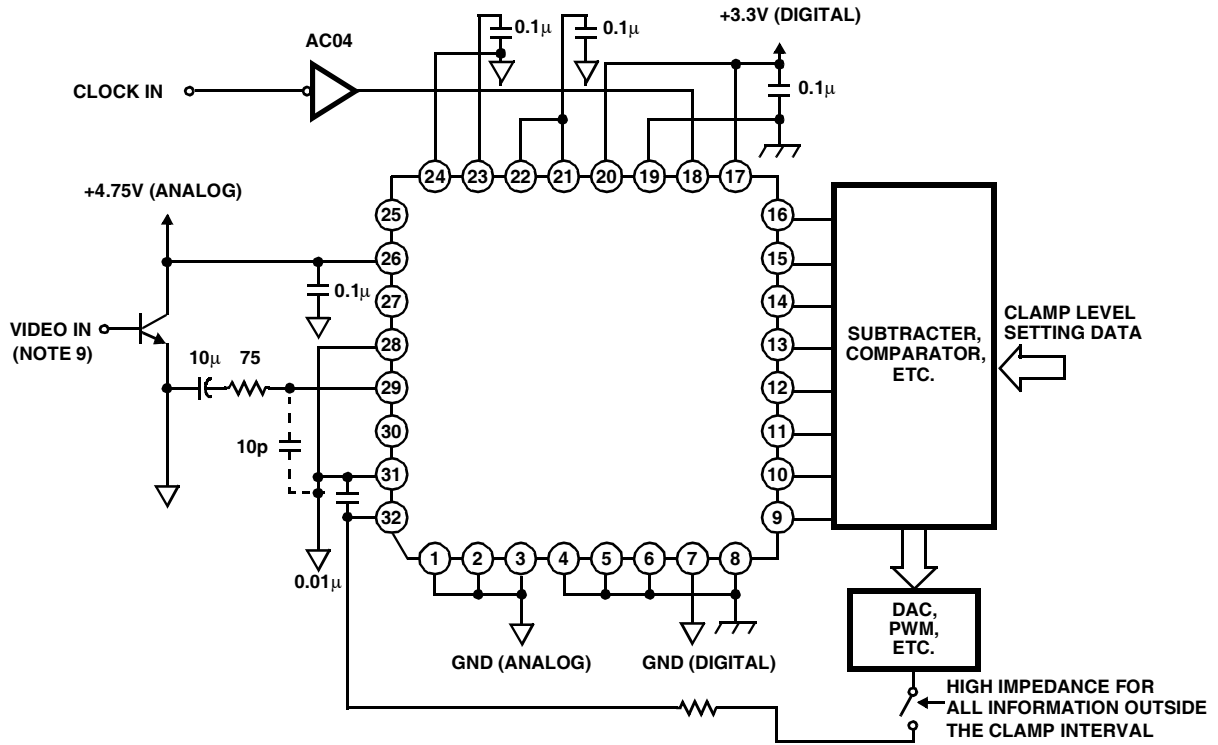


NOTES:

- 5. Although the ADC sampling clock latches the clamp pulse, it is not needed for basic clamp operation. However, depending on the relationship between the sampling frequency and the clamp pulse frequency, a small abeat might be generated as  $V_{SAG}$ . The latch circuit is valid at this time.
- 6. Take care that the phase of ADIN input is inverted against the phase of the digital output, because the use of the built-in inverting amplifier is standard. (Refer to "Digital Output".)

**FIGURE 4. CLAMP USAGE EXAMPLE WHEN NOT USING THE INTERNAL AMPLIFIER**

**Application Circuits** (Continued)

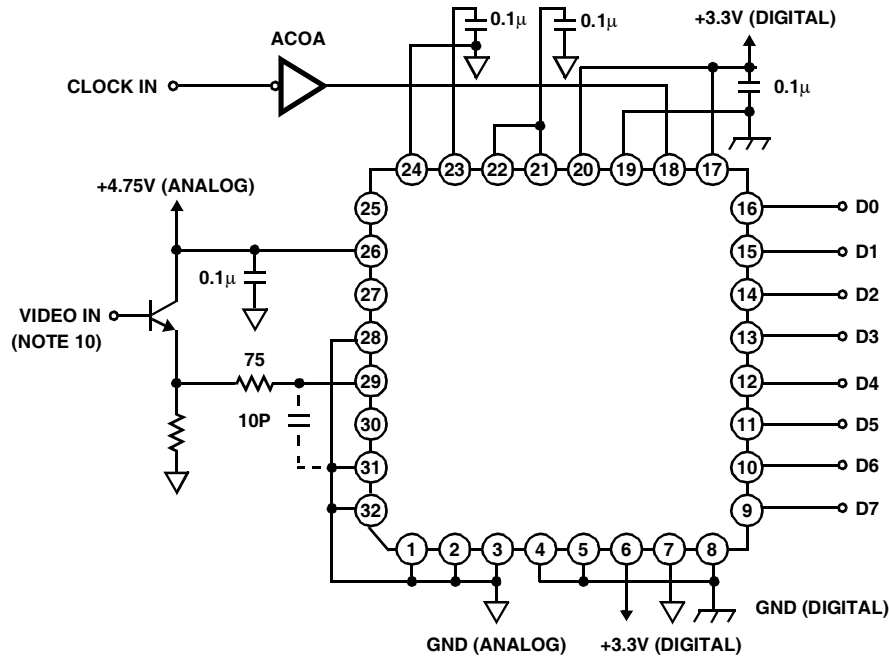


**NOTES:**

7. The relationship between the CCP voltage (Pin 32) variation and the ADIN voltage variation is positive phase.
8.  $\Delta V_{ADIN} / \Delta V_{CCP} = 3.0$  ( $f_S = 20$  MSPS).
9. Take care that the phase of ADIN input is inverted against the phase of the digital output, because the use of the built-in inverting amplifier is standard. (Refer to "Digital Output.")

**FIGURE 5. DIGITAL CLAMP USAGE EXAMPLE**

## Application Circuits (Continued)



NOTE:

- Take care that the phase of ADIN input is inverted against the phase of the digital output, because the use of the built-in inverting amplifier is standard. (Refer to "Digital Output".)

FIGURE 6. WHEN NOT USING THE CLAMP

## Typical Performance Curves

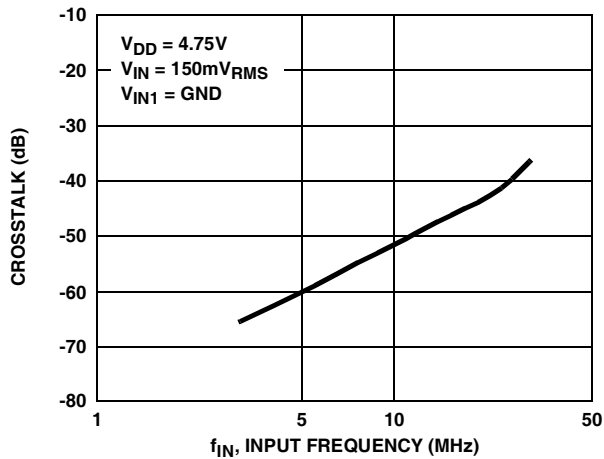


FIGURE 7. INPUT FREQUENCY OF  $V_{IN2}$  vs CROSSTALK  
 $V_{IN2} \rightarrow V_{IN1}$

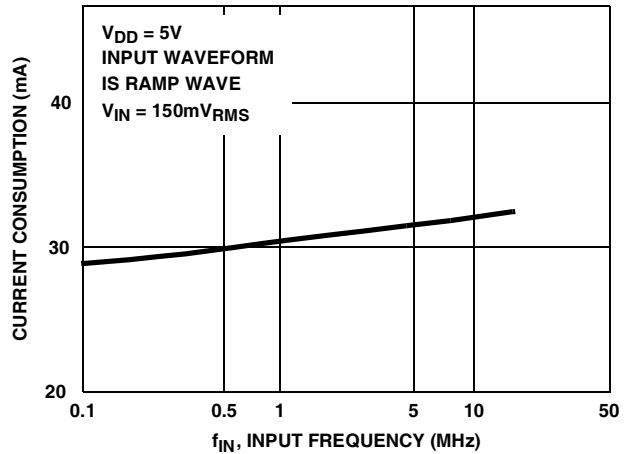


FIGURE 8. INPUT FREQUENCY vs CURRENT CONSUMPTION

## Typical Performance Curves

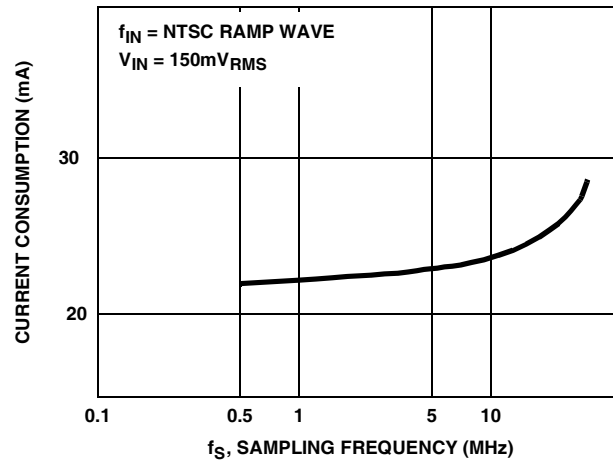


FIGURE 9. SAMPLING FREQUENCY vs CURRENT CONSUMPTION