

PRELIMINARY

April 1994

J1850 8-Bit 68HC05 Microcontroller 8K EEPROM Version

Features

- Direct Replacement for HIP7030A2/A8 Microcontrollers
 - All Hardware and Software Features
 - Equivalent Timing and Performance
- Memory
 - 176 Bytes of RAM
 - 7744 Bytes of Programmable EEPROM
 - 242 Bytes of Bootstrap Program
- Single 5V Supply
- 10MHz Operating Frequency (5.0MHz Internal Bus Frequency) at 5V.
- 28 Lead Small Outline Ceramic Package
 - Same Terminal Assignment as HIP7030A2 and HIP7030A8

Description

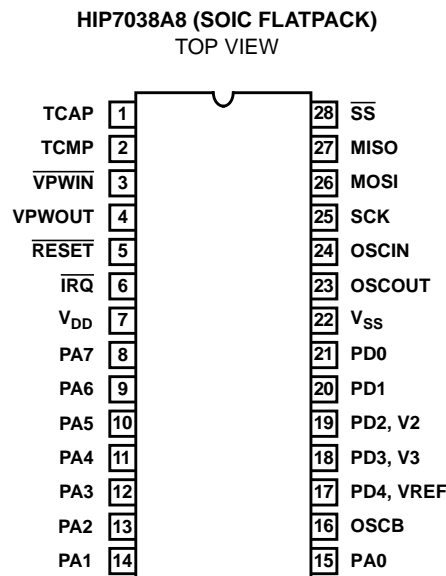
The HIP7038A8 HCMOS Microcomputer is an EEPROM version of the HIP7030A family of low-cost single-chip J1850 microcontrollers. These microcontrollers provide the system designer with a complete set of building blocks for implementing a "Class B" VPW multiplexed communications network interface, which fully complies with SAE Recommended Practice J1850. The HIP7038A8 contains all hardware and software features of the HIP7030A2/A8 microcontrollers with equivalent timing, performance characteristics, and an identical footprint.

The device can be programmed using the HIP7038A8 EEPROM Programmer available from Intersil. In-circuit Emulation Tools are also provided for system development.

Ordering Information

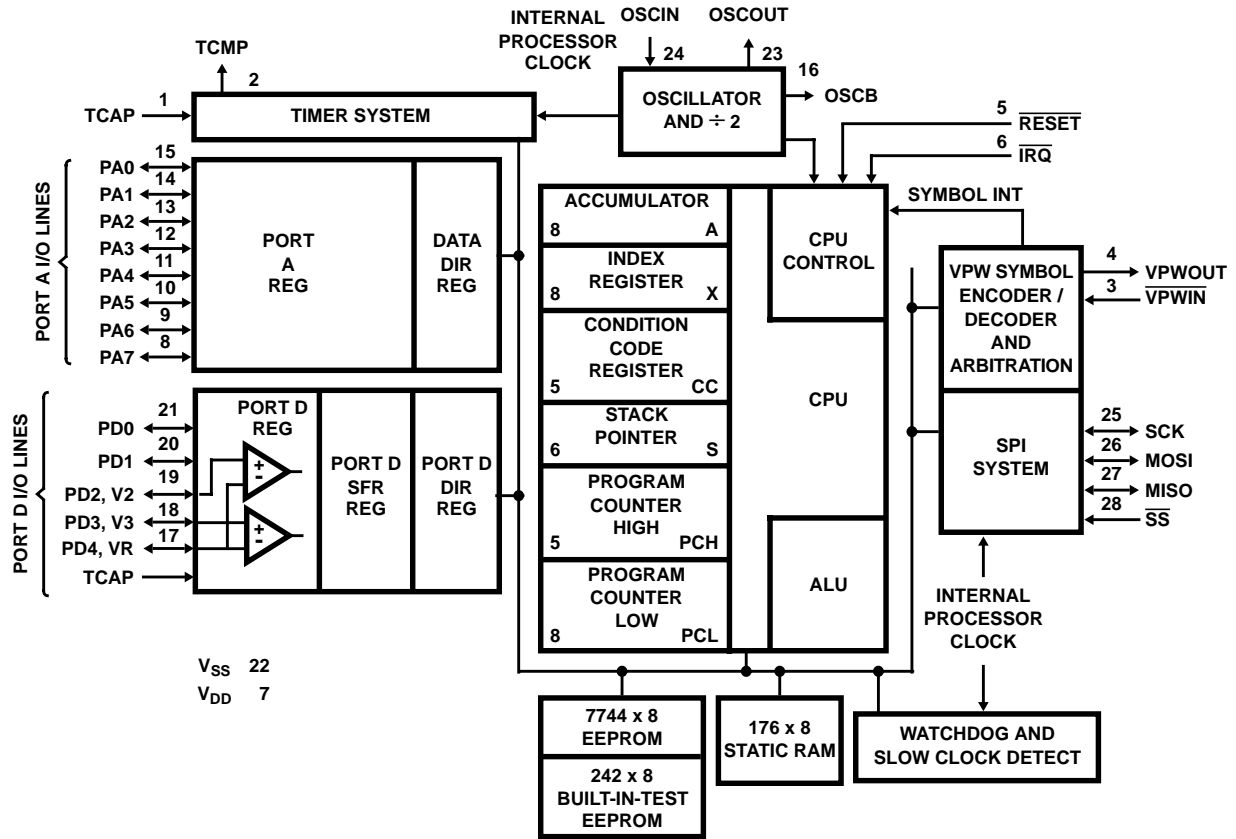
PART NUMBER	TEMPERATURE RANGE	PACKAGE
HIP7038A8F	-40°C to +85°C	28 Lead Ceramic SOIC

Pinout



HIP7038A8

Block Diagram



Specifications HIP7038A8

Absolute Maximum Ratings

Supply Voltage (V_{DD}) -0.3V to +6.0V
 Input or Output Voltage
 Pins with V_{DD} Diode -0.3V to $V_{DD} + 0.3V$
 Pins without V_{DD} Diode -0.3V to +10.0V
 Current Drain Per Pin, I (Excluding V_{DD} and V_{SS}) 25mA
 ESD Classification Class 2
 Gate Count 21000 Gates

Thermal Information

Operating Temperature Range (T_A) -40°C to +125°C
 Storage Temperature Range (T_{STG}) -65°C to +150°C
 Junction Temperature +150°C
 Lead Temperature (During Soldering) +265°C
 1/16in. ± 1/32in. (1.59 ± 0.79mm) from case for 10s Max.

CAUTION: Stresses above those listed in "Absolute Maximum Ratings" may cause permanent damage to the device. This is a stress only rating and operation of the device at these or any other conditions above those indicated in the operational sections of this specification is not implied.

Operating Conditions

Operating Voltage Range +4.5V to +5.5V
 Operating Temperature Range -40°C to +85°C
 Input Low Voltage 0V to +0.8V
 Input High Voltage (0.8• V_{DD}) to V_{DD}
 Input Rise and Fall Time
 CMOS Inputs 100ns Max.
 CMOS Schmitt Inputs Unlimited

DC Electrical Specifications $V_{DD} = 5V_{DC} \pm 10\%$, $V_{SS} = 0V_{DC}$, $T_A = -40^\circ\text{C}$ to $+85^\circ\text{C}$ Unless Otherwise Specified.

PARAMETERS	SYMBOL	CONDITIONS	MIN	TYP	MAX	UNITS
SUPPLY CURRENT						
RUN	I_{RUN}		-	50	-	mA
WAIT	I_{WAIT}		-	4	-	mA
STOP	I_{STOP}	$T_A = +25^\circ\text{C}$	-	100	-	μA
		$T_A = -40^\circ\text{C}$ to $+85^\circ\text{C}$	-	100	-	μA
Powerdown Input Voltage: RESET, IRQ, VPWIN, OSCIN	V_{INPD}	$V_{DD} = 0$	-0.3	-	9	V

NOTE:

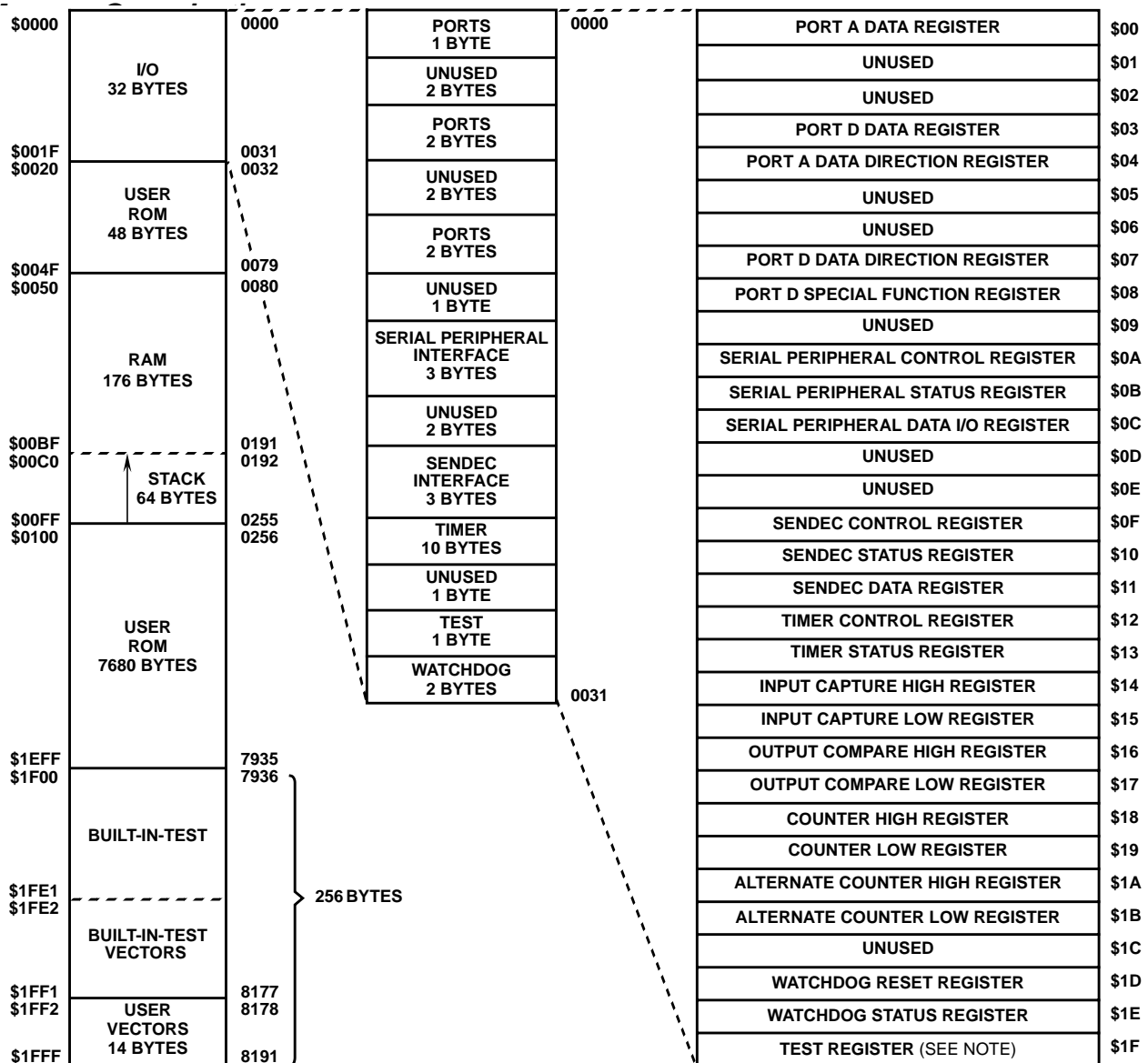
1. This device contains circuitry to protect the inputs against damage due to high static voltages of electric fields; however, it is advised that normal precautions be taken to avoid application of any voltage higher than maximum rated voltages to this high impedance circuit. For proper operation it is recommended that V_{IN} and V_{OUT} be constrained to the range $V_{SS} < (V_{IN} \text{ or } V_{OUT}) < V_{DD}$. Reliability of operation is enhanced if unused inputs except OSC2 are connected to an appropriate logic voltage level (e.g., either V_{SS} or V_{DD}).

Functional Description

The HIP7038A8 MCU is functionally identical to the HIP7030A2 and HIP7030A8 microcontrollers. The device differs only in that the on-board masked ROM has been replaced with EEPROM, which allows the device to be rapidly programmed by the user. For detailed information about the functions included on the HIP7038A8 refer to File Number 3646, the technical specification of the HIP7030A2 Microcontroller. Only differences are presented here.

The availability of the HIP7038A8 dramatically reduces the time-to-market of new products by providing the development engineer rapid feedback during the design phase of a HIP7030A2/8 project.

The EEPROM is reusable and can be reprogrammed up to 10⁴ times.



NOTE: Accessible in test mode only.

FIGURE 1. MEMORY MAP OF THE HIP7038A8

All Intersil semiconductor products are manufactured, assembled and tested under **ISO9000** quality systems certification.

Intersil products are sold by description only. Intersil Corporation reserves the right to make changes in circuit design and/or specifications at any time without notice. Accordingly, the reader is cautioned to verify that data sheets are current before placing orders. Information furnished by Intersil is believed to be accurate and reliable. However, no responsibility is assumed by Intersil or its subsidiaries for its use; nor for any infringements of patents or other rights of third parties which may result from its use. No license is granted by implication or otherwise under any patent or patent rights of Intersil or its subsidiaries.

For information regarding Intersil Corporation and its products, see web site <http://www.intersil.com>