

16 K × 4 High Speed CMOS SRAM

Introduction

The HM 65788 is a high speed CMOS static RAM organized as 16384 × 4 bits. It is manufactured using MHS's high performance CMOS technology.

Access times as fast as 15 ns are available with maximum power consumption of only 633 mW.

The HM 65788 features fully static operation requiring no external clocks or timing strobes. The automatic power-down feature reduces the power consumption by 60 % when the circuit is deselected.

Easy memory expansion is provided by an active low chip select (\overline{CS}) and three state drivers.

All inputs and outputs of the HM 65788 are TTL compatible and operate from single 5 V supply thus simplifying system design.

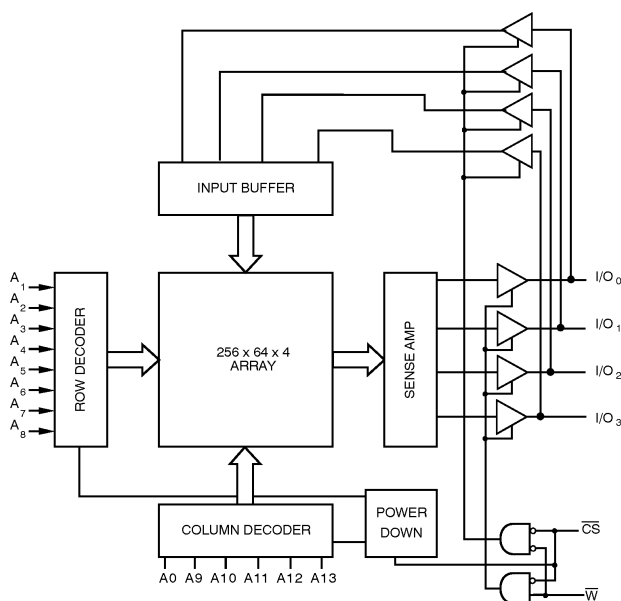
The HM 65788 is 100 % processed following the test methods of MIL STD 883 and/or ESA/SCC 9000 making it ideally suitable for military/space applications that demand superior levels of performance and reliability.

Features

- Fast access time
Commercial : 15/20/25/35/45 ns
Industrial/military : 20/25/35/45/55 ns
- Low power consumption
Active : 267 mW (typ)
Standby : 75 mW (typ)
- Wide temperature range :
-55°C to + 125°C
- 300 mils width package
- TTL compatible inputs and outputs
- Asynchronous
- Capable of withstanding greater than 2000 V electrostatic discharge
- Single 5 volt supply

Interface

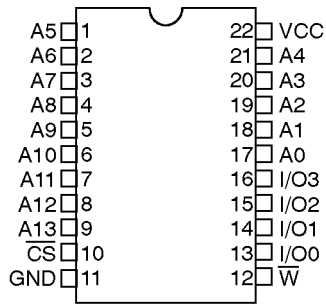
Block Diagram



HM 65788

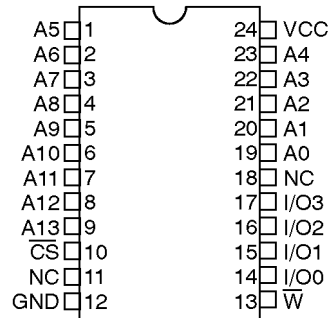
Pin Configuration

Plastic 300 mils, 22 pins, DIL
Ceramic 300 mils, 22 pins, DIL



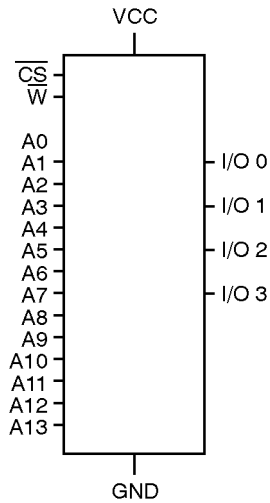
Pinout DIL 22 pins (top view)

SOIC & SOJ 300 mils, 24 pins



Pinout SOIC/SOJ 24 pins

Logic Symbol



Pin Names

A0–A13: Address inputs	GND : Ground
I/O0–I/O3 : Input/Outputs	\overline{CS} : Chip-Select
VCC : Power	\overline{W} : Write Enable

Truth Table

\overline{CS}	\overline{W}	DATA-IN	DATA-OUT	MODE
H	X	Z	Z	Deselect
L	H	Z	Valid	Read
L	L	Valid	Z	Write

Electrical Characteristics

Absolute Maximum Ratings

Supply voltage to GND potential : -0.5 V to +7.0 V
 DC input voltage : -0.3 V to +7.0 V
 DC output voltage in high Z state : -0.5 V to +7.0 V

Storage temperature : -65°C to +150°C
 Output current into outputs (low) : 20 mA
 Electro Static Discharge Voltage > 2001 V
 (MIL STD 883C METHOD 3015-2)

Operating Range

		OPERATING VOLTAGE	OPERATING TEMPERATURE
Military	(-2)	5 V ± 10 %	- 55°C to + 125°C
Industrial	(-9)	5 V ± 10 %	- 40°C to + 85°C
Commercial	(-5)	5 V ± 10 %	0°C to + 70°C

Recommended DC Operating Conditions

PARAMETER	DESCRIPTION	MINIMUM	TYPICAL	MAXIMUM	UNIT
Vcc	Supply Voltage	4.5	5.0	5.5	V
Gnd	Ground	0.0	0.0	0.0	V
VIL	Input low voltage	- 0.3	0.0	0.8	V
VIH	Input high voltage	2.2	-	VCC	V

Capacitance

PARAMETER	DESCRIPTION	MINIMUM	TYPICAL	MAXIMUM	UNIT
Cin (1)	Input capacitance	-	-	5	pF
Cout (1)	Output capacitance	-	-	7	pF

Note : 1. TA = 25°C, f = 1 MHz, Vcc = 5.0 V. These parameters are not 100 % tested.

DC Parameters

PARAMETER	DESCRIPTION	MINIMUM	TYPICAL	MAXIMUM	UNIT
IIX (2)	Input leakage current	- 10.0	-	10.0	µA
IOZ (3)	Output leakage current	- 10.0	-	10.0	µA
IOS (3)	Output short circuit current	-	-	- 350.0	mA
VOL (4)	Output low voltage	-	-	0.4	V
VOH (5)	Output high voltage	2.4	-	-	V

- Note :**
- Gnd < Vin < Vcc, Gnd < Vout < Vcc Output disabled.
 - Vcc = max, Vout = Gnd, duration of the short circuit should not exceed 30 seconds.
Not more than 1 output should be shorted at one time.
 - Vcc min, IOL = 8.0 mA.
 - Vcc min, IOH = -4.0 mA.

Consumption for Commercial (-5) Specification

SYMBOL	PARAMETER	65788 E-5	65788 F-5	65788 H-5	65788 K-5	65788 M-5	UNIT	VALUE
ICCSB (6)	Standby supply current	40	40	30	30	30	mA	max
ICCSB1 (7)	Standby supply current	20	20	20	20	20	mA	max
ICCOP (8)	Dynamic operating current	115	100	100	100	100	mA	max

Consumption for Industrial (-9) and Military (-2) Specification

SYMBOL	PARAMETER	65788 F-9/-2	65788 H-9/-2	65788 K-9/-2	65788 M-9/-2	65788 N-9/-2	UNIT	VALUE
ICCSB (6)	Standby supply current	40	40	30	30	30	mA	max
ICCSB1 (7)	Standby supply current	20	20	20	20	20	mA	max
ICCOP (8)	Dynamic operating current	115	100	100	100	100	mA	max

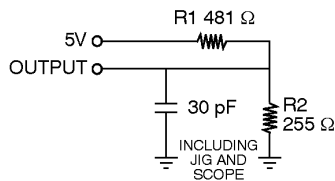
- Note :**
- $\overline{CS} \geq V_{IH}$ min duty cycle = 100 %, a pull-up resistor to V_{cc} on the CS input is required to keep the device deselected during V_{cc} power-up otherwise ICCSB will exceed values above.
 - $\overline{CS} = V_{cc} - 0.3 V$ $I_{out} = 0 mA$.
 - V_{cc} max, Output current = 0 mA, $f = \text{max}$, $V_{in} = V_{cc}$ or Gnd.

AC Parameters

AC Conditions

Input pulse levels : Gnd to 3.0 V Input timing reference levels : 1.5 V
 Input rise : 5 ns Output loading IOL/IOH (see figure 1a) : +30 pF

AC Test Loads and Waveforms



**Figure 1
a**

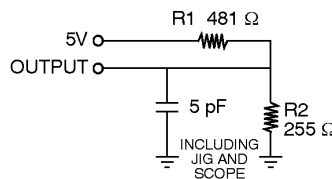


Figure 1 b

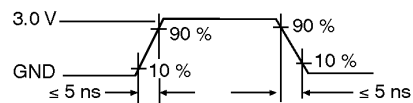
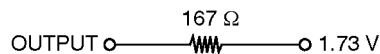


Figure 2

Equivalent to : THEVENIN EQUIVALENT



Write Cycle : Commercial (-5) Specification

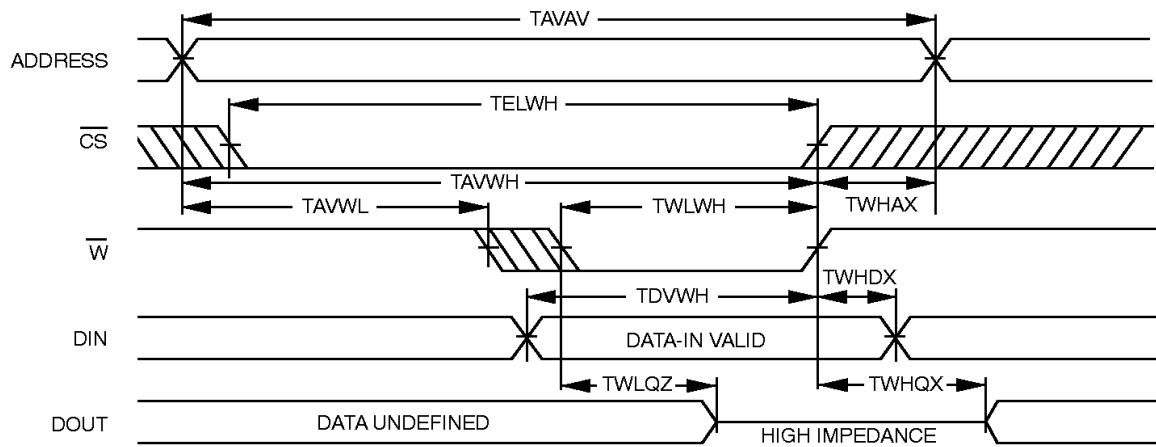
SYMBOL	PARAMETER	65788 E-5	65788 F-5	65788 H-5	65788 K-5	65788 M-5	UNIT	VALUE
TAVAV	Write cycle time	15	20	20	25	40	ns	min
TAVWL	Address set-up time	0	0	0	0	0	ns	min
TAVWH	Address valid to end to write	12	15	20	25	30	ns	min
TDVWH	Data set-up time	10	10	10	15	15	ns	min
TELWH	\overline{CS} low to write end	12	15	20	25	30	ns	min
TWLQZ(9)	Write low to high Z	7	7	7	10	15	ns	max
TWLWH	Write pulse width	12	15	15	20	20	ns	min
TWHAX	Address hold to end of write	0	0	0	0	0	ns	min
TWHDX	Data hold time	0	0	0	0	0	ns	min
TWHQX (8)	Write high to low Z	5	5	5	5	5	ns	min

Write Cycle : Industrial (-9) and Military (-2) Specification

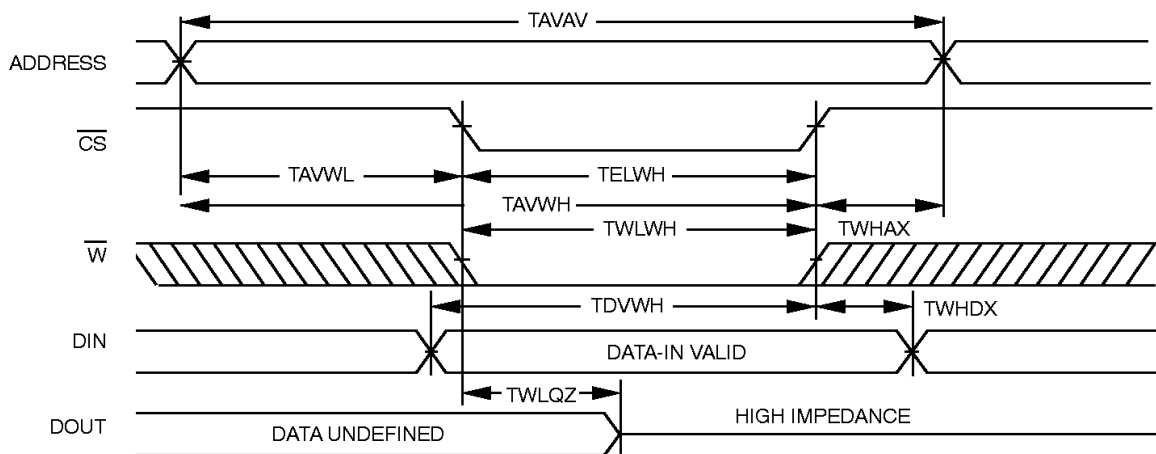
SYMBOL	PARAMETER	65788 F-9/2	65788 H-9/2	65788 K-9/2	65788 M-9/2	65788 N-9/2	UNIT	VALUE
TAVAV	Write cycle time	20	20	25	40	50	ns	min
TAVWL	Address set-up time	0	0	0	0	0	ns	min
TAVWH	Address valid to end to write	15	20	25	30	40	ns	min
TDVWH	Data set-up time	10	10	15	15	20	ns	min
TELWH	\overline{CS} low to write end	15	20	25	30	40	ns	min
TWLQZ(8)	Write low to high Z	7	7	10	15	25	ns	max
TWLWH	Write pulse width	15	15	20	20	30	ns	min
TWHAX	Address hold to end of write	0	0	0	0	0	ns	min
TWHDX	Data hold time	0	0	0	0	0	ns	min
TWHQX (8)	Write high to low Z	5	5	5	5	5	ns	min

Note : 8. The data input set-up and hold timing should be referenced to the rising edge of the signal that terminates the write.

Write Cycle 1 \overline{W} Controlled (note 9)



Write Cycle 2 \overline{CS} controlled (note 9)



Note : 9. The internal write time of the memory is defined by the overlap of \overline{CS} LOW and \overline{W} LOW. Both signals must be LOW to initiate a write and either signal can terminate a write by going HIGH. The data input setup and hold timing should be referenced to the rising edge of the signal that terminates the write.

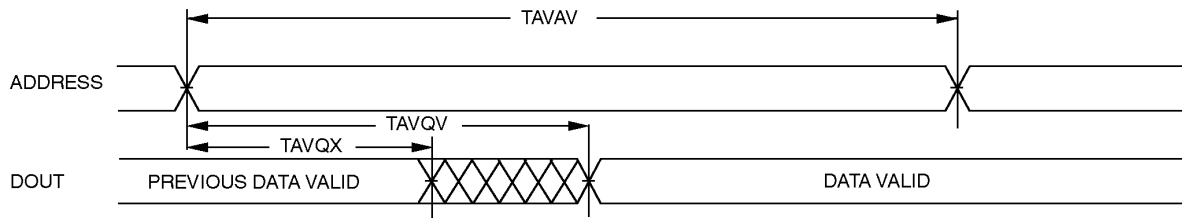
Read Cycle : Commercial (-5) Specification

SYMBOL	PARAMETER	65788 E-5	65788 F-5	65788 H-5	65788 K-5	65788 M-5	UNIT	VALUE
TAVAV	Read cycle time	15	20	25	35	45	ns	min
TAVQV	Address access time	15	20	25	35	45	ns	max
TAVQX	Address valid to low Z	3	3	3	3	3	ns	min
TELQV	Chip-select access time	15	20	25	35	45	ns	max
TELQX	\overline{CS} low to low Z	5	5	5	5	5	ns	min
TEHQZ	\overline{CS} high to high Z	8	8	10	15	15	ns	max
TELIC	\overline{CS} low to power up	0	0	0	0	0	ns	min
TEHICL	\overline{CS} high to power down	15	20	20	20	25	ns	max

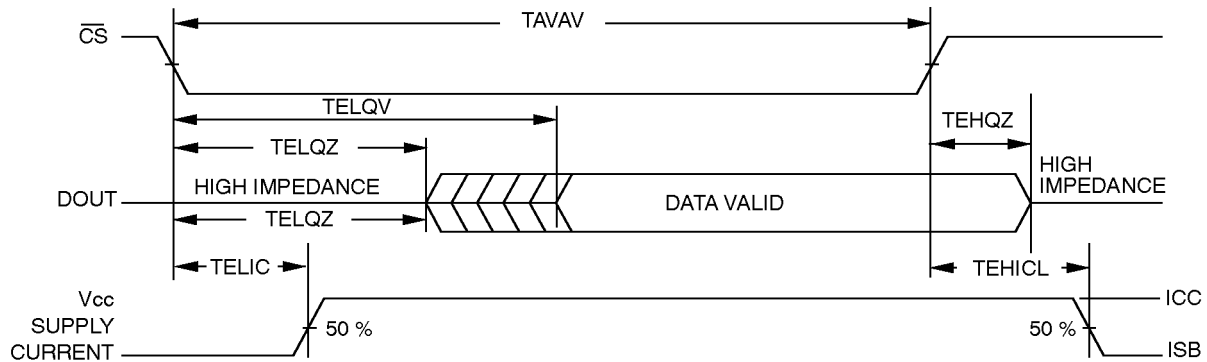
Read Cycle : Industrial (-9) and Military (-2) Specification

SYMBOL	PARAMETER	65788 F-9/2	65788 H-9/2	65788 K-9/2	65788 M-9/2	65788 N-9/2	UNIT	VALUE
TAVAV	Read cycle time	20	25	35	45	55	ns	min
TAVQV	Address access time	20	25	35	45	55	ns	max
TAVQX	Address valid to low Z	3	3	3	3	3	ns	min
TELQV	Chip-select access time	20	25	35	45	55	ns	max
TELQX	\overline{CS} low to low Z	5	5	5	5	5	ns	min
TEHQZ	\overline{CS} high to high Z	8	10	15	15	20	ns	max
TELIC	\overline{CS} low to power up	0	0	0	0	0	ns	min
TEHICL	\overline{CS} high to power down	20	20	20	25	25	ns	max

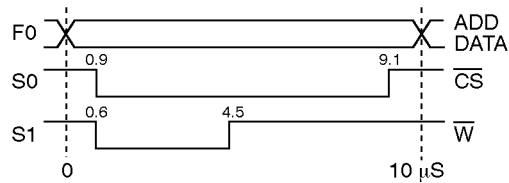
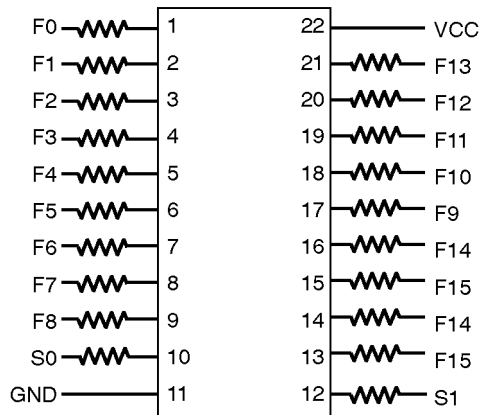
Read Cycle nb 1



Read Cycle nb 2



Burn-In Schematics



VCC = 5 V (-0, +0.5)

R = 1 KΩ per pin

FO = 91.6 KHz ± 20 %

F_n = 1/2 F_{n-1}

S0 & S1 : programmable signals for write/read cycles

NC = Non connected.

Ordering Information

PACKAGE	DEVICE TYPE	GRADE	LEVEL
HM	3	65788	F
			-5 : R
		16 K × 4 High speed static RAM	
0 – Chip form 1 – Ceramic 22 pins 300 mils 3 – Plastic 22 pins 300 mils T – SOIC 24 pins 300 mils U – SOJ 24 pins 300 mils		E = 15 ns F = 20 ns H = 25 ns K = 35 ns M = 45 ns N = 55 ns	-2 : Military -5 : Commercial -6 : 100% 25°C Probe -9 : Industrial /883 : MIL STD 883 Class B or S DB : Dice Military program R : Tape & Reel option RD : Tape & Reel/Dry pack option D : Dry pack option

The information contained herein is subject to change without notice. No responsibility is assumed by MATRA MHS SA for using this publication and/or circuits described herein : nor for any possible infringements of patents or other rights of third parties which may result from its use.