

December 1999

**OBSOLETE PRODUCT
FOR A POSSIBLE SUBSTITUTE PRODUCT**
 contact our Technical Support Center at
 1-888-INTERSIL or www.intersil.com/tsc

16 x 16-Bit CMOS Parallel Multiplier

Features

- This Circuit is Processed in Accordance to MIL-STD-883 and is Fully Conformant Under the Provisions of Paragraph 1.2.1.
- 16 x 16-Bit Parallel Multiplier with Full 32-Bit Product
- High-Speed (45ns) Clocked Multiply Time
- Low Power CMOS Operation
 - $I_{CCSB} = 500\mu A$ Maximum
 - $I_{CCOP} = 7.0mA$ Maximum at 1MHz
- HMU17/883 is Compatible with the AM29517, LMU17, IDT7217, and the CY7C517
- Supports Two's Complement, Unsigned Magnitude and Mixed Mode Multiplication
- TTL Compatible Inputs/Outputs
 - Three-State Output

Ordering Information

PART NUMBER	TEMP. RANGE (°C)	PACKAGE
HMU17GM-45/883	-55 to 125	68 Ld PGA
HMU17GM-60/883	-55 to 125	68 Ld PGA

Description

The HMU17/883 is a high speed, low power CMOS 16 x 16-bit parallel multiplier ideal for fast, real time digital signal processing applications. The 16-bit X and Y operands may be independently specified as either two's complement or unsigned magnitude format, thereby allowing mixed mode multiplication operations.

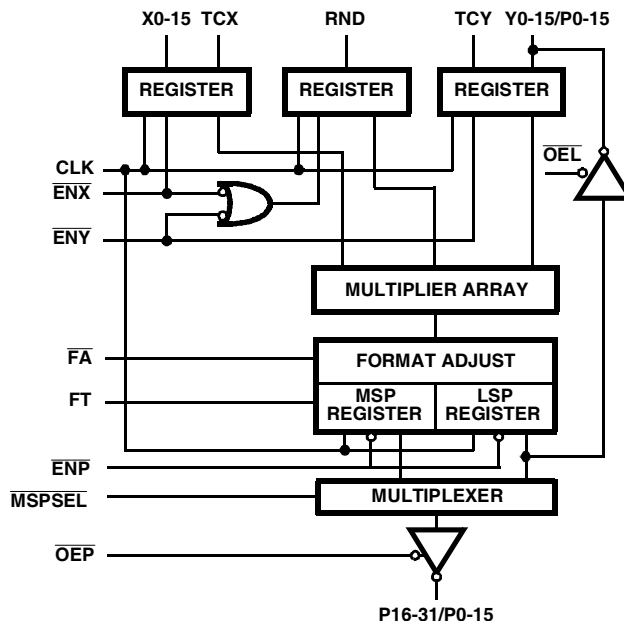
Additional inputs are provided to accommodate format adjustment and rounding of the 32-bit product. The Format Adjust control allows the user the option of selecting a 31-bit product with the sign bit replicated LSP. The Round control is provided to accommodate rounding of the most significant portion of the result. This is accomplished by adding one to the most significant bit of the LSP.

Two 16-bit output registers (MSP and LSP) are provided to hold the most and least significant portions of the result, respectively. These registers may be made transparent for asynchronous operation through the use of the Feedthrough Control (FT). The two halves of the product may be routed to a single 16-bit three-state output port via the output multiplexer control, and in addition, the LSP is connected to the Y-input port through a separate three-state buffer.

The HMU17/883 utilizes a single clock signal (CLK) along with three register enables (\overline{ENX} , \overline{ENY} , and \overline{ENP}) to latch the input operands and the output product registers. The \overline{ENX} and \overline{ENY} inputs enable the X and Y input registers, while \overline{ENP} enables both the LSP and MSP output registers. This configuration facilitates the use of the HMU17/883 for micro-programmed systems.

All outputs of the HMU17/883 also offer three-state control for multiplexing onto multiuse system busses.

Functional Block Diagram



Absolute Maximum Ratings

Supply Voltage 8.0V
 Input or Output Voltage Applied GND 0.5V to V_{CC} +0.5V
 ESD Rating Class 1

Operating Conditions

Voltage Range 4.5V to 5.5V
 Temperature Range -55°C to 125°C

Thermal Information

Thermal Resistance (Typical, Note 1) θ_{JA} (°C/W) θ_{JC} (°C/W)
 PGA Package 42.69 10.0
 Maximum Package Power Dissipation at 125
 PGA Package 1.17
 Maximum Junction Temperature 175°C
 Maximum Storage Temperature Range -65°C to 150°C
 Maximum Lead Temperature (Soldering 10s). 300°C

Die Characteristics

Number of Gates 4,500

CAUTION: Stresses above those listed in "Absolute Maximum Ratings" may cause permanent damage to the device. This is a stress only rating and operation of the device at these or any other conditions above those indicated in the operational sections of this specification is not implied.

NOTE:

1. θ_{JA} is measured with the component mounted on an evaluation PC board in free air.

TABLE 1. DC ELECTRICAL PERFORMANCE SPECIFICATIONS

PARAMETER	SYMBOL	TEST CONDITIONS	GROUP A SUBGROUPS	TEMPERATURE (°C)	MIN	MAX	UNITS
Logical One Input Voltage	V _{IH}	V _{CC} = 5.5V	1, 2, 3	-55 ≤ T _A ≤ 125	2.2	-	V
Logical Zero Input Voltage	V _{IL}	V _{CC} = 4.5V	1, 2, 3	-55 ≤ T _A ≤ 125	-	0.8	V
Output HIGH Voltage	V _{OH}	I _{OH} = 400µA V _{CC} = 4.5V (Note 2)	1, 2, 3	-55 ≤ T _A ≤ 125	2.6	-	V
Output LOW Voltage	V _{OL}	I _{OL} = +4.0mA V _{CC} = 4.5V (Note 2)	1, 2, 3	-55 ≤ T _A ≤ 125	-	0.4	V
Input Leakage Current	I _I	V _{IN} = V _{CC} or GND V _{CC} = 5.5V	1, 2, 3	-55 ≤ T _A ≤ 125	-10	+10	µA
Output or I/O Leakage Current	I _O	V _{OUT} = V _{CC} or GND V _{CC} = 5.5V	1, 2, 3	-55 ≤ T _A ≤ 125	-10	+10	µA
Standby Power Supply Current	I _{CCSB}	V _{IN} = V _{CC} or GND, V _{CC} = 5.5V, Outputs Open	1, 2, 3	-55 ≤ T _A ≤ 125	-	500	µA
Operating Power Supply Current	I _{CCOP}	f = 1.0 MHz, V _{IN} = V _{CC} or GND V _{CC} = 5.5V (Note 3)	1, 2, 3	-55 ≤ T _A ≤ 125	-	7.0	mA
Functional Test	FT	(Note 4)	7, 8	-55 ≤ T _A ≤ 125	-	-	

NOTES:

2. Interchanging of force and sense conditions is permitted.
3. Operating Supply Current is proportional to frequency, typical rating is 5mA/MHz.
4. Tested as follows: f = 1MHz, V_{IH} (Clock Inputs) = 3.0, V_{IH} (All other inputs) = 2.6, V_{IL} = 0.4, V_{OH} ≥ 1.5V, and V_{OL} ≤ 1.5V.

TABLE 2. AC ELECTRICAL PERFORMANCE SPECIFICATIONS

Device Guaranteed and 100% Tested

PARAMETER	SYMBOL	(NOTE 1) CONDITIONS	GROUP A SUB-GROUPS	TEMPERATURE (°C)	-45		-60		UNITS
					MIN	MAX	MIN	MAX	
Unclocked Multiply Time	t _{MUC}		9, 10, 11	-55 ≤ T _A ≤ 125	-	70	-	90	ns
Clocked Multiply Time	t _{MC}		9, 10, 11	-55 ≤ T _A ≤ 125	-	45	-	60	ns
X, Y, RND Setup Time	t _S		9, 10, 11	-55 ≤ T _A ≤ 125	18	-	20	-	ns
Clock HIGH Pulse Width	t _{PWH}		9, 10, 11	-55 ≤ T _A ≤ 125	15	-	20	-	ns
Clock LOW Pulse Width	t _{PWL}		9, 10, 11	-55 ≤ T _A ≤ 125	15	-	20	-	ns
MSPSEL to Product Out	t _{PDSEL}		9, 10, 11	-55 ≤ T _A ≤ 125	-	25	-	30	ns
Output Clock to P	t _{PDP}		9, 10, 11	-55 ≤ T _A ≤ 125	-	25	-	30	ns
Output Clock to Y	t _{PDY}		9, 10, 11	-55 ≤ T _A ≤ 125	-	25	-	30	ns
Three-State Enable Time	t _{ENA}	(Note 6)	9, 10, 11	-55 ≤ T _A ≤ 125	-	25	-	30	ns
Clock Enable Setup	t _{SE}		9, 10, 11	-55 ≤ T _A ≤ 125	15	-	15	-	ns

NOTES:

- AC Testing as follows: V_{CC} = 4.5V and 5.5V. Input levels 0V and 3.0V; Timing reference levels = 1.5V; output load per test load circuit, with V₁ = 2.4V, R₁ = 500Ω and C_L = 40pF.
- Transition is measured at ±200mV from steady state voltage, output loading per test load circuit, with V₁ = 1.5V, R₁ = 500Ω and C_L = 40pF.

TABLE 3. ELECTRICAL PERFORMANCE SPECIFICATIONS

PARAMETER	SYMBOL	CONDITIONS	NOTES	TEMPERATURE (°C)	-45		-60		UNITS
					MIN	MAX	MIN	MAX	
Input Capacitance	C _{IN}	V _{CC} = Open, f = 1MHz All Measurements are referenced to device GND.	7	T _A = 25	-	15	-	15	pF
Output Capacitance	C _{OUT}		7	T _A = 25	-	10	-	10	pF
I/O Capacitance	C _{I/O}		7	T _A = 25	-	10	-	10	pF
X, Y, RND Hold Time	t _H		7, 8	-55 ≤ T _A ≤ 125	3	-	3	-	ns
Three-State Disable Time	t _{DIS}		7, 8, 9	-55 ≤ T _A ≤ 125	-	25	-	30	ns
Clock Enable Hold Time	t _{HE}		7, 8, 9	-55 ≤ T _A ≤ 125	3	-	3	-	ns
Output Rise Time	t _R	From 0.8V to 2.0V	7, 8, 10	-55 ≤ T _A ≤ 125	-	10	-	10	ns
Output Fall Time	t _F	From 2.0V to 0.8V	7, 8, 10	-55 ≤ T _A ≤ 125	-	10	-	10	ns

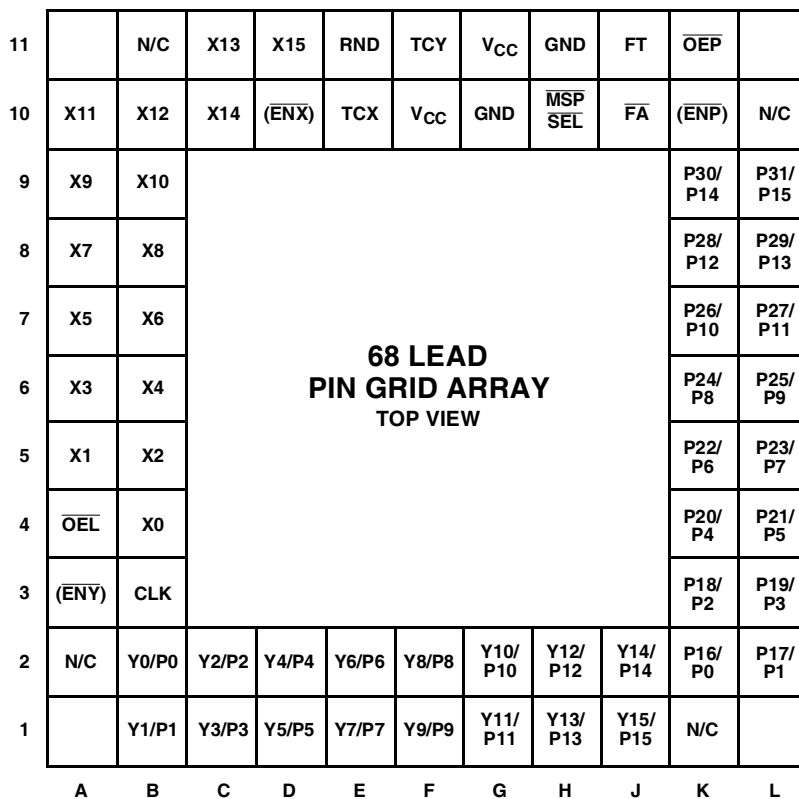
NOTES:

- The parameters listed in Table 3 are controlled via design or process parameters and are not directly tested. These parameters are characterized upon initial design and after major process and/or design changes.
- Guaranteed, but not 100% tested.
- Transition is measured at ±200mV from steady state voltage; output loading per test load circuit; with V₁ = 1.5V, R₁ = 500Ω and C_L = 40pF.
- Loading is as specified in the test load circuit, with V₁ = 2.4V, R₁ = 500Ω and C_L = 40pF.

TABLE 4. APPLICABLE SUBGROUPS

CONFORMANCE GROUPS	METHOD	SUBGROUPS
Initial Test	100%/5004	-
Interim Test	100%/5004	-
PDA	100%	1
Final Test	100%	2, 3, 8A, 8B, 10, 11
Group A	-	1, 2, 3, 7, 8A, 8B, 9, 10, 11
Groups C & D	Samples/5005	1, 7, 9

Burn-In Circuit



PGA PIN	PIN NAME	BURN-IN SIGNAL	PGA PIN	PIN NAME	BURN-IN SIGNAL	PGA PIN	PIN NAME	BURN-IN SIGNAL	PGA PIN	PIN NAME	BURN-IN SIGNAL
B6	X4	F6	F1	Y9/P9	F11	K7	P10/P26	V _{CC} /2	E11	RND	F1
A6	X3	F5	G2	Y10/P10	F12	L7	P11/P27	V _{CC} /2	D10	ENX	F0
B5	X2	F4	G1	Y11/P11	F13	K8	P12/P28	V _{CC} /2	D11	X15	F3
A5	X1	F3	H2	Y12/P12	F14	L8	P13/P29	V _{CC} /2	C10	X14	F2
B4	X0	F2	H1	Y13/P13	F15	K9	P14/P30	V _{CC} /2	C11	X13	F15
A4	$\overline{\text{OEL}}$	V _{CC}	J2	Y14/P14	F4	L9	P15/P31	V _{CC} /2	B10	X12	F14
B3	CLK	F0	J1	Y15/P15	F5	K10	$\overline{\text{ENP}}$	F0	A10	X11	F13
A3	$\overline{\text{ENY}}$	F0	K2	P0/P16	V _{CC} /2	K11	$\overline{\text{OEP}}$	F1	B9	X10	F12
B2	Y0/P0	F2	L2	P1/P17	V _{CC} /2	J10	$\overline{\text{FA}}$	F14	A9	X9	F11
B1	Y1/P1	F3	K3	P2/P18	V _{CC} /2	J11	FT	F15	B8	X8	F10
C2	Y2/P2	F4	L3	P3/P19	V _{CC} /2	H10	$\overline{\text{MSPSEL}}$	F14	A8	X7	F9
C1	Y3/P3	F5	K4	P4/P20	V _{CC} /2	H11	GND	GND	B7	X6	F8
D2	Y4/P4	F6	L4	P5/P21	V _{CC} /2	G10	GND	GND	A7	X5	F7
D1	Y5/P5	F7	K5	P6/P22	V _{CC} /2	G11	V _{CC}	V _{CC}	A2	N.C.	NONE
E2	Y6/P6	F8	L5	P7/P23	V _{CC} /2	F10	V _{CC}	V _{CC}	K1	N.C.	NONE
E1	Y7/P7	F9	K6	P8/P24	V _{CC} /2	F11	TCY	F15	L10	N.C.	NONE
F2	Y8/P8	F10	L6	P9/P25	V _{CC} /2	E10	TCX	F15	B11	N.C.	NONE

NOTES:

11. V_{CC} = 5.0V +0.5V/-0.0V with 0.1μF decoupling capacitor to GND.
12. F₀ = 100kHz, F₁ = F₀/2, F₂ = F₁/2,
13. V_{IH} = V_{CC} 1V ±0.5V (Min), V_{IL} = 0.8V (Max).
14. 47kΩ load resistors used on all pins except V_{CC} and GND (Pin Grid identifiers F10, G10, G11 and H11).

HMU17/883

Die Characteristics

DIE DIMENSIONS:

179 mils x 169 mils x 19 ± 1 mil

METALLIZATION:

Type: Si-Al or Si-Al-Cu

Thickness: 8kÅ

GLASSIVATION:

Type: Nitrox

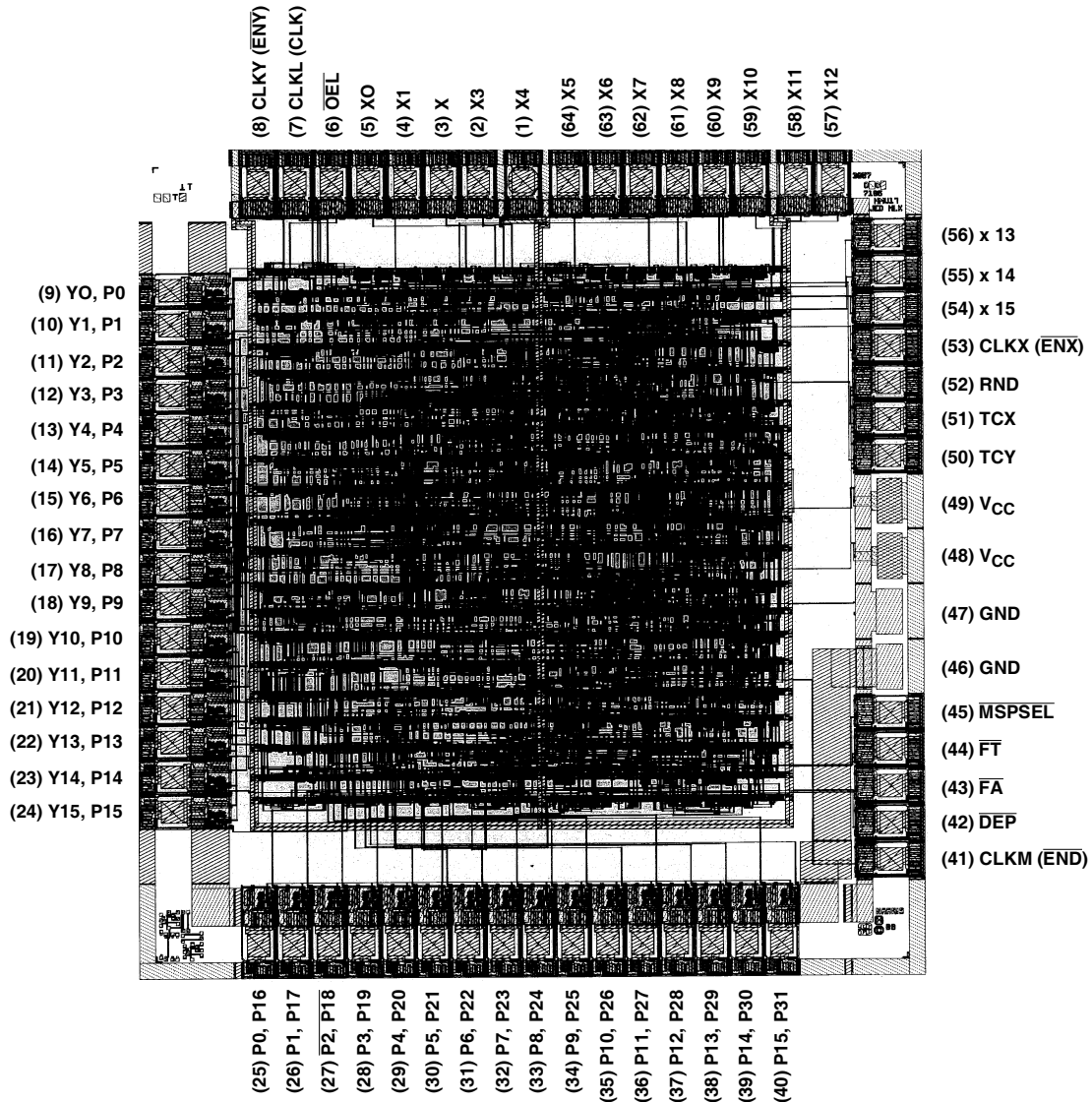
Thickness: 10kÅ

WORST CASE CURRENT DENSITY:

1.2 x 10⁵ A/cm²

Metallization Mask Layout

HMU17/883



All Intersil U.S. products are manufactured, assembled and tested utilizing ISO9000 quality systems. Intersil Corporation's quality certifications can be viewed at www.intersil.com/design/quality

Intersil products are sold by description only. Intersil Corporation reserves the right to make changes in circuit design, software and/or specifications at any time without notice. Accordingly, the reader is cautioned to verify that data sheets are current before placing orders. Information furnished by Intersil is believed to be accurate and reliable. However, no responsibility is assumed by Intersil or its subsidiaries for its use; nor for any infringements of patents or other rights of third parties which may result from its use. No license is granted by implication or otherwise under any patent or patent rights of Intersil or its subsidiaries.

For information regarding Intersil Corporation and its products, see www.intersil.com