



**155Mbps ATM Adapter
Family in PCI Mezzanine
Card (PMC) Form-Factor**

**PRELIMINARY
IDT7M9130
IDT7M9131
IDT7M9132**

FEATURES:

- **Bus Interface:** 33Mhz, 5V, 32-bit PCI bus version 2.1 Electrical Compliance
- **Form-Factor:** Single-Size Common Mezzanine Card (74mm x 149mm). Full Dimensional Compliance to Common Mezzanine Card Specification IEEE P1386 v.2.0.
- **155Mbps Fiber optical interface.**
 - Multimode (7M9130)
 - Single mode intermediate distance(7M9131)
 - Single mode long distance (7M9132)
- **Consult factory for availability of UTP-5 interface version**
- **Full Software Compatibility with IDT77914 and IDT77915 ATM reference cards**
- **Third Party Software available:**
 - Harris & Jeffries
Soft-ATM™ Family of Protocol Products
Porting files for VxWorks™ and pSOS™
888 Washington Street
Dedham, MA 02026
(617) 329-3200
acooley@hjinc.com
 - Advancenet Systems Inc.
WindowsNT™ and Windows95™ Drivers
406 Timbermill Rd.
Durham, NC 27713
(919) 544-5601

DESCRIPTION:

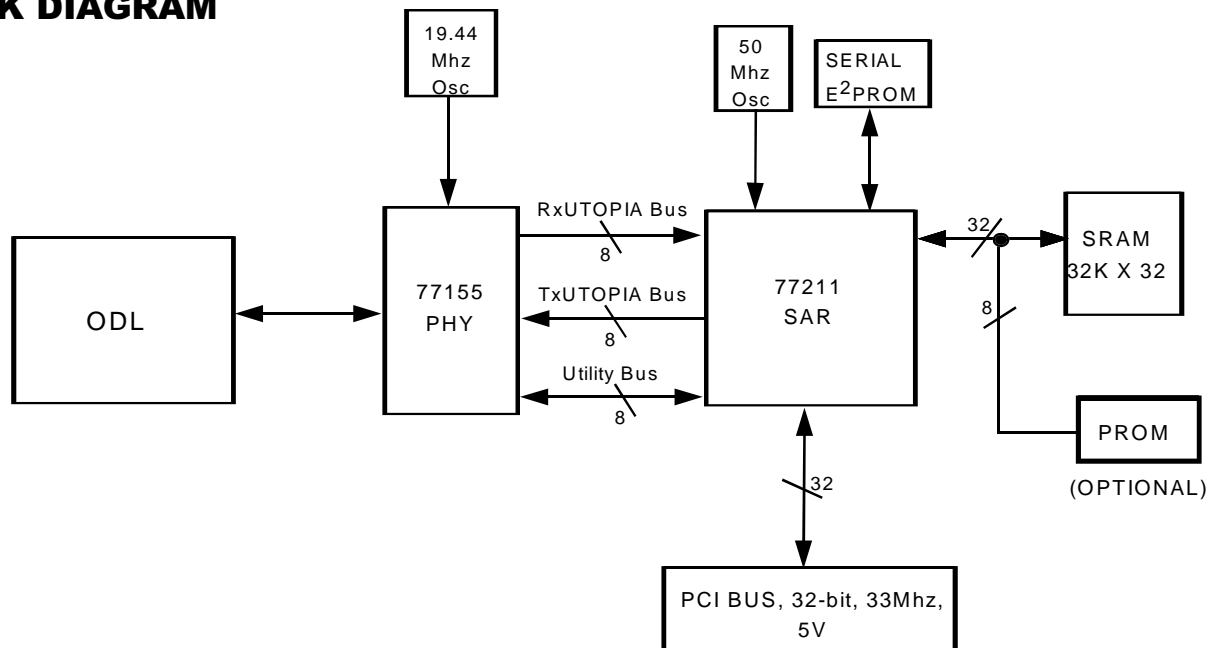
The IDT7M9130/31/32 provide reliable, high performance Asynchronous Transfer Mode connectivity for PCI Mezzanine Card (PMC)-based systems. The IDT7M9130/31/32 is designed for mechanical and electrical compliance with the Common Mezzanine Card Specification (IEEE1386) and the PCI Mezzanine Card Specification (IEEE1386.1). This low-profile I/O card is ideally suited to serve as an ATM Uplink on a Fast Ethernet switch or as ATM I/O card mounted on a standard VME or Compact PCI Single Board Computer.

OVERVIEW:

The central component of the IDT7M9130/31/32 is the IDT77211 NICSTAR™ Segmentation and Reassembly (SAR) controller. The IDT77211 SAR connects directly to the PCI bus, a private SRAM/EPROM bus, and the Utopia PHY interface. The IDT77211's PCI bus master interface provides efficient, low latency DMA transfer capability over PCI. For further information on the IDT77211 refer to the IDT77211 Datasheet located on the IDT website (www.idt.com).

The IDT77155 PHY chip provides the SONET/SDH processing and ATM mapping functions of a 155Mbps ATM User Network Interface. The IDT77155 provides both Transmission Convergence (TC) and Physical Media Dependent (PMD) sublayer functions and supports a UTOPIA interface. For further information on the IDT77155 refer to the IDT77155 Datasheet located on the IDT website(www.idt.com).

BLOCK DIAGRAM



4270 drw 01

APRIL 1998

PIN ASSIGNMENTS

The 32-bit PCI bus is implemented in two 64-pin headers (PN1 & PN2) in compliance with the PMC Specification and is provided below.

PN1

Pin #	Signal Name	Signal Name	Pin #
1	TCK	-12V (1)	2
3	GND	INTA#	4
5	INTB#	INTC#	6
7	BUSMODE1#	+5V	8
9	INTD#	PCI-RSVD	10
11	GND	PCI-RSVD	12
13	CLK	GND	14
15	GND	GNT#	16
17	REQ#	+5V	18
19	V(I/O)	AD[31]	20
21	AD[28]	AD[27]	22
23	AD[25]	GND	24
25	GND	C/BE[3]#	26
27	AD[22]	AD[21]	28
29	AD[19]	+5V	30
31	V(I/O)	AD[17]	32
33	FRAME#	GND	34
35	GND	IRDY#	36
37	DEVSEL#	+5V	38
39	GND	LOCK#	40
41	SDONE#	SBO#	42
43	PAR	GND	44
45	V(I/O)	AD[15]	46
47	AD[12]	AD[11]	48
49	AD[09]	+5V	50
51	GND	C/BE[0]#	52
53	AD[06]	AD[05]	54
55	AD[04]	GND	56
57	V(I/O)	AD[03]	58
59	AD[02]	AD[01]	60
61	AD[00]	+5V	62
63	GND	REQ64# (1)	64

4270 tbl 01

PN2

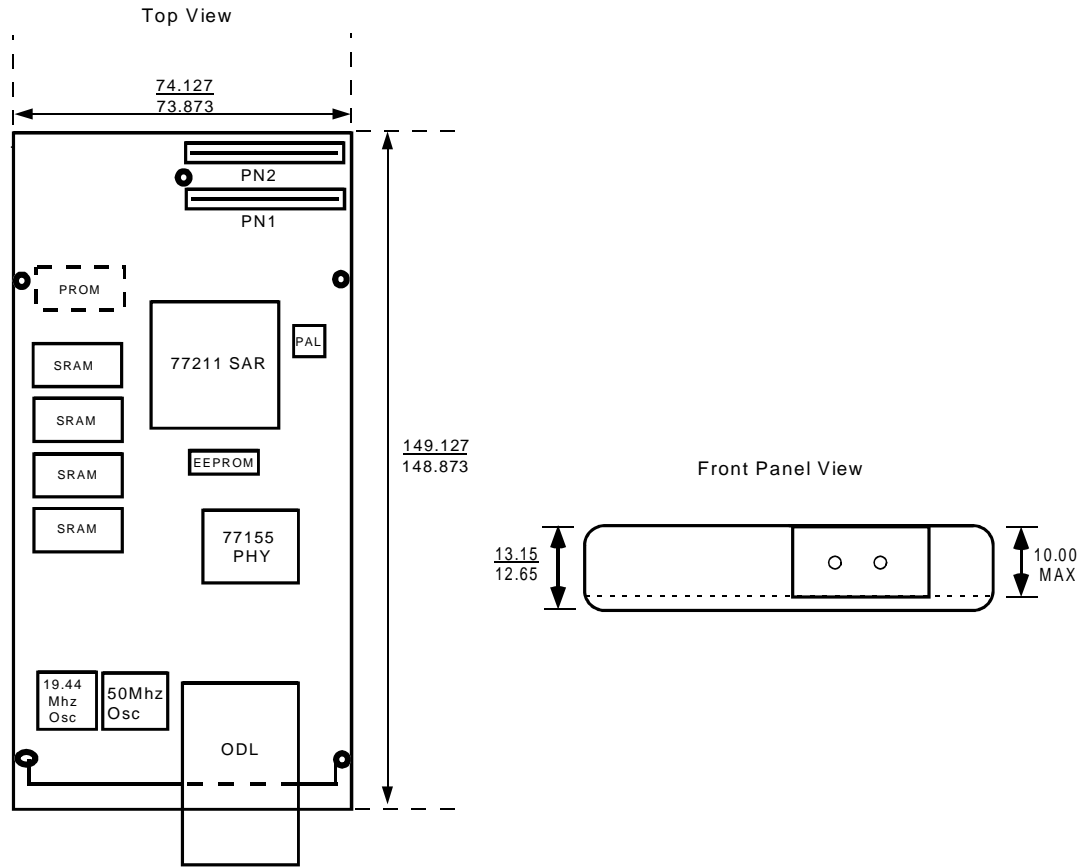
Pin #	Signal Name	Signal Name	Pin #
1	+12V (1)	TRST#	2
3	TMS	TDO	4
5	TDI	GND	6
7	GND	PCI-RSVD	8
9	PCI-RSVD	PCI-RSVD	10
11	BUSMODE2#	+3.3V (2)	12
13	RST#	BUSMODE3#	14
15	+3.3V (2)	BUSMODE4#	16
17	PCI-RSVD	GND	18
19	AD[30]	AD[29]	20
21	GND	AD[26]	22
23	AD[24]	+3.3V (2)	24
25	IDSEL	AD[23]	26
27	+3.3V (2)	AD[20]	28
29	AD[18]	GND	30
31	AD[16]	C/BE[2]#	32
33	GND	PMC-RSVD	34
35	TRDY#	+3.3V (2)	36
37	GND	STOP#	38
39	PERR#	GND	40
41	+3.3V (2)	SERR#	42
43	C/BE[1]#	GND	44
45	AD[14]	AD[13]	46
47	GND	AD[10]	48
49	AD[08]	+3.3V (2)	50
51	AD[07]	PMC-RSVD	52
53	+3.3V (2)	PMC-RSVD	54
55	PMC-RSVD	GND	56
57	PMC-RSVD	PMC-RSVD	58
59	GND	PMC-RSVD	60
61	ACK64# (1)	+3.3V (2)	62
63	GND	PMC-RSVD	64

4270 tbl 02

NOTES:

1. These signals are not connected (NC) on the IDT7M9130/31/32.
2. +3.3V is not used by the IDT7M9130/31/32; however, it is decoupled on the board.

BOARD DIMENSIONS



NOTES:
1. All dimensions in millimeters.

4270 drw 02

ORDERING INFORMATION

IDT	XXXXX Device Type	X Power	X Speed	X Package	X Process/ Temperature Range	
					Blank	Commercial (0°C to +70°C)
					M	PMC-Standard PCI Connection
			155			Speed in Megabits/Second
				S		Standard Configuration
	7M9130					155 Mb/s ATM Adapter-Multimode
	7M9131					155 Mb/s ATM Adapter-Intermediate Distance Single Mode
	7M9132					155 Mb/s ATM Adapter-Long Distance Single Mode

4270 drw 03



CORPORATE HEADQUARTERS
2975 Stender Way
Santa Clara, CA 95054

for SALES:
800-345-7015
fax: 408-492-8674
www.idt.com

for Tech Support:
408-988-5647
ssdhelp@idt.com

The IDT logo is a registered trademark of Integrated Device Technology, Inc.

4270 drw 03