

Micro-Power, Zero-Drift, Rail-to-Rail Out Instrumentation Amplifier

Check for Samples: [INA333-HT](#)

FEATURES

- Low Offset Voltage: 25 μV (max at 25°C), $G \geq 100$
- Low Drift: 0.2 $\mu\text{V}/^\circ\text{C}$, $G \geq 1000$
- Low Noise: 55 $\text{nV}/\sqrt{\text{Hz}}$, $G \geq 100$
- High CMRR: 100 dB (min at 25°C), $G \geq 10$
- Supply Range: +1.8 V to +5.5 V
- Input Voltage: (V–) +0.1 V to (V+) –0.1 V
- Output Range: (V–) +0.05 V to (V+) –0.05V
- Low Quiescent Current: 198 μA
- RFI Filtered Inputs

APPLICATIONS

- Down-Hole Drilling
- High Temperature Environments

SUPPORTS EXTREME TEMPERATURE APPLICATIONS

- Controlled Baseline
- One Assembly/Test Site
- One Fabrication Site
- Available in Extreme (–55°C/210°C) Temperature Range ⁽¹⁾
- Extended Product Life Cycle
- Extended Product-Change Notification
- Product Traceability
- Texas Instruments' high temperature products utilize highly optimized silicon (die) solutions with design and process enhancements to maximize performance over extended temperatures.

(1) Custom temperature ranges available

DESCRIPTION

The INA333 is a low-power, precision instrumentation amplifier offering excellent accuracy. The versatile 3-op amp design, small size, and low power make it ideal for a wide range of portable applications.

A single external resistor sets any gain from 1 to 1000. The INA333 is designed to use an industry-standard gain equation: $G = 1 + (100\text{k}\Omega/R_G)$.

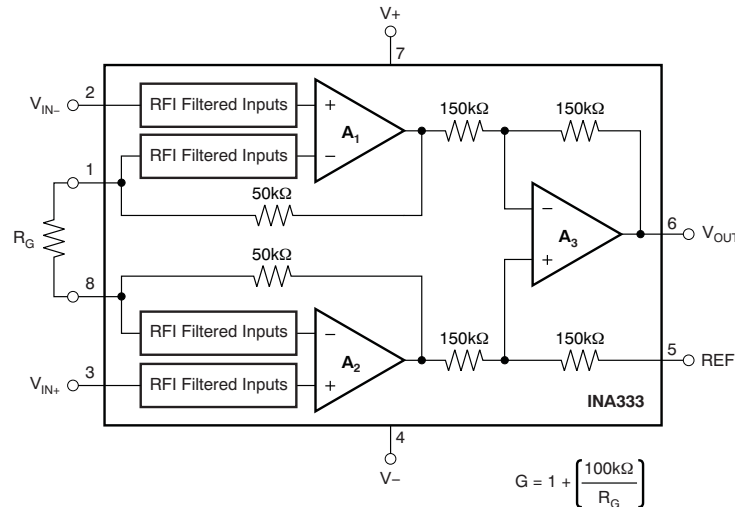
The INA333 provides very low offset voltage (25 μV at 25°C, $G \geq 100$), excellent offset voltage drift (0.2 $\mu\text{V}/^\circ\text{C}$, $G \geq 100$), and high common-mode rejection (100 dB at 25°C, $G \geq 10$). It operates with power supplies as low as 1.8 V ($\pm 0.9\text{V}$), and quiescent current is only 50 μA —ideal for battery-operated systems. Using autocalibration techniques to ensure excellent precision over the extended industrial temperature range, the INA333 also offers exceptionally low noise density (55 $\text{nV}/\sqrt{\text{Hz}}$) that extends down to dc.

The INA333 is specified over the $T_A = -55^\circ\text{C}$ to +210°C temperature range.



Please be aware that an important notice concerning availability, standard warranty, and use in critical applications of Texas Instruments semiconductor products and disclaimers thereto appears at the end of this data sheet.

All trademarks are the property of their respective owners.



This integrated circuit can be damaged by ESD. Texas Instruments recommends that all integrated circuits be handled with appropriate precautions. Failure to observe proper handling and installation procedures can cause damage.

ESD damage can range from subtle performance degradation to complete device failure. Precision integrated circuits may be more susceptible to damage because very small parametric changes could cause the device not to meet its published specifications.

ORDERING INFORMATION⁽¹⁾

T _A	PACKAGE ⁽²⁾	ORDERABLE PART NUMBER	TOP-SIDE MARKING	PACKAGE QTY CARRIER
-55°C to 210°C	KGD	INA333SKGD1	NA	240 TRAY
		INA333SKGD2	NA	10 TRAY
	JD	INA333SJD	INA333SJD	1 TUBE
	HKJ	INA333SHKJ	INA333SHKJ	1 TUBE
	HKQ	INA333SHKQ	INA333SHKQ	1 TUBE

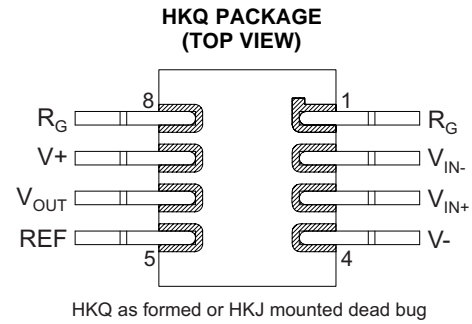
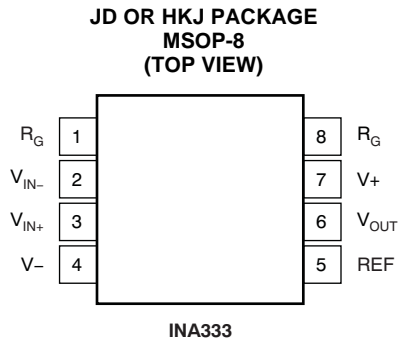
- (1) For the most current package and ordering information see the Package Option Addendum at the end of this document, or see the TI web site at www.ti.com.
- (2) Package drawings, standard packaging quantities, thermal data, symbolization, and PCB design guidelines are available at www.ti.com/packaging.

ABSOLUTE MAXIMUM RATINGS⁽¹⁾

		INA333	UNIT
Supply voltage		+7	V
Analog input voltage range ⁽²⁾		(V-) - 0.3 to (V+) + 0.3	V
Output short-circuit ⁽³⁾		Continuous	
Operating temperature range, T _A		-55 to +210	°C
Storage temperature range, T _{STG}		-65 to +210	°C
Junction temperature, T _J		+210	°C
ESD rating	Human body model (HBM)	4000	V
	Charged device model (CDM)	1000	V
	Machine model (MM)	200	V

- (1) Stresses above these ratings may cause permanent damage. Exposure to absolute maximum conditions for extended periods may degrade device reliability. These are stress ratings only, and functional operation of the device at these or any other conditions beyond those specified is not implied.
- (2) Input terminals are diode-clamped to the power-supply rails. Input signals that can swing more than 0.3V beyond the supply rails should be current limited to 10mA or less.
- (3) Short-circuit to ground.

PIN CONFIGURATIONS



BARE DIE INFORMATION

DIE THICKNESS	BACKSIDE FINISH	BACKSIDE POTENTIAL	BOND PAD METALLIZATION COMPOSITION
15 mils.	Silicon with backgrind	V-	Al-Si-Cu (0.5%)

Origin

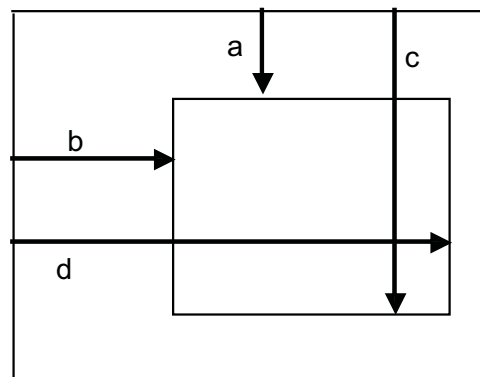
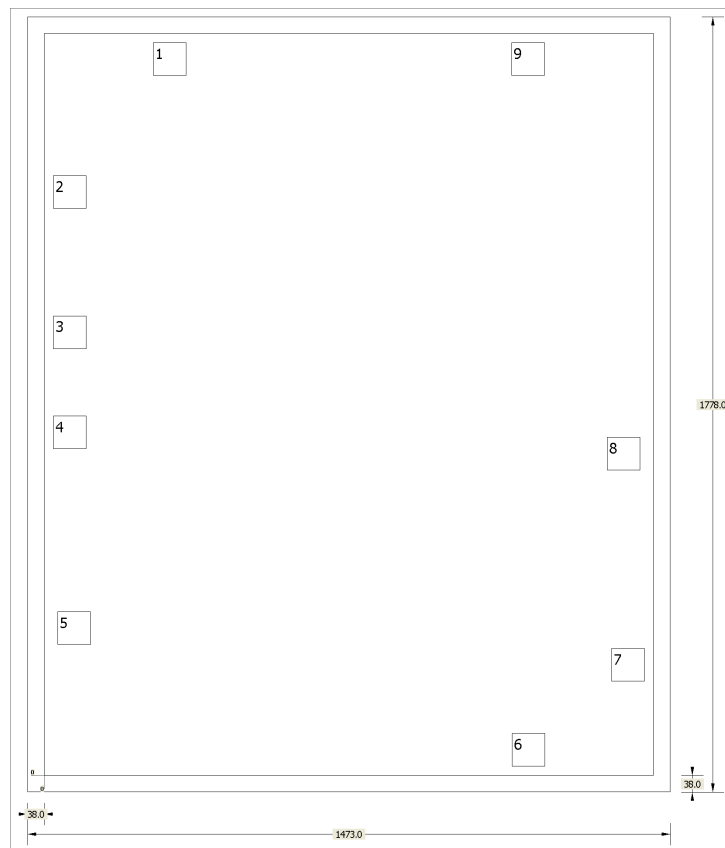


Table 1. Bond Pad Coordinates in Microns⁽¹⁾

DESCRIPTION	PAD NUMBER	X MIN	Y MIN	X MAX	Y MAX
R _G	1	250	1604.8	326	1680.8
V _{IN-}	2	21.2	1300	97.2	1376
V _{IN+}	3	21.2	978.5	97.2	1054.5
NC	4	21.2	748.65	97.2	824.65
V ₋	5	31.3	300	107.3	376
REF	6	1072.15	21.2	1148.15	97.2
V _{OUT}	7	1299.8	216.2	1375.8	292.2
V ₊	8	1289.7	700	1365.7	776
R _G	9	1071	1604.8	1147	1680.8

(1) Substrate is N/C



THERMAL CHARACTERISTICS FOR JD PACKAGE

over operating free-air temperature range (unless otherwise noted)

PARAMETER		TEST CONDITIONS	MIN	TYP	MAX	UNIT
θ_{JA}	Junction-to-ambient thermal resistance ⁽¹⁾	High-K board ⁽²⁾ , no airflow		64.9		°C/W
		No airflow		83.4		
θ_{JB}	Junction-to-board thermal resistance	High-K board without underfill		27.9		°C/W
θ_{JC}	Junction-to-case thermal resistance			6.49		°C/W

- (1) The intent of θ_{JA} specification is solely for a thermal performance comparison of one package to another in a standardized environment. This methodology is not meant to and will not predict the performance of a package in an application-specific environment.
- (2) JED51-7, high effective thermal conductivity test board for leaded surface mount packages.

THERMAL CHARACTERISTICS FOR HKJ OR HKQ PACKAGE

over operating free-air temperature range (unless otherwise noted)

PARAMETER		TEST CONDITIONS	MIN	TYP	MAX	UNIT
θ_{JC}	Junction-to-case thermal resistance	to ceramic side of case			5.7	°C/W
		to top of case lid (metal side of case)			13.7	

ELECTRICAL CHARACTERISTICS: $V_S = +1.8\text{ V to }+5.5\text{ V}$

 At $T_A = +25^\circ\text{C}$, $R_L = 10\text{ k}\Omega$, $V_{REF} = V_S/2$, and $G = 1$, unless otherwise noted.

PARAMETER	TEST CONDITIONS	$T_A = -55^\circ\text{C to }+125^\circ\text{C}$			$T_A = +210^\circ\text{C}$			UNIT
		MIN	TYP	MAX	MIN	TYP	MAX	
INPUT⁽¹⁾								
Offset voltage, V_{OSI} RTI ⁽²⁾			$\pm 10 \pm 25/G$	$\pm 25 \pm 75/G$		± 15		μV
vs Temperature				$\pm 0.1 \pm 0.5/G^{(3)}$		$0.2^{(4)(5)}$		$\mu\text{V}/^\circ\text{C}$
vs Power supply Long-term stability	$1.8\text{ V} \leq V_S \leq 5.5\text{ V}$		$\pm 1 \pm 5/G$ See note ⁽⁶⁾	$\pm 5 \pm 15/G$		$2.5^{(4)}$		$\mu\text{V/V}$
Turn-on time to specified V_{OSI}		See Typical characteristics			See Typical characteristics			
Impedance								
Differential Z_{IN}			$100 \parallel 3$			$100 \parallel 3$		$\text{G}\Omega \parallel \text{pF}$
Common-mode Z_{IN}			$100 \parallel 3$			$100 \parallel 3$		$\text{G}\Omega \parallel \text{pF}$
Common-mode voltage range V_{CM}	$V_O = 0\text{ V}$	$(V-) + 0.1$		$(V+) - 0.1$	$(V-) + 0.1$		$(V+) - 0.1\text{ V}$	V
Common-mode rejection CMR	DC to 60 Hz							
$G = 1$	$V_{CM} = (V-) + 0.1\text{ V to } (V+) - 0.1\text{ V}$	80	90					dB
$G = 10$	$V_{CM} = (V-) + 0.1\text{ V to } (V+) - 0.1\text{ V}$	100	110					dB
$G = 100$	$V_{CM} = (V-) + 0.1\text{ V to } (V+) - 0.1\text{ V}$	100	115			110		dB
$G = 1000$	$V_{CM} = (V-) + 0.1\text{ V to } (V+) - 0.1\text{ V}$	100	115			113		dB
INPUT BIAS CURRENT								
Input bias current I_B			± 70	± 200		± 1260	± 2044	μA
vs Temperature			See Typical Characteristic curve			See Typical Characteristic curve		$\mu\text{A}/^\circ\text{C}$
Input offset current I_{OS}			± 50	± 200				μA
vs Temperature			See Typical Characteristic curve			See Typical Characteristic curve		$\mu\text{A}/^\circ\text{C}$

- (1) Total V_{OS} , Referred-to-input = $(V_{OSI}) + (V_{OSO}/G)$.
- (2) RTI = Referred-to-input.
- (3) Temperature drift is measured from -55°C to $+125^\circ\text{C}$.
- (4) $G = 1000$
- (5) Temperature drift is measured from 125°C to $+210^\circ\text{C}$.
- (6) 300-hour life test at $+150^\circ\text{C}$ demonstrated randomly distributed variation of approximately $1\ \mu\text{V}$.

ELECTRICAL CHARACTERISTICS: $V_S = +1.8\text{ V to }+5.5\text{ V}$ (continued)

 At $T_A = +25^\circ\text{C}$, $R_L = 10\text{k}\Omega$, $V_{REF} = V_S/2$, and $G = 1$, unless otherwise noted.

PARAMETER	TEST CONDITIONS	$T_A = -55^\circ\text{C to }+125^\circ\text{C}$			$T_A = +210^\circ\text{C}$			UNIT
		MIN	TYP	MAX	MIN	TYP	MAX	
INPUT VOLTAGE NOISE								
Input voltage noise	e_{NI}	$G = 100, R_S = 0\ \Omega$						
$f = 10\text{ Hz}$			42			63		$\text{nV}/\sqrt{\text{Hz}}$
$f = 100\text{ Hz}$			40			70		$\text{nV}/\sqrt{\text{Hz}}$
$f = 1\text{ kHz}$			50			55		$\text{nV}/\sqrt{\text{Hz}}$
$f = 0.1\text{Hz to }10\text{ Hz}$			2			6		μV_{PP}
Input current noise	i_N							
$f = 10\text{Hz}$			100					$\text{fA}/\sqrt{\text{Hz}}$
$f = 0.1\text{Hz to }10\text{Hz}$			2					pA_{PP}
GAIN								
Gain equation	G	$1 + (100\text{k}\Omega/R_G)$			$1 + (100\text{k}\Omega/R_G)$			V/V
Range of gain ⁽⁷⁾		1		1000	100		1000	V/V
Gain error		$V_S = 5.5\text{ V}, (V^-) + 100\text{mV} \leq V_O \leq (V^+) - 100\text{mV}$						
$G = 1$			± 0.02	± 0.1				%
$G = 10$			± 0.05	± 0.5				%
$G = 100$			± 0.01	± 0.5		± 1.3		%
$G = 1000$			± 0.43	± 1.15		± 1.7		%
GAIN (continued)								
Gain vs Temperature								
$G = 1$			± 1	± 5				$\text{ppm}/^\circ\text{C}$
$G > 1$ ⁽⁸⁾			± 15	± 50				$\text{ppm}/^\circ\text{C}$
Gain nonlinearity		$V_S = 5.5\text{ V}, (V^-) + 100\text{mV} \leq V_O \leq (V^+) - 100\text{mV}$						
$G = 1\text{ to }1000$		$R_L = 10\text{ k}\Omega$						
			10			10		ppm
OUTPUT								
Output voltage swing from rail ⁽⁹⁾		$V_S = 5.5\text{ V}, R_L = 10\text{ k}\Omega$						
			See note ⁽⁹⁾	50			185	mV
Capacitive load drive			500			500		pF
Short-circuit current	I_{SC}	Continuous to common						
			-55, +5			-36, +1		mA
FREQUENCY RESPONSE								
Bandwidth, -3dB								
Range of gain ⁽⁷⁾								
$G = 1$			150					kHz
$G = 10$			35					kHz
$G = 100$			3.5			3.1		kHz
$G = 1000$			350			300		Hz
Slew rate	SR	$V_S = 5\text{ V}, V_O = 4\text{ V Step}$						
$G = 1$			0.16			0.25		$\text{V}/\mu\text{s}$
$G = 100$			0.06			0.04		$\text{V}/\mu\text{s}$
Settling time to 0.01%	t_S							
$G = 1$		$V_{STEP} = 4\text{ V}$						
			35			32		μs
$G = 100$		$V_{STEP} = 4\text{ V}$						
			240			326		μs
Settling time to 0.001%	t_S							

(7) Not recommend gain < 100 for 210°C application.

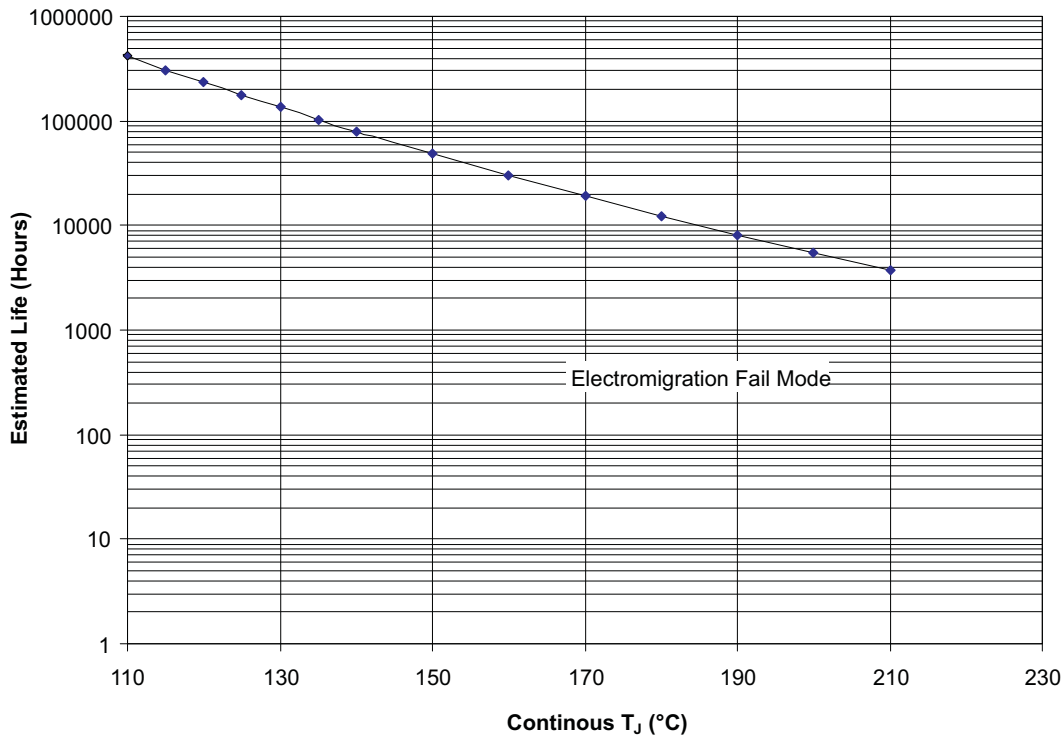
 (8) Does not include effects of external resistor R_G .

 (9) See Typical Characteristics curve, *Output Voltage Swing vs Output Current* (Figure 31).

ELECTRICAL CHARACTERISTICS: $V_S = +1.8\text{ V}$ to $+5.5\text{ V}$ (continued)

At $T_A = +25^\circ\text{C}$, $R_L = 10\text{k}\Omega$, $V_{REF} = V_S/2$, and $G = 1$, unless otherwise noted.

PARAMETER	TEST CONDITIONS	$T_A = -55^\circ\text{C}$ to $+125^\circ\text{C}$			$T_A = +210^\circ\text{C}$			UNIT
		MIN	TYP	MAX	MIN	TYP	MAX	
$G = 1$	$V_{STEP} = 4\text{ V}$		60			55		μs
$G = 100$	$V_{STEP} = 4\text{ V}$		500			530		μs
Overload recovery	50% overdrive		52			28		μs
REFERENCE INPUT								
R_{IN}			300			300		$\text{k}\Omega$
Voltage range		V–		V+	V–		V+	V
POWER SUPPLY								
Voltage range								
Single		+1.8		+5.5	+1.8		+5.5	V
Dual		± 0.9		± 2.75	± 0.9		± 2.75	V
Quiescent current I_Q	$V_{IN} = V_S/2$		50	75				μA
vs Temperature				80		198	345	μA
TEMPERATURE RANGE								
Specified temperature range		–55		+125	–55		+210	$^\circ\text{C}$
Operating temperature range		–55		+125	–55		+210	$^\circ\text{C}$



Notes

- See datasheet for absolute maximum and minimum recommended operating conditions.
- Silicon operating life design goal is 10 years at 105°C junction temperature (does not include package interconnect life).

Figure 1. INA333SKGD1 Operating Life Derating Chart

TYPICAL CHARACTERISTICS

At $T_A = +25^\circ\text{C}$, $V_S = 5\text{V}$, $R_L = 10\text{k}\Omega$, $V_{REF} = \text{midsupply}$, and $G = 1$, unless otherwise noted.

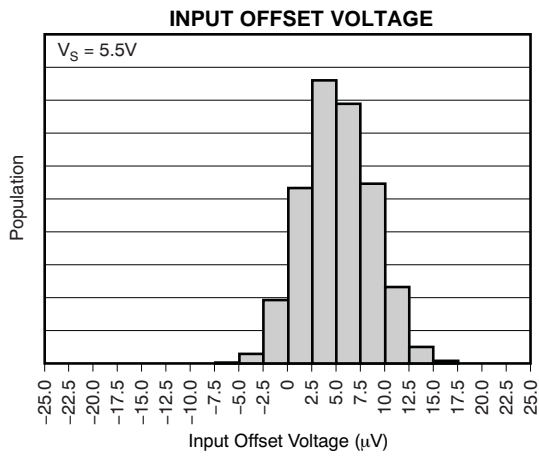


Figure 2.

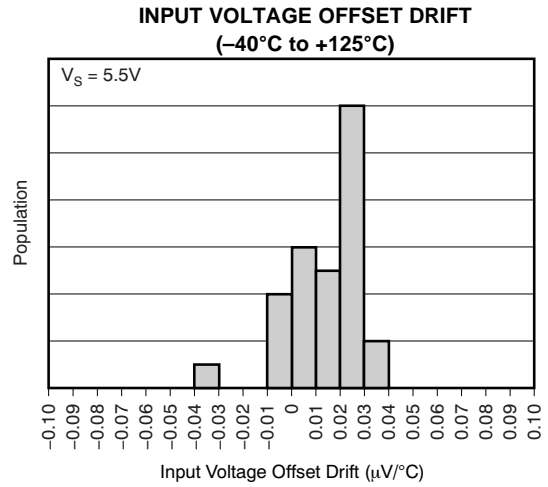


Figure 3.

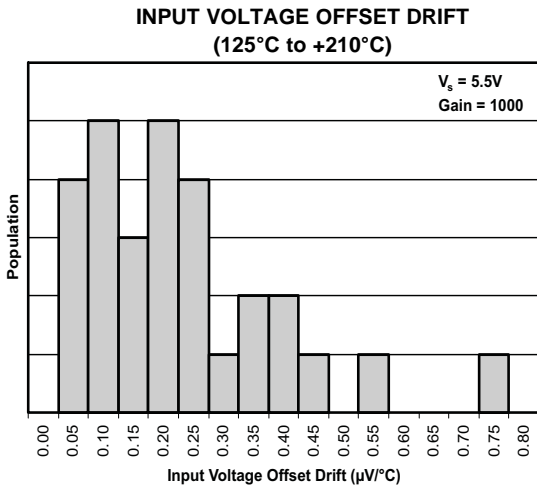


Figure 4.

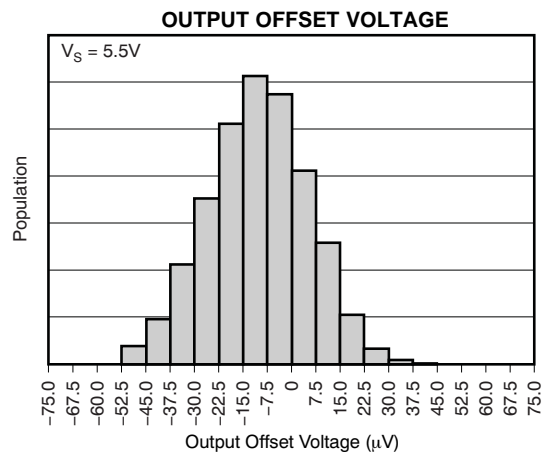


Figure 5.

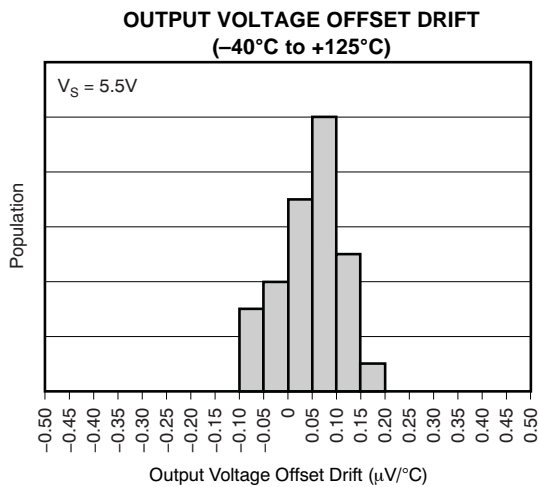


Figure 6.

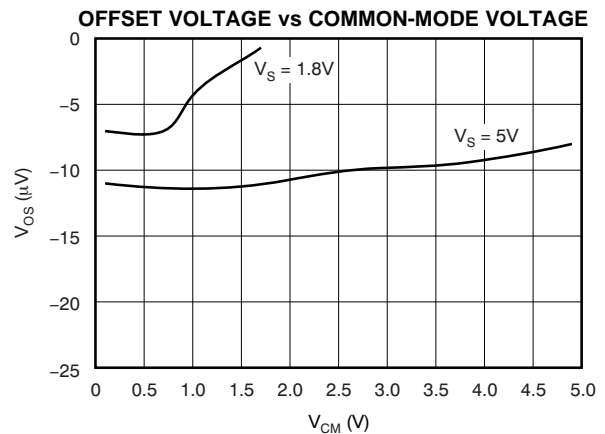


Figure 7.

TYPICAL CHARACTERISTICS (continued)

At $T_A = +25^\circ\text{C}$, $V_S = 5\text{V}$, $R_L = 10\text{k}\Omega$, $V_{REF} = \text{midsupply}$, and $G = 1$, unless otherwise noted.

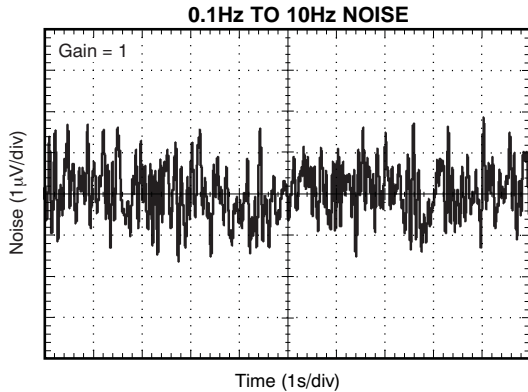


Figure 8.

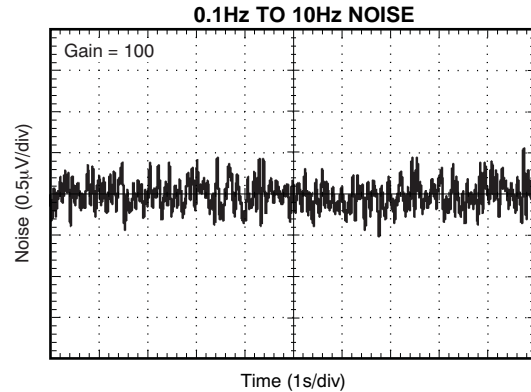


Figure 9.

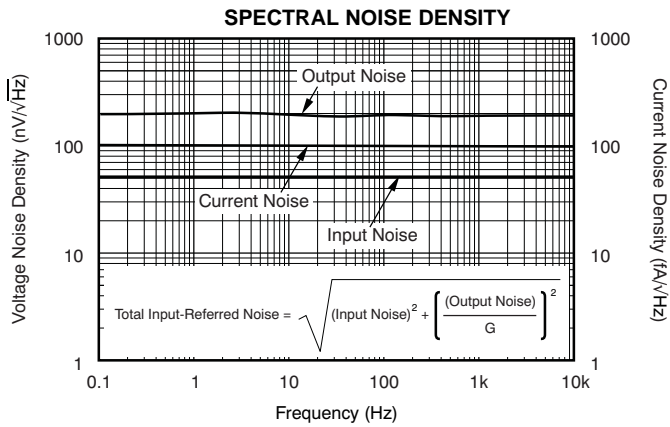


Figure 10.

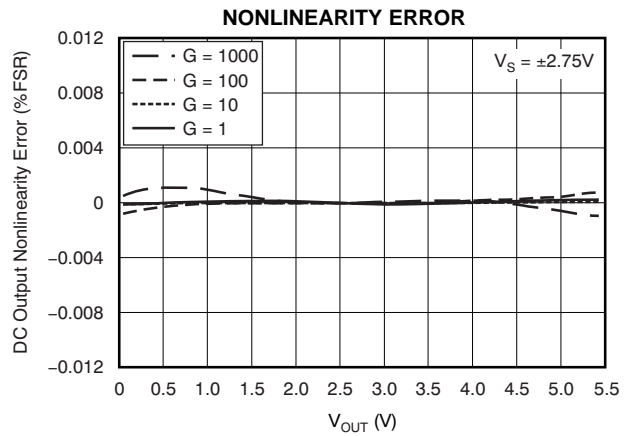


Figure 11.

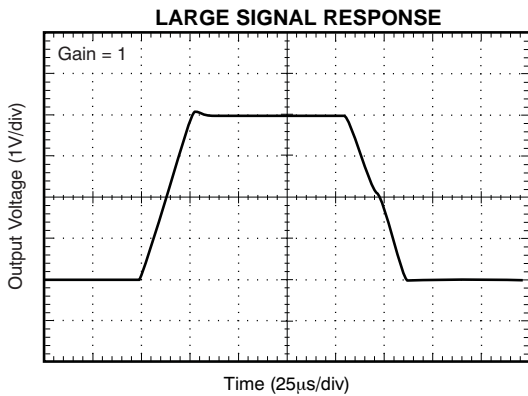


Figure 12.

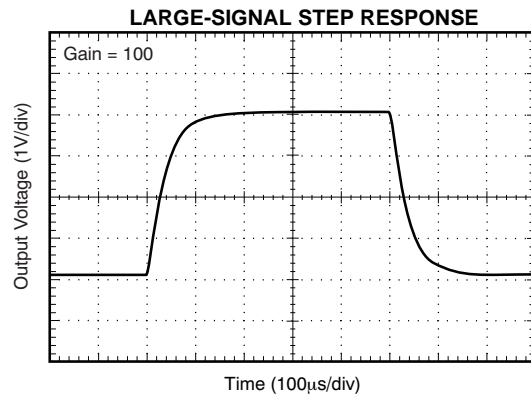


Figure 13.

TYPICAL CHARACTERISTICS (continued)

At $T_A = +25^\circ\text{C}$, $V_S = 5\text{V}$, $R_L = 10\text{k}\Omega$, $V_{REF} = \text{midsupply}$, and $G = 1$, unless otherwise noted.

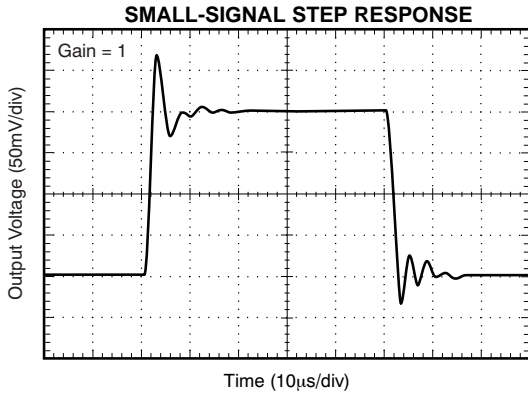


Figure 14.

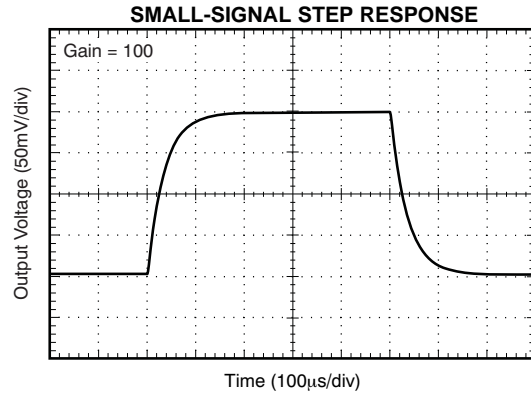


Figure 15.

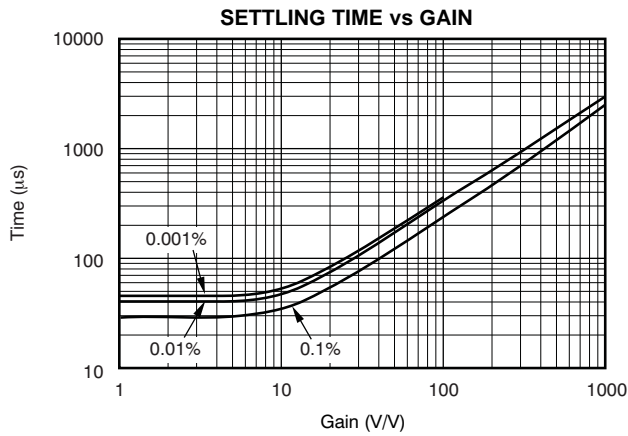


Figure 16.

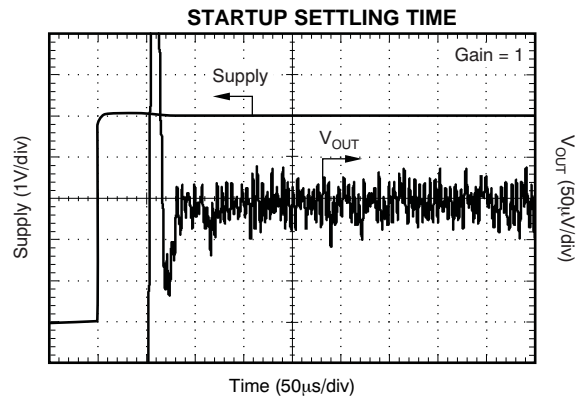


Figure 17.

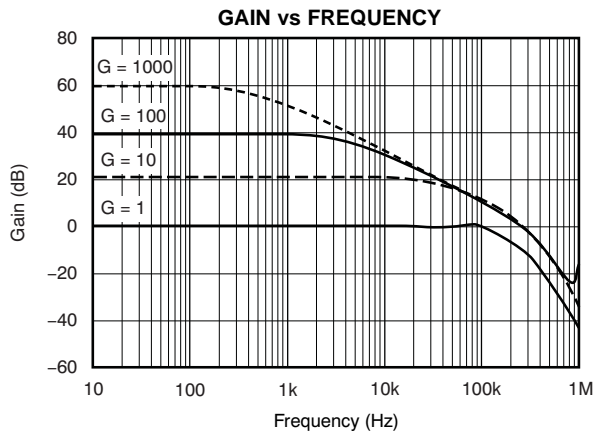


Figure 18.

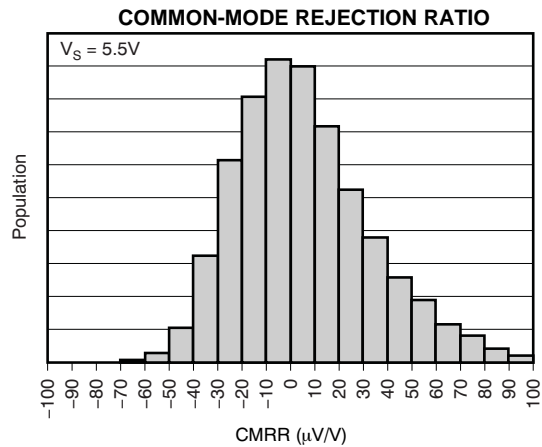


Figure 19.

TYPICAL CHARACTERISTICS (continued)

At $T_A = +25^\circ\text{C}$, $V_S = 5\text{V}$, $R_L = 10\text{k}\Omega$, $V_{REF} = \text{midsupply}$, and $G = 1$, unless otherwise noted.

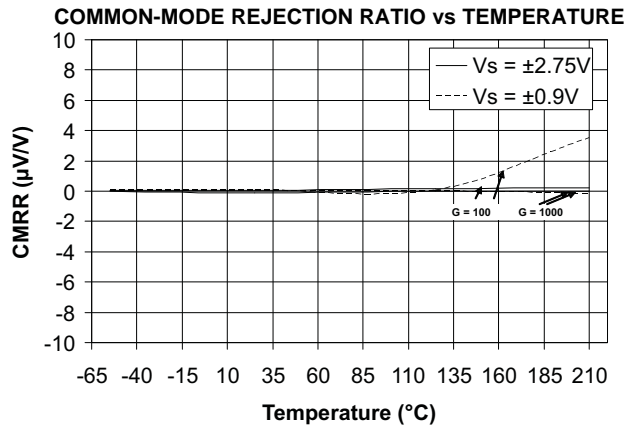


Figure 20.

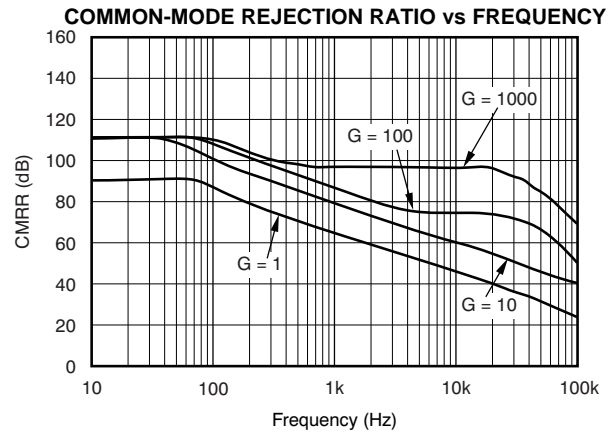


Figure 21.

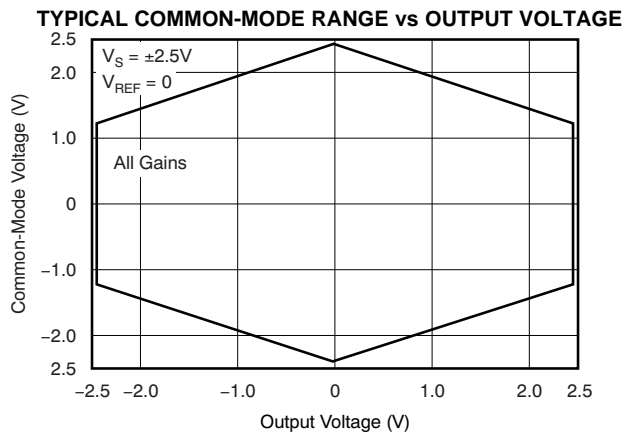


Figure 22.

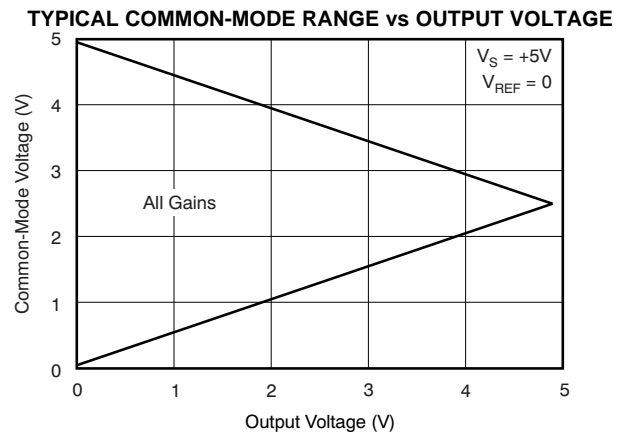


Figure 23.

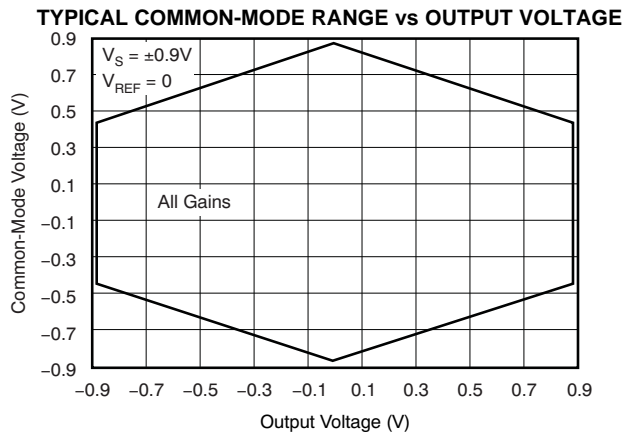


Figure 24.

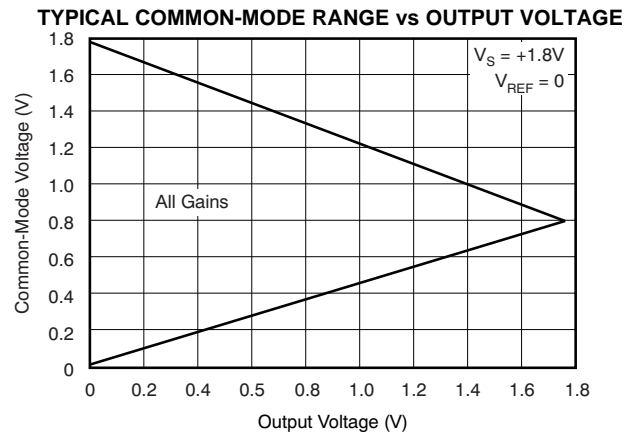


Figure 25.

TYPICAL CHARACTERISTICS (continued)

At $T_A = +25^\circ\text{C}$, $V_S = 5\text{V}$, $R_L = 10\text{k}\Omega$, $V_{\text{REF}} = \text{midsupply}$, and $G = 1$, unless otherwise noted.

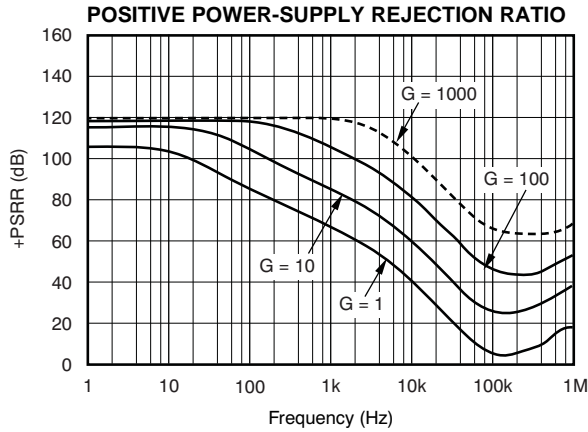


Figure 26.

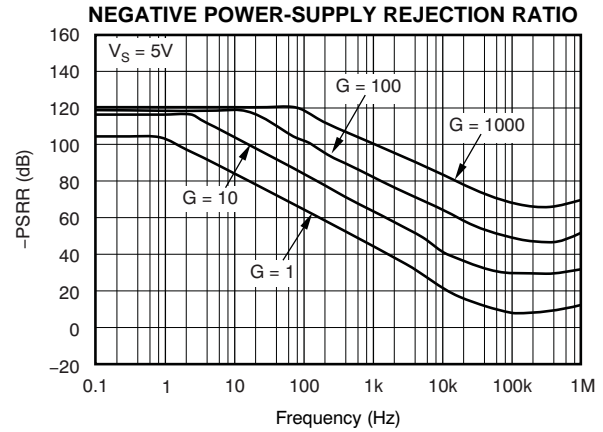


Figure 27.

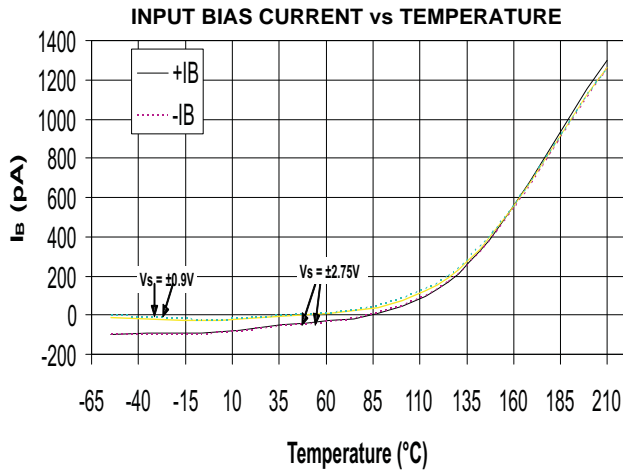


Figure 28.

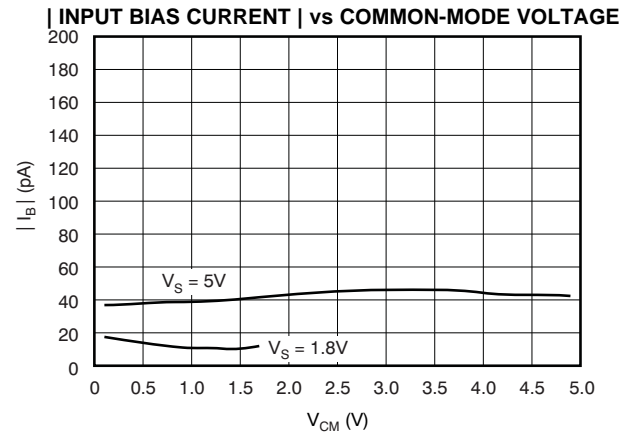


Figure 29.

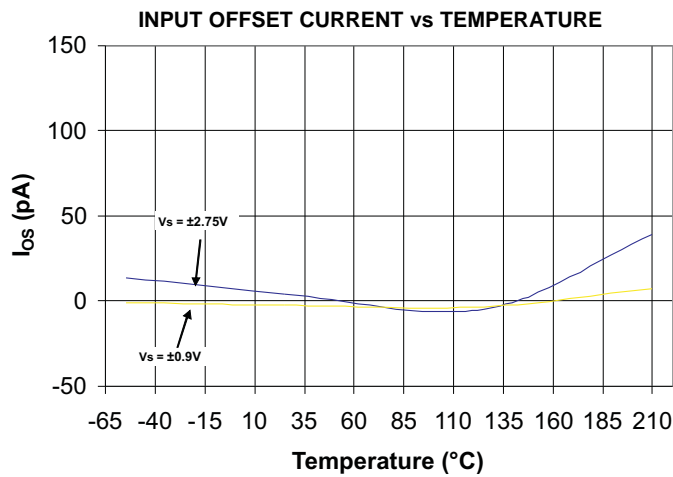


Figure 30.

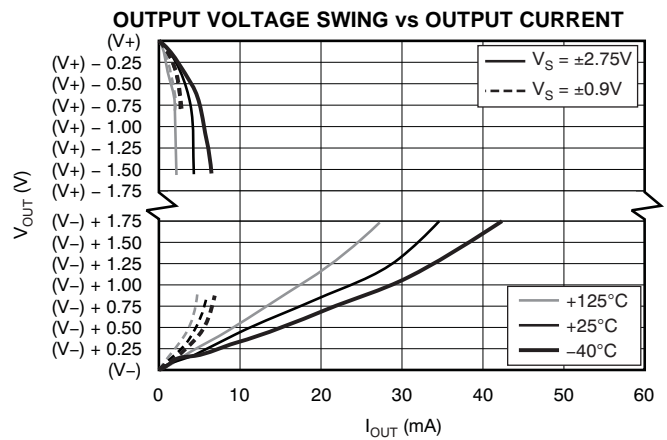


Figure 31.

TYPICAL CHARACTERISTICS (continued)

At $T_A = +25^\circ\text{C}$, $V_S = 5\text{V}$, $R_L = 10\text{k}\Omega$, $V_{REF} = \text{midsupply}$, and $G = 1$, unless otherwise noted.

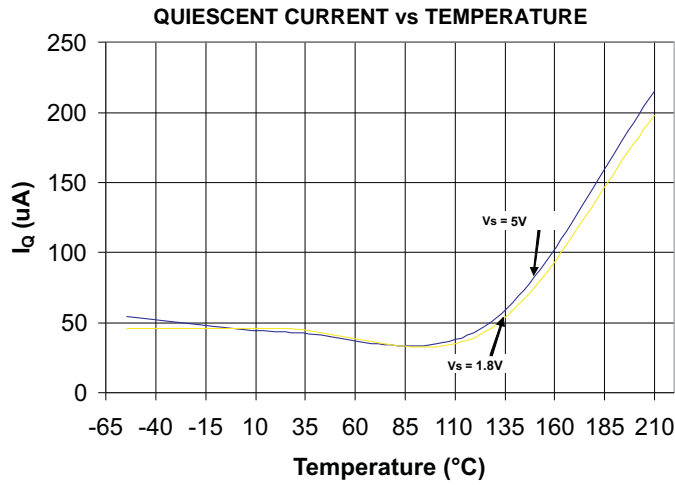


Figure 32.

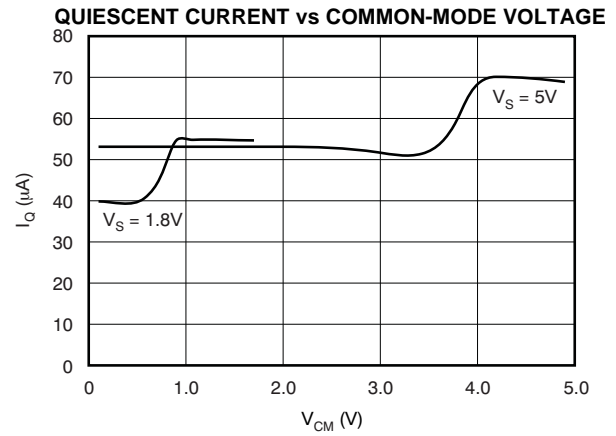


Figure 33.

APPLICATION INFORMATION

Application information below is provided for commercial temperature as a reference and not for high temperature.

It is not recommended to use gain < 100 for the high temperature (210°C) application. A filter is needed between Pin 1 and Pin 9 for gain = 100 and gain = 1000 in 210°C application. Recommended resistor value is 3.5 kΩ and capacitor value is 10 nF.

[Figure 34](#) shows the basic connections required for operation of the INA333. Good layout practice mandates the use of bypass capacitors placed close to the device pins as shown.

The output of the INA333 is referred to the output reference (REF) terminal, which is normally grounded. This connection must be low-impedance to assure good common-mode rejection. Although 15 Ω or less of stray resistance can be tolerated while maintaining specified CMRR, small stray resistances of tens of ohms in series with the REF pin can cause noticeable degradation in CMRR.

SETTING THE GAIN

Gain of the INA333 is set by a single external resistor, R_G , connected between pins 1 and 8. The value of R_G is selected according to [Equation 1](#):

$$G = 1 + (100 \text{ k}\Omega / R_G) \quad (1) \quad (1)$$

[Table 2](#) lists several commonly-used gains and resistor values. The 100 kΩ term in [Equation 1](#) comes from the sum of the two internal feedback resistors of A_1 and A_2 . These on-chip resistors are laser trimmed to accurate absolute values. The accuracy and temperature coefficient of these resistors are included in the gain accuracy and drift specifications of the INA333.

The stability and temperature drift of the external gain setting resistor, R_G , also affects gain. The contribution of R_G to gain accuracy and drift can be directly inferred from the gain [Equation 1](#). Low resistor values required for high gain can make wiring resistance important. Sockets add to the wiring resistance and contribute additional gain error (possibly an unstable gain error) in gains of approximately 100 or greater. To ensure stability, avoid parasitic capacitance of more than a few picofarads at the R_G connections. Careful matching of any parasitics on both R_G pins maintains optimal CMRR over frequency.

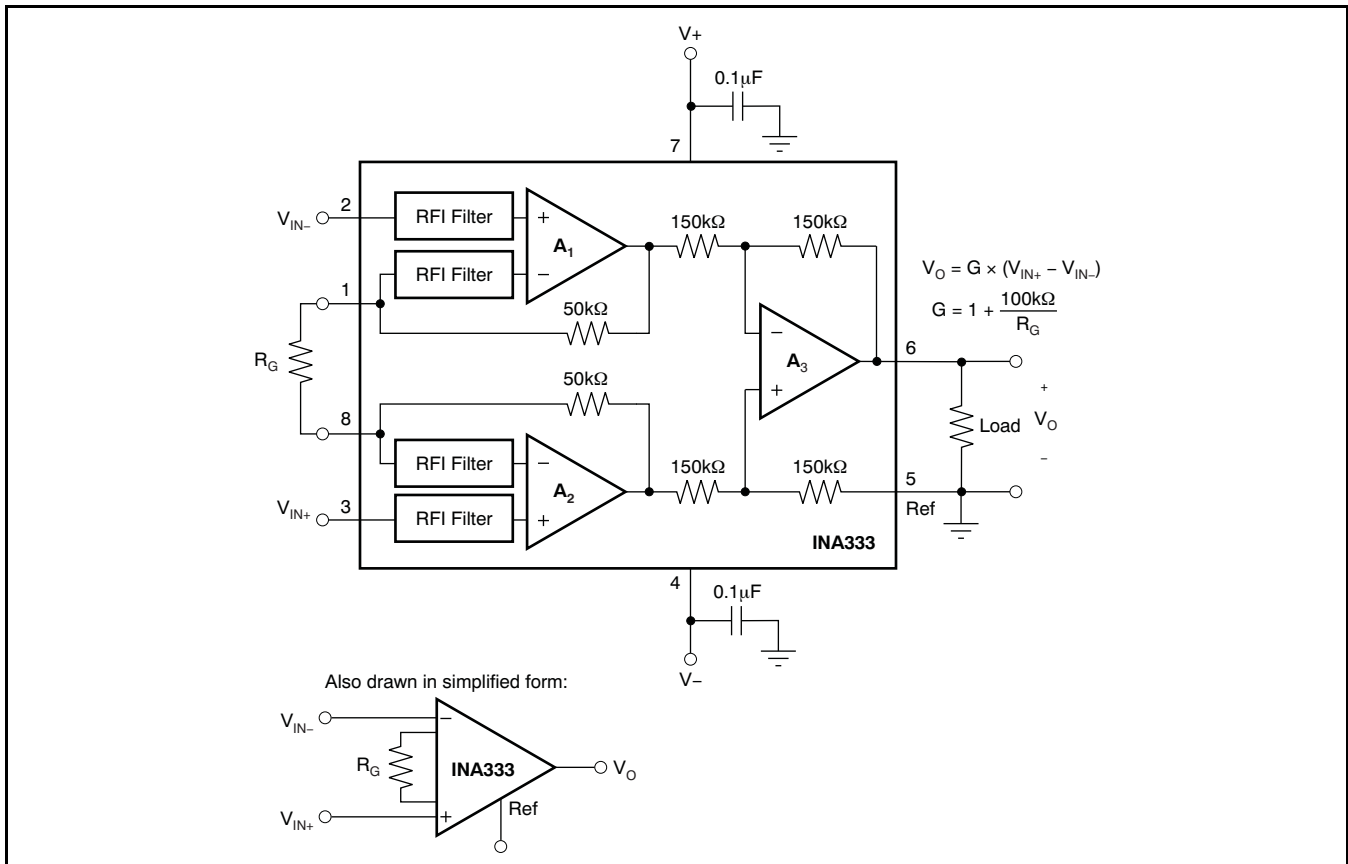


Figure 34. Basic Connections

Table 2. Commonly-Used Gains and Resistor Values

DESIRED GAIN	R _G (Ω)	NEAREST 1% R _G (Ω)
1	NC ⁽¹⁾	NC
2	100k	100k
5	25k	24.9k
10	11.1k	11k
20	5.26k	5.23k
50	2.04k	2.05
100	1.01k	1k
200	502.5	499
500	200.4	200
1000	100.1	100

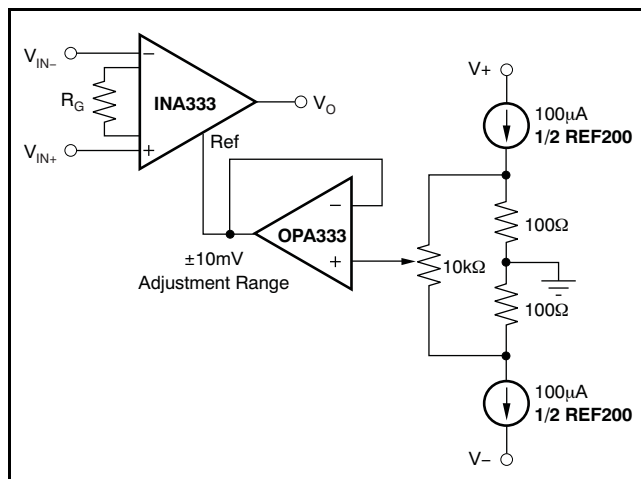
(1) NC denotes no connection. When using the SPICE model, the simulation will not converge unless a resistor is connected to the R_G pins; use a very large resistor value.

INTERNAL OFFSET CORRECTION

The INA333 internal op amps use an auto-calibration technique with a time-continuous 350-kHz op amp in the signal path. The amplifier is zero-corrected every 8 μ s using a proprietary technique. Upon power-up, the amplifier requires approximately 100 μ s to achieve specified V_{OS} accuracy. This design has no aliasing or flicker noise.

OFFSET TRIMMING

Most applications require no external offset adjustment; however, if necessary, adjustments can be made by applying a voltage to the REF terminal. [Figure 35](#) shows an optional circuit for trimming the output offset voltage. The voltage applied to REF terminal is summed at the output. The op amp buffer provides low impedance at the REF terminal to preserve good common-mode rejection.



(1) REF200 and OPA333 are not tested or characterized at 210°C.

Figure 35. Optional Trimming of Output Offset Voltage

NOISE PERFORMANCE

The auto-calibration technique used by the INA333 results in reduced low frequency noise, typically only 50 nV/ $\sqrt{\text{Hz}}$, ($G = 100$). The spectral noise density can be seen in detail in [Figure 10](#). Low frequency noise of the INA333 is approximately 1 μ V_{PP} measured from 0.1 Hz to 10 Hz, ($G = 100$).

INPUT BIAS CURRENT RETURN PATH

The input impedance of the INA333 is extremely high—approximately 100 G Ω . However, a path must be provided for the input bias current of both inputs. This input bias current is typically ± 70 pA. High input impedance means that this input bias current changes very little with varying input voltage.

Input circuitry must provide a path for this input bias current for proper operation. [Figure 36](#) illustrates various provisions for an input bias current path. Without a bias current path, the inputs will float to a potential that exceeds the common-mode range of the INA333, and the input amplifiers will saturate. If the differential source resistance is low, the bias current return path can be connected to one input (see the thermocouple example in [Figure 36](#)). With higher source impedance, using two equal resistors provides a balanced input with possible advantages of lower input offset voltage as a result of bias current and better high-frequency common-mode rejection.

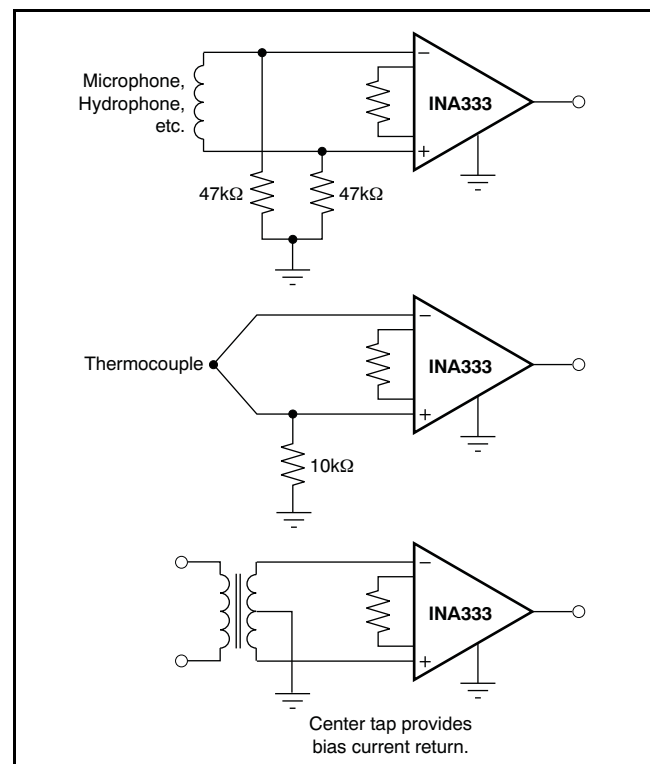


Figure 36. Providing an Input Common-Mode Current Path

INPUT COMMON-MODE RANGE

The linear input voltage range of the input circuitry of the INA333 is from approximately 0.1 V below the positive supply voltage to 0.1 V above the negative supply. As a differential input voltage causes the output voltage to increase, however, the linear input range is limited by the output voltage swing of amplifiers A_1 and A_2 . Thus, the linear common-mode input range is related to the output voltage of the complete amplifier. This behavior also depends on supply voltage—see Typical Characteristic curves *Typical Common-Mode Range vs Output Voltage* ([Figure 22](#) to [Figure 25](#)).

Input overload conditions can produce an output voltage that appears normal. For example, if an input overload condition drives both input amplifiers to the respective positive output swing limit, the difference voltage measured by the output amplifier is near zero. The output of the INA333 is near 0 V even though both inputs are overloaded.

OPERATING VOLTAGE

The INA333 operates over a power-supply range of +1.8 V to +5.5 V (± 0.9 V to ± 2.75 V). Supply voltages higher than +7 V (absolute maximum) can permanently damage the device. Parameters that vary over supply voltage or temperature are shown in the [Typical Characteristics](#) section of this data sheet.

LOW VOLTAGE OPERATION

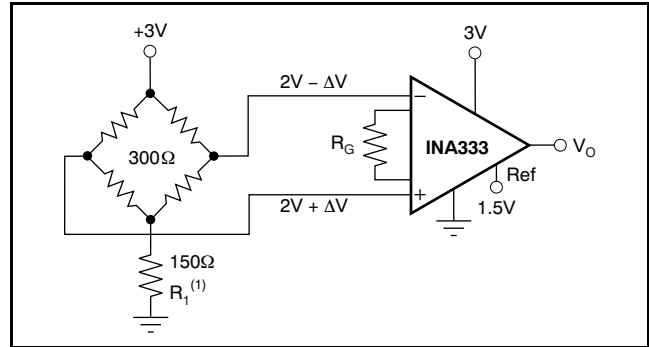
The INA333 can be operated on power supplies as low as ± 0.9 V. Most parameters vary only slightly throughout this supply voltage range—see the [Typical Characteristics](#) section. Operation at very low supply voltage requires careful attention to assure that the input voltages remain within the linear range. Voltage swing requirements of internal nodes limit the input common-mode range with low power-supply voltage. The Typical Characteristic curves *Typical Common-Mode Range vs Output Voltage* (Figure 22 to Figure 25) show the range of linear operation for various supply voltages and gains.

SINGLE-SUPPLY OPERATION

The INA333 can be used on single power supplies of +1.8 V to +5.5 V. Figure 37 illustrates a basic single-supply circuit. The output REF terminal is connected to mid-supply. Zero differential input voltage demands an output voltage of mid-supply. Actual output voltage swing is limited to approximately 50 mV above ground, when the load is referred to ground as shown. The typical characteristic curve *Output Voltage Swing vs Output Current* (Figure 31) shows how the output voltage swing varies with output current.

With single-supply operation, V_{IN+} and V_{IN-} must both be 0.1V above ground for linear operation. For instance, the inverting input cannot be connected to ground to measure a voltage connected to the noninverting input.

To illustrate the issues affecting low voltage operation, consider the circuit in Figure 37. It shows the INA333 operating from a single 3-V supply. A resistor in series with the low side of the bridge assures that the bridge output voltage is within the common-mode range of the amplifier inputs.



(1) R_1 creates proper common-mode voltage, only for low-voltage operation—see the [Single-Supply Operation](#) section.

Figure 37. Single-Supply Bridge Amplifier

INPUT PROTECTION

The input terminals of the INA333 are protected with internal diodes connected to the power-supply rails. These diodes clamp the applied signal to prevent it from damaging the input circuitry. If the input signal voltage can exceed the power supplies by more than 0.3 V, the input signal current should be limited to less than 10 mA to protect the internal clamp diodes. This current limiting can generally be done with a series input resistor. Some signal sources are inherently current-limited and do not require limiting resistors.

GENERAL LAYOUT GUIDELINES

Attention to good layout practices is always recommended. Keep traces short and, when possible, use a printed circuit board (PCB) ground plane with surface-mount components placed as close to the device pins as possible. Place a 0.1- μ F bypass capacitor closely across the supply pins. These guidelines should be applied throughout the analog circuit to improve performance and provide benefits such as reducing the electromagnetic-interference (EMI) susceptibility.

Instrumentation amplifiers vary in the susceptibility to radio-frequency interference (RFI). RFI can generally be identified as a variation in offset voltage or dc signal levels with changes in the interfering RF signal. The INA333 has been specifically designed to minimize susceptibility to RFI by incorporating passive RC filters with an 8-MHz corner frequency at the V_{IN+} and V_{IN-} inputs. As a result, the INA333 demonstrates remarkably low sensitivity compared to previous generation devices. Strong RF fields may continue to cause varying offset levels, however, and may require additional shielding.

APPLICATION IDEAS

Additional application ideas are shown in [Figure 38](#) to [Figure 41](#).

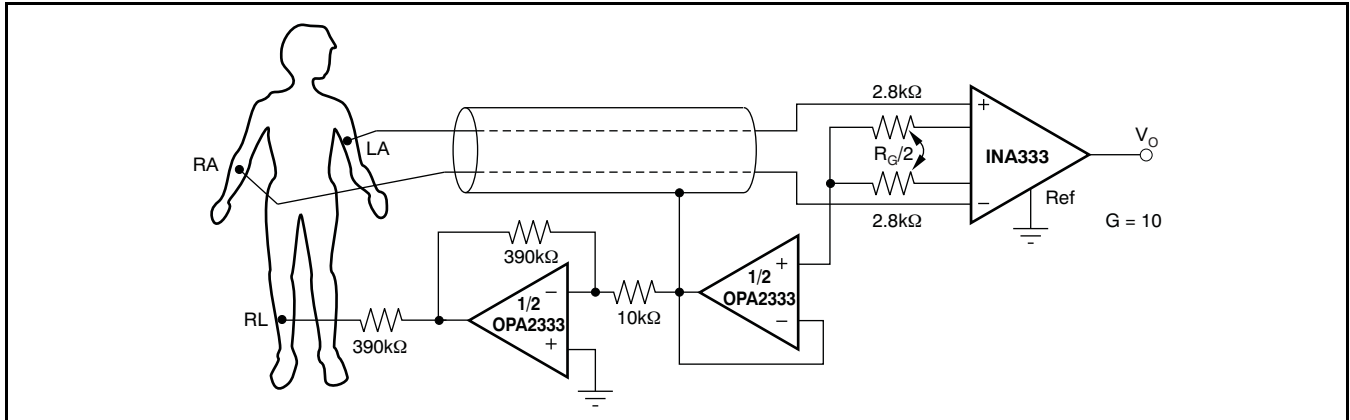
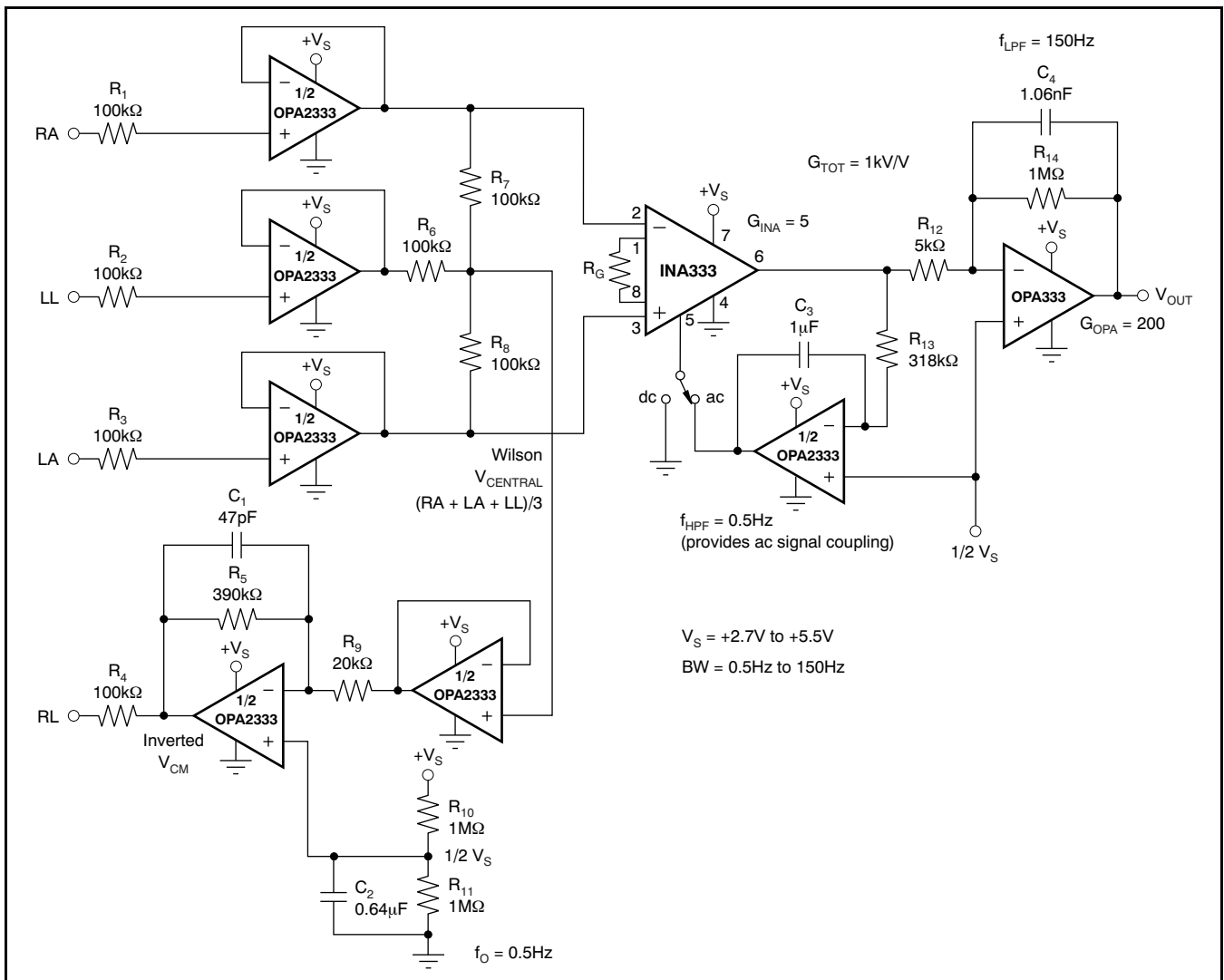


Figure 38. ECG Amplifier With Right-Leg Drive



(1) OPA333 is not tested or characterized at 210°C.

Figure 39. Single-Supply, Very Low Power, ECG Circuit

**TINA-TI
(FREE DOWNLOAD SOFTWARE)**

Using TINA-TI SPICE-Based Analog Simulation Program with the INA333

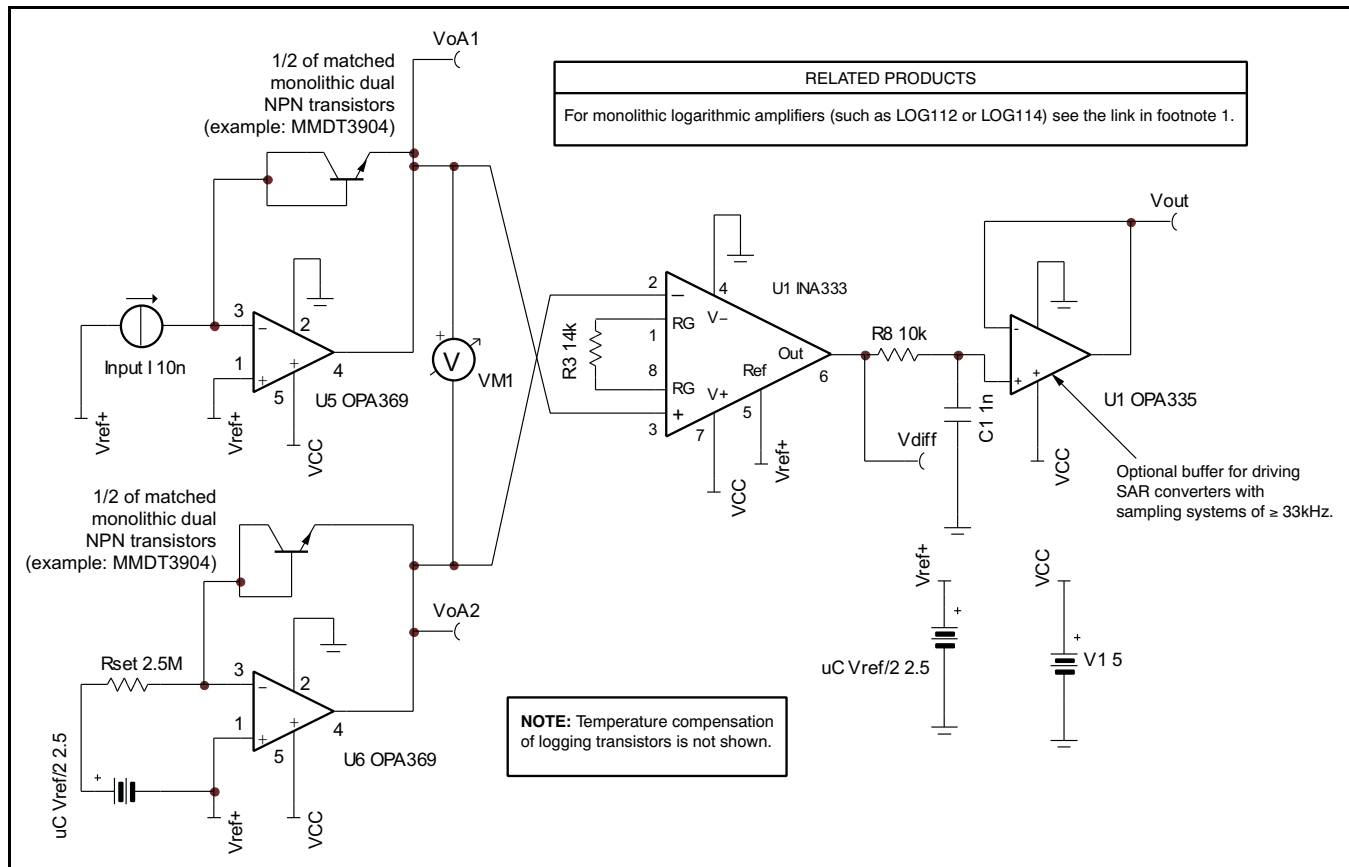
TINA is a simple, powerful, and easy-to-use circuit simulation program based on a SPICE engine. TINA-TI is a free, fully functional version of the TINA software, preloaded with a library of macromodels in addition to a range of both passive and active models. It provides all the conventional dc, transient, and frequency domain analysis of SPICE as well as additional design capabilities.

Available as a free download from the [Analog eLab Design Center](#), TINA-TI offers extensive post-processing capability that allows users to format results in a variety of ways.

Virtual instruments offer users the ability to select input waveforms and probe circuit nodes, voltages, and waveforms, creating a dynamic quick-start tool.

Figure 40 and Figure 41 show example TINA-TI circuits for the INA333 that can be used to develop, modify, and assess the circuit design for specific applications. Links to download these simulation files are given below.

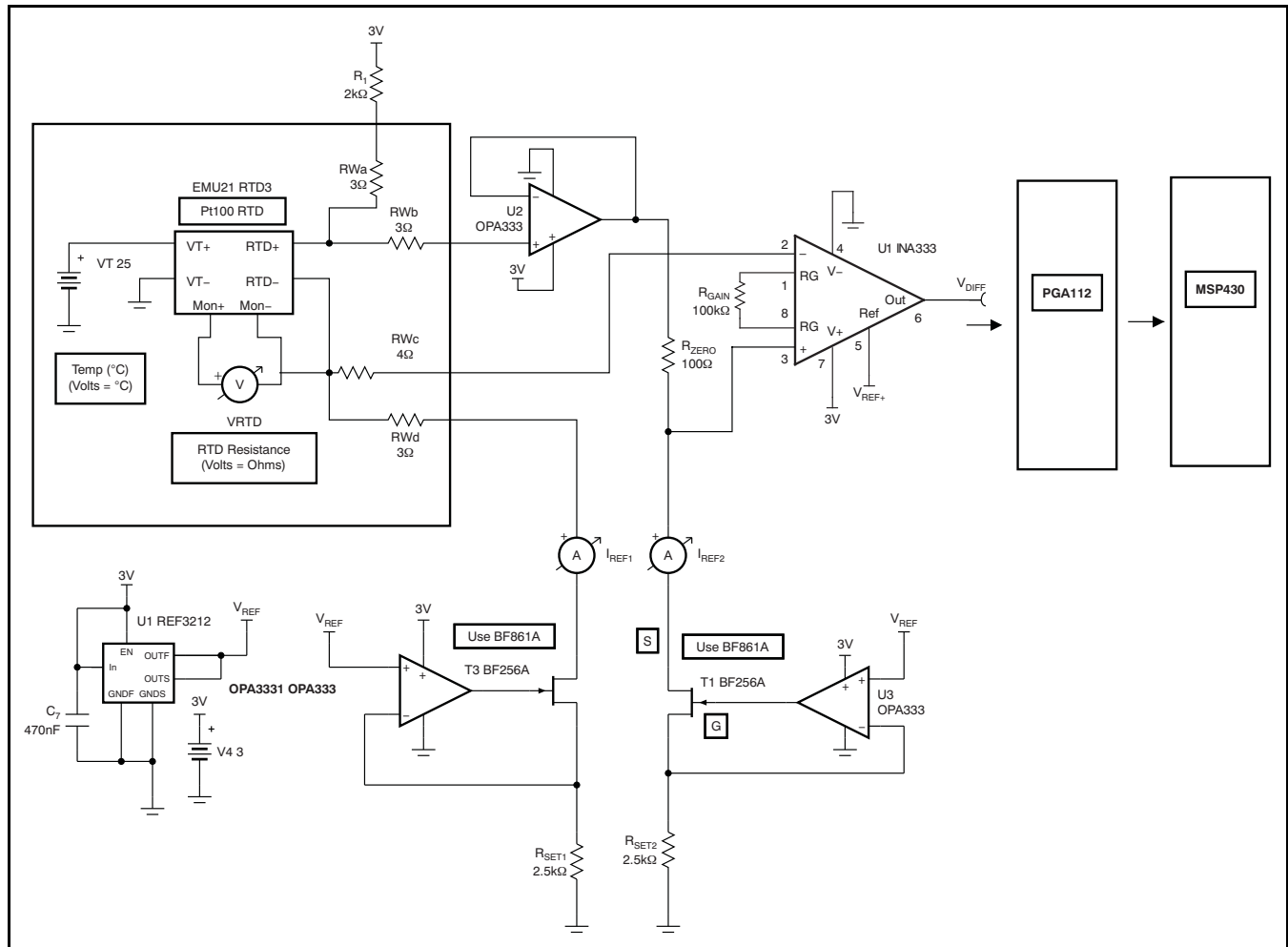
NOTE: these files require that either the TINA software (from DesignSoft) or TINA-TI software be installed. Download the free TINA-TI software from the [TINA-TI folder](#).



- (1) The following link launches the TI logarithmic amplifiers web page: [Logarithmic Amplifier Products Home Page](#)
- (2) OPA369 and OPA335 are not characterized at 210°C.

Figure 40. Low-Power Log Function Circuit for Portable Battery-Powered Systems (Example Glucose Meter)

To download a compressed file that contains the TINA-TI simulation file for this circuit, click the following link: [Log Circuit](#).



- (1) R_{Wa} , R_{Wb} , R_{Wc} , and R_{Wd} simulate wire resistance. These resistors are included to show the four-wire sense technique immunity to line mismatches. This method assumes the use of a four-wire RTD.
- (2) In this diagram, only INA333 is tested and characterized at 210°C.

Figure 41. Four-Wire, 3V Conditioner for a PT100 RTD With Programmable Gain Acquisition System

To download a compressed file that contains the TINA-TI simulation file for this circuit, click the following link: [PT100 RTD](#).

PACKAGING INFORMATION

Orderable Device	Status (1)	Package Type	Package Drawing	Pins	Package Qty	Eco Plan (2)	Lead/Ball Finish	MSL Peak Temp (3)	Samples (Requires Login)
INA333SHKJ	ACTIVE	CFP	HKJ	8	1	TBD	Call TI	N / A for Pkg Type	
INA333SHKQ	ACTIVE	CFP	HKQ	8	1	TBD	AU	N / A for Pkg Type	
INA333SJD	ACTIVE	CDIP SB	JD	8	1	TBD	POST-PLATE	N / A for Pkg Type	
INA333SKGD1	ACTIVE	XCEPT	KGD	0	240	TBD	Call TI	N / A for Pkg Type	
INA333SKGD2	ACTIVE	XCEPT	KGD	0	10	TBD	Call TI	Call TI	

(1) The marketing status values are defined as follows:

ACTIVE: Product device recommended for new designs.

LIFEBUY: TI has announced that the device will be discontinued, and a lifetime-buy period is in effect.

NRND: Not recommended for new designs. Device is in production to support existing customers, but TI does not recommend using this part in a new design.

PREVIEW: Device has been announced but is not in production. Samples may or may not be available.

OBsolete: TI has discontinued the production of the device.

(2) Eco Plan - The planned eco-friendly classification: Pb-Free (RoHS), Pb-Free (RoHS Exempt), or Green (RoHS & no Sb/Br) - please check <http://www.ti.com/productcontent> for the latest availability information and additional product content details.

TBD: The Pb-Free/Green conversion plan has not been defined.

Pb-Free (RoHS): TI's terms "Lead-Free" or "Pb-Free" mean semiconductor products that are compatible with the current RoHS requirements for all 6 substances, including the requirement that lead not exceed 0.1% by weight in homogeneous materials. Where designed to be soldered at high temperatures, TI Pb-Free products are suitable for use in specified lead-free processes.

Pb-Free (RoHS Exempt): This component has a RoHS exemption for either 1) lead-based flip-chip solder bumps used between the die and package, or 2) lead-based die adhesive used between the die and leadframe. The component is otherwise considered Pb-Free (RoHS compatible) as defined above.

Green (RoHS & no Sb/Br): TI defines "Green" to mean Pb-Free (RoHS compatible), and free of Bromine (Br) and Antimony (Sb) based flame retardants (Br or Sb do not exceed 0.1% by weight in homogeneous material)

(3) MSL, Peak Temp. -- The Moisture Sensitivity Level rating according to the JEDEC industry standard classifications, and peak solder temperature.

Important Information and Disclaimer: The information provided on this page represents TI's knowledge and belief as of the date that it is provided. TI bases its knowledge and belief on information provided by third parties, and makes no representation or warranty as to the accuracy of such information. Efforts are underway to better integrate information from third parties. TI has taken and continues to take reasonable steps to provide representative and accurate information but may not have conducted destructive testing or chemical analysis on incoming materials and chemicals. TI and TI suppliers consider certain information to be proprietary, and thus CAS numbers and other limited information may not be available for release.

In no event shall TI's liability arising out of such information exceed the total purchase price of the TI part(s) at issue in this document sold by TI to Customer on an annual basis.

OTHER QUALIFIED VERSIONS OF INA333-HT :

- Catalog: [INA333](#)

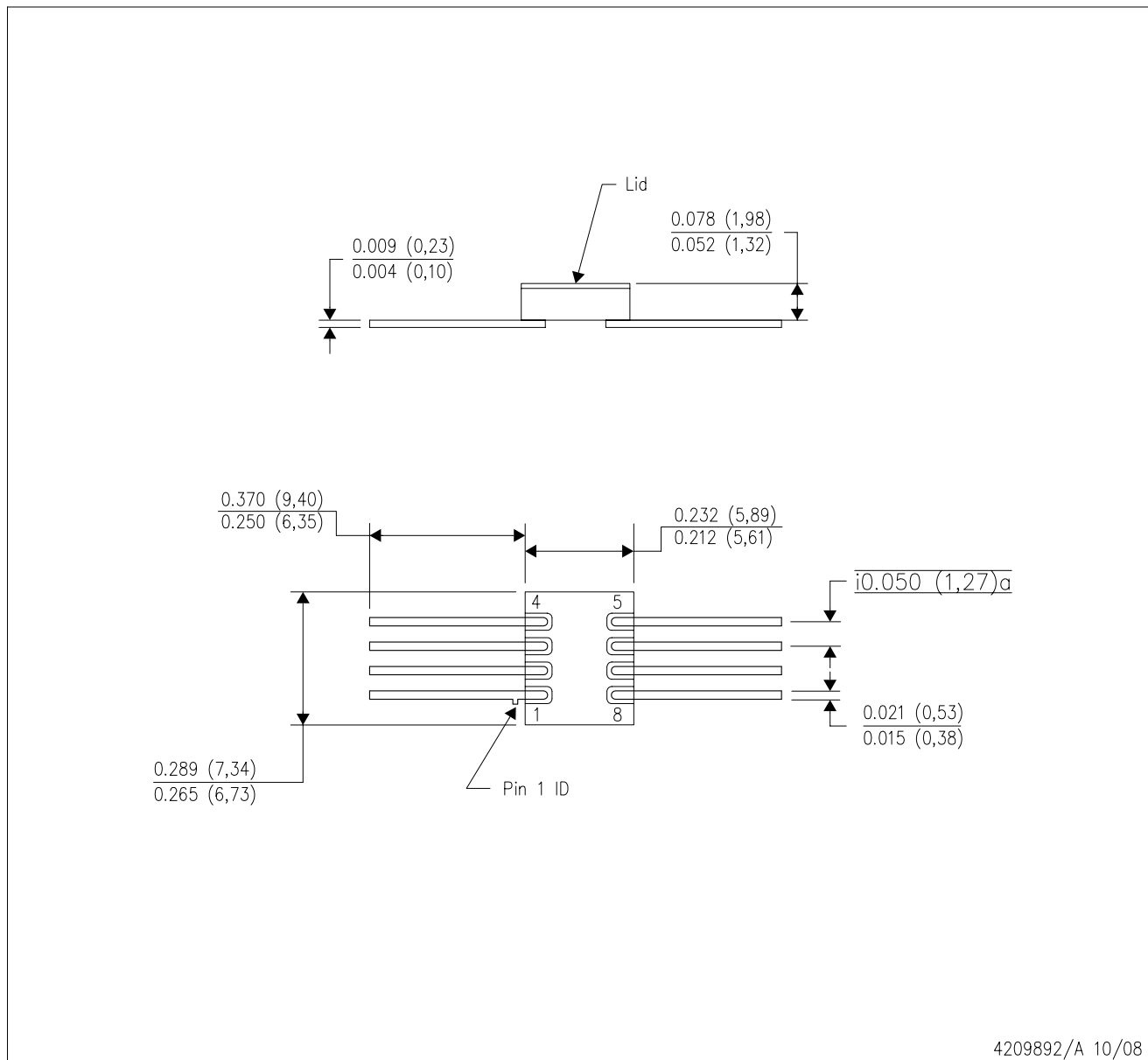
NOTE: Qualified Version Definitions:

- Catalog - TI's standard catalog product

MECHANICAL DATA

HKJ (R-CDFP-F8)

CERAMIC DUAL FLATPACK

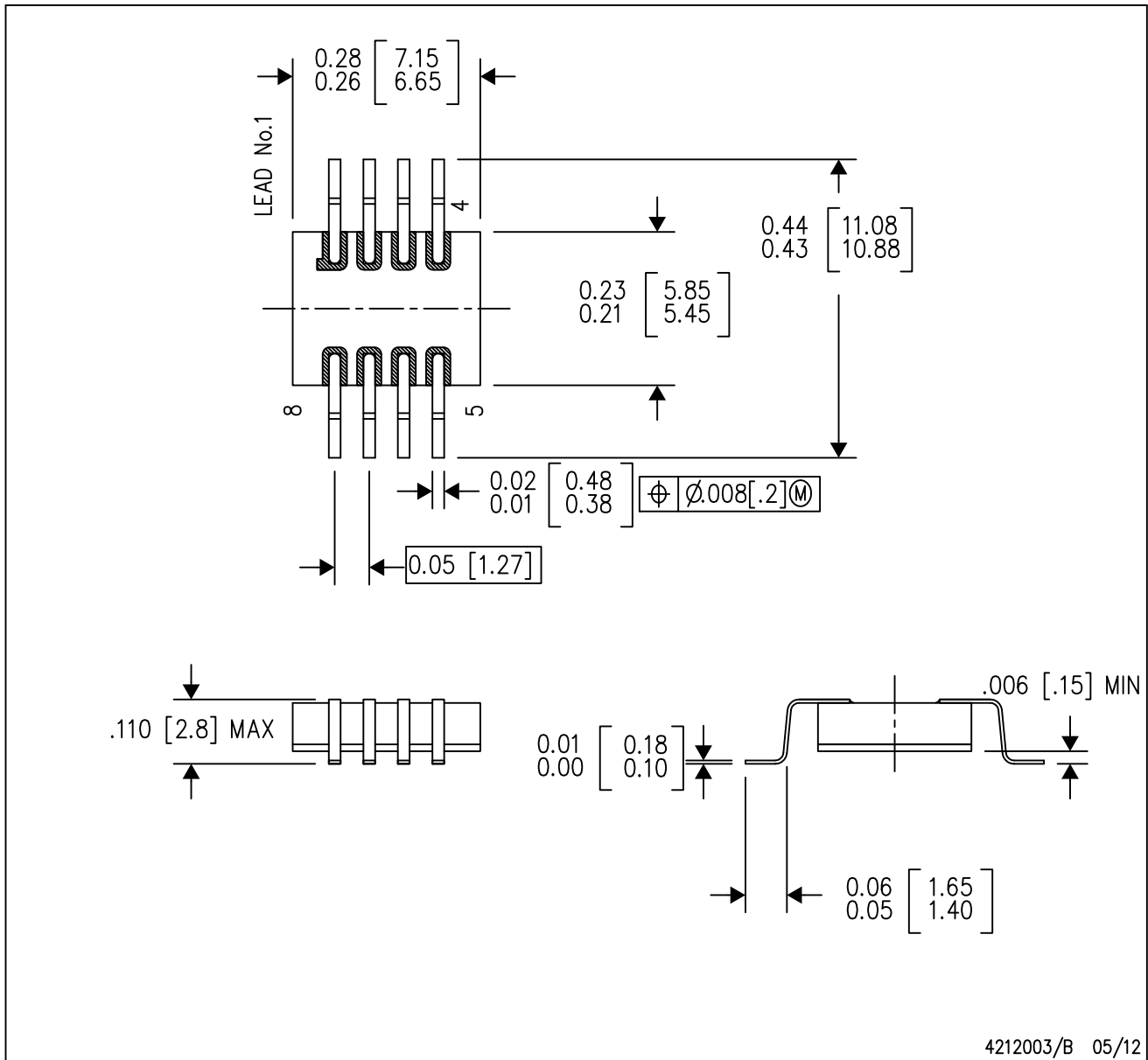


- NOTES:
- A. All linear dimensions are in inches (millimeters).
 - B. This drawing is subject to change without notice.
 - C. This package can be hermetically sealed with a metal lid.
 - D. The terminals will be gold plated.

MECHANICAL DATA

HKQ (R-CDFP-G8)

CERAMIC GULL WING



- NOTES:
- All linear dimensions are in inches (millimeters).
 - This drawing is subject to change without notice.
 - This package can be hermetically sealed with a metal lid.
 - The terminals will be gold plated.
 - Lid is not connected to any lead.

IMPORTANT NOTICE

Texas Instruments Incorporated and its subsidiaries (TI) reserve the right to make corrections, enhancements, improvements and other changes to its semiconductor products and services per JESD46, latest issue, and to discontinue any product or service per JESD48, latest issue. Buyers should obtain the latest relevant information before placing orders and should verify that such information is current and complete. All semiconductor products (also referred to herein as "components") are sold subject to TI's terms and conditions of sale supplied at the time of order acknowledgment.

TI warrants performance of its components to the specifications applicable at the time of sale, in accordance with the warranty in TI's terms and conditions of sale of semiconductor products. Testing and other quality control techniques are used to the extent TI deems necessary to support this warranty. Except where mandated by applicable law, testing of all parameters of each component is not necessarily performed.

TI assumes no liability for applications assistance or the design of Buyers' products. Buyers are responsible for their products and applications using TI components. To minimize the risks associated with Buyers' products and applications, Buyers should provide adequate design and operating safeguards.

TI does not warrant or represent that any license, either express or implied, is granted under any patent right, copyright, mask work right, or other intellectual property right relating to any combination, machine, or process in which TI components or services are used. Information published by TI regarding third-party products or services does not constitute a license to use such products or services or a warranty or endorsement thereof. Use of such information may require a license from a third party under the patents or other intellectual property of the third party, or a license from TI under the patents or other intellectual property of TI.

Reproduction of significant portions of TI information in TI data books or data sheets is permissible only if reproduction is without alteration and is accompanied by all associated warranties, conditions, limitations, and notices. TI is not responsible or liable for such altered documentation. Information of third parties may be subject to additional restrictions.

Resale of TI components or services with statements different from or beyond the parameters stated by TI for that component or service voids all express and any implied warranties for the associated TI component or service and is an unfair and deceptive business practice. TI is not responsible or liable for any such statements.

Buyer acknowledges and agrees that it is solely responsible for compliance with all legal, regulatory and safety-related requirements concerning its products, and any use of TI components in its applications, notwithstanding any applications-related information or support that may be provided by TI. Buyer represents and agrees that it has all the necessary expertise to create and implement safeguards which anticipate dangerous consequences of failures, monitor failures and their consequences, lessen the likelihood of failures that might cause harm and take appropriate remedial actions. Buyer will fully indemnify TI and its representatives against any damages arising out of the use of any TI components in safety-critical applications.

In some cases, TI components may be promoted specifically to facilitate safety-related applications. With such components, TI's goal is to help enable customers to design and create their own end-product solutions that meet applicable functional safety standards and requirements. Nonetheless, such components are subject to these terms.

No TI components are authorized for use in FDA Class III (or similar life-critical medical equipment) unless authorized officers of the parties have executed a special agreement specifically governing such use.

Only those TI components which TI has specifically designated as military grade or "enhanced plastic" are designed and intended for use in military/aerospace applications or environments. Buyer acknowledges and agrees that any military or aerospace use of TI components which have **not** been so designated is solely at the Buyer's risk, and that Buyer is solely responsible for compliance with all legal and regulatory requirements in connection with such use.

TI has specifically designated certain components as meeting ISO/TS16949 requirements, mainly for automotive use. In any case of use of non-designated products, TI will not be responsible for any failure to meet ISO/TS16949.

Products

Audio	www.ti.com/audio
Amplifiers	amplifier.ti.com
Data Converters	dataconverter.ti.com
DLP® Products	www.dlp.com
DSP	dsp.ti.com
Clocks and Timers	www.ti.com/clocks
Interface	interface.ti.com
Logic	logic.ti.com
Power Mgmt	power.ti.com
Microcontrollers	microcontroller.ti.com
RFID	www.ti-rfid.com
OMAP Applications Processors	www.ti.com/omap
Wireless Connectivity	www.ti.com/wirelessconnectivity

Applications

Automotive and Transportation	www.ti.com/automotive
Communications and Telecom	www.ti.com/communications
Computers and Peripherals	www.ti.com/computers
Consumer Electronics	www.ti.com/consumer-apps
Energy and Lighting	www.ti.com/energy
Industrial	www.ti.com/industrial
Medical	www.ti.com/medical
Security	www.ti.com/security
Space, Avionics and Defense	www.ti.com/space-avionics-defense
Video and Imaging	www.ti.com/video

TI E2E Community

e2e.ti.com