

**±15kV ESD Protected, +3V to +5.5V,  
1 Microamp, 250Kbps, RS-232  
Transmitter/Receiver**

The Intersil ISL83384E contains 3.0V to 5.5V powered RS-232 transmitters/receivers which meet EIA/TIA-232 and V.28/V.24 specifications, even at  $V_{CC} = 3.0V$ . Targeted applications are PDAs, Palmtops, and notebook and laptop computers where the low operational, and even lower standby, power consumption is critical. Efficient on-chip charge pumps, coupled with a manual powerdown function reduces the standby supply current to a 1 $\mu$ A trickle. Small footprint packaging, and the use of small, low value capacitors ensure board space savings as well. Data rates greater than 250Kbps are guaranteed at worst case load conditions. This device is fully compatible with 3.3V only systems, mixed 3.3V and 5.0V systems, and 5.0V only systems.

The single pin powerdown function ( $\overline{SHDN} = 0$ ) disables all the transmitters and receivers, while shutting down the charge pump to minimize supply current drain.

Table 1 summarizes the features of the ISL83384E, while Application Note AN9863 summarizes the features of each device comprising the ICL32XX 3V family.

**Ordering Information**

| PART NUMBER   | TEMP. RANGE (°C) | PACKAGE       | PKG. NO. |
|---------------|------------------|---------------|----------|
| ISL83384ECB   | 0 to 70          | 18 Ld SOIC    | M18.3    |
| ISL83384ECB-T | 0 to 70          | Tape and Reel | M18.3    |
| ISL83384ECA   | 0 to 70          | 20 Ld SSOP    | M20.209  |
| ISL83384ECA-T | 0 to 70          | Tape and Reel | M20.209  |
| ISL83384EIA   | -40 to 85        | 20 Ld SSOP    | M20.209  |
| ISL83384EIA-T | -40 to 85        | Tape and Reel | M20.209  |

**TABLE 1. SUMMARY OF FEATURES**

| PART NUMBER | NO. OF Tx. | NO. OF Rx. | NO. OF MONITOR Rx. (R <sub>OUTB</sub> ) | DATA RATE (Kbps) | Rx. ENABLE FUNCTION? | READY OUTPUT? | MANUAL POWER-DOWN? | AUTOMATIC POWERDOWN FUNCTION? |
|-------------|------------|------------|---|------------------|----------------------|---------------|--------------------|-------------------------------|
| ISL83384E   | 2          | 2          | 0                                       | 250              | NO                   | NO            | YES                | NO                            |

**Features**

- ESD Protection for RS-232 I/O Pins to ±15kV (IEC61000)
- Drop In Replacement for MAX3384E, SP385E
- Low Power, Pin Compatible Upgrade for 5V MAX222, SP310E, ADM222, and LT1780
- Single  $\overline{SHDN}$  Pin Disables Transmitters and Receivers
- Meets EIA/TIA-232 and V.28/V.24 Specifications at 3V
- RS-232 Compatible with  $V_{CC} = 2.7V$
- Latch-Up Free
- On-Chip Voltage Converters Require Only Four External 0.1 $\mu$ F Capacitors
- Receiver Hysteresis For Improved Noise Immunity
- Very Low Supply Current . . . . . 0.3mA
- Guaranteed Minimum Data Rate . . . . . 250Kbps
- Guaranteed Minimum Slew Rate . . . . . 6V/ $\mu$ s
- Wide Power Supply Range . . . . . Single +3V to +5.5V
- Low Supply Current in Powerdown State. . . . . < 1 $\mu$ A

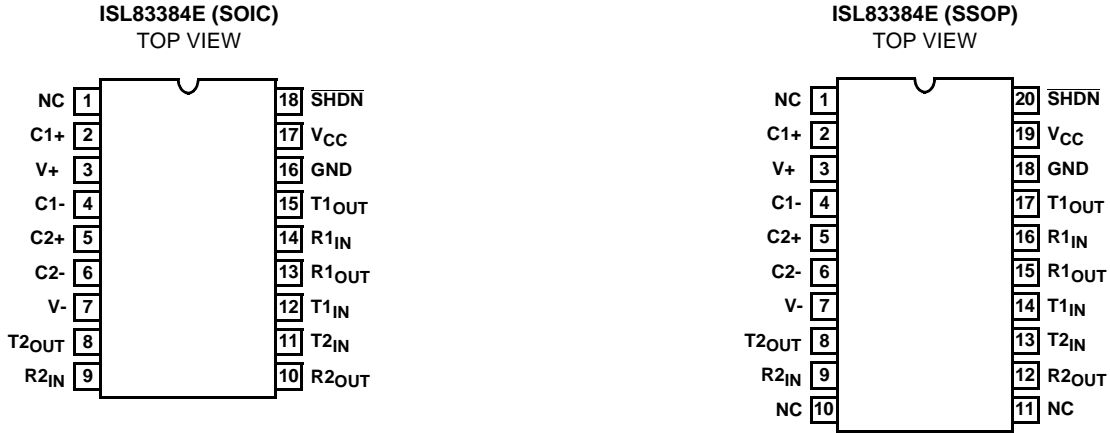
**Applications**

- Any System Requiring RS-232 Communication Ports
  - Battery Powered, Hand-Held, and Portable Equipment
  - Laptop Computers, Notebooks, Palmtops
  - Modems, Printers and other Peripherals
  - Digital Cameras
  - Cellular/Mobile Phones

**Related Literature**

- Technical Brief TB363 "Guidelines for Handling and Processing Moisture Sensitive Surface Mount Devices (SMDs)"
- AN9863, "3V to +5.5V, 250k-1Mbps, RS-232 Transmitters/Receivers"

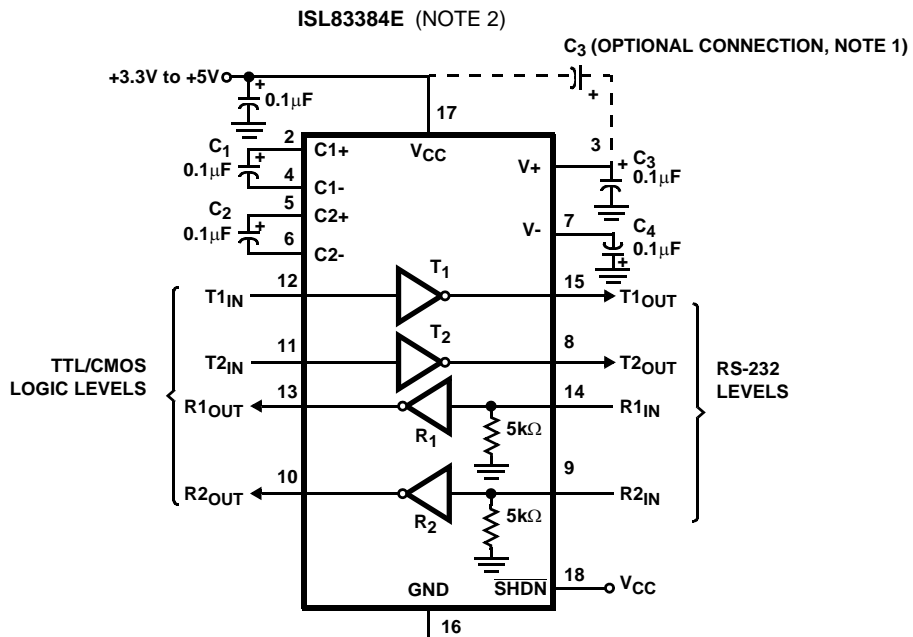
Pinouts



Pin Descriptions

| PIN              | FUNCTION   |
|------------------|--|
| V <sub>CC</sub>  | System power supply input (3.0V to 5.5V).  |
| V+               | Internally generated positive transmitter supply (+5.5V).  |
| V-               | Internally generated negative transmitter supply (-5.5V).  |
| GND              | Ground connection.   |
| C1+              | External capacitor (voltage doubler) is connected to this lead.  |
| C1-              | External capacitor (voltage doubler) is connected to this lead.  |
| C2+              | External capacitor (voltage inverter) is connected to this lead.   |
| C2-              | External capacitor (voltage inverter) is connected to this lead.   |
| T <sub>IN</sub>  | TTL/CMOS compatible transmitter Inputs.  |
| T <sub>OUT</sub> | ±15kV ESD Protected, RS-232 level (nominally ±5.5V) transmitter outputs.   |
| R <sub>IN</sub>  | ±15kV ESD Protected, RS-232 compatible receiver inputs.  |
| R <sub>OUT</sub> | TTL/CMOS level receiver outputs.   |
| SHDN             | Active low input to shut down transmitters, receivers, and on-board power supply, to place device in low power mode. |

Typical Operating Circuits



NOTES:

1. The negative terminal of C<sub>3</sub> can be connected to either V<sub>CC</sub> or GND.
2. Pin numbers refer to SOIC package.

**Absolute Maximum Ratings**

|                               |                                |
|-------------------------------|--------------------------------|
| V <sub>CC</sub> to Ground     | -0.3V to 6V                    |
| V+ to Ground                  | -0.3V to 7V                    |
| V- to Ground                  | +0.3V to -7V                   |
| V+ to V-                      | 14V                            |
| <b>Input Voltages</b>         |                                |
| T <sub>IN, SHDN</sub>         | -0.3V to 6V                    |
| R <sub>IN</sub>               | ±25V                           |
| <b>Output Voltages</b>        |                                |
| T <sub>OUT</sub>              | ±13.2V                         |
| R <sub>OUT</sub>              | -0.3V to V <sub>CC</sub> +0.3V |
| <b>Short Circuit Duration</b> |                                |
| T <sub>OUT</sub>              | Continuous                     |
| ESD Rating                    | See Specification Table        |

**Thermal Information**

|  |                                     |
|--|-------------------------------------|
| Thermal Resistance (Typical, Note 3)             | θ <sub>JA</sub> (°C/W)              |
| 18 Ld SOIC Package                               | 75                                  |
| 20 Ld SSOP Package                               | 122                                 |
| Moisture Sensitivity (see Technical Brief TB363) |                                     |
| All Packages                                     | Level 1                             |
| Maximum Junction Temperature (Plastic Package)   | 150°C                               |
| Maximum Storage Temperature Range                | -65°C to 150°C                      |
| Maximum Lead Temperature (Soldering 10s)         | 300°C (SOIC, SSOP - Lead Tips Only) |

**Operating Conditions**

|                   |               |
|-------------------|---------------|
| Temperature Range |               |
| ISL83384ECX       | 0°C to 70°C   |
| ISL83384EIX       | -40°C to 85°C |

CAUTION: Stresses above those listed in "Absolute Maximum Ratings" may cause permanent damage to the device. This is a stress only rating and operation of the device at these or any other conditions above those indicated in the operational sections of this specification is not implied.

NOTE:

- θ<sub>JA</sub> is measured with the component mounted on a low effective thermal conductivity test board in free air. See Tech Brief TB379 for details.

**Electrical Specifications** Test Conditions: V<sub>CC</sub> = 3V to 5.5V, C<sub>1</sub> - C<sub>4</sub> = 0.1µF; Unless Otherwise Specified. Typical values are at T<sub>A</sub> = 25°C

| PARAMETER  | TEST CONDITIONS  | TEMP (°C) | MIN                  | TYP                  | MAX  | UNITS |
|--|--|-----------|----------------------|----------------------|------|-------|
| <b>DC CHARACTERISTICS</b>                                |  |           |                      |                      |      |       |
| Supply Current, Powerdown                                | SHDN = GND   | 25        | -                    | 0.1                  | 5    | µA    |
|  |  | Full      | -                    | 1                    | 50   | µA    |
| Supply Current, Enabled                                  | All Outputs Unloaded, SHDN = V <sub>CC</sub>                             | Full      | -                    | 0.3                  | 3.0  | mA    |
| <b>LOGIC AND TRANSMITTER INPUTS AND RECEIVER OUTPUTS</b> |  |           |                      |                      |      |       |
| Input Logic Threshold Low                                | T <sub>IN, SHDN</sub>  | Full      | -                    | -                    | 0.8  | V     |
| Input Logic Threshold High                               | T <sub>IN, SHDN</sub>  | Full      | 2.4                  | -                    | -    | V     |
| Input Leakage Current                                    | T <sub>IN, SHDN</sub>  | Full      | -                    | ±0.01                | ±1.0 | µA    |
| Output Leakage Current                                   | SHDN = GND   | Full      | -                    | ±0.05                | ±10  | µA    |
| Output Voltage Low                                       | I <sub>OUT</sub> = 3.2mA   | Full      | -                    | -                    | 0.4  | V     |
| Output Voltage High                                      | I <sub>OUT</sub> = -1.0mA  | Full      | V <sub>CC</sub> -0.6 | V <sub>CC</sub> -0.1 | -    | V     |
| <b>RECEIVER INPUTS</b>                                   |  |           |                      |                      |      |       |
| Input Voltage Range                                      |  | Full      | -25                  | -                    | 25   | V     |
| Input Threshold Low                                      | V <sub>CC</sub> = 3.3V   | 25        | 0.6                  | 1.2                  | -    | V     |
|  | V <sub>CC</sub> = 5.0V   | Full      | 0.8                  | 1.5                  | -    | V     |
| Input Threshold High                                     | V <sub>CC</sub> = 3.3V   | 25        | -                    | 1.5                  | 2.4  | V     |
|  | V <sub>CC</sub> = 5.0V   | Full      | -                    | 1.8                  | 2.4  | V     |
| Input Hysteresis   |  | Full      | 0.2                  | 0.5                  | 1    | V     |
| Input Resistance   |  | Full      | 3                    | 5                    | 7    | kΩ    |
| <b>TRANSMITTER OUTPUTS</b>                               |  |           |                      |                      |      |       |
| Output Voltage Swing                                     | All Transmitter Outputs Loaded with 3kΩ to Ground                        | Full      | ±5.0                 | ±5.4                 | -    | V     |
| Output Resistance  | V <sub>CC</sub> = V+ = V- = 0V, Transmitter Output = ±2V                 | Full      | 300                  | 10M                  | -    | Ω     |
| Output Short-Circuit Current                             |  | Full      | ±7                   | ±35                  | -    | mA    |
| Output Leakage Current                                   | V <sub>OUT</sub> = ±12V, V <sub>CC</sub> = 0V or 3V to 5.5V, SHDN = GND  | Full      | -                    | -                    | ±10  | µA    |
| <b>TIMING CHARACTERISTICS</b>                            |  |           |                      |                      |      |       |
| Maximum Data Rate  | R <sub>L</sub> = 3kΩ, C <sub>L</sub> = 1000pF, One Transmitter Switching | Full      | 250                  | 500                  | -    | Kbps  |

**Electrical Specifications** Test Conditions:  $V_{CC} = 3V$  to  $5.5V$ ,  $C_1 - C_4 = 0.1\mu F$ ; Unless Otherwise Specified.  
Typicals are at  $T_A = 25^\circ C$  (Continued)

| PARAMETER                            | TEST CONDITIONS   |   | TEMP (°C) | MIN | TYP      | MAX | UNITS     |
|--------------------------------------|---|---|-----------|-----|----------|-----|-----------|
| Transmitter Propagation Delay        | Transmitter Input to Transmitter Output, $C_L = 1000pF$                       | $t_{PHL}$                                   | Full      | -   | 0.6      | 3.5 | $\mu s$   |
|                                      |   | $t_{PLH}$                                   | Full      | -   | 0.7      | 3.5 | $\mu s$   |
| Receiver Propagation Delay           | Receiver Input to Receiver Output, $C_L = 150pF$                              | $t_{PHL}$                                   | Full      | -   | 0.2      | 1   | $\mu s$   |
|                                      |   | $t_{PLH}$                                   | Full      | -   | 0.3      | 1   | $\mu s$   |
| Transmitter Output Enable Time       | From $\overline{SHDN}$ Rising Edge to $T_{OUT} = \pm 3V$                      |   | 25        | -   | 50       | -   | $\mu s$   |
| Transmitter Output Disable Time      | From $\overline{SHDN}$ Falling Edge to $T_{OUT} = \pm 5V$                     |   | 25        | -   | 600      | -   | ns        |
| Transmitter Skew                     | $t_{PHL} - t_{PLH}$ (Note 4)  |   | 25        | -   | 100      | -   | ns        |
| Receiver Skew                        | $t_{PHL} - t_{PLH}$   |   | 25        | -   | 100      | -   | ns        |
| Transition Region Slew Rate          | $R_L = 3k\Omega$ to $7k\Omega$ , Measured From $3V$ to $-3V$ or $-3V$ to $3V$ | $V_{CC} = 3.3V$ , $C_L = 150pF$ to $2500pF$ | 25        | 4   | -        | -   | $V/\mu s$ |
|                                      |   | $V_{CC} = 4.5V$ , $C_L = 150pF$ to $2500pF$ | 25        | 6   | -        | -   | $V/\mu s$ |
| <b>ESD PERFORMANCE</b>               |   |   |           |     |          |     |           |
| RS-232 Pins ( $T_{OUT}$ , $R_{IN}$ ) | Human Body Model  |   | 25        | -   | $\pm 15$ | -   | kV        |
|                                      | IEC61000-4-2 Contact Discharge  |   | 25        | -   | $\pm 8$  | -   | kV        |
|                                      | IEC61000-4-2 Air Gap Discharge  |   | 25        | -   | $\pm 15$ | -   | kV        |
| All Other Pins                       | Human Body Model  |   | 25        | -   | $\pm 3$  | -   | kV        |

NOTE:

4. Transmitter skew is measured at the transmitter zero crossing points.

### Detailed Description

The ISL83384E operates from a single +3V to +5.5V supply, guarantees a 250Kbps minimum data rate, requires only four small external 0.1 $\mu F$  capacitors, features low power consumption, and meets all EIA RS-232C and V.28 specifications. The circuit is divided into three sections: The charge pump, the transmitters, and the receivers.

#### Charge-Pump

Intersil's new ISL83384E utilizes regulated on-chip dual charge pumps as voltage doublers, and voltage inverters to generate  $\pm 5.5V$  transmitter supplies from a  $V_{CC}$  supply as low as 3.0V. This allows these devices to maintain RS-232 compliant output levels over the  $\pm 10\%$  tolerance range of 3.3V powered systems. The efficient on-chip power supplies require only four small, external 0.1 $\mu F$  capacitors for the voltage doubler and inverter functions over the full  $V_{CC}$  range. The charge pumps operate discontinuously (i.e., they turn off as soon as the V+ and V- supplies are pumped up to the nominal values), resulting in significant power savings.

#### Transmitters

The transmitters are proprietary, low dropout, inverting drivers that translate TTL/CMOS inputs to EIA/TIA-232 output levels. Coupled with the on-chip  $\pm 5.5V$  supplies, these transmitters deliver true RS-232 levels over a wide range of single supply system voltages.

All transmitter outputs disable and assume a high impedance state when the device enters the powerdown mode (see Table 2). These outputs may be driven to  $\pm 12V$  when disabled.

All devices guarantee a 250Kbps data rate for full load conditions (3k $\Omega$  and 1000pF),  $V_{CC} \geq 3.0V$ , with one transmitter operating at full speed. Under more typical conditions of  $V_{CC} \geq 3.3V$ ,  $R_L = 3k\Omega$ , and  $C_L = 250pF$ , one transmitter easily operates at 900Kbps.

Transmitter inputs float if left unconnected (there are no pull-up resistors), and may cause  $I_{CC}$  increases. Connect unused inputs to GND for the best performance.

TABLE 2. POWERDOWN AND ENABLE LOGIC TRUTH TABLE

| SHDN INPUT | TRANSMITTER OUTPUTS | RECEIVER OUTPUTS | MODE OF OPERATION |
|------------|---------------------|------------------|-------------------|
| H          | Active              | Active           | Normal Operation  |
| L          | High-Z              | High-Z           | Manual Powerdown  |

#### Receivers

The ISL83384E contains standard inverting receivers that three-state via the  $\overline{SHDN}$  control line. Receivers driving powered down peripherals must be disabled to prevent current flow through the peripheral's protection diodes (see Figures 2 and 3).

All the receivers convert RS-232 signals to CMOS output levels and accept inputs up to  $\pm 30V$  while presenting the required  $3k\Omega$  to  $7k\Omega$  input impedance (see Figure 1) even if the power is off ( $V_{CC} = 0V$ ). The receivers' Schmitt trigger input stage uses hysteresis to increase noise immunity and decrease errors due to slow input signal transitions.

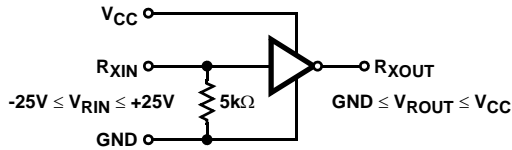


FIGURE 1. INVERTING RECEIVER CONNECTIONS

**Low Power Operation**

This 3V device requires a nominal supply current of 0.3mA, even at  $V_{CC} = 5.5V$ , during normal operation (not in powerdown mode). This is considerably less than the 11mA current required by comparable 5V RS-232 devices, allowing users to reduce system power simply by replacing the old style device with the ISL83384E.

**Low Power, Pin Compatible Replacement**

Pin compatibility with existing 5V products (e.g., MAX222), coupled with the wide operating supply range, make the ISL83384E a potential lower power, higher performance drop-in replacement for existing 5V applications. As long as the  $\pm 5V$  RS-232 output swings are acceptable, and transmitter pull-up resistors aren't required, the ISL83384E should work in most 5V applications.

When replacing a device in an existing 5V application, it is acceptable to terminate  $C_3$  to  $V_{CC}$  as shown on the "Typical Operating Circuit". Nevertheless, terminate  $C_3$  to GND if possible, as slightly better performance results from this configuration.

**Powerdown Functionality**

The already low current requirement drops significantly when the device enters powerdown mode. In powerdown, supply current drops to  $1\mu A$ , because the on-chip charge pump turns off ( $V+$  collapses to  $V_{CC}$ ,  $V-$  collapses to GND), and the transmitter and receiver outputs three-state. This micro-power mode makes these devices ideal for battery powered and portable applications.

**Software Controlled (Manual) Powerdown**

The ISL83384E may be forced into its low power, standby state via a simple shutdown ( $\overline{SHDN}$ ) pin (see Figure 4). Driving this pin high enables normal operation, while driving it low forces the IC into it's powerdown state. The time required to exit powerdown, and resume transmission is less than  $50\mu s$ . Connect  $\overline{SHDN}$  to  $V_{CC}$  if the powerdown function isn't needed.

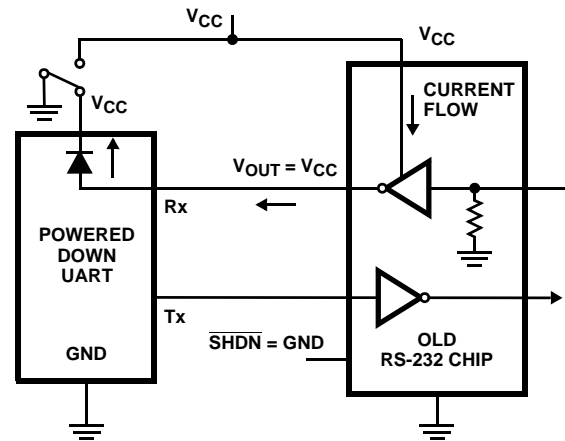


FIGURE 2. POWER DRAIN THROUGH POWERED DOWN PERIPHERAL

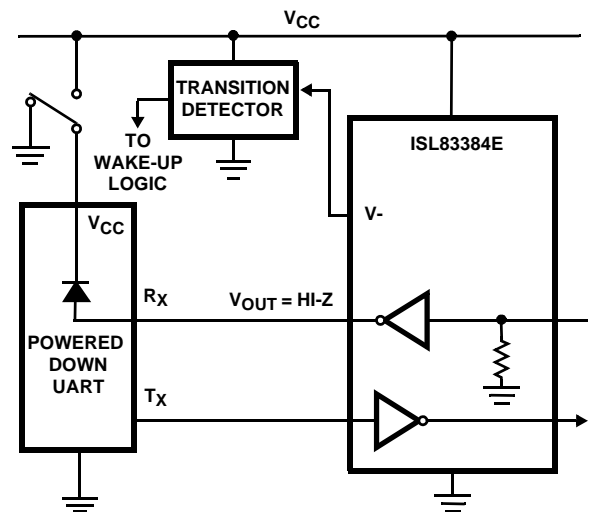


FIGURE 3. DISABLED RECEIVERS PREVENT POWER DRAIN

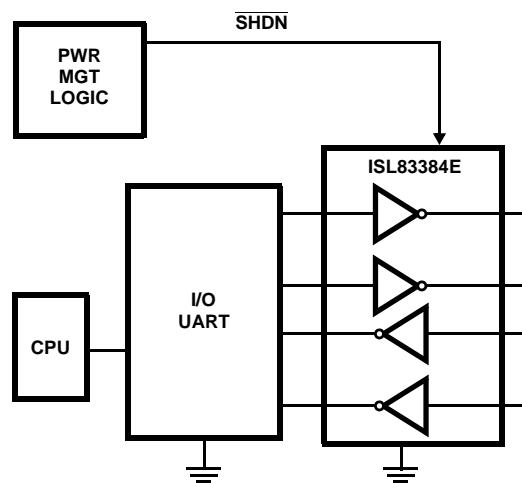


FIGURE 4. CONNECTIONS FOR MANUAL POWERDOWN

## Capacitor Selection

The charge pumps require  $0.1\mu\text{F}$  or greater capacitors for operation with  $3.3\text{V} \leq V_{\text{CC}} \leq 5.5\text{V}$ . Increasing the capacitor values (by a factor of 2) reduces ripple on the transmitter outputs and slightly reduces power consumption.  $C_2$ ,  $C_3$ , and  $C_4$  can be increased without increasing  $C_1$ 's value, however, do not increase  $C_1$  without also increasing  $C_2$ ,  $C_3$ , and  $C_4$  to maintain the proper ratios ( $C_1$  to the other capacitors).

When using minimum required capacitor values, make sure that capacitor values do not degrade excessively with temperature. If in doubt, use capacitors with a larger nominal value. The capacitor's equivalent series resistance (ESR) usually rises at low temperatures and it influences the amount of ripple on  $V+$  and  $V-$ .

## Operation Down to 2.7V

ISL83384E transmitter outputs meet RS-562 levels ( $\pm 3.7\text{V}$ ), at the full data rate, with  $V_{\text{CC}}$  as low as 2.7V. RS-562 levels typically ensure interoperability with RS-232 devices.

## Power Supply Decoupling

In most circumstances a  $0.1\mu\text{F}$  bypass capacitor is adequate. In applications that are particularly sensitive to power supply noise, decouple  $V_{\text{CC}}$  to ground with a capacitor of the same value as the charge-pump capacitor  $C_1$ . Connect the bypass capacitor as close as possible to the IC.

## Transmitter Outputs when Exiting Powerdown

Figure 5 shows the response of two transmitter outputs when exiting powerdown mode. As they activate, the two transmitter outputs properly go to opposite RS-232 levels, with no glitching, ringing, or undesirable transients. Each transmitter is loaded with  $3\text{k}\Omega$  in parallel with  $250\text{pF}$ . Note that the transmitters enable only when the magnitude of the supplies exceed approximately 3V.

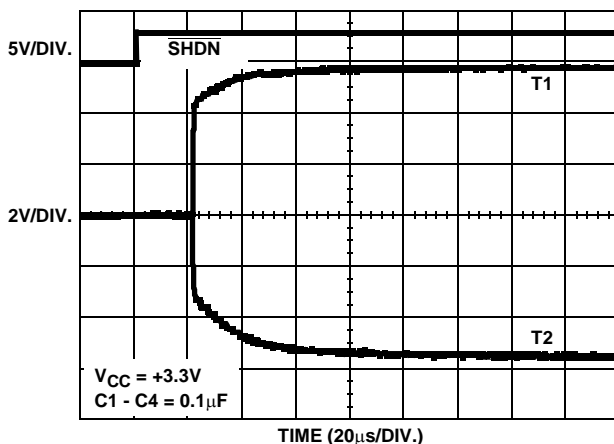


FIGURE 5. TRANSMITTER OUTPUTS WHEN EXITING POWERDOWN

## High Data Rates

The ISL83384E maintains the RS-232  $\pm 5\text{V}$  minimum transmitter output voltages even at high data rates. Figure 6 details a transmitter loopback test circuit, and Figure 7 illustrates the loopback test result at 120Kbps. For this test, all transmitters were simultaneously driving RS-232 loads in parallel with  $1000\text{pF}$ , at 120Kbps. Figure 8 shows the loopback results for a single transmitter driving  $1000\text{pF}$  and an RS-232 load at 250Kbps. The static transmitter was also loaded with an RS-232 receiver.

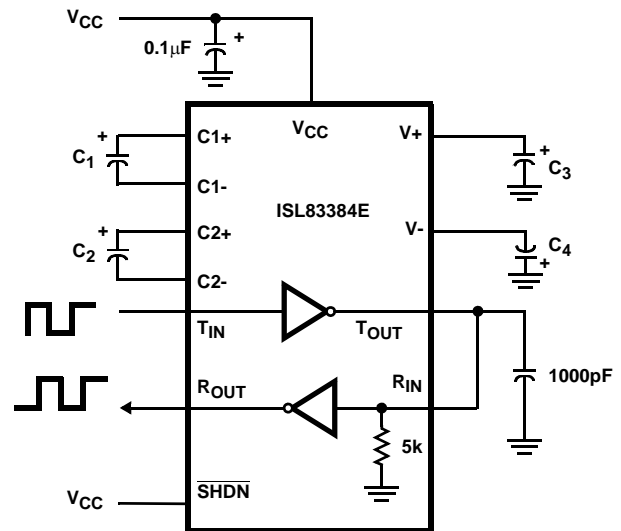


FIGURE 6. TRANSMITTER LOOPBACK TEST CIRCUIT

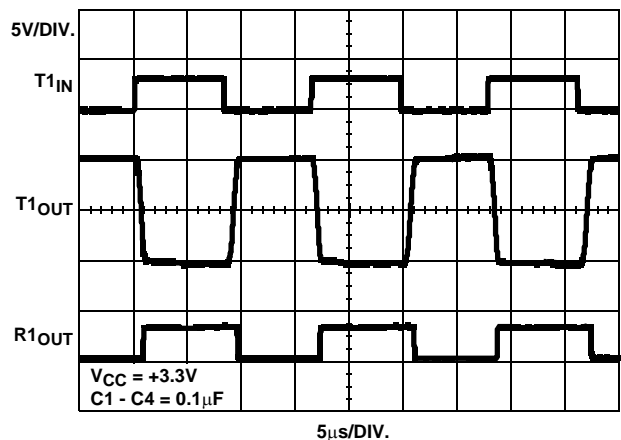


FIGURE 7. LOOPBACK TEST AT 120Kbps

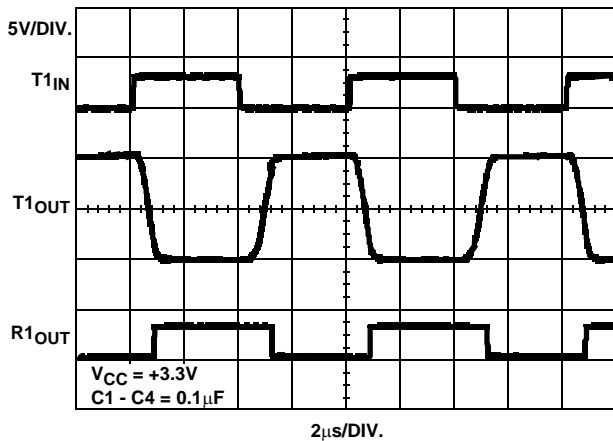


FIGURE 8. LOOPBACK TEST AT 250Kbps

### Interconnection with 3V and 5V Logic

The ISL83384E directly interfaces with 5V CMOS and TTL logic families. Nevertheless, with the device at 3.3V, and the logic supply at 5V, AC, HC, and CD4000 outputs can drive ISL83384E inputs, but ISL83384E outputs do not reach the minimum  $V_{IH}$  for these logic families. See Table 3 for more information.

TABLE 3. LOGIC FAMILY COMPATIBILITY WITH VARIOUS SUPPLY VOLTAGES

| SYSTEM POWER-SUPPLY VOLTAGE (V) | V <sub>CC</sub> SUPPLY VOLTAGE (V) | COMPATIBILITY   |
|---------------------------------|------------------------------------|---|
| 3.3                             | 3.3                                | Compatible with all CMOS families.  |
| 5                               | 5                                  | Compatible with all TTL and CMOS logic families.  |
| 5                               | 3.3                                | Compatible with ACT and HCT CMOS, and with TTL. ISL83384E outputs are incompatible with AC, HC, and CD4000 CMOS inputs. |

### ±15kV ESD Protection

All pins on ISL83XXX devices include ESD protection structures, but the ISL83384E incorporates advanced structures which allow the RS-232 pins (transmitter outputs and receiver inputs) to survive ESD events up to ±15kV. The RS-232 pins are particularly vulnerable to ESD damage because they typically connect to an exposed port on the exterior of the finished product. Simply touching the port pins, or connecting a cable, can cause an ESD event that might destroy unprotected ICs. These new ESD structures protect the device whether or not it is powered up, protect without allowing any latchup mechanism to activate, and don't interfere with RS-232 signals as large as ±25V.

### Human Body Model (HBM) Testing

As the name implies, this test method emulates the ESD event delivered to an IC during human handling. The tester delivers the charge through a 1.5kΩ current limiting resistor, making the test less severe than the IEC61000 test which utilizes a 330Ω limiting resistor. The HBM method determines an IC's ability to withstand the ESD transients typically present during handling and manufacturing. Due to the random nature of these events, each pin is tested with respect to all other pins. The RS-232 pins on "E" family devices can withstand HBM ESD events to ±15kV.

### IEC16000-4-2 Testing

The IEC61000 test method applies to finished equipment, rather than to an individual IC. Therefore, the pins most likely to suffer an ESD event are those that are exposed to the outside world (the RS-232 pins in this case), and the IC is tested in its typical application configuration (power applied) rather than testing each pin-to-pin combination. The lower current limiting resistor coupled with the larger charge storage capacitor yields a test that is much more severe than the HBM test. The extra ESD protection built into this device's RS-232 pins allows the design of equipment meeting level 4 criteria without the need for additional board level protection on the RS-232 port.

### AIR-GAP DISCHARGE TEST METHOD

For this test method, a charged probe tip moves toward the IC pin until the voltage arcs to it. The current waveform delivered to the IC pin depends on approach speed, humidity, temperature, etc., so it is difficult to obtain repeatable results. The "E" device RS-232 pins withstand ±15kV air-gap discharges.

### CONTACT DISCHARGE TEST METHOD

During the contact discharge test, the probe contacts the tested pin before the probe tip is energized, thereby eliminating the variables associated with the air-gap discharge. The result is a more repeatable and predictable test, but equipment limits prevent testing devices at voltages higher than ±8kV. All "E" family devices survive ±8kV contact discharges on the RS-232 pins.

**Typical Performance Curves**  $V_{CC} = 3.3V, T_A = 25^{\circ}C$

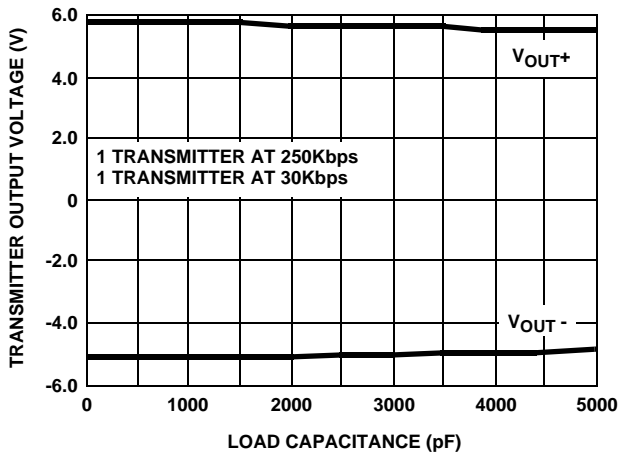


FIGURE 9. TRANSMITTER OUTPUT VOLTAGE vs LOAD CAPACITANCE

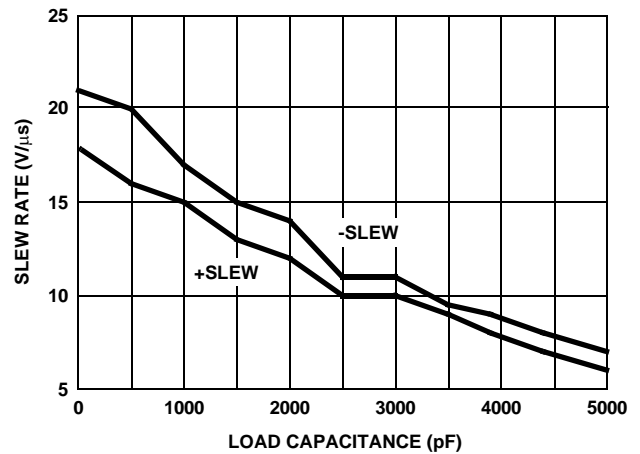


FIGURE 10. SLEW RATE vs LOAD CAPACITANCE

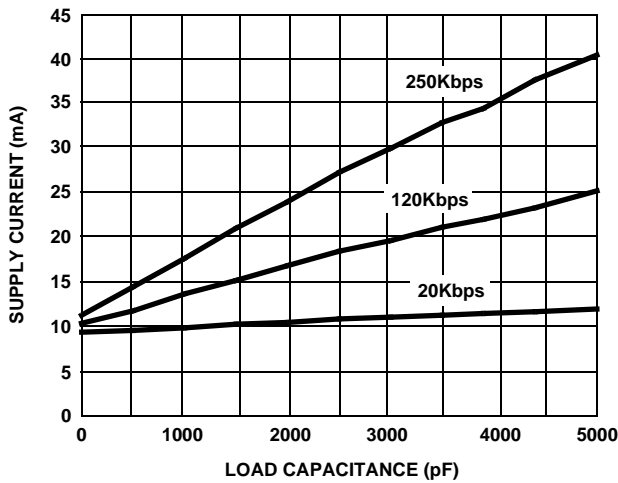


FIGURE 11. SUPPLY CURRENT vs LOAD CAPACITANCE WHEN TRANSMITTING DATA

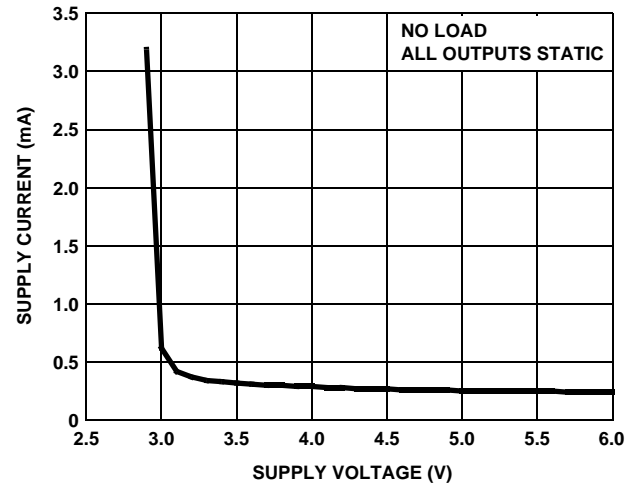


FIGURE 12. SUPPLY CURRENT vs SUPPLY VOLTAGE

**Die Characteristics**

**SUBSTRATE POTENTIAL (POWERED UP)**

GND

**TRANSISTOR COUNT**

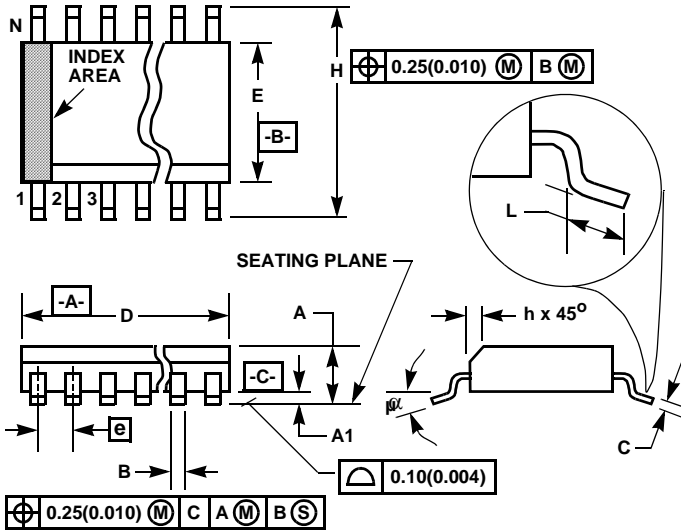
338

**PROCESS**

Si Gate CMOS



Small Outline Plastic Packages (SOIC)



M18.3 (JEDEC MS-013-AB ISSUE C)  
18 LEAD WIDE BODY SMALL OUTLINE PLASTIC PACKAGE

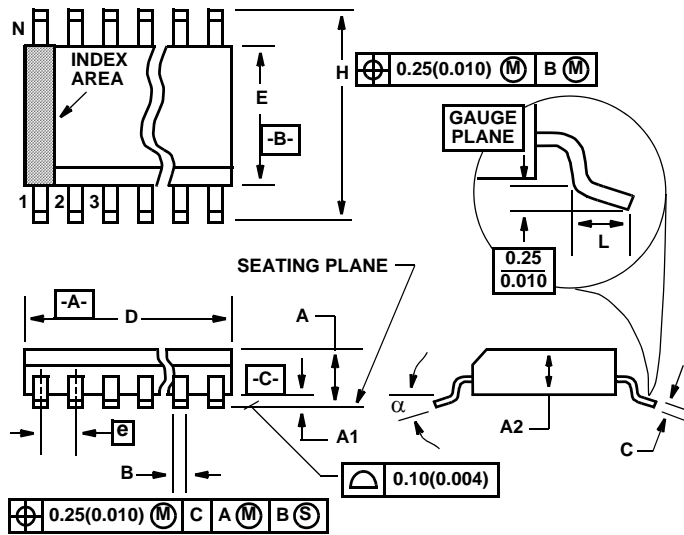
| SYMBOL   | INCHES    |        | MILLIMETERS |       | NOTES |
|----------|-----------|--------|-------------|-------|-------|
|          | MIN       | MAX    | MIN         | MAX   |       |
| A        | 0.0926    | 0.1043 | 2.35        | 2.65  | -     |
| A1       | 0.0040    | 0.0118 | 0.10        | 0.30  | -     |
| B        | 0.013     | 0.0200 | 0.33        | 0.51  | 9     |
| C        | 0.0091    | 0.0125 | 0.23        | 0.32  | -     |
| D        | 0.4469    | 0.4625 | 11.35       | 11.75 | 3     |
| E        | 0.2914    | 0.2992 | 7.40        | 7.60  | 4     |
| e        | 0.050 BSC |        | 1.27 BSC    |       | -     |
| H        | 0.394     | 0.419  | 10.00       | 10.65 | -     |
| h        | 0.010     | 0.029  | 0.25        | 0.75  | 5     |
| L        | 0.016     | 0.050  | 0.40        | 1.27  | 6     |
| N        | 18        |        | 18          |       | 7     |
| $\alpha$ | 0°        | 8°     | 0°          | 8°    | -     |

NOTES:

1. Symbols are defined in the "MO Series Symbol List" in Section 2.2 of Publication Number 95.
2. Dimensioning and tolerancing per ANSI Y14.5M-1982.
3. Dimension "D" does not include mold flash, protrusions or gate burrs. Mold flash, protrusion and gate burrs shall not exceed 0.15mm (0.006 inch) per side.
4. Dimension "E" does not include interlead flash or protrusions. Interlead flash and protrusions shall not exceed 0.25mm (0.010 inch) per side.
5. The chamfer on the body is optional. If it is not present, a visual index feature must be located within the crosshatched area.
6. "L" is the length of terminal for soldering to a substrate.
7. "N" is the number of terminal positions.
8. Terminal numbers are shown for reference only.
9. The lead width "B", as measured 0.36mm (0.014 inch) or greater above the seating plane, shall not exceed a maximum value of 0.61mm (0.024 inch)
10. Controlling dimension: MILLIMETER. Converted inch dimensions are not necessarily exact.

Rev. 0 12/93

Shrink Small Outline Plastic Packages (SSOP)



M20.209 (JEDEC MO-150-AE ISSUE B)  
20 LEAD SHRINK SMALL OUTLINE PLASTIC PACKAGE

| SYMBOL   | INCHES    |        | MILLIMETERS |        | NOTES |
|----------|-----------|--------|-------------|--------|-------|
|          | MIN       | MAX    | MIN         | MAX    |       |
| A        | 0.068     | 0.078  | 1.73        | 1.99   |       |
| A1       | 0.002     | 0.008' | 0.05        | 0.21   |       |
| A2       | 0.066     | 0.070' | 1.68        | 1.78   |       |
| B        | 0.010'    | 0.015  | 0.25        | 0.38   | 9     |
| C        | 0.004     | 0.008  | 0.09        | 0.20'  |       |
| D        | 0.278     | 0.289  | 7.07        | 7.33   | 3     |
| E        | 0.205     | 0.212  | 5.20'       | 5.38   | 4     |
| e        | 0.026 BSC |        | 0.65 BSC    |        |       |
| H        | 0.301     | 0.311  | 7.65        | 7.90'  |       |
| L        | 0.025     | 0.037  | 0.63        | 0.95   | 6     |
| N        | 20        |        | 20          |        | 7     |
| $\alpha$ | 0 deg.    | 8 deg. | 0 deg.      | 8 deg. |       |

NOTES:

1. Symbols are defined in the "MO Series Symbol List" in Section 2.2 of Publication Number 95.
2. Dimensioning and tolerancing per ANSI Y14.5M-1982.
3. Dimension "D" does not include mold flash, protrusions or gate burrs. Mold flash, protrusion and gate burrs shall not exceed 0.20mm (0.0078 inch) per side.
4. Dimension "E" does not include interlead flash or protrusions. Interlead flash and protrusions shall not exceed 0.20mm (0.0078 inch) per side.
5. The chamfer on the body is optional. If it is not present, a visual index feature must be located within the crosshatched area.
6. "L" is the length of terminal for soldering to a substrate.
7. "N" is the number of terminal positions.
8. Terminal numbers are shown for reference only.
9. Dimension "B" does not include dambar protrusion. Allowable dambar protrusion shall be 0.13mm (0.005 inch) total in excess of "B" dimension at maximum material condition.
10. Controlling dimension: MILLIMETER. Converted inch dimensions are not necessarily exact.

Rev. 3 11/02

All Intersil U.S. products are manufactured, assembled and tested utilizing ISO9000 quality systems. Intersil Corporation's quality certifications can be viewed at [www.intersil.com/design/quality](http://www.intersil.com/design/quality)

*Intersil products are sold by description only. Intersil Corporation reserves the right to make changes in circuit design, software and/or specifications at any time without notice. Accordingly, the reader is cautioned to verify that data sheets are current before placing orders. Information furnished by Intersil is believed to be accurate and reliable. However, no responsibility is assumed by Intersil or its subsidiaries for its use; nor for any infringements of patents or other rights of third parties which may result from its use. No license is granted by implication or otherwise under any patent or patent rights of Intersil or its subsidiaries.*

For information regarding Intersil Corporation and its products, see [www.intersil.com](http://www.intersil.com)