

Intel® Media Switch IXE2424 10/100+Gigabit L2/3/4 Advanced Device & IXE2426 10/100+Gigabit L2 Device



Product Description

The Intel® Media Switch IXE2424 10/100+Gigabit L2/3/4 Advanced Device and the IXE2426 10/100+Gigabit L2 Device facilitate the design of high port density, high-performance, and media-ready Fast Ethernet switching systems. Each single-chip device offers 24 10/100Mbps ports and four Gigabit ports as well as integrated 10/100 and Gigabit Media Access Controllers (MACs). The IXE2424 offers Layer 2/3/4 switching and routing while the IXE2426 offers Layer 2 switching capabilities.

The advanced features provided in the IXE2424 device enable you to design systems that deliver high-bandwidth voice, video, and data applications at wire speed. These designs can handle content-rich networks through its extensive functionality, which includes MPLS, Diffserv, WRED, and Quality of Service (QoS).

By combining either of these chips with other Intel Media Switch Devices, you can design high port density switching systems for Ethernet networks. The Intel Media Switch family offers a comprehensive solution—including silicon, software, and reference platforms—for faster time-to-market.

Intel is a leading supplier of communications building blocks, adding value at many integration levels. Intel's continuous innovation and advancements in Ethernet connectivity and processing in the network help deliver a wide choice of solutions that accelerate development and increase revenue opportunity.

Intel® Carrier-Class Ethernet

Many networking and telecom applications require high-performance Ethernet components capable of operating under harsh environmental conditions. The extended temperature version of the IXE2424, the IXE2424EE, supports

operation over the entire extended temperature range from -40° to $+85^{\circ}\text{C}$ and is one of the Intel® Carrier-Class Ethernet products. In addition to extended temperature range, Intel Carrier-Class Ethernet products provide features that increase reliability. Each device has an operation lifetime of at least 10 years with less than 100 failures per billion hours. All Intel Carrier-Class Ethernet devices will be available a minimum of 5 years from product introduction.

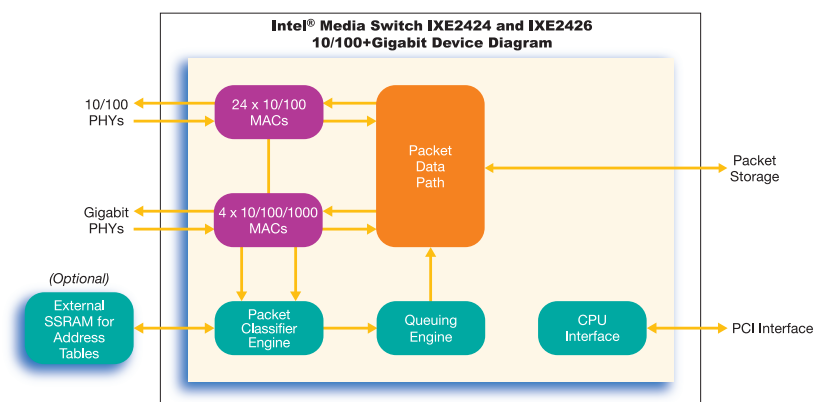
The Intel Carrier-Class Ethernet product portfolio includes solutions for Ethernet physical layer, switching, and repeater technologies at a variety of speeds. These products are ideal for applications where equipment must function reliably in uncontrolled environmental conditions, such as base stations, telecom/network switches, factory floor equipment, and industrial computers.

Applications

Key applications for the IXE2424 and IXE2426 devices include:

- Workgroup and enterprise 24+4 Layer 2/3/4 switch/router or 24+4 Layer 2 switch with Gigabit uplinks and advanced bandwidth management
- Cascadable, high-port count Layer 2/3/4 switch/router or Layer 2 switch when using one or all Gigabit ports for cascading
- 24+4 MPLS label edge switch or switch/router

developer.intel.com



Features

- Single-chip, 24-port 10/100 and 4-port Gigabit Ethernet Layer 2/3/4 switch/router (IXE2424) or Layer 2 switch (IXE2426)
- Wire-speed performance across all ports in switching & IP/MPLS routing modes (IXE2424) or switching mode (IXE2426)
- Hardware assistance for several Layer 2/3/4 or Layer 2 protocols such as STP, Multiple Spanning Trees (802.1s), Rapid Reconfiguration (802.1w), Port-Based Network Access Control (802.1x), GVRP and GMRP
- Link aggregation up to eight ports per group
- Fully compliant with VLAN implementation standards based on ports, tags, and addresses
- Support for MAC-based and switch-based statistics gathering on chip
- Connections to other devices using standards-based interfaces such as SERDES/GMII, SMII, PCI, I²C and SSRAM
- Low-cost mode of operation

Benefits

- High integration, compact footprint, and low power dissipation enable the design of high port density systems at the lowest per-port cost
- Delivers congestion-free performance through Enterprise switches during peak load periods
- Reduces complexity and cost of CPU subsystem, which can be significant in stacks or chassis designs
- Enables meshed configurations with redundant paths for fail-safe networks
- Enables flat plug-and-play networks that are easy to maintain
- Enables effective network management using counters with SNMP
- Simplifies system design and provides flexibility when used with other devices
- Enables a low-cost 24+4 Layer 2-only switch with no external address SSRAM
- Provides support for up to 6K Layer 2 addresses and 64 802.1Q VLANs without external SSRAM

Advanced Features (IXE2424 only)

- Advanced traffic prioritization, QoS, Diffserv, WRED, and bandwidth management capabilities
- Advanced multicast, broadcast, and filtering capabilities
- Support for multiple IP networks on a single port, as well as multiple ports on the same network
- Support for MPLS label edge router and label switch router configurations
- IXE2424EE version supports extended temperature range of -40° to +85°C

Benefits

- Enables the convergence of voice, video, and data traffic over Ethernet/IP networks
- Enables video and voice multicasting over IP networks
- Protects from broadcast storms
- Enables high-performance intranet firewalls
- Accommodates adds, moves and changes in network topology
- Enhances and simplifies packet forwarding through routers using MPLS labels for forwarding decisions
- Operates at the very high and low temperatures required for telecommunications applications

Support Collateral/Tools

Item	Description	Order Number
Manuals	■ Intel® Media Switch IXE2426 or IXE2424 Device Developer's Manual	Contact local sales rep
	■ Intel® Media Switch IXE2424/IXE2426 10/100+Gigabit Device Software Programmer's Manual	Contact local sales rep
Guides	■ Intel® Media Switch IXE2424/IXE2426 10/100+Gigabit Device Software Porting Guide	Contact local sales rep
	■ Intel® Media Switch IXC2424 Device Reference System User Guide	Contact local sales rep

Intel Access

Developer's Site	http://developer.intel.com
Networking Components Home Page	http://developer.intel.com/design/network
Other Intel Support: Intel Literature Center	http://developer.intel.com/design/litcentr (800) 548-4725 7 a.m. to 7 p.m. CST (U.S. and Canada) International locations please contact your local sales office.
General Information Hotline	(800) 628-8686 or (916) 356-3104 5 a.m. to 5 p.m. PST

*Other brands and names are the property of their respective owners. Intel and the Intel logo are trademarks or registered trademarks of Intel Corporation or its subsidiaries in the United States and other countries.

Information in this document is provided in connection with Intel® products. No license, express or implied, by estoppel or otherwise, to any intellectual property rights is granted by this document. Except as provided in Intel's Terms and Conditions of Sale for such products, Intel assumes no liability whatsoever, and Intel disclaims any express or implied warranty, relating to sale and/or use of Intel products including liability or warranties relating to fitness for a particular purpose, merchantability, or infringement of any patent, copyright, or other intellectual property right. Intel products are not intended for use in medical, life-saving or life-sustaining applications. Intel may make changes to specifications and product descriptions at any time, without notice.

Designers must not rely on the absence or characteristics of any features or instructions marked "reserved" or "undefined." Intel reserves these for future definition and shall have no responsibility whatsoever for conflicts or incompatibilities arising from future changes to them.



UNITED STATES AND CANADA Intel Corporation Robert Noyce Bldg. 2200 Mission College Blvd. P.O. Box 58119 Santa Clara, CA 95052-8119 USA	EUROPE Intel Corporation (UK) Ltd. Pipers Way Swindon Wiltshire SN3 1RJ UK	ASIA-PACIFIC Intel Semiconductor Ltd. 32/F Two Pacific Place 88 Queensway, Central Hong Kong	JAPAN Intel Japan (Tsukuba HQ) 5-6 Tokodai Tsukuba-shi 300-2635 Ibaraki-ken Japan	SOUTH AMERICA Intel Semicondutores do Brasil Ltda Av. Dr. Chucrí Zaidan, 940-10° andar 04583-904 São Paulo, SP Brazil
--	---	--	--	---