

VOLTAGE REGULATORS PLUS FILTER

PRELIMINARY DATA

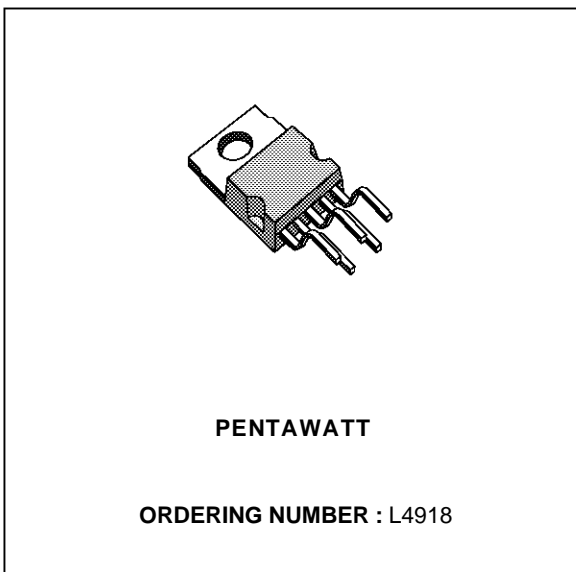
- FIXED OUTPUT VOLTAGE 8.5V
- 250mA OUTPUT CURRENT
- HIGH RIPPLE REJECTION
- HIGH LOAD REGULATION
- HIGH LINE REGULATION
- SHORT CIRCUIT PROTECTION
- THERMAL SHUT DOWN WITH HYSTERESIS
- DUMP PROTECTION

DESCRIPTION

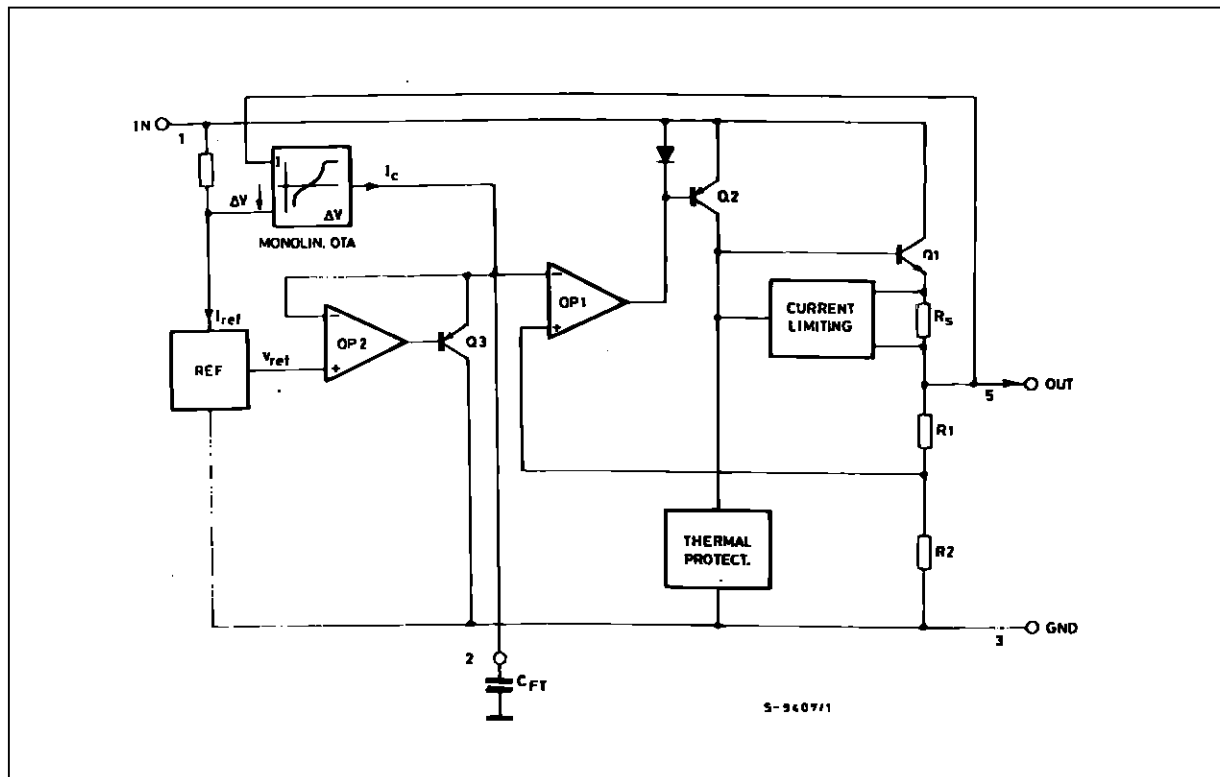
The L4918 combines both a filter and a voltage regulator in order to provide a high ripple rejection over a wider input voltage range.

A supervisor low-pass loop of the element prevents the output transistor from saturation at low input voltages.

The non linear behaviour of this control circuitry allows a fast setting of the filter.



BLOCK DIAGRAM



L4918

PIN CONNECTION (top view)

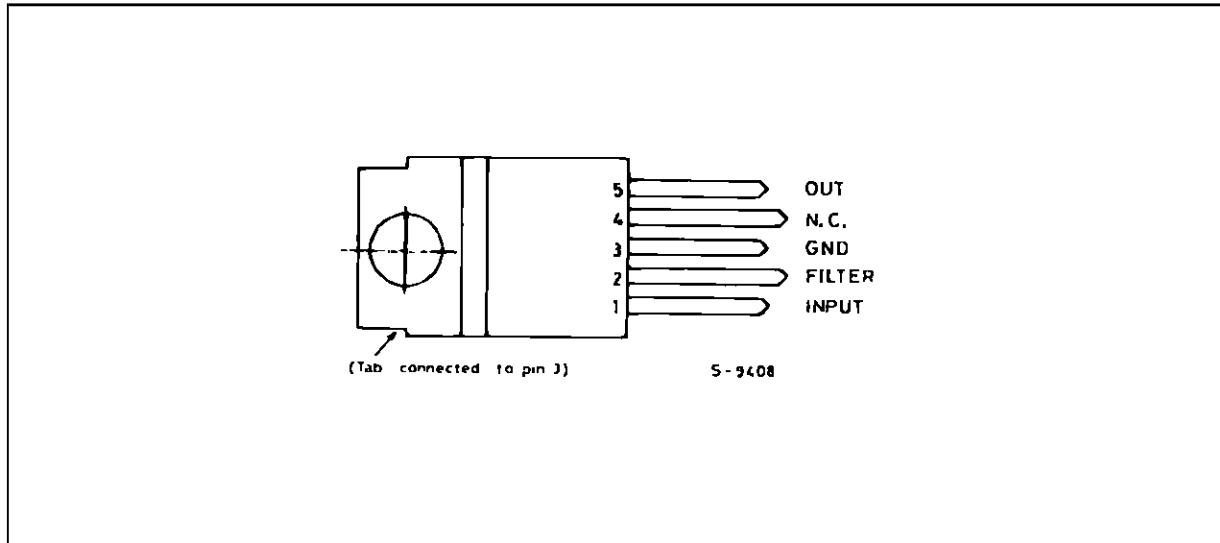
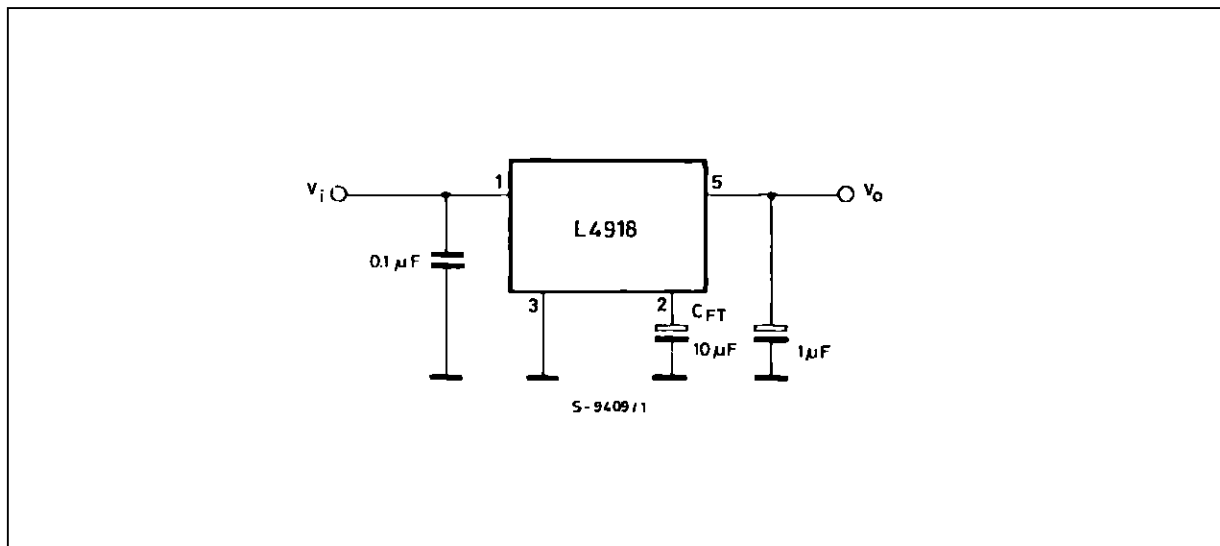


Figure 1 : Application and Test Circuit.



ABSOLUTE MAXIMUM RATINGS

Symbol	Parameter	Value	Unit
V_i	Peak Input Voltage (300 ms)	40	V
V_i	DC Input Voltage	28	V
I_o	Output Current	Internally Limited	
P_{tot}	Power Dissipation	Internally Limited	
T_{stg}, T_j	Storage and Junction Temperature	- 40 to 150	°C

THERMAL DATA

Symbol	Parameter	Value	Unit
$R_{th\ j-case}$	Thermal Resistance Junction-case	Max 4	°C/W

ELECTRICAL CHARACTERISTICS ($T_{amb} = 25\text{ }^{\circ}\text{C}$; $V_i = 13.5\text{ V}$, unless otherwise specified)

Symbol	Parameter	Test Conditions	Min.	Typ.	Max.	Unit
V_i	Input Voltage				20	V
V_O	Output Voltage	$V_i = 12\text{ to }18\text{ V}$ $I_O = 5\text{ to }150\text{ mA}$	8.1	8.5	8.9	V
$\Delta V_{I/O}$	Controlled Input-output Dropout Voltage	$V_i = 5\text{ to }10\text{ V}$ $I_O = 5\text{ to }150\text{ mA}$		1.6	2.1	V
ΔV_O	Line Regulation	$V_i = 12\text{ to }18\text{ V}$ $I_O = 10\text{ mA}$		1	20	mV
ΔV_O	Load Regulation	$I_O = 5\text{ to }250\text{ mA}$ $t_{on} = 30\text{ }\mu\text{s}$ $t_{off} \geq 1\text{ ms}$			100	mV
ΔV_O	Load Regulation (filter mode)	$V_i = 8.5\text{ V}$ $I_O = 5\text{ to }150\text{ mA}$ $t_{on} = 30\text{ }\mu\text{s}$ $t_{off} \geq 1\text{ ms}$		150	250	mV
I_q	Quiescent Current	$I_O = 5\text{ mA}$		1	2	mA
ΔI_q	Quiescent Current Change	$V_i = 6\text{ to }18\text{ V}$ $I_O = 5\text{ to }150\text{ mA}$		0.05		mA
$\frac{\Delta V_O}{\Delta T}$	Output Voltage Drift	$I_O = 10\text{ mA}$		1.2		mV/ $^{\circ}\text{C}$
SVR	Supply Voltage Rejection	$V_{iac} = 1\text{ V}_{rms}$ $f = 100\text{ Hz}$ $I_O = 150\text{ mA}$ $V_{DC} = 12\text{ to }18\text{ V}$ $V_{DC} = 6\text{ to }11\text{ V}$		71 35(*)		dB dB
I_{SC}	Short Circuit Current		250	300		mA
t_{on}	Switch On Time	$I_O = 150\text{ mA}$ $V_i = 5\text{ to }11\text{ V}$ $V_i = 11\text{ to }18\text{ V}$		500(*) 300		ms ms
T_{JSD}	Thermal Shutdown Junction Temperature			150		$^{\circ}\text{C}$

(*) Depending of the C_{FT} capacitor

PRINCIPLE OF OPERATION

During normal operation (input voltage upper than $V_{I\text{ MIN}} = V_{OUT\text{ NOM}} + \Delta V_{I/O}$). The device works as a normal voltage regulator built around the OP1 of the block diagram.

The series pass element use a PNP-NPN connection to reduce the dropout. The reference voltage of the OP1 is derived from a REF through the OP2 and Q3, acting as an active zener diode of value V_{REF} .

In this condition the device works in the range (1) of the characteristic of the non linear drop control unit (see fig.2).

The output voltage is fixed to its nominal value:

$$V_{OUT\text{ NOM}} = V_{REF} \left(1 + \frac{R1}{R2}\right) = V_{CFT} \left(1 + \frac{R1}{R2}\right)$$

$$\frac{R1}{R2} = \text{INTERNALLY FIXED RATIO} = 2.4$$

The ripple rejection is quite high (71 dB) and independent from C_{FT} value.

On the usual voltage regulators, when the input voltage goes below the nominal value, the regulation transistors (series element) saturate bringing the system out of regulation making it very sensible to every variation of the input voltage. On the contrary, a control loop on the L4918 consents to avoid the saturation of the series element by regulating the value of the reference voltage (pin 2). In fact, whenever the input voltage decreases below $V_{I\text{ MIN}}$ the supervisor loop, utilizing a non linear OTA, forces the reference voltage at pin 2 to decrease by discharging C_{FT} . So, during the static mode, when the input voltage goes below $V_{I\text{ MIN}}$ the drop out is kept fixed to about 1.6 V. In this condition the device works as a low pass filter in the range (2) of the OTA charac-

teristic. The ripple rejection is externally adjustable acting on C_{FT} as follows:

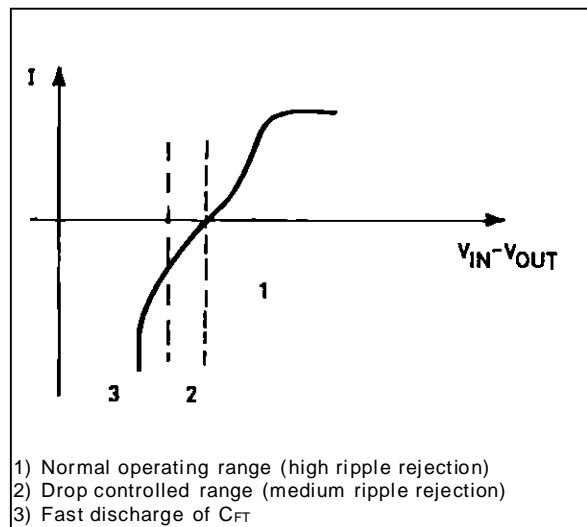
$$SVR(j\omega) = \left| \frac{V_i(j\omega)}{V_{out}(j\omega)} \right| = \frac{1}{1 + \left| \frac{gm}{j\omega C_{FT}} \left(1 + \frac{R1}{R2} \right) \right|}$$

Where:

$gm = 2 \cdot 10^{-5} \Omega^{-1}$ = OTA'S typical transconductance value on linear region

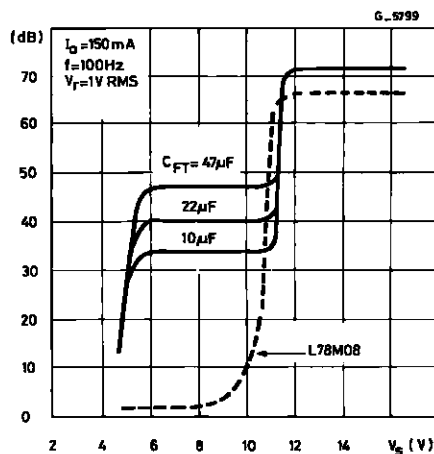
$\frac{R1}{R2}$ = fixed ratio

Figure 2 : Nonlinear Transfer Characteristic of the Drop Control Unit.



- 1) Normal operating range (high ripple rejection)
- 2) Drop controlled range (medium ripple rejection)
- 3) Fast discharge of C_{FT}

Figure 4 : Supply voltage Rejection vs. Input Voltage.



C_{FT} = value of capacitor in μF

The reaction time of the supervisor loop is given by the transconductance of the OTA and by C_{FT} . When the value of the ripple voltage is so high and its negative peak is fast/enough to determine an instantaneous decrease of the dropout till 1.2V, the OTA works in a higher transconductance condition [range (3) of the characteristic] and discharge the capacitor rapidly.

If the ripple frequency is high enough the capacitor won't charge itself completely, and the output voltage reaches a small value allowing a better ripple rejection; the device's again working as a filter (fast transient range).

With $C_{FT} = 10 \mu F$; $f = 100 \text{ Hz}$ a SVR of 35 is obtained.

Figure 3 : Supply Voltage Rejection vs. Fre-

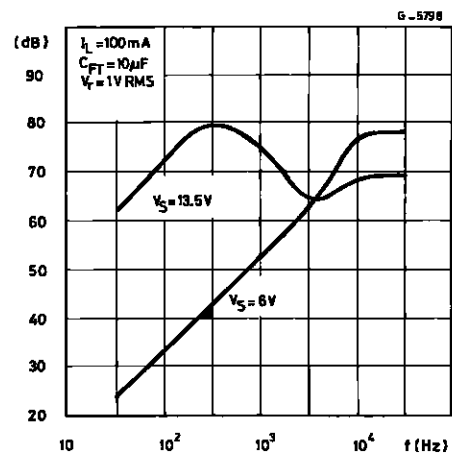
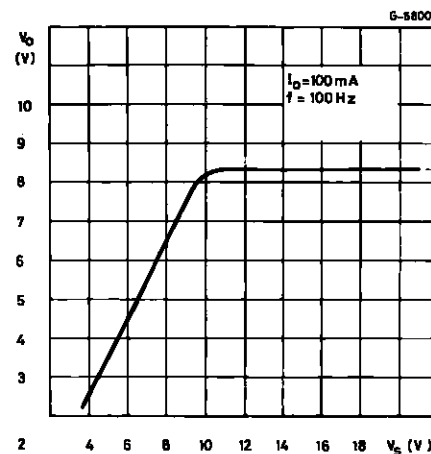
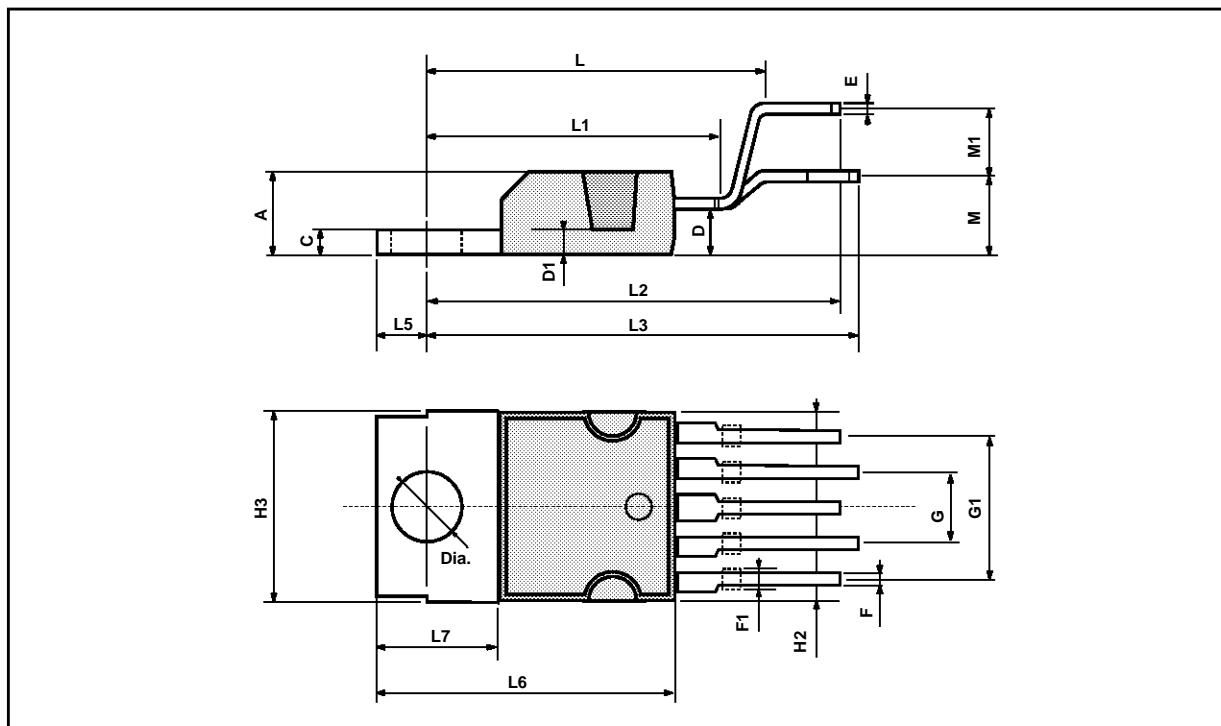


Figure 5 : Output Voltage vs. Input Voltage.



PENTAWATT PACKAGE MECHANICAL DATA

DIM.	mm			inch		
	MIN.	TYP.	MAX.	MIN.	TYP.	MAX.
A			4.8			0.189
C			1.37			0.054
D	2.4		2.8	0.094		0.110
D1	1.2		1.35	0.047		0.053
E	0.35		0.55	0.014		0.022
F	0.8		1.05	0.031		0.041
F1	1		1.4	0.039		0.055
G		3.4		0.126	0.134	0.142
G1		6.8		0.260	0.268	0.276
H2			10.4			0.409
H3	10.05		10.4	0.396		0.409
L		17.85			0.703	
L1		15.75			0.620	
L2		21.4			0.843	
L3		22.5			0.886	
L5	2.6		3	0.102		0.118
L6	15.1		15.8	0.594		0.622
L7	6		6.6	0.236		0.260
M		4.5			0.177	
M1		4			0.157	
Dia	3.65		3.85	0.144		0.152



Information furnished is believed to be accurate and reliable. However, SGS-THOMSON Microelectronics assumes no responsibility for the consequences of use of such information nor for any infringement of patents or other rights of third parties which may result from its use. No license is granted by implication or otherwise under any patent or patent rights of SGS-THOMSON Microelectronics. Specifications mentioned in this publication are subject to change without notice. This publication supersedes and replaces all information previously supplied. SGS-THOMSON Microelectronics products are not authorized for use as critical components in life support devices or systems without express written approval of SGS-THOMSON Microelectronics.

© 1994 SGS-THOMSON Microelectronics - All Rights Reserved

SGS-THOMSON Microelectronics GROUP OF COMPANIES

Australia - Brazil - France - Germany - Hong Kong - Italy - Japan - Korea - Malaysia - Malta - Morocco - The Netherlands - Singapore - Spain - Sweden - Switzerland - Taiwan - Thailand - United Kingdom - U.S.A.