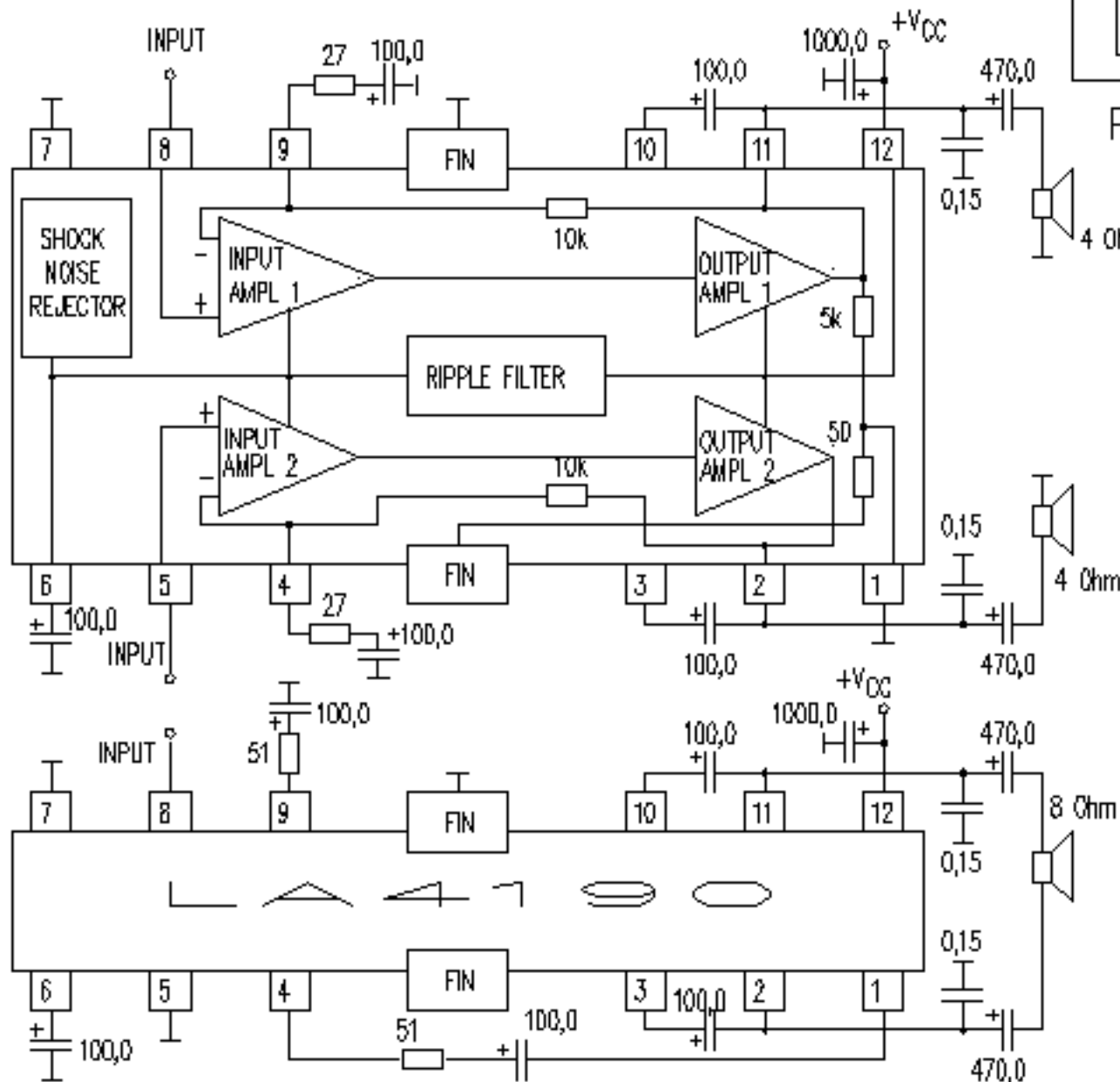


# LA4190

## POWER AMPLIFIER 2x1W



$V_{CC\ MAX} = 9V$   
 $V_{CC\ TYP} = 6V$   
 $V_{CC\ RNG} = 3,6...9V$

$P_o = 2x1W$   
 $R_L = 4\ \Omega$   
 $TDH = 10\%$

$I_{CC0\ TYP} = 35mA$   
 $I_{CC0\ MAX} = 55mA$   
 $I_{MAX} = -$

$R_{IN} = 30k$   
 $Gain = 50dB$   
 $Noise = 1,5mkV$   
 $R_{THJ-C} = -$   
 Case PDIP12