

SANYO	No.3265	LA6532M
	4-Channel BTL-Use Driver	

The LA6532M is a 4-channel BTL-use driver designed for compact disc pickup actuation.

**Functions and Features**

- BTL-use 4-channel power amp
- $I_O$  max 700mA × 2400mA × 2 (with voltage limiter)
- With muting function

**Maximum Ratings at Ta = 25°C**

			unit
Maximum Supply Voltage	$V_{CC}$ max	9	V
Allowable Power Dissipation	$P_d$ max	0.9	W
Differential Input Voltage	$V_{ID}$	8	V
Common-Mode Input Voltage	$V_{ICM}$	8	V
Maximum Input Voltage	$V_{INB}$ max	8	V
Muting Pin Voltage	$V_{Mute}$	8	V
Operating Temperature	$T_{opr}$	- 20 to + 75	°C
Storage Temperature	$T_{stg}$	- 55 to + 150	°C

**Operating Conditions at Ta = 25°C**

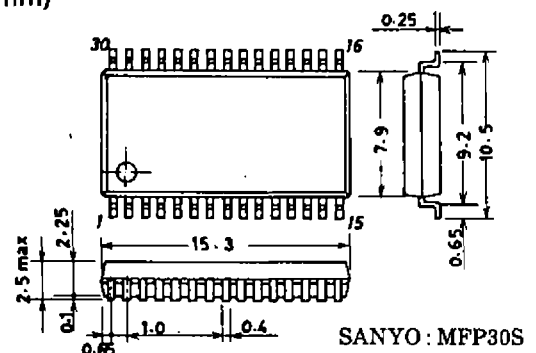
			unit
Maximum Supply Voltage	$V_{CC}$	5	V
Load Resistance	$R_L$	Pins 3-4,12-13,18-19,27-28	8 $\Omega$

**Operating Characteristics at Ta = 25°C,  $V_{CC}$  = 5.0V**

			min	typ	max	unit
No-Loaded Current Dissipation 1	$I_{CC1}$	Note 1	25	40	60	mA
No-Loaded Current Dissipation 2	$I_{CC2}$	Note 2	5	9	20	mA
No-Loaded Current Dissipation 3	$I_{CC3}$	Note 3	25	40	60	mA
No-Loaded Current Dissipation 4	$I_{CC4}$	Note 4	5	9	20	mA
Output Offset Voltage 1	$V_{OF1}$	Note 5 Amp 1-2,7-8	- 50		50	mV
Output Offset Voltage 2	$V_{OF2}$	Note 5 Amp 3-4,5-6	- 30		30	mV

Continued on next page.

Package Dimensions 3073A-M30IC  
(unit : mm)



# LA6532M

Continued from preceding page.

			min	typ	max	unit
Buffer 1 Input-Output Voltage Difference	$V_{BIO1}$	Buffer amp 1	-30		30	mV
Buffer 2 Input-Output Voltage Difference	$V_{BIO2}$	Buffer amp 2	0.5	0.6	0.8	V
Amp 2 Input-Output Voltage Difference	$V_{IO2}$	Amp 2	0.5	0.6	0.8	V
Amp 7 Input-Output Voltage Difference	$V_{IO7}$	Amp 7	0.5	0.6	0.8	V
Input Bias Current	$I_B$	Note 6		100	500	nA
Buffer Input Voltage Range	$V_{BICM}$	Buffer amp	1.5	$V_{CC}-1.5$		V
Common-Mode Input Voltage Range	$V_{ICM}$		1.0	$V_{CC}-1.5$		V
Output Source Voltage	$V_{O1}$	$R_L=8.0\Omega$ 700mA amp (Note 7)	3.4	3.6		V
Output Sink Voltage	$V_{O2}$	$R_L=8.0\Omega$ 700mA amp (Note 8)		1.0	1.4	V
Output Source Voltage	$V_{O3}$	$R_L=8.0\Omega$ 400mA amp (Note 7)	2.8	3.4		V
Output Sink Voltage	$V_{O4}$	$R_L=8.0\Omega$ 400mA amp (Note 8)		1.6	2.2	V
Closed-Circuit Voltage Gain	$V_G$			6.0		dB
Output Limiting Voltage	$V_{OL}$	Amp 3, amp 6		5.0		V
Muting Pin OFF-State Voltage	$V_{Mute}$			2.2		V
Muting Pin OFF-State Current	$I_{Mute}$			80		A

Note 1 Muting OFF. Buffer  $22k\Omega$  across  $V_{IN-}$  and  $V_O$ .  $V_{IN+}$  pin grounded

Note 2 Muting ON. Buffer  $22k\Omega$  across  $V_{IN-}$  and  $V_O$ .  $V_{IN+}$  pin grounded

Note 3 Muting OFF. Buffer  $22k\Omega$  across  $V_{IN-}$  and  $V_O$ .  $V_{IN+}$  pin connected to  $1/2V_{CC}$

Note 4 Muting ON. Buffer  $22k\Omega$  across  $V_{IN-}$  and  $V_O$ .  $V_{IN+}$  pin connected to  $1/2V_{CC}$

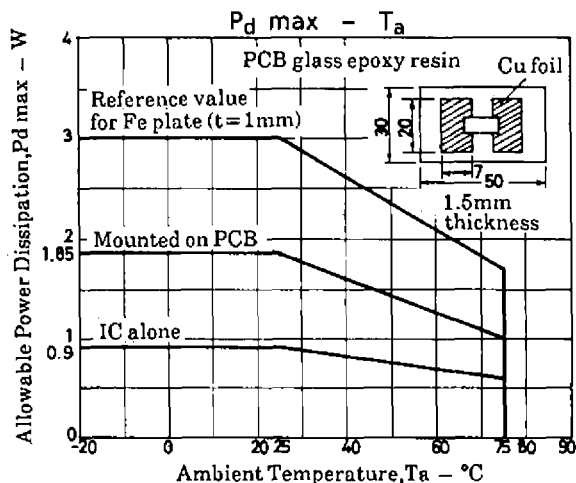
Note 5 For bridge amp, represents the difference between outputs.

Note 6 All  $V_{IN}$  connected to  $1/2V_{CC}$ .  $100k\Omega$  connected to the input. Measure the voltage difference.  $V_{IN}$  and  $V_O$  connected through  $100k\Omega$ . Measure the voltage difference between pins.

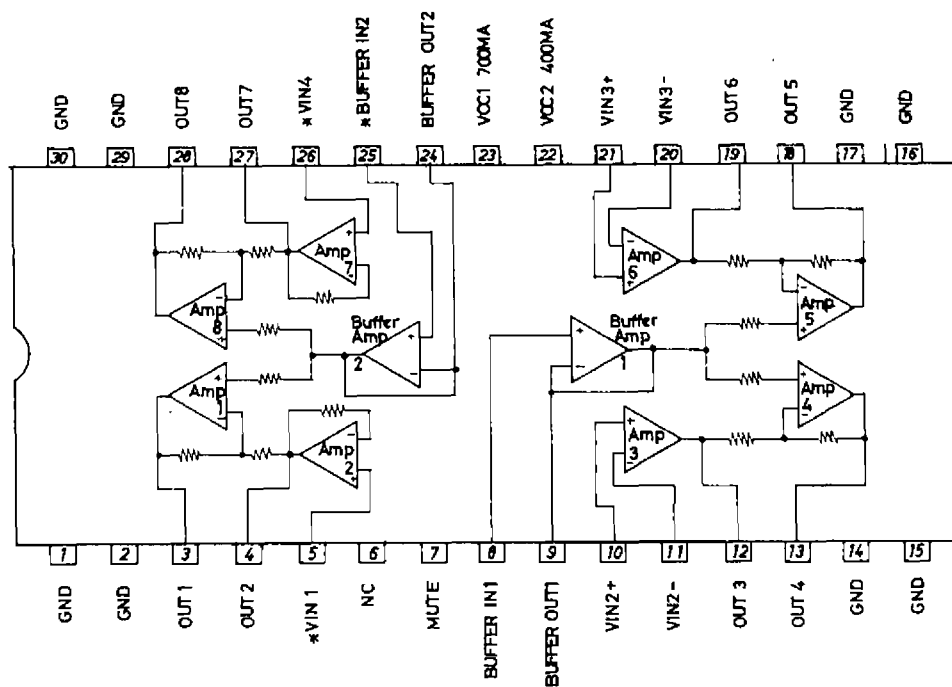
Note 7 Voltage (source) relative to GND when  $8\Omega$  load is connected across outputs of bridge amp

Note 8 Voltage (sink) relative to GND when  $8\Omega$  load is connected across outputs of bridge amp

※ : Be carefull in handling the LA6532M, because dielectric breakdown is liable to occur.



## Equivalent Circuit Block Diagram



- No products described or contained herein are intended for use in surgical implants, life-support systems, aerospace equipment, nuclear power control systems, vehicles, disaster/crime-prevention equipment and the like, the failure of which may directly or indirectly cause injury, death or property loss.
- Anyone purchasing any products described or contained herein for an above-mentioned use shall:
  - ① Accept full responsibility and indemnify and defend SANYO ELECTRIC CO., LTD., its affiliates, subsidiaries and distributors and all their officers and employees, jointly and severally, against any and all claims and litigation and all damages, cost and expenses associated with such use;
  - ② Not impose any responsibility for any fault or negligence which may be cited in any such claim or litigation on SANYO ELECTRIC CO., LTD., its affiliates, subsidiaries and distributors or any of their officers and employees jointly or severally.
- Information (including circuit diagrams and circuit parameters) herein is for example only; it is not guaranteed for volume production. SANYO believes information herein is accurate and reliable, but no guarantees are made or implied regarding its use or any infringements of intellectual property rights or other rights of third parties.