

The LA6533 is a 2-channel BTL-use driver designed for compact disc pickup actuation or a 4-channel driver for general-purpose applications.

Functions and Features

- High output current ($I_O \text{ max} = 0.5\text{A}$)
- Wide operating voltage range (4 to 15V)
- Low input bias current
- On-chip thermal shutdown
- Output of amps 1 to 4 at muting-ON mode : OFF

Maximum Ratings at $T_a = 25^\circ\text{C}$

			unit
Maximum Supply Voltage	$V_{CC} \text{ max}$	16	V
Allowable Power Dissipation	$P_d \text{ max}$	1.9	W
Maximum Input Voltage	$V_{INB} \text{ max}$ Buffer amp	15	V
Muting Pin Current	$I_M \text{ max}$	1	mA
Maximum Output Current	$I_O \text{ max}$	0.7	A
Operating Temperature	T_{op}	-20 to +75	$^\circ\text{C}$
Storage Temperature	T_{stg}	-55 to +150	$^\circ\text{C}$

Operating Conditions at $T_a = 25^\circ\text{C}$

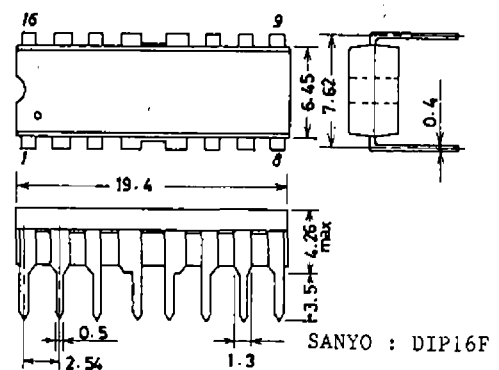
			unit
Maximum Supply Voltage	V_{CC}	5	V
Load Resistance	R_L Pins 3-6,11-14	8	Ω

Operating Characteristics at $T_a = 25^\circ\text{C}, V_{CC} = 5.0\text{V}$

			min	typ	max	unit
No-Loaded Current Dissipation 1	I_{CC1} Mute OFF (Note 1)		5	10	20	mA
No-Loaded Current Dissipation 2	I_{CC2} Mute ON		3	7	15	mA
No-Loaded Current Dissipation 3	I_{CC3} Mute OFF (Note 2)		10	20	30	mA
No-Loaded Current Dissipation 4	I_{CC4} Mute ON		4	8	16	mA
Output Offset Voltage 1	V_{OF1} Out 1 - Out 2		-50		50	mV
Output Offset Voltage 2	V_{OF2} Out 3 - Out 4		-50		50	mV

Continued on next page.

Package Dimensions 3054A-D16FNIC
(unit : mm)

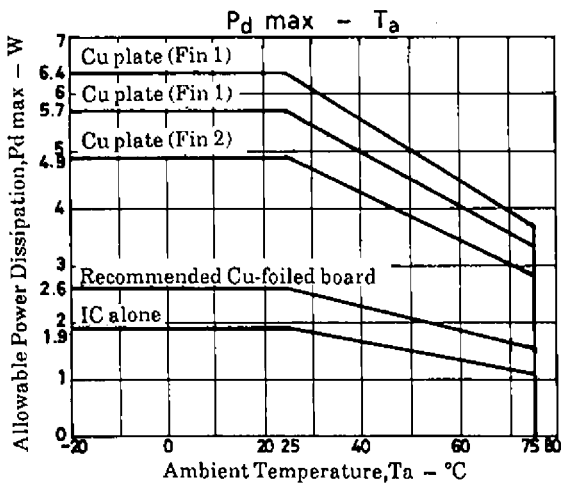
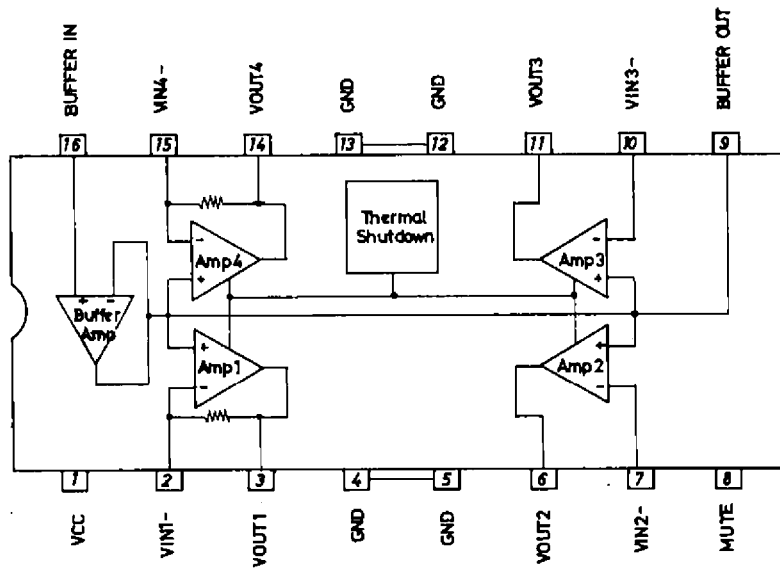


Continued from preceding page.

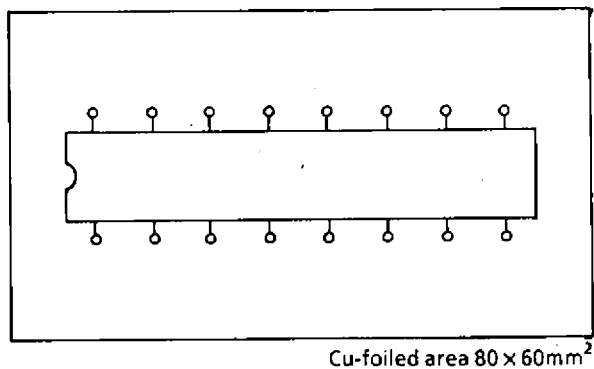
			min	typ	max	unit
Buffer Input-Output Voltage Difference	V_{BIO}	Buffer amp	-30		30	mV
Buffer Input Voltage Range	V_{BICM}	Buffer amp	1.5	$V_{CC}-1.5$		V
Amp Input Voltage Range	V_{ICM}		1.0	$V_{CC}-1.5$		V
Input Bias Current	I_B			50		nA
Output Voltage	V_O	$R_L=8.0\Omega$	2.8	3.3		V
Bridge Output Voltage Difference	V_{OD}	Pins 3-6,11-14 8Ω load	1.8	2.2		V
Closed-Circuit Voltage Gain	V_G			6.0		dB
Muting Pin ON-State Voltage	V_M			0.7		V
Muting Pin Flow-in Current	I_M			3.0		μA

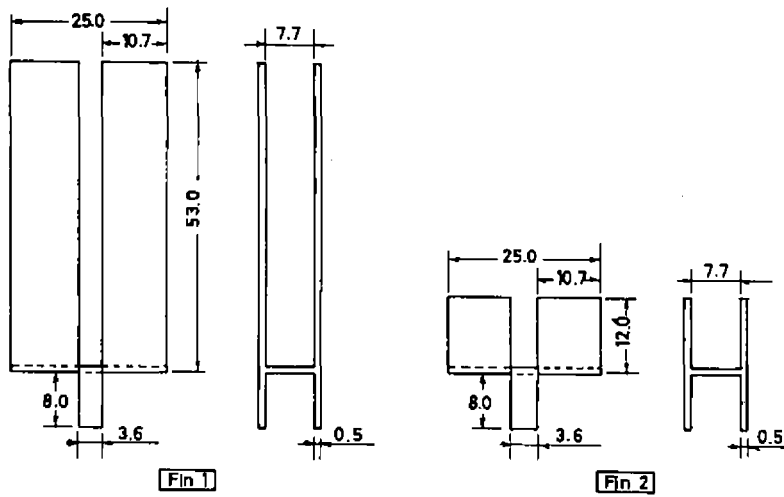
Note 1) Pins 2, 7, 10, 15 : GND
 Note 2) Pins 2, 7, 10, 15 : $1/2V_{CC}$

Equivalent Circuit Block Diagram

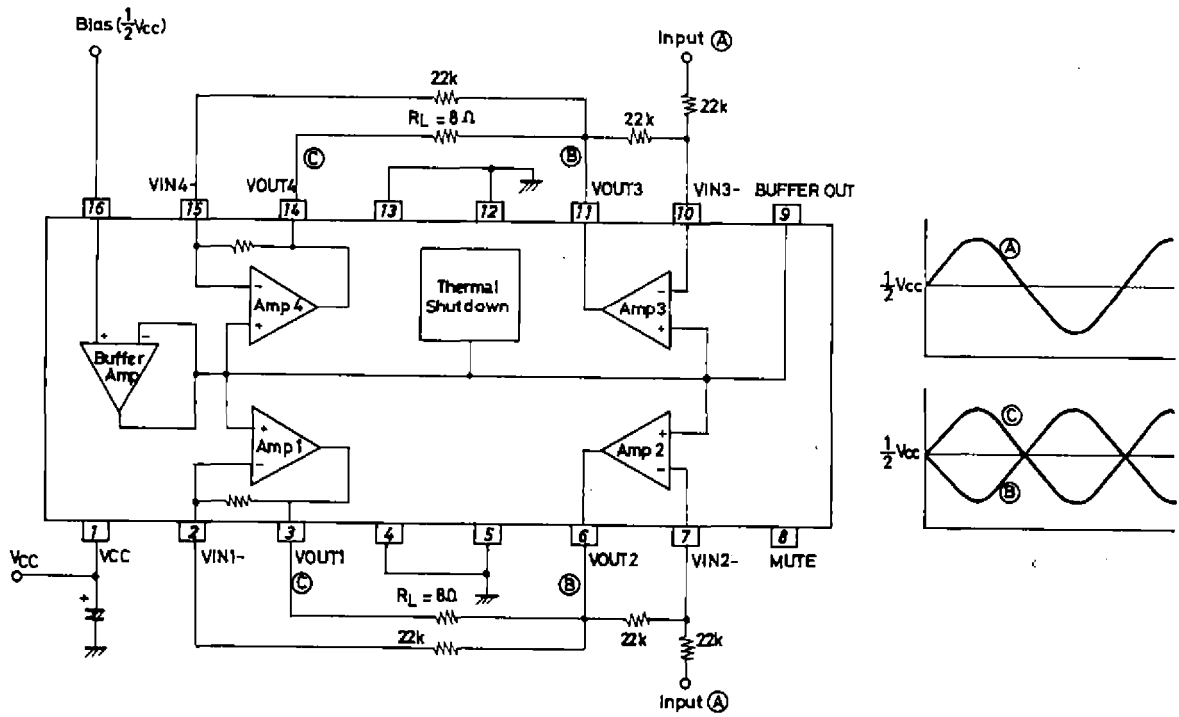


Sample Printed Circuit Pattern





Sample Application Circuit



Unit (resistance:Ω capacitance:F)

- No products described or contained herein are intended for use in surgical implants, life-support systems, aerospace equipment, nuclear power control systems, vehicles, disaster/crime-prevention equipment and the like, the failure of which may directly or indirectly cause injury, death or property loss.
- Anyone purchasing any products described or contained herein for an above-mentioned use shall:
 - ① Accept full responsibility and indemnify and defend SANYO ELECTRIC CO., LTD., its affiliates, subsidiaries and distributors and all their officers and employees, jointly and severally, against any and all claims and litigation and all damages, cost and expenses associated with such use:
 - ② Not impose any responsibility for any fault or negligence which may be cited in any such claim or litigation on SANYO ELECTRIC CO., LTD., its affiliates, subsidiaries and distributors or any of their officers and employees jointly or severally.
- Information (including circuit diagrams and circuit parameters) herein is for example only; it is not guaranteed for volume production. SANYO believes information herein is accurate and reliable, but no guarantees are made or implied regarding its use or any infringements of intellectual property rights or other rights of third parties.