

SANYO

No.2874A

LA7213

VCR-Use
Automatic Channel Selection Peripheral

Overview

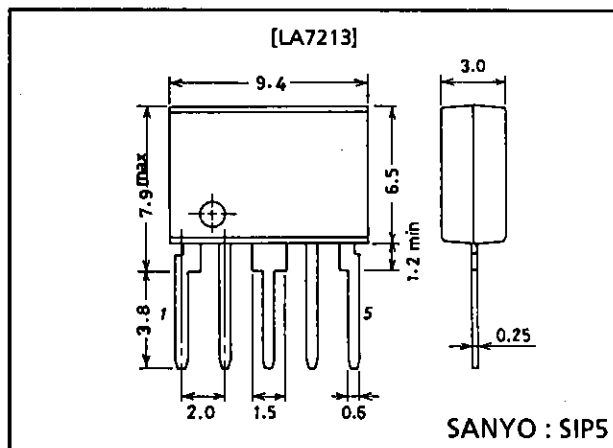
The LA7213 is a VCR-use automatic channel selection peripheral IC that contains a sync separator and a vertical sync separator.

Functions and Features

- Sync separation
- Vertical sync separation
- Recommended supply voltage : 5V
- Open collector output ($R_L = 10k\Omega$), negative polarity output.

Package Dimensions

unit : mm
3042C-SIP5

**Specifications****Maximum Ratings at $T_a = 25^\circ\text{C}$**

Parameter	Symbol	Conditions	Ratings	Unit
Maximum supply voltage	$V_{CC \text{ max}}$		7.0	V
Allowable power dissipation	P_{dmax}	$T_a \leq 75^\circ\text{C}$	100	mW
Operating temperature	T_{opr}		-15 to +75	$^\circ\text{C}$
Storage temperature	T_{stg}		-40 to +125	$^\circ\text{C}$

Operating Conditions at $T_a = 25^\circ\text{C}$

Parameter	Symbol	Conditions	Ratings	Unit
Recommended supply voltage	V_{CC}		5.0	V
Operating voltage range	V_{CCop}		4 to 6	V

Operating Characteristics at $T_a = 25^\circ\text{C}$, $V_{CC} = 5\text{V}$

Parameter	Symbol	Conditions	min	typ	max	Unit
Circuit Current	I_{CC}	No load	0.5	0.9	1.5	mA
Sync separation operating current	I_{SYNC}	SW1 = b		85		μA
Sync separation minimum input level	$V_{i \text{ min}}$	Color bar signal $1V_{p-p} = 0\text{dB}$, SW1 = a		-12		dB
Vertical sync separation output time delay	T_{VOUT}	Color bar of input = $1V_{p-p}$, SW1 = a	5	10	20	μs

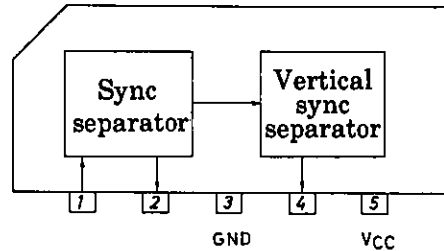
Continued on next page.

LA7213

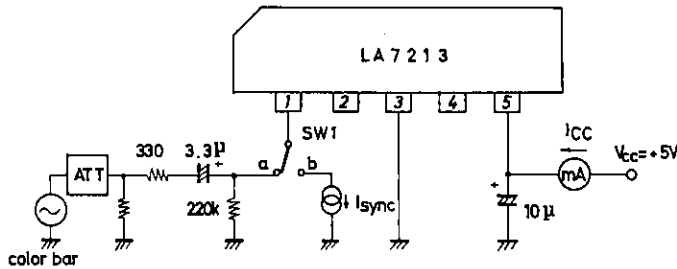
Continued from preceding page.

Parameter	Symbol	Conditions	min	typ	max	Unit
Output DC level	V_{2H}	No load	4.9			V
Output DC level	V_{2L}	No load			0.2	V
Output DC level	V_{4H}	No load	4.9			V
Output DC level	V_{4L}	No load			0.2	V

Block Diagram

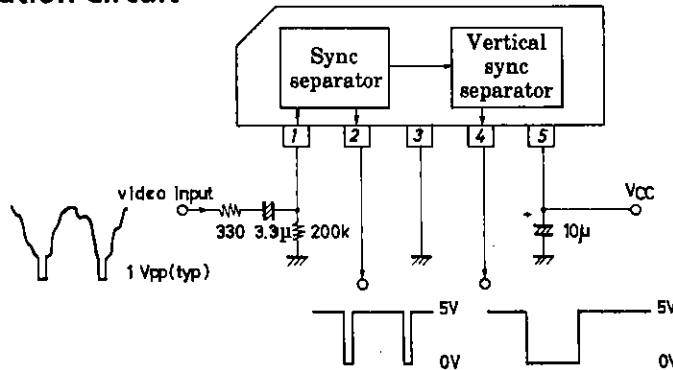


Test Circuit



Unit (resistance : Ω , capacitance : F)

Sample Application Circuit



Unit (resistance : Ω , capacitance : F)

■ No products described or contained herein are intended for use in surgical implants, life-support systems, aerospace equipment, nuclear power control systems, vehicles, disaster/crime-prevention equipment and the like, the failure of which may directly or indirectly cause injury, death or property loss.

■ Anyone purchasing any products described or contained herein for an above-mentioned use shall:

- ① Accept full responsibility and indemnify and defend SANYO ELECTRIC CO., LTD., its affiliates, subsidiaries and distributors and all their officers and employees, jointly and severally, against any and all claims and litigation and all damages, cost and expenses associated with such use.
- ② Not impose any responsibility for any fault or negligence which may be cited in any such claim or litigation on SANYO ELECTRIC CO., LTD., its affiliates, subsidiaries and distributors or any of their officers and employees jointly or severally.

■ Information (including circuit diagrams and circuit parameters) herein is for example only; it is not guaranteed for volume production. SANYO believes information herein is accurate and reliable, but no guarantees are made or implied regarding its use or any infringements of intellectual property rights or other rights of third parties.

This catalog provides information as of December, 1995. Specifications and information herein are subject to change without notice.