



SANYO Semiconductors

DATA SHEET

An ON Semiconductor Company

LA73076V — Monolithic Linear IC Video Driver for DVC/DSC, Cell Phone

Overview

The LA73076V is a low voltage drive (2.7V to 3.6V) video driver developed for portable appliances including digital video cameras, digital still cameras and cell phones. It incorporates a minus-voltage generator that allows the LA73076V to generate its output with the pedestal voltage set to 0V, so that no output coupling capacitor is required. This enables substantial reduction in mounting space without concerned about V-sag.

Features

- Output coupling capacity not required
- Low-voltage drive ($V_{CC} = 2.7V$ to $3.6V$)
- No V-sag
- Sextic LPF incorporated ($f_c = 10MHz$)
- 6dB amplifier
- Current drain of $0\mu A$ in the standby mode
- Output drive capable of covering maximum 75Ω output, one channel

Specifications

Maximum Ratings at $T_a = 25^\circ C$

Parameter	Symbol	Conditions	Ratings	Unit
Maximum supply voltage	V_{CC} max		4.0	V
Allowable power dissipation	P_d max	$T_a \leq 80^\circ C$, *Mounted on a specified board	220	mW
Operating temperature	T_{opr}		-20 to +80	$^\circ C$
Storage temperature	T_{stg}		-55 to +150	$^\circ C$

*: Mounted on a specified board: 114.3mm×76.1mm×1.6mm, glass epoxy

■ Any and all SANYO Semiconductor Co.,Ltd. products described or contained herein are, with regard to "standard application", intended for the use as general electronics equipment (home appliances, AV equipment, communication device, office equipment, industrial equipment etc.). The products mentioned herein shall not be intended for use for any "special application" (medical equipment whose purpose is to sustain life, aerospace instrument, nuclear control device, burning appliances, transportation machine, traffic signal system, safety equipment etc.) that shall require extremely high level of reliability and can directly threaten human lives in case of failure or malfunction of the product or may cause harm to human bodies, nor shall they grant any guarantee thereof. If you should intend to use our products for applications outside the standard applications of our customer who is considering such use and/or outside the scope of our intended standard applications, please consult with us prior to the intended use. If there is no consultation or inquiry before the intended use, our customer shall be solely responsible for the use.

■ Specifications of any and all SANYO Semiconductor Co.,Ltd. products described or contained herein stipulate the performance, characteristics, and functions of the described products in the independent state, and are not guarantees of the performance, characteristics, and functions of the described products as mounted in the customer's products or equipment. To verify symptoms and states that cannot be evaluated in an independent device, the customer should always evaluate and test devices mounted in the customer's products or equipment.

SANYO Semiconductor Co., Ltd.

<http://www.sanyosemi.com/en/network/>

LA73076V

Recommended Operating Conditions at $T_a = 25^\circ\text{C}$

Parameter	Symbol	Conditions	Ratings	Unit
Recommended Operating supply voltage	V_{CCSTD}		3.1	V
Operating supply voltage range	$V_{CCRANGE}$		2.7 to 3.6	V

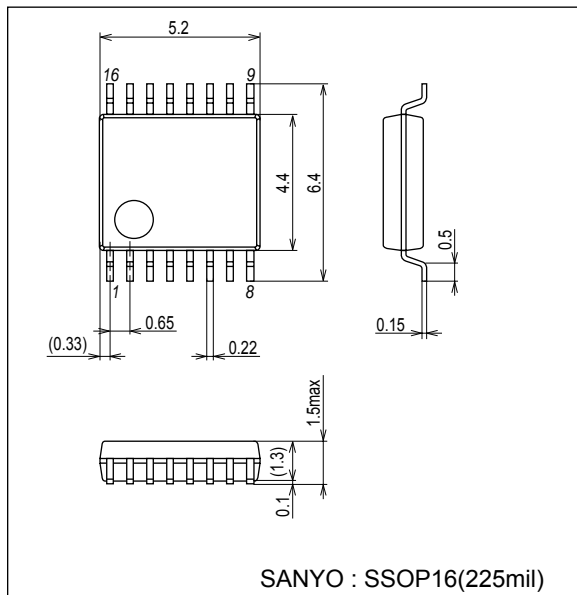
Electrical Characteristics at $T_a = 25^\circ\text{C}$, $V_{CC} = 3.1\text{V}$

Parameter	Symbol	Conditions	Ratings			Unit
			min	typ	max	
Current dissipation part						
Current dissipation 1 (Non-signal active mode)	I_{CC}	2pin = Low, Input = White50%	25	37	44	mA
Current dissipation 2 (Non-signal active mode)	I_{CC2}	2pin = Low, Input = No signal	10.0	14	17.5	mA
Current dissipation 3 (Standby mode)	$I_{CC-STBY}$	2pin = High		0	5.0	μA
Control terminal part						
Stand-by control pin H voltage (SET = STANDBY MODE)	$V_{TH-STBY-H}$	2 pin voltage range at which $I_{CC} \leq 5\mu\text{A}$	$V_{CC}-0.5$		V_{CC}	V
Stand-by control pin L voltage (SET = ACTIVE MODE)	$V_{TH-STBY-L}$	2 pin voltage range at which $I_{CC} \geq 5\mu\text{A}$	GND		0.5	V
Output control pin H voltage range (SET=MIX_OUT)	V_{OUT_M}	Voltage in which only output of MIX is selected	2.2		V_{CC}	V
Output control pin M voltage range (SET=Y,C_OUT)	V_{OUT_YC}	Voltage in which output of Y and C is selected	1.5		1.7	V
Output control pin L voltage range (SET=ALL_OUT)	V_{OUT_ALL}	Voltage in which all outputs are selected	GND		0.5	V
SW, MUTE control pin voltage range (SET=MUTE MODE)	V_{SW_MUTE}	As for this voltage, SW selects MUTE	$V_{CC}-0.5$		V_{CC}	V
SW, through control pin voltage range (SET=through MODE)	V_{SW_THR}	As for this voltage, SW selects through	GND		0.5	V
Y-in						
Voltage gain	V_{GainY}	100% white $V_{YIN} = 1\text{Vp-p}$	5.7	6.2	6.7	dB
Freq. characteristics	$V_{f7.2Y}$	$f = 100\text{kHz}/7.2\text{MHz}$	-1.0	0	+1.0	dB
	V_{f20Y}	$f = 100\text{kHz}/20\text{MHz}$			-30	dB
Allowable sync input level	$V_{IN-Sync}$	$V_{YIN} = \text{Black burst}$, Output R conditions Mix_out: 150 Ω , Y_out: 150 Ω	200			mVp-p
C-in						
Voltage gain	V_{gainc}	$V_{CIN} = 350\text{mVp-p}$	5.7	6.2	6.7	dB
Freq. characteristics	V_{f20C}	$f = 4\text{MHz}/20\text{MHz}$			-25	dB

Package Dimensions

unit : mm (typ)

3178B



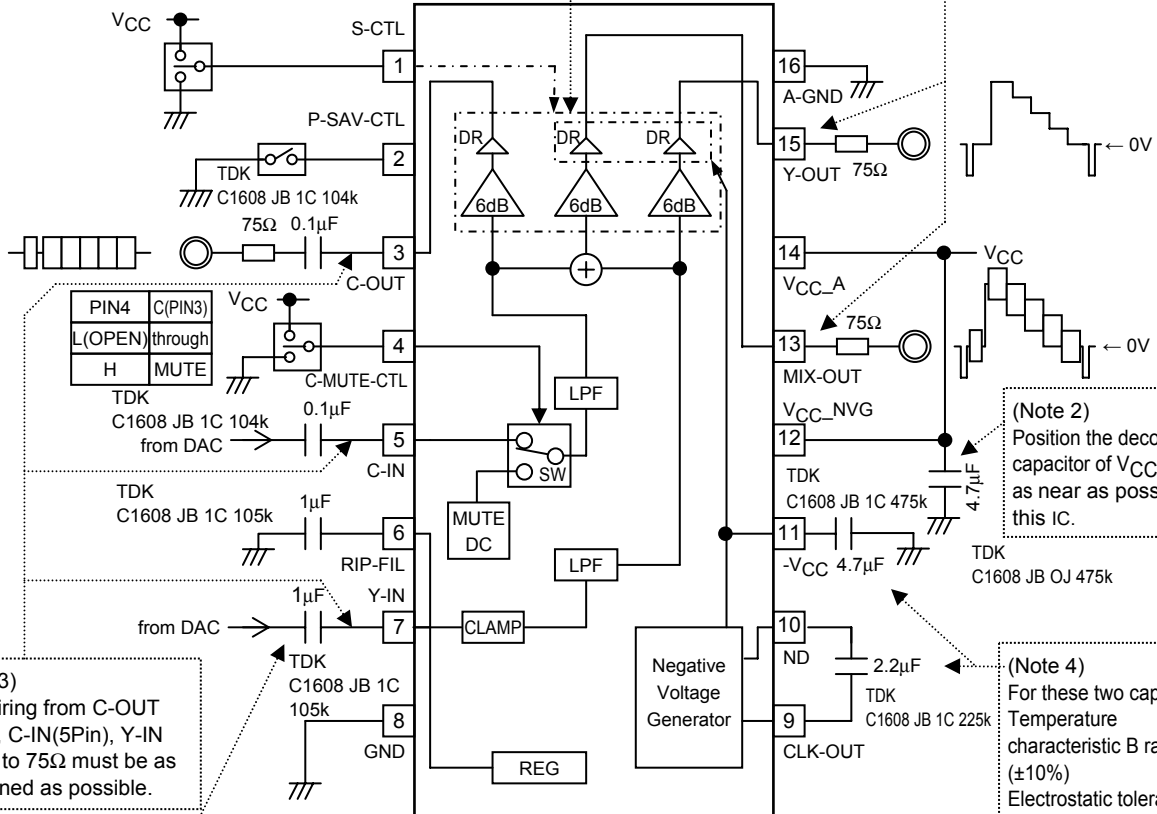
LA73076V

Pin Assignment, Pin Function Diagram and Block Diagram

Control		OUT		
PIN2	PIN1	MIX	Y	C
L	L(GND)	○	○	○
	M(OPEN)	×	○	○
	H	○	×	×
H(OPEN)	*	×	×	×

☆ Active
(Input signal)
Signal → ON
No signal → OFF
☆ Standby → OFF

(Note 1)
The wiring from MIX-OUT(13Pin),
Y_OUT(Pin15) to 75Ω must be as
shortened as possible.



(Note 3)
The wiring from C-OUT
(3Pin), C-IN(5Pin), Y-IN
(7Pin) to 75Ω must be as
shortened as possible.

(Note 5)
Use the input capacity value within a range of
0.1μF to 1μF while checking the sag
condition of the output waveform.

(Note 2)
Position the decoupling
capacitor of VCC-GND
as near as possible to
this IC.

(Note 4)
For these two capacities;
Temperature
characteristic B rank
(±10%)
Electrostatic tolerance
K rank(±10%)
and Withstand voltage of
6.3V or more are
recommended.

(Note 6)
As the minus power supply in this IC generates the clock for charge pump power supply by extracting the sink component of the input video signal (synchronous isolation) and by detecting its fall, the portion around the V-synchronization of this IC output may be reduced when the pseudo V signal without cut-in pulse is inserted as in the case of certain analog VCR special play (search). On the contrary, there is no problem when the pseudo V signal has the cut-in pulse. Pay due attention on this fact during use.

Pin Functions

Pin No	Symbol	Voltage	Description	Equivalent Circuit																														
1	S-CTL	V _{CC} or OPEN or 0V	Output select pin <table border="1"> <thead> <tr> <th colspan="2">Control of Pin1</th> <th></th> <th colspan="3">OUT</th> </tr> <tr> <th></th> <th></th> <th></th> <th>MIX</th> <th>Y</th> <th>C</th> </tr> </thead> <tbody> <tr> <td>L(GND)</td> <td>0V to 0.5V</td> <td>⇒</td> <td>○</td> <td>○</td> <td>○</td> </tr> <tr> <td>M(OPEN)</td> <td>OPEN or 1.6V±0.1V</td> <td>⇒</td> <td>×</td> <td>○</td> <td>○</td> </tr> <tr> <td>H(V_{CC})</td> <td>2.2V to V_{CC}</td> <td>⇒</td> <td>○</td> <td>×</td> <td>×</td> </tr> </tbody> </table>	Control of Pin1			OUT						MIX	Y	C	L(GND)	0V to 0.5V	⇒	○	○	○	M(OPEN)	OPEN or 1.6V±0.1V	⇒	×	○	○	H(V _{CC})	2.2V to V _{CC}	⇒	○	×	×	
Control of Pin1			OUT																															
			MIX	Y	C																													
L(GND)	0V to 0.5V	⇒	○	○	○																													
M(OPEN)	OPEN or 1.6V±0.1V	⇒	×	○	○																													
H(V _{CC})	2.2V to V _{CC}	⇒	○	×	×																													
2	P-SAV-CTL	V _{CC} or 0V	Power save mode select pin <table border="1"> <thead> <tr> <th colspan="2">Control of Pin2</th> <th></th> <th>Mode</th> </tr> </thead> <tbody> <tr> <td>L(GND)</td> <td>0V to 0.5V</td> <td>⇒</td> <td>Active</td> </tr> <tr> <td>H(V_{CC})</td> <td>OPEN or V_{CC}±0.5V</td> <td>⇒</td> <td>Standby</td> </tr> </tbody> </table>	Control of Pin2			Mode	L(GND)	0V to 0.5V	⇒	Active	H(V _{CC})	OPEN or V _{CC} ±0.5V	⇒	Standby																			
Control of Pin2			Mode																															
L(GND)	0V to 0.5V	⇒	Active																															
H(V _{CC})	OPEN or V _{CC} ±0.5V	⇒	Standby																															
3	C-OUT	1.55V	Video output terminal (Push-pull output low-impedance) 																															
4	C-MUTE-CTL	V _{CC} or 0V	Mute select pin <table border="1"> <thead> <tr> <th colspan="2">Control of Pin</th> <th></th> <th>OUT</th> </tr> </thead> <tbody> <tr> <td>L(GND)</td> <td>0V to 0.5V or OPEN</td> <td>⇒</td> <td>through</td> </tr> <tr> <td>H(V_{CC})</td> <td>V_{CC}±0.5V</td> <td>⇒</td> <td>Pin4: H→MUTE</td> </tr> </tbody> </table>	Control of Pin			OUT	L(GND)	0V to 0.5V or OPEN	⇒	through	H(V _{CC})	V _{CC} ±0.5V	⇒	Pin4: H→MUTE																			
Control of Pin			OUT																															
L(GND)	0V to 0.5V or OPEN	⇒	through																															
H(V _{CC})	V _{CC} ±0.5V	⇒	Pin4: H→MUTE																															

Continued on next page.

LA73076V

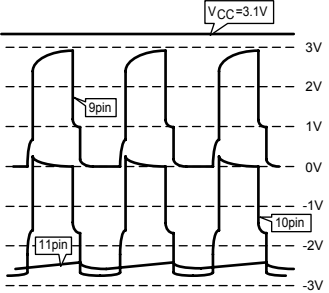
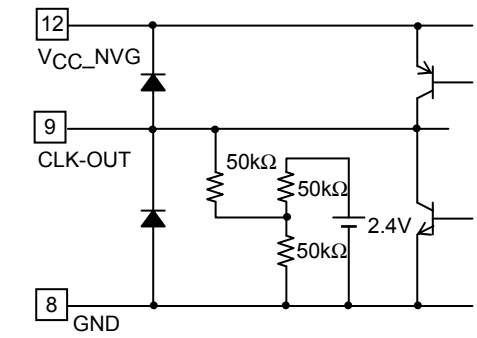
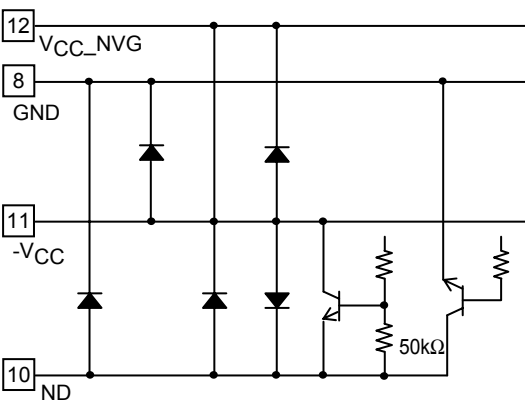
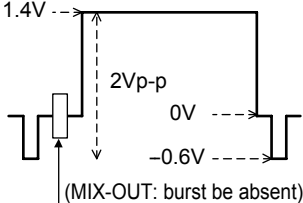
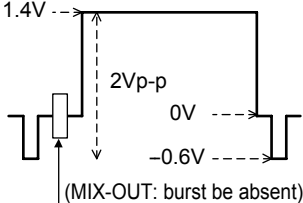
Continued from preceding page.

Pin No	Symbol	Voltage	Description	Equivalent Circuit
5	C-IN	1.55V	Video input terminal (Input high-impedance)	
6	RIP-FIL	1.2V		
7	Y-IN	1.1V	Video input terminal (Sync-chip clamp (Input high-impedance))	
8	GND	0V		

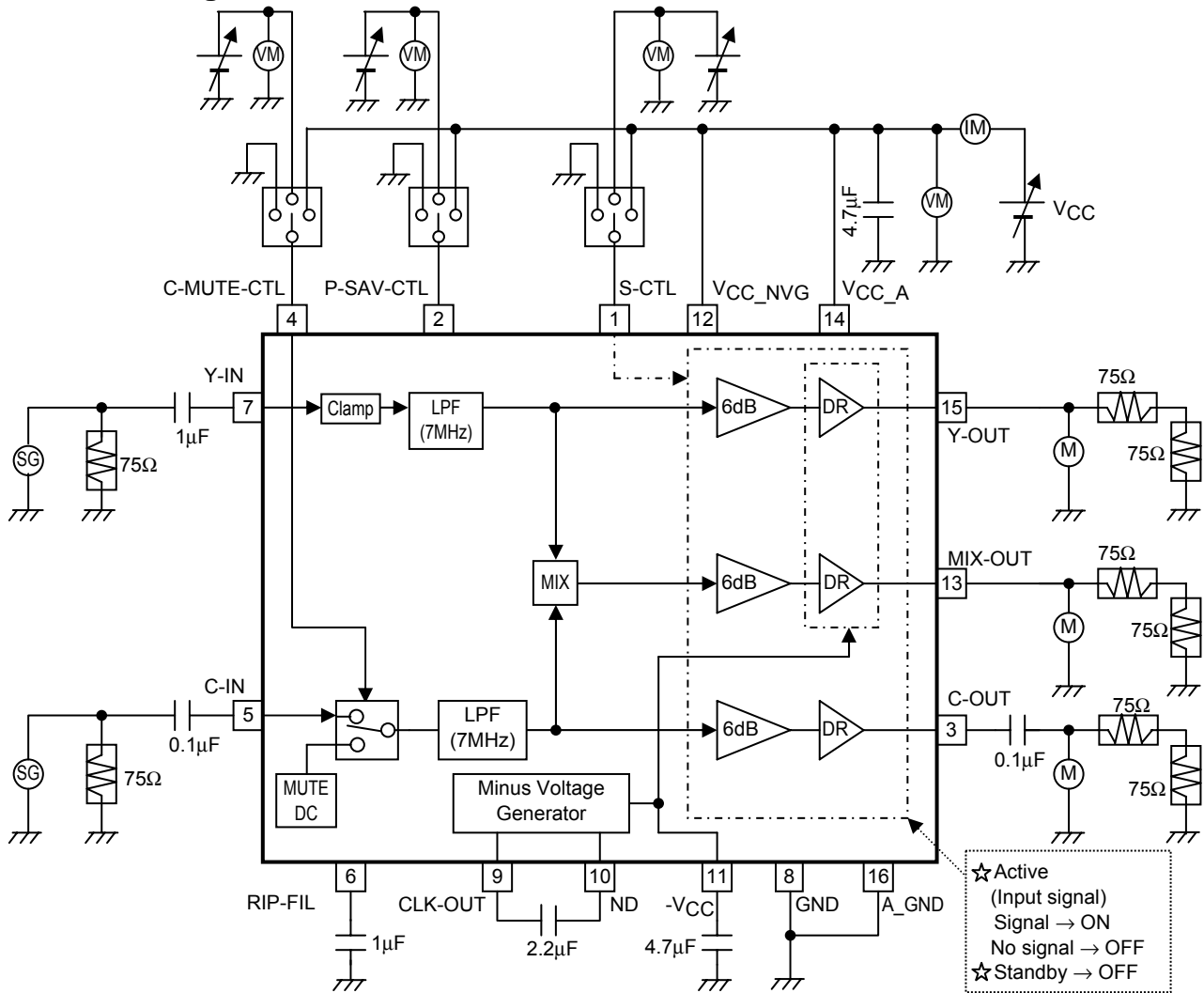
Continued on next page.

LA73076V

Continued from preceding page.

Pin No	Symbol	Voltage	Description	Equivalent Circuit
9	CLK-OUT	V _{CC} ↑↓ 0V	Pin 9: Clock output terminal 	
10	ND	+0.5V ↑↓ -2.5V (-V _{CC})	Pin 10: The terminal which transmits an electric charge Pin 11: -V _{CC}	
11	-V _{CC}	0V ↑↓ -2.2V (-V _{CC})		
12	V _{CC_NVG}	2.7V to 3.6V		
13 15	MIX-OUT Y-OUT	0V	Video output terminal (Push-pull output low-impedance) 	
14	V _{CC_A}	2.7V to 3.6V	Analog V _{CC}	
16	A-GND	0V	Analog GND	

Test Circuit Diagram



- SANYO Semiconductor Co.,Ltd. assumes no responsibility for equipment failures that result from using products at values that exceed, even momentarily, rated values (such as maximum ratings, operating condition ranges, or other parameters) listed in products specifications of any and all SANYO Semiconductor Co.,Ltd. products described or contained herein.
- SANYO Semiconductor Co.,Ltd. strives to supply high-quality high-reliability products, however, any and all semiconductor products fail or malfunction with some probability. It is possible that these probabilistic failures or malfunction could give rise to accidents or events that could endanger human lives, trouble that could give rise to smoke or fire, or accidents that could cause damage to other property. When designing equipment, adopt safety measures so that these kinds of accidents or events cannot occur. Such measures include but are not limited to protective circuits and error prevention circuits for safe design, redundant design, and structural design.
- In the event that any or all SANYO Semiconductor Co.,Ltd. products described or contained herein are controlled under any of applicable local export control laws and regulations, such products may require the export license from the authorities concerned in accordance with the above law.
- No part of this publication may be reproduced or transmitted in any form or by any means, electronic or mechanical, including photocopying and recording, or any information storage or retrieval system, or otherwise, without the prior written consent of SANYO Semiconductor Co.,Ltd.
- Any and all information described or contained herein are subject to change without notice due to product/technology improvement, etc. When designing equipment, refer to the "Delivery Specification" for the SANYO Semiconductor Co.,Ltd. product that you intend to use.
- Information (including circuit diagrams and circuit parameters) herein is for example only; it is not guaranteed for volume production.
- Upon using the technical information or products described herein, neither warranty nor license shall be granted with regard to intellectual property rights or any other rights of SANYO Semiconductor Co.,Ltd. or any third party. SANYO Semiconductor Co.,Ltd. shall not be liable for any claim or suits with regard to a third party's intellectual property rights which has resulted from the use of the technical information and products mentioned above.

This catalog provides information as of September, 2007. Specifications and information herein are subject to change without notice.