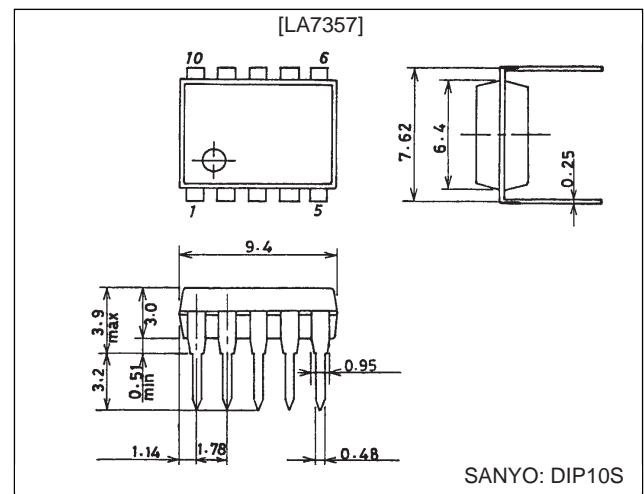


**LA7357****PAL/SECAM Discrimination Circuit for VHS VCRs****Overview**

The LA7357 can be used as a PAL/SECAM discrimination IC. Since no ceramic resonator or tank circuit is required, only a small number of external components are used, and the LA7357 can contribute to reduced mounting areas and lower system costs.

Package Dimension

unit: mm

3098B-DIP10S**Specifications****Maximum Ratings at $T_a = 25^\circ\text{C}$**

Parameter	Symbol	Conditions	Ratings	Unit
Maximum supply voltage	$V_{CC \text{ max}}$		7.0	V
Allowable power dissipation	$P_d \text{ max}$	$T_a \leq 65^\circ\text{C}$	120	mW
Operating temperature	T_{opr}		-10 to +65	$^\circ\text{C}$
Storage temperature	T_{stg}		-40 to +125	$^\circ\text{C}$

Operating Conditions at $T_a = 25^\circ\text{C}$

Parameter	Symbol	Conditions	Ratings	Unit
Supply voltage	V_{CC}		5.0	V
Operating voltage range	$V_{CC \text{ op}}$		4.8 to 5.5	V

LA7357

Operating Characteristics at $T_a = 25^\circ\text{C}$, $V_{CC} = 5\text{ V}$

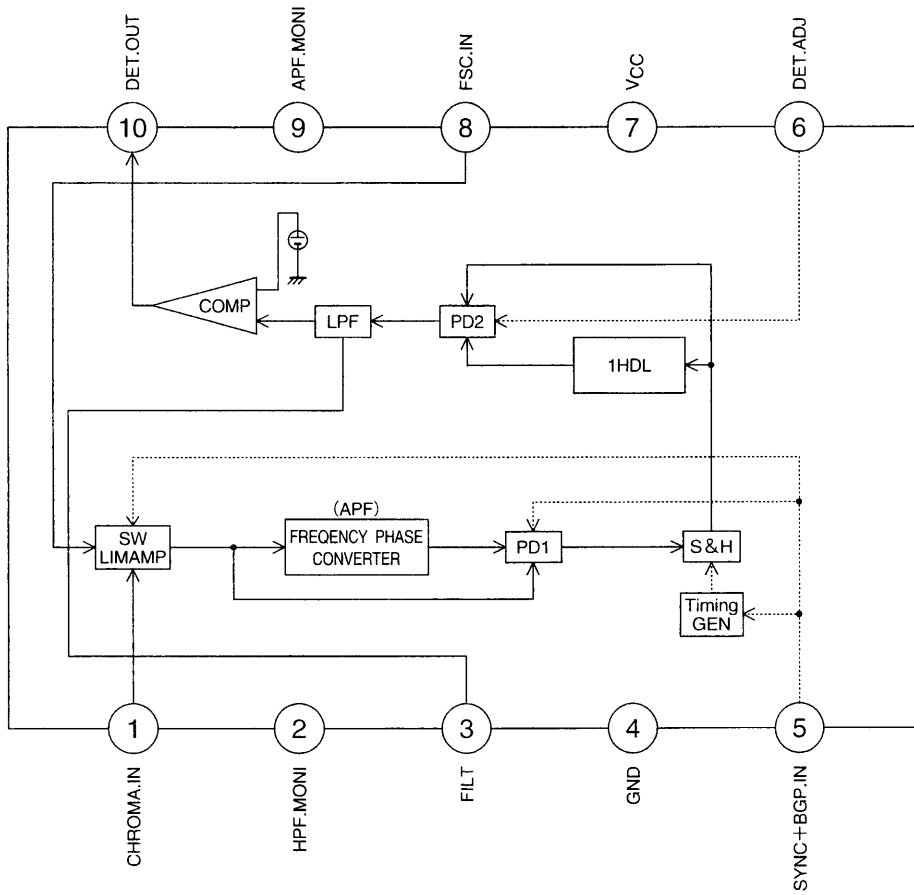
Parameter	Symbol	Conditions	Ratings			Unit
			min	typ	max	
Current drain	I_{CC1}	Pin 5 = ground, pin 7 influx current: T4 output	7.0	10.0	13.0	mA
	I_{CC2}	Pin 5 = V_{CC} , pin 7 influx current: T4 output	7.5	10.5	13.5	mA
BGP threshold level	BTH	The pin 5 voltage when the pin 2 output appears when slowly raising the voltage applied to pin 5 from 0 V. The input signal should be 300 mVp-p: T2 output	2.2	2.5	2.8	V
SYNC threshold level	STH	The pin 5 voltage when the pin 2 output appears when slowly lowering the voltage applied to pin 5 from 5 V. The input signal should be 300 mVp-p: T2 output	0.6	0.8	1.0	V
Input limiter amplifier gain	LIMG	Stipulated as the output ratio when a 10 mVp-p amplitude sine wave is input to pin 1: T2 output	9	12	15	dB
Input limiter amplifier level	LIMD	Measure the output amplitude when a 300 mVp-p amplitude sine wave is input to pin 1: T2 output	150	190	230	mVp-p
Comparator hysteresis high-level voltage	Comp H	The V1 level when T1 switches from low to high when slowly raising V1 from 0 V: T1 output	2.7	3.0	3.3	V
Comparator hysteresis low-level voltage	Comp L	The V1 level when T1 switches from high to low when slowly lowering V1 from 5 V: T1 output	2.0	2.3	2.6	V
DET-OUT output high-level voltage	DETH	With a 2-k Ω load: T1 output	3.6	4.0	4.4	V
DET-OUT output low-level voltage	DETL	With a 2-k Ω load: T1 output	0	0.2	0.4	V

Switching Conditions

Symbol	Input signal		Input pulse		Applied voltage		Switch states				
	S1	S2	S3	S4	V1	V2	SW1	SW2	SW3	SW4	SW5
I_{CC1}	No signal	No signal	0 V	0 V			Off	Off	Off	Off	Off
I_{CC2}	No signal	No signal	5 V	5 V			Off	Off	Off	Off	Off
BTH	Sig.1	No signal1	0 V	0 V		Variable DC level	On	Off	On	Off	Off
STH	No signal	Sig.1	0 V	0 V		Variable DC level	On	Off	On	Off	Off
LIMG	Sig.1	No signal	5 V	0 V			On	Off	Off	Off	Off
LIMD	Sig.1	No signal	5 V	0 V			On	Off	Off	Off	On
Comp H	No signal	No signal	No signal	No signal	Variable DC level		Off	On	Off	Off	On
Comp L	No signal	No signal	No signal	No signal	Variable DC level		Off	On	Off	Off	On
DETH	Sig.2	Sig.1	P2	P1			Off	Off	Off	Off	On
DETL	Sig.3	Sig.1	P2	P1			Off	Off	Off	Off	On

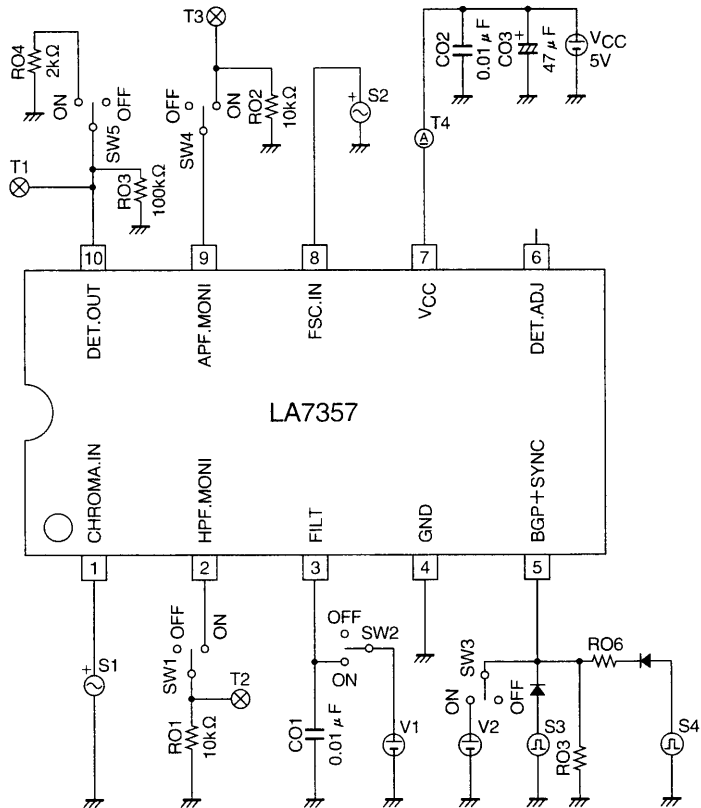
LA7357

Block Diagram



A06934

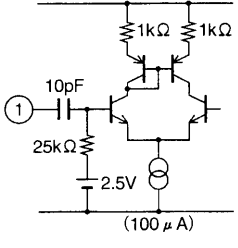
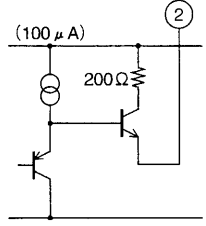
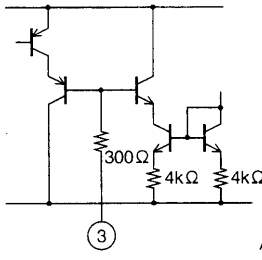
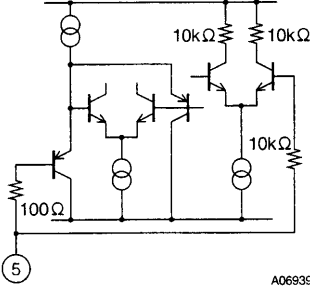
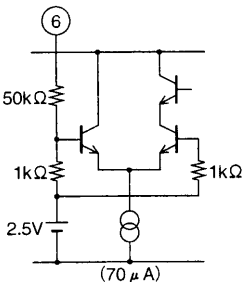
Test Circuit



A06935

LA7357

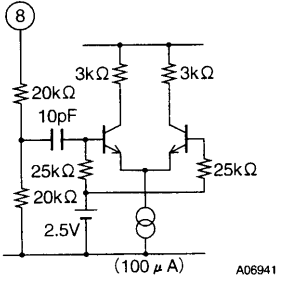
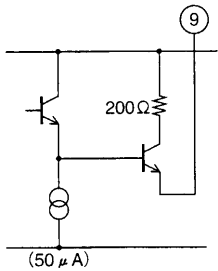
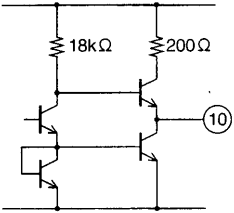
Pin Functions

Pin No.	Pin	Pin Functions	Equivalent circuit
1	CHROMA-IN	<ul style="list-style-type: none"> Chrominance signal input. This pin can handle burst (or unmodulated carrier for SECAM input) signal amplitudes of between 50 and 800 mVp-p. 	 <p style="text-align: right;">A06936</p>
2	HPF.MONI	<ul style="list-style-type: none"> High-pass filter output monitor To avoid interference between pin 1 and pin 3, this pin should be connected to V_{CC} during normal operation. 	 <p style="text-align: right;">A06937</p>
3	FILTER	<ul style="list-style-type: none"> Phase comparator output This signal is smoothed with an external capacitor. The smoothed level will be: 2.0 V or lower for PAL 3.5 V or higher for SECAM or MESECAM. 	 <p style="text-align: right;">A06938</p>
4	GND		
5	SYNC+BGP	<ul style="list-style-type: none"> BGP + SYNC input The input level is a 1.0- to 2.0-V rising pulse (⌋) during the SYNC period, and a 3.0- to 4.5-V rising pulse (⌋) during the BGP period. Note that since a combined BGP and C.SYNC pulse (⌋) is output from the Y/C IC when the LA7357 is used in combination with a Sanyo single-chip Y/C IC (any one of the LA7430, LA7435, or LA71520) no external component will be required on pin 5. 	 <p style="text-align: right;">A06939</p>
6	DET-ADJ	<ul style="list-style-type: none"> Discrimination sensitivity adjustment pin The discrimination is shifted towards PAL as the pin voltage is increased, and towards SECAM as the pin voltage is lowered. This pin is normally left open. 	 <p style="text-align: right;">A06940</p>
7	V_{CC}		

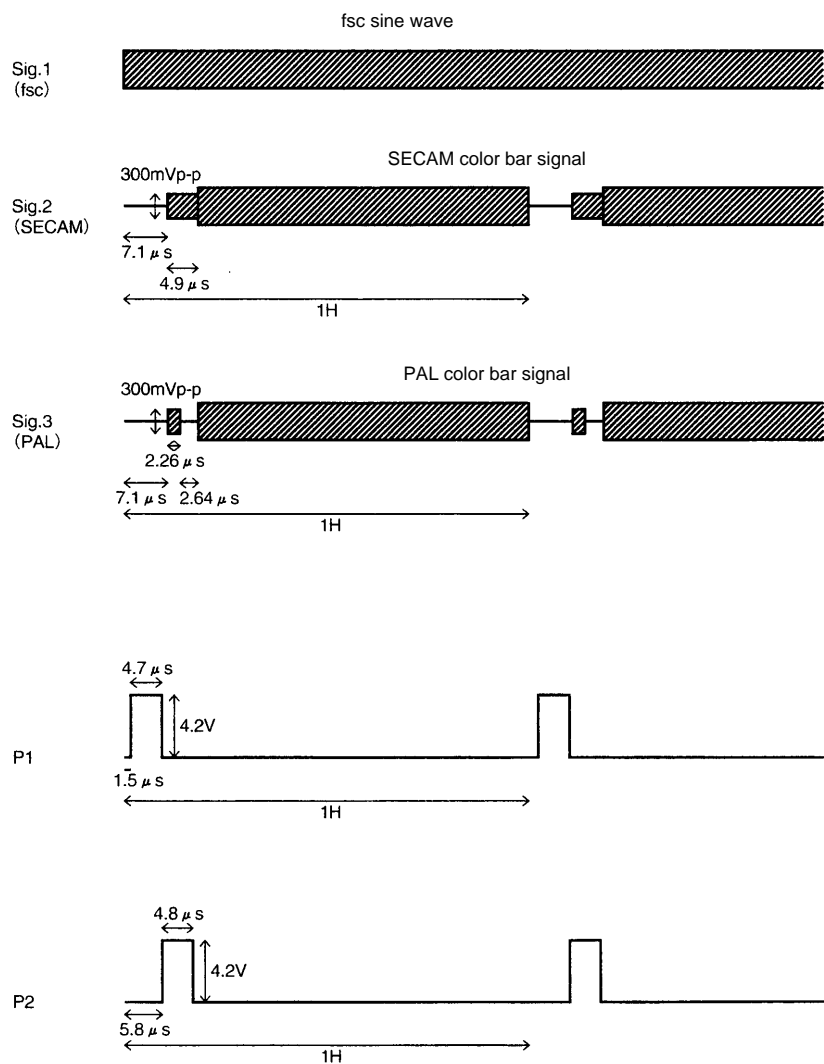
Continued on next page.

LA7357

Continued from preceding page.

Pin No.	Pin	Pin Functions	Equivalent circuit
8	FSC-IN	<ul style="list-style-type: none"> • PAL fsc (4.43 MHz) input This pin can handle inputs with amplitude between about 300 and 800 mVp-p. 	
9	AFP.MONI	<ul style="list-style-type: none"> • APF output monitor This pin must be connected to V_{CC} to prevent interference between pins 8 and 10. 	
10	DET-OUT	<ul style="list-style-type: none"> • Discrimination output This pin outputs a high level (4.2 V) for SECAM or MESECAM inputs, and a low level (close to 0 V) for PAL inputs. 	

Test Input Signals and Pulses



A06944

- No products described or contained herein are intended for use in surgical implants, life-support systems, aerospace equipment, nuclear power control systems, vehicles, disaster/crime-prevention equipment and the like, the failure of which may directly or indirectly cause injury, death or property loss.
- Anyone purchasing any products described or contained herein for an above-mentioned use shall:
 - ① Accept full responsibility and indemnify and defend SANYO ELECTRIC CO., LTD., its affiliates, subsidiaries and distributors and all their officers and employees, jointly and severally, against any and all claims and litigation and all damages, cost and expenses associated with such use:
 - ② Not impose any responsibility for any fault or negligence which may be cited in any such claim or litigation on SANYO ELECTRIC CO., LTD., its affiliates, subsidiaries and distributors or any of their officers and employees jointly or severally.
- Information (including circuit diagrams and circuit parameters) herein is for example only; it is not guaranteed for volume production. SANYO believes information herein is accurate and reliable, but no guarantees are made or implied regarding its use or any infringements of intellectual property rights or other rights of third parties.

This catalog provides information as of July, 1997. Specifications and information herein are subject to change without notice.