



## LA7625, 7626

### Video, Chroma and Deflection Circuit for Color Television Sets

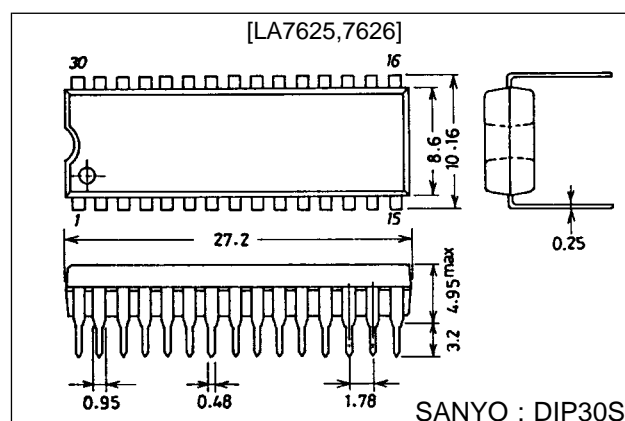
## Overview

The LA7625 and LA7626 are based on the LA7620 and LA7621 with the video circuit DC restoration factor changed to 100%. The LA7625 and LA7626 are small, multifunction ICs in which video, chroma and deflection circuits for NTSC color TV system are packaged in a shrink-type DIP30S (the same type as the earlier DIP22). In addition to being small, these ICs greatly reduce the number of components required and reduce the number of adjustments that must be made. By combining the LA7625 or LA7626 with the LA7555 or LA7577 VIF/SIF IC, or LA7832, LA7833, LA7837, or LA7838 vertical output IC, it is possible to process all functions of the color television signal system. Note that the LA7625 has a peak clipping circuit built into the video circuit, and is suited primarily for compact sets, while the LA7626 does not have a peak clipping circuit and is suited for larger sets.

## Package Dimensions

unit : mm

### 3061-DIP30S



## Features

- Small package
- Few peripheral components needed.
- Few adjustments needed.  
(The functions listed below require no adjustments.)
  - Chroma VCO (APC)
  - Horizontal oscillation H-Hold
  - Vertical oscillation V-Hold
- Multifunctional.

## Specifications

### Maximum Ratings at Ta = 25 °C

Parameter	Symbol	Conditions	Ratings	Unit
Maximum supply voltage	$V_{16}$ max		14.0	V
Maximum supply current	$I_{22}$ max		15.0	mA
Allowable power dissipation	$P_d$ max	$T_a \leq 65$ °C	1100	mW
Operating temperature	$T_{opr}$		-20 to +85	°C
Storage temperature	$T_{stg}$		-55 to +125	°C

## LA7625, 7626

### Operating Conditions at $T_a = 25\text{ }^\circ\text{C}$

Parameter	Symbol	Conditions	Ratings	Unit
Recommended supply voltage	$V_{16}$		12.0	V
Recommended supply current	$I_{22}$		10.0	mA
Operating supply voltage range	$V_{16\text{ op}}$		9.0 to 14.0	V
Operating supply current range	$I_{22\text{ op}}$		8.5 to 15.0	mA

### Electrical Characteristics at $T_a = 25\text{ }^\circ\text{C}$ , $V_{CC} = V_{16} = 12\text{ V}$ , $I_{CC} = I_{22} = 10\text{ mA}$

Parameter	Symbol	Conditions	min	typ	max	Unit
Circuit current	$I_{16}$	No signal	40	53	75	mA
[Deflection block]						
Horizontal supply voltage	$V_{Z22}$		8.2	8.7	9.2	V
Sync separation input DC level	$V_{S,S}$		9.0	9.3	9.6	V
Vertical free-running frequency 1	$f_{V1}$		$f_H/296.5$			Hz
	$f_{V2}$		$f_H/224.5$			Hz
Vertical blanking pulse width	PW V.blk		$19.25/f_H$			s
Vertical output pulse width	PW V.out		$10.25/f_H$			s
Vertical drive stage voltage gain	$G_V$		13	16.2	19	dB
Vertical output pulse start voltage	$V_{c ds}$				4.0	V
Vertical pull-in operation start voltage	$V_{v ps}$				4.0	V
Vertical blanking pulse wave peak value	$V_{V.blk}$			10		V
Horizontal free-running frequency	$f_H$	Frequency deviation versus 15.734 kHz	-70	0	130	Hz
Dependence of horizontal oscillation frequency on supply voltage	$\Delta f_H(V)$	$f_H(8V) - f_H(7V)$	-10	0	10	Hz
Dependence of horizontal oscillation frequency on operating temperature	$\Delta f_H/\Delta T$	$T_a = -10\text{ }^\circ\text{C}$ to $60\text{ }^\circ\text{C}$	-1.5		1.5	Hz/deg
Horizontal output pulse width	PW $H_{out}$		23.5	24.5	25.5	$\mu\text{s}$
Horizontal sync pull-in frequency range	$f_{Hpull}$	Differential versus 15.734 kHz	400			Hz
			-500			Hz
Horizontal output pulse start voltage	$V_{Hpos}$				5.5	V
Horizontal free-running frequency drift with time	$\Delta f_{HT}$	for 5 seconds to 30 minutes after power is applied	-50	-10	30	Hz
Horizontal blanking threshold level	$V_{H.blk}$		11			V
Horizontal output drive current	$I_{H.O}$		2.0		4.5	mA
Horizontal oscillation control sensitivity	$B_{fH}$	Reference value only (i.e. not specified)		236		Hz/ $\mu\text{A}$
Hold-down operation start voltage	$V_{HD}$		0.55	0.65	0.75	V
[Video block]						
Video tone control characteristics 1	RE1	$f = 2\text{ MHz}$ , Video tone VR: 0 V	-5	-3	-1	dB
Video tone control characteristics 1	RE2	$f = 2\text{ MHz}$ , Video tone VR: 12 V	12	15	18	dB
Video voltage gain	AV	$f = 100\text{ kHz}$ , Video tone VR: 5.5 V	12	15	18	dB
Contrast control center	eo	$f = 100\text{ kHz}$ , input: 100 mVp-p	0.2	0.3	0.4	Vp-p
Contrast variable range	$\Delta eo$	$f = 100\text{ kHz}$	16	18	20	dB
Bright control characteristics 1	BR1	No signal, bright VR: 3 V	8			V
Bright control characteristics 2	BR2	No signal, bright VR: 6 V	5.8	6.3	6.8	V
Bright control characteristics 3	BR3	No signal, bright VR: 9 V			4.5	V
Frequency response	f	$f = 5\text{ MHz}/f = 100\text{ kHz}$	-5			dB
DC restoration factor	$R_{DC}$	STAIR STEP signal reference value		100		%

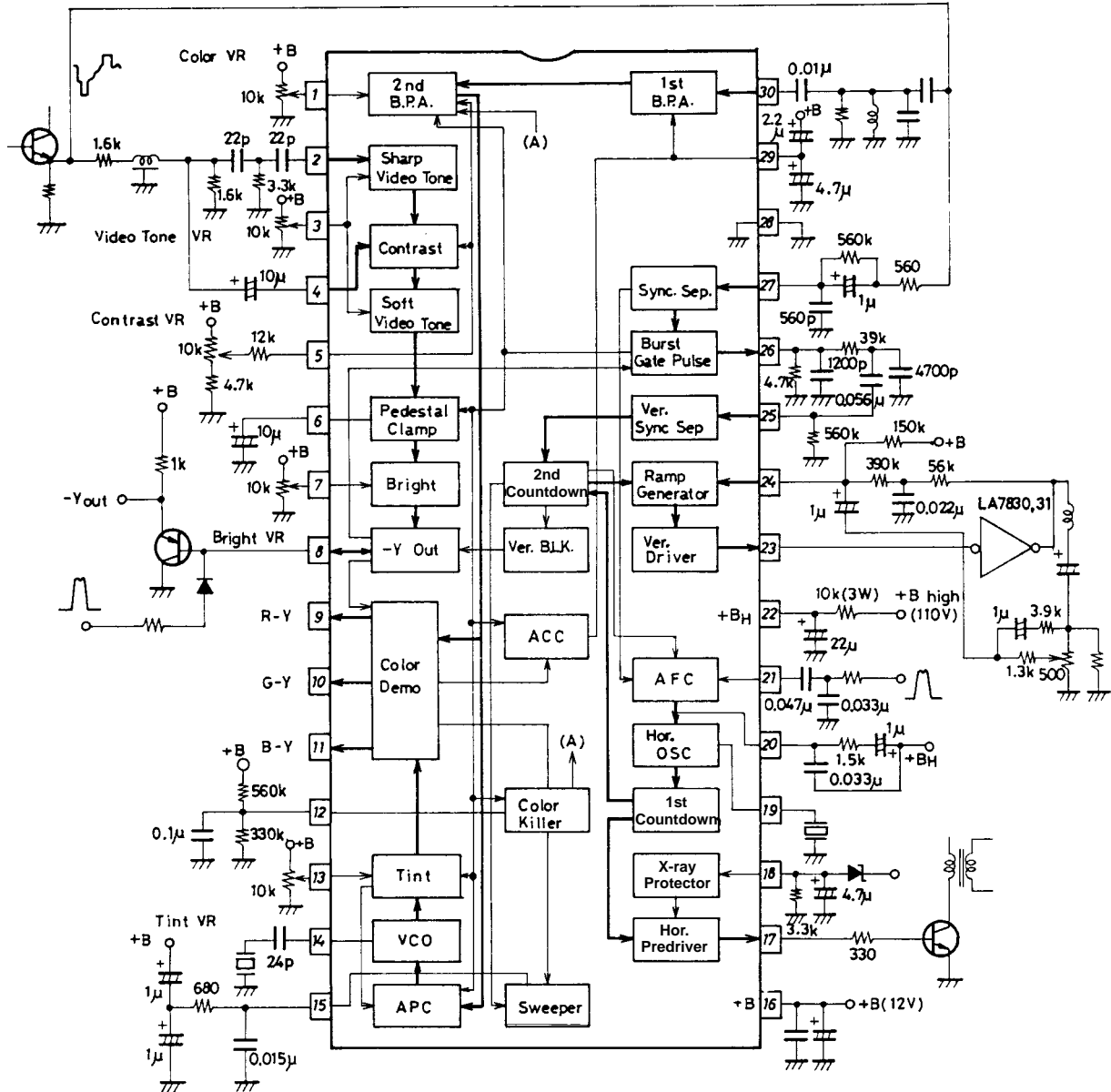
Continued on next page.

## LA7625, 7626

Continued from preceding page.

Parameter	Symbol	Conditions	min	typ	max	Unit
[Chroma Block]						
ACC amplitude characteristics 1	ACC1	Input: +6 dB	-3	0	+3	dB
ACC amplitude characteristics 2	ACC2	Input: -20 dB	-7		+2	dB
ACC phase characteristics 1	ACC <sub>φ</sub> 1	Input: +6 dB	-3		+3	deg
ACC phase characteristics 2	ACC <sub>φ</sub> 2	Input: -20 dB	-7		+7	deg
Killer operating point	EK		-55	-46	-40	dB
Color control center	B-Ycen	Output B-Y: color VR 6 V	2.9	4.3	5.5	Vp-p
Maximum demodulation output	B-Ymax	Output B-Y: color VR 12 V	5.5	6.5		Vp-p
Color contrast variable range	Δ Gcont	Output B-Y	15.5	17.0	18.5	dB
Tint center	Tcen	Output B-Y: tint VR 6 V	-17	-5	+7	deg
Tint variable range	Δ T	Output B-Y	+45 -35			deg
APC pull-in range	Δ f APC		±300			Hz
Demodulation output ratio 1	R-Y/B-Y		0.81	0.90	0.98	
Demodulation output ratio 2	G-Y/B-Y		0.24	0.30	0.38	
Demodulation angle 1	∠R-Y/B-Y	Tint VR 6 V	96	104	112	deg
Demodulation angle 2	∠R-Y/B-Y	Tint VR 6 V	-132	-122	-112	deg
Color difference output DC voltage	V9,10,11		6.7	7.2	7.7	V
Color difference output DC deviation voltage	Δ V9,10,11		-200		+200	mV

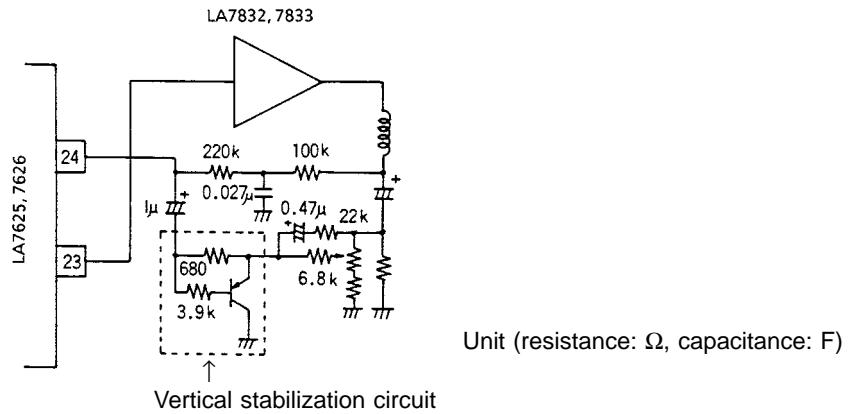
Block Diagram of Equivalent Circuit Block and Examples of Peripheral Circuits



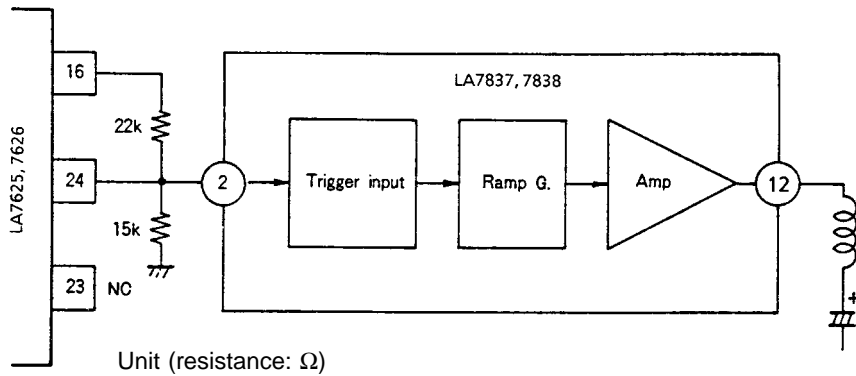
Unit (resistance: Ω, capacitance: F)

## LA7625, 7626

Vertical output IC (LA7832, 7833) connection circuit example  
Includes vertical stabilization circuit



Vertical output IC (LA7837, 7838) connection circuit example



The following family of color TV NTSC system Y, chroma, and deflection ICs has been developed, each with different functions and characteristics. Select the IC that best suits the application and purpose for which the color TV set is intended.

Type number	Peak clipping	DC restoration factor	Secondary differential circuit input polarity	Video tone		Remarks
				Soft	Sharp	
LA7620	O	70%	Positive polarity	O	O	
LA7621	X	70%	Positive polarity	O	O	
LA7625	O	100%	Positive polarity	O	O	
LA7626	X	100%	Positive polarity	O	O	
LA7629	X	100%	*Negative polarity	X	O	Video band 10MHz

\* : Requires inverting amplifier

- No products described or contained herein are intended for use in surgical implants, life-support systems, aerospace equipment, nuclear power control systems, vehicles, disaster/crime-prevention equipment and the like, the failure of which may directly or indirectly cause injury, death or property loss.
- Anyone purchasing any products described or contained herein for an above-mentioned use shall:
  - ① Accept full responsibility and indemnify and defend SANYO ELECTRIC CO., LTD., its affiliates, subsidiaries and distributors and all their officers and employees, jointly and severally, against any and all claims and litigation and all damages, cost and expenses associated with such use:
  - ② Not impose any responsibility for any fault or negligence which may be cited in any such claim or litigation on SANYO ELECTRIC CO., LTD., its affiliates, subsidiaries and distributors or any of their officers and employees jointly or severally.
- Information (including circuit diagrams and circuit parameters) herein is for example only; it is not guaranteed for volume production. SANYO believes information herein is accurate and reliable, but no guarantees are made or implied regarding its use or any infringements of intellectual property rights or other rights of third parties.

This catalog provides information as of June, 1995. Specifications and information herein are subject to change without notice.