



LA7696

Color TV ON-Screen Display Interface

Overview

The LA7696 is a color TV on-screen display interface IC. The R, G, B graphic input signals can be used to provide channel display and the fast blanking input signal can be used to provide black-bordered character, etc. The LA7696 also contains an auto green function to make green color more vivid and a service switch function in a DIP-20 slim-type package.

Input signals are R-Y, G-Y, B-Y, and -Y and output signals are converted to R, G, B primary color signals.

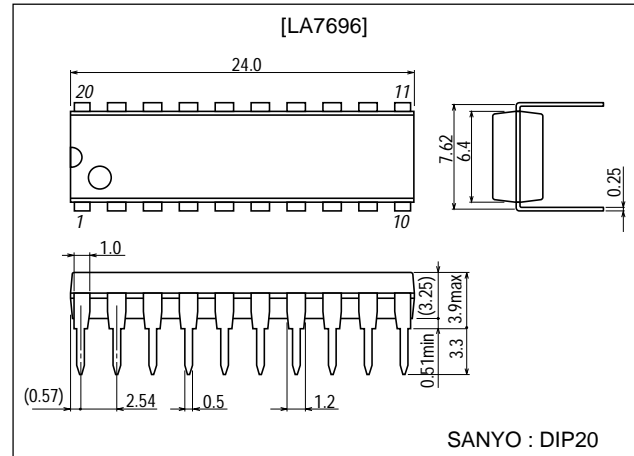
Functions and Features

- The R, G, B graphic input signals can be used to provide on-screen display.
The R, G, B graphic input signals can be combined to select six colors in addition to white and black.
- Fast blanking function.
- The black level and white level can be set separately, as desired, in the graphic mode.
- Output of primary color drive type (input : R-Y, G-Y, B-Y, -Y).
- Excellent frequency characteristic allowing the LA7696 to be used in a high-resolution TV.
- Auto green function.
Bluish green turns more vivid green.
- Service switch function.
It is easy to control the screen grid.
- The LA7696 can be easily used in conjunction with the LA7650, 7680 (under development) series.

Package Dimensions

unit:mm

3021C-DIP20



Specifications

Maximum Ratings at $T_a = 25^\circ\text{C}$

Parameter	Symbol	Conditions	Ratings	Unit
Maximum supply voltage	V_{20} max		14	V
	V_O max	Pins 15, 17, 19	14	V
IC flow-out current	I_O max	Pins 14, 16, 18	20	mA
Allowable power dissipation	P_d max	$T_a \leq 65^\circ\text{C}$	770	mW
Operating temperature	T_{opr}		-10 to +65	$^\circ\text{C}$
Storage temperature	T_{stg}		-55 to +125	$^\circ\text{C}$

■ Any and all SANYO products described or contained herein do not have specifications that can handle applications that require extremely high levels of reliability, such as life-support systems, aircraft's control systems, or other applications whose failure can be reasonably expected to result in serious physical and/or material damage. Consult with your SANYO representative nearest you before using any SANYO products described or contained herein in such applications.

■ SANYO assumes no responsibility for equipment failures that result from using products at values that exceed, even momentarily, rated values (such as maximum ratings, operating condition ranges, or other parameters) listed in products specifications of any and all SANYO products described or contained herein.

SANYO Electric Co., Ltd. Semiconductor Company

TOKYO OFFICE Tokyo Bldg., 1-10, 1 Chome, Ueno, Taito-ku, TOKYO, 110-8534 JAPAN

O2500TN (KT)/41095TH (KOTO)/N228YT, TS No.2921-1/6

LA7696

Operating Conditions at Ta = 25°C

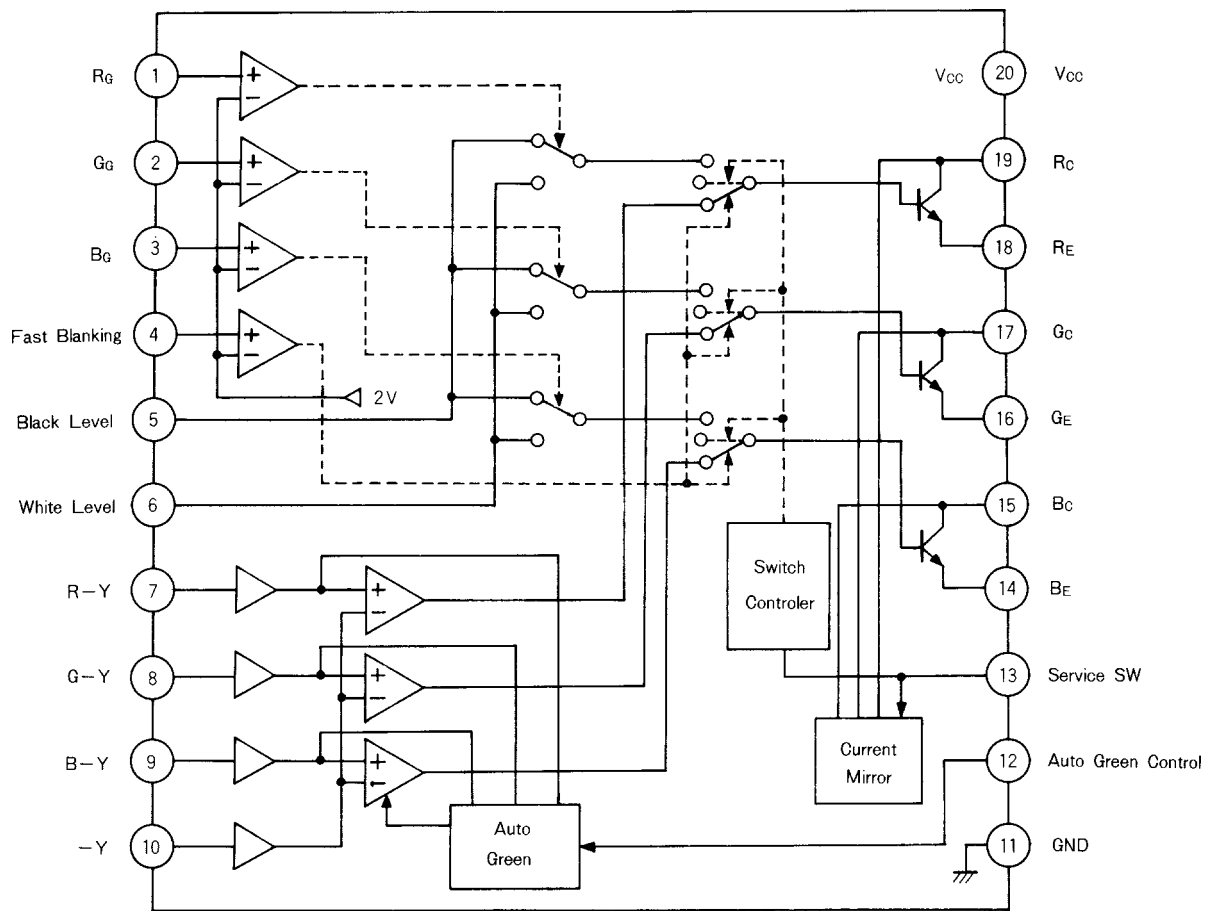
Parameter	Symbol	Conditions	Ratings	Unit
Recommended supply voltage	V ₂₀		12	V
Operating voltage range	V _{20 op}		10 to 13	V

Operating Characteristics at Ta = 25°C, V_{CC}=V₂₀=12V *C=R, G, B

Parameter	Symbol	Conditions	Ratings			Unit
			min	typ	max	
Output breakdown voltage	BV _{CEO}	I _C =0.1mA, I _B =0 (V ₁₃ =5.0V)	16			V
Supply current	I _{CC20}		27	35	44	mA
Output DC voltage	V _{EC}	-Y=4.0Vdc, C-Y=5.2Vdc pin13 : open	4.5	5.0	5.5	V
Output DC differential voltage	ΔV _{EC}		-0.2	0	+0.2	V
Service current	I _{C FACT}	V ₁₃ =5.0V			0.1	mA
	I _{C Field}	Pin 13 : pulled up to V _{CC} with 2.2kΩ	2.5	2.7	2.9	mA
Graphics black level	V _{BLC}	V _{BL} =4.3Vdc, CG=0V, FB=5V	4.5	5.0	5.5	V
Graphics white level	V _{WLC}	V _{WL} =5.4Vdc, CG=FB=5V	5.5	6.0	6.5	V
Gain	G	C-Y=5.2Vdc, -Y=3.5Vdc, 1Vp-p, f=1kHz	0.90	0.95	1.00	
Frequency characteristics	f-3dB	C-Y=5.2Vdc, -Y=3.5Vdc, 1Vp-p	8.0	14.0		MHz
Output voltage at OFF mode	V _{R, G, B}	C-Y=5.2Vdc, -Y=5.0Vdc	4.4	4.5	4.6	V
-Y distortion factor	-Y _{Dist}	-Y=3.5Vdc, 1Vp-p, 1kHz, C-Y=5.2Vdc			1	%
C-Y distortion factor	C-Y _{Dist}	C-Y=5.2Vdc, 1Vp-p, 1kHz, -Y=3.5Vdc			1	%
CG&FB pulse width	P _{W CGFB}	FB=CG=5Vp-o, 250ns, -Y=4.5Vdc, V _{WL} =5.9Vdc, C-Y=5.2Vdc	205	255	305	ns
CG&FB delay time	T _{d CGFB}	FB=CG=5Vp-o, 250ns, -Y=4.5Vdc, V _{WL} =5.9Vdc, C-Y=5.2Vdc		68	100	ns
FB pulse width	P _{W FB}	FB=5Vp-o, 250ns, -Y=2.5Vdc, V _{BL} =4.3Vdc, C-Y=5.2Vdc	215	265	315	ns
FB pulse width error	ΔP _{W FB}	FB=5Vp-o, 250ns, -Y=2.5Vdc, V _{BL} =4.3Vdc, C-Y=5.2Vdc	-25	0	+25	ns
FB delay time	T _{d FB}	FB=5Vp-o, 250ns, -Y=2.5Vdc, V _{BL} =4.3Vdc, C-Y=5.2Vdc		57	100	ns
CG pulse width	P _{W CG}	FB=5Vdc, CG=5Vp-o, 250ns, V _{WL} =5.9Vdc, V _{BL} =3.8Vdc	215	265	315	ns
CG pulse width error	ΔP _{W CG}	FB=5Vdc, CG=5Vp-o, 250ns, V _{WL} =5.9Vdc, V _{BL} =3.8Vdc	-25	0	+25	ns
CG delay time	T _{d CG}	FB=5Vdc, CG=5Vp-o, 250ns, V _{WL} =5.9Vdc, V _{BL} =3.8Vdc		65	100	ns
Maximu auto-green	AG max	R-Y=B-Y=5.2Vdc, G-Y=6.2Vdc, -Y=2.0Vdc, V ₁₂ =0 → 12V	1.9	2.3	2.7	V
Middle auto-green	AG mid	R-Y=B-Y=5.2Vdc, G-Y=6.2Vdc, -Y=2.0Vdc, V ₁₂ =0 → 8V	0.9	1.1	1.3	V
Input H-level voltage	V _{IH}	C-Y=5.2Vdc, -Y=4.0Vdc, V _{BL} =5.4V, V _{WL} =5.9V	2.3			V
Input L-level voltage	V _{IL}	C-Y=5.2Vdc, -Y=4.0Vdc, V _{BL} =5.4V, V _{WL} =5.9V			0.8	V
V _{CC} dependence of output DC voltage	ΔV _{out}	-Y=4.0Vdc, C-Y=5.2Vdc (V _{CC} =12V)	4.4	9.4	14.4	%/V

Note) Be sure to connect a protection resistor to pins 15, 17, 19 to prevent the IC from breaking down when discharge occurs in the cathode-ray tube.

Block Diagram



Auto Green Function

Basic Operation

When a standard NTSC demodulator is used to demodulate green color, an original green color turns bluish green. The auto green function works to reduce the B-Y component for green color correction so that the original green color can be reproduced faithfully. This correction can be provided in the range shown in Fig. 1.

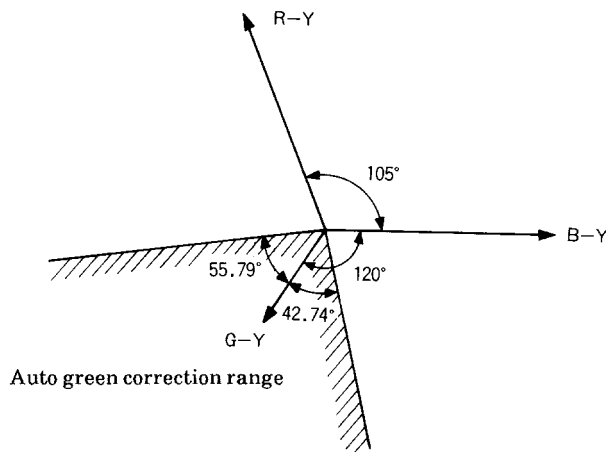
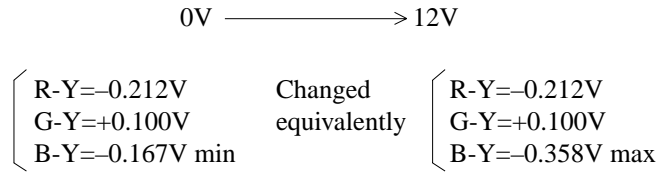


Fig. 1. Auto Green Correction Range

The auto green function compares each color difference signal of R-Y, G-Y, B-Y and if the G-Y component is larger than the R-Y, B-Y components the B-Y component is reduced in proportion to the difference between them.

The auto green function is also capable of providing your desired correction by setting the control voltage on pin 12. When the control voltage on pin 12 is changed as 0V → 12V, the input signals are changed equivalently as shown in Example 1. Actually, 5.2V offset given to R-Y, G-Y, B-Y with -Y=4V causes the B output (pin 14 of LA7696) to change as 4.83V → 4.64V.

Example 1
Control voltage on pin 12



If the G-Y component is +0.1V when a color on the G-Y demodulation axis comes, the B output voltage changes with the control voltage on pin 12 as shown in Fig. 2. The maximum change is -0.19V.

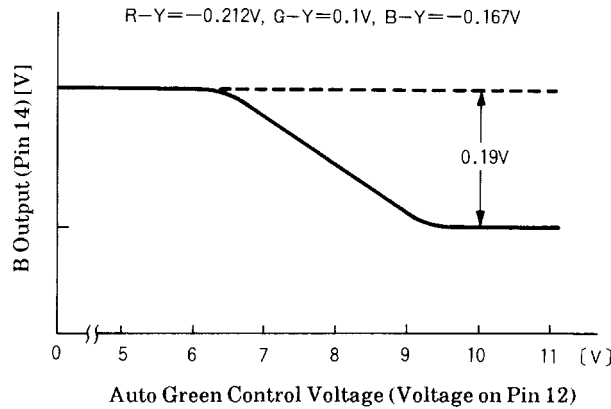


Fig. 2. Auto Green Characteristic

Function of the Service Switch
(screen grid voltage adjustment function during white balance adjustment)

The LA7679 output can be switched between the three modes a , b and c described below by the state of pin 13.

- a) Service switch function (for adjustment by a serviceman in the field)
 This function is provided to allow the screen grid voltage to be adjusted easily during white balance adjustment. As shown in Figure 3, when pin 13 is connected to V_{CC} through the resistor R13, the pin 15, 17 and 19 output transistors will be off. At the same time, a current equivalent to the current (I13) flowing in resistor R13 flows into each of the pins 15, 17 and 19. As a result, the CRT cathode potential can be fixed at an arbitrary value by changing R13. Thus the screen grid voltage can be adjusted easily.
 The current flowing into pins 15, 17 and 19 is determined by the following formula.

$$I_{15}=I_{17}=I_{19}=I_{13} = \frac{V_{CC}}{2 \times R_{13}}$$

Since pin 13 is connected to V_{CC} through a 2.2kΩ resistor, a current of about 2.7mA flows into each pin 15, 17 and 19. If + High B is set to 200V, the CRT cathode is fixed at 160V. The purpose of Tr1 is to protect the IC.

- b) Service switch function (for adjustment at the factory)
 The pin 15, 17 and 19 currents can be set to 0 (I15=I17=I19=0) by applying 5V (when V_{CC}=12V) to pin 13. In this state the pin 15, 17 and 19 output transistors will be off. Fix the CRT cathode potential by connecting a constant current source to the points (a total of 3 points) indicated with stars in Figure 3, and then adjust the screen grid voltage.
 The mode is appropriate for use in the manufacturing process where the TV set is assembled.

C) Normal operation
 When pin 13 is left open, the video signal will be output from pins 15, 17 and 19.

LA7696

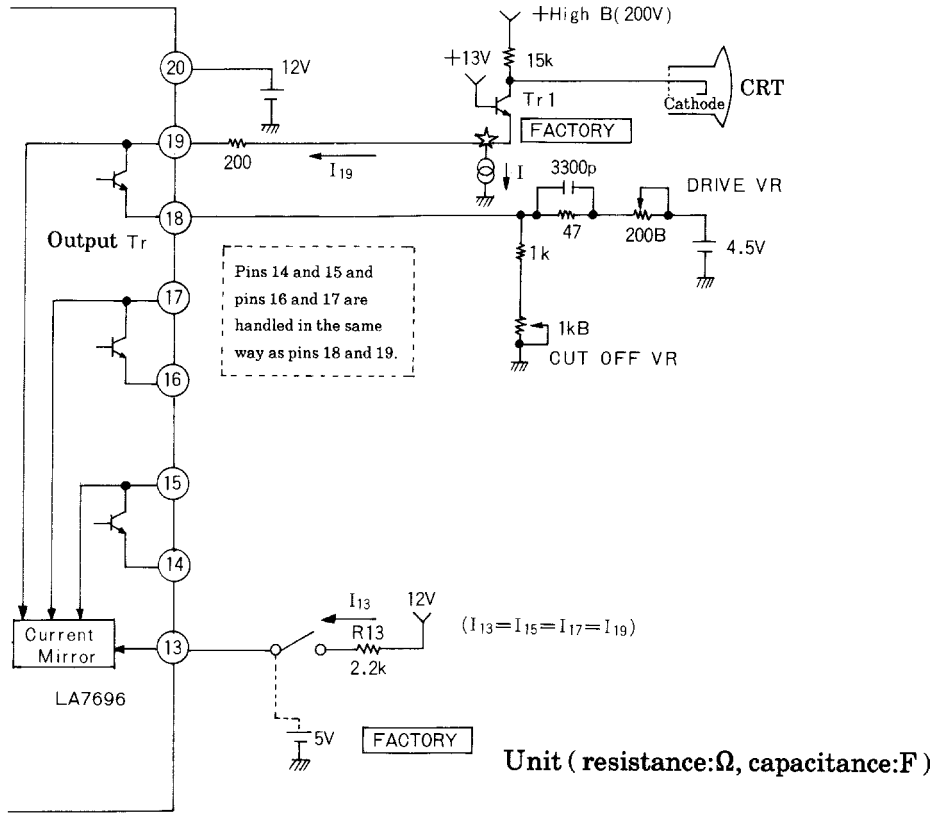
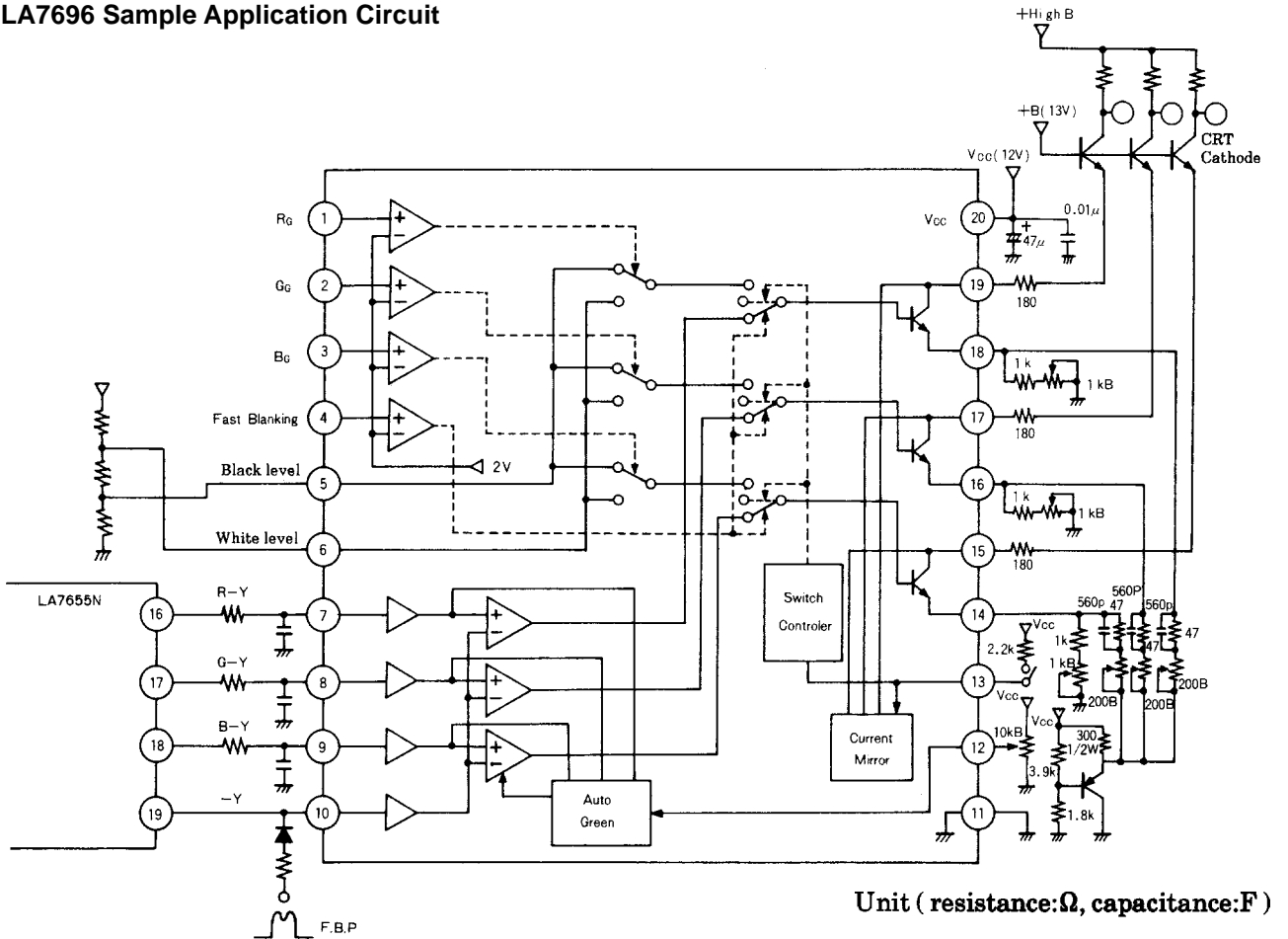


Fig. 3. Function of the servide switch

LA7696 Sample Application Circuit



- Specifications of any and all SANYO products described or contained herein stipulate the performance, characteristics, and functions of the described products in the independent state, and are not guarantees of the performance, characteristics, and functions of the described products as mounted in the customer's products or equipment. To verify symptoms and states that cannot be evaluated in an independent device, the customer should always evaluate and test devices mounted in the customer's products or equipment.
- SANYO Electric Co., Ltd. strives to supply high-quality high-reliability products. However, any and all semiconductor products fail with some probability. It is possible that these probabilistic failures could give rise to accidents or events that could endanger human lives, that could give rise to smoke or fire, or that could cause damage to other property. When designing equipment, adopt safety measures so that these kinds of accidents or events cannot occur. Such measures include but are not limited to protective circuits and error prevention circuits for safe design, redundant design, and structural design.
- In the event that any or all SANYO products(including technical data, services) described or contained herein are controlled under any of applicable local export control laws and regulations, such products must not be exported without obtaining the export license from the authorities concerned in accordance with the above law.
- No part of this publication may be reproduced or transmitted in any form or by any means, electronic or mechanical, including photocopying and recording, or any information storage or retrieval system, or otherwise, without the prior written permission of SANYO Electric Co., Ltd.
- Any and all information described or contained herein are subject to change without notice due to product/technology improvement, etc. When designing equipment, refer to the "Delivery Specification" for the SANYO product that you intend to use.
- Information (including circuit diagrams and circuit parameters) herein is for example only ; it is not guaranteed for volume production. SANYO believes information herein is accurate and reliable, but no guarantees are made or implied regarding its use or any infringements of intellectual property rights or other rights of third parties.

This catalog provides information as of October, 2000. Specifications and information herein are subject to change without notice.