



LA7790M

QPSK Transmitter for Cable TV

Overview

The LA7790M is a QPSK data transmitter for digital cable TV applications. By integrating the I/Q quadrature modulator, RF amplifier, electronic volume control, mute control, and other functions onto a single chip, parts count is reduced and set size is miniaturized.

- Varactor diode-based VCO
- Muting
- Electronic volume control
- Power-saving modes
- Switchable output frequency range
- Power supply voltage of 5 V (4.5 to 5.5 V)

Features

- Maximum RF amplifier output level of +10 dBm (75Ω terminator), suitable for directly driving the cable.
- RF output frequency range of 5 to 70 MHz. Frequency range selection function permits broadband designs.
- Electronic volume control for direct-current control of RF output level.
- Muting ensures ample attenuation during periods with no transmission.
- Support for both internal and external bias for I/Q modulation inputs.
- Support for I/Q modulation frequencies up to 10 MHz. (typ: 500 mVp-p)

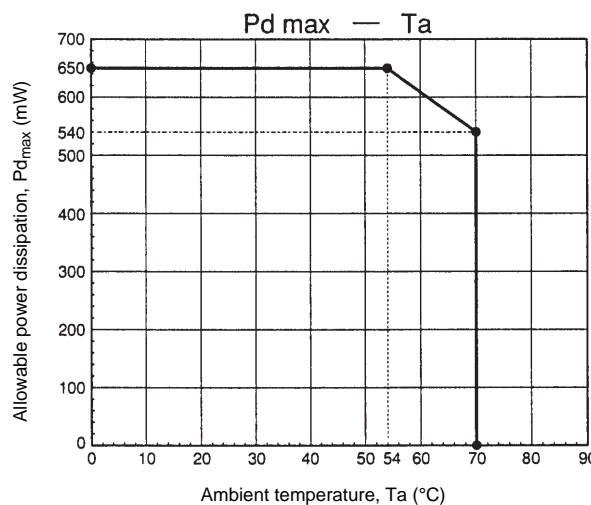
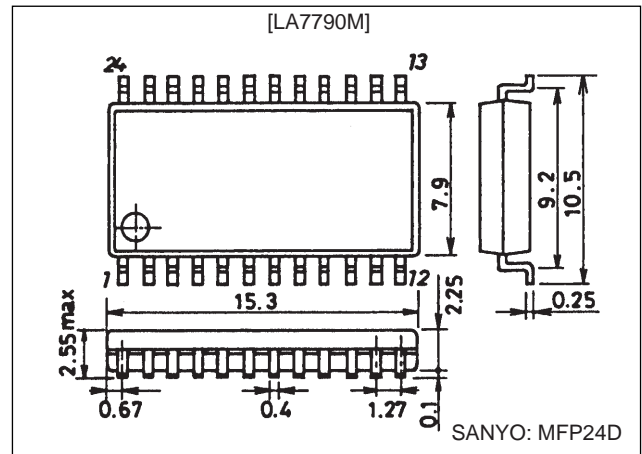
Functions

- I/Q quadrature modulator
- I/Q input bias power supply
- RF amplifier

Package Dimensions

unit: mm

3108-MFP24D



LA7790M

Specifications

Maximum Ratings at $T_a = 25^\circ\text{C}$

Parameter	Symbol	Conditions	Ratings	Unit
Maximum power supply voltage	$V_{CC\text{ max}}$	Pins 1, 10, and 24	7	V
Circuit voltage	V_{max}	Pins 1, 12, 17, 20, 21, and 23	V_{CC}	V
Circuit current	I_{11}	Output lead-in current	1	mA
	I_{19}		2	mA
Allowable power dissipation	$P_{d\text{ max}}$	$T_a \leq 54^\circ\text{C}$	650	mW
Operating ambient temperature	T_{opr}		-20 to +70	$^\circ\text{C}$
Storage temperature	T_{stg}		-55 to +150	$^\circ\text{C}$

Recommended Conditions at $T_a = 25^\circ\text{C}$

Parameter	Symbol	Conditions	Ratings	Unit
Operating power supply voltage	$V_{CC\text{ op}}$	Pins 1, 10, and 24	4.5 to 5.5	V

Operating Characteristics at $T_a = 25^\circ\text{C}$, $V_{CC} = 5.0\text{ V}$

Parameter	Symbol	Conditions	Ratings			Unit
			min	typ	max	
Current drain						
Circuit current 1	I_1	With no signal, pin 1	26	33	44	mA
Circuit current 2	$I_{24} + I_{10}$	With no signal, pins 24 and 10	44	55	73	mA
Modulator fo: $f(V_{19}) = 25\text{ MHz}$						
Output frequency range	$f_{(V_{19})}$		5		70	MHz
Output signal level	$V_{19(\text{DSB})}$	Note 1: $V_{20} = V_{23} = \text{GND}$, $V_{12} = V_{17} = V_{21} = V_{CC}$, $S1 = A$	-7	-4	-2	dBm
Output harmonic distortion	$V_{19(\text{HD2})}$	Note 2: $V_{20} = V_{23} = \text{GND}$, $V_{12} = V_{17} = V_{21} = V_{CC}$, $S1 = A$	40			dB
	$V_{19(\text{HD3})}$		35			dB
Output secondary harmonic distortion	$V_{19(2f_o)}$	Note 3: $V_{20} = V_{23} = \text{GND}$, $V_{12} = V_{17} = V_{21} = V_{CC}$, $S1 = A$	20			dB
Output tertiary harmonic distortion	$V_{19(3f_o)}$	Note 3: $V_{20} = V_{23} = \text{GND}$, $V_{12} = V_{17} = V_{21} = V_{CC}$, $S1 = A$	8			dB
Carrier suppression ratio	$V_{19(f_o)}$	Note 4: $V_{20} = V_{23} = \text{GND}$, $V_{12} = V_{17} = V_{21} = V_{CC}$, $S1 = A$	30			dB
Sideband suppression ratio	$V_{19(\text{SSB})}$	Note 5: $V_{20} = V_{23} = \text{GND}$, $V_{12} = V_{17} = V_{21} = V_{CC}$, $S1 = A$	30			dB
I input level	$V_{4,5}$	$V_{4,5} = V_4 - V_5 $		500		mVp-p
Q input level	$V_{8,9}$	$V_{8,9} = V_8 - V_9 $		500		mVp-p
I input DC voltage	$V_{4,5}$	External DC bias voltage	1.9	2.1	2.3	V
Q input DC voltage	$V_{8,9}$	External DC bias voltage	1.9	2.1	2.3	V
Reference voltage	V_6	Internal DC bias voltage	1.9	2.1	2.3	V
Variable attenuator						
Minimum gain control voltage	V_{21}	$V_{12} = V_{17} = V_{CC}$, $V_{20} = V_{23} = \text{GND}$, $S1 = A$	0		0.5	V
Gain range	$V_{19(\text{GR})}$	Note 6: $V_{20} = V_{23} = \text{GND}$, $V_{12} = V_{17} = V_{CC}$, $S1 = A$, $V_{21} = V_{CC} \rightarrow 0.5\text{ V}$	45			dB
Modulator output impedance	R_{19}	$V_{12} = V_{17} = V_{21} = V_{CC}$, $V_{20} = V_{23} = \text{GND}$, $S1 = A$	80	120	160	Ω
VCO						
Oscillator frequency range	$f_{(\text{osc})}$	$V_{12} = V_{17} = V_{21} = V_{CC}$, $V_{20} = V_{23} = \text{GND}$, $S1 = A$	20		280	MHz
VCO output level	$V_{11(f_o)}$	$V_{12} = V_{17} = V_{21} = V_{CC}$, $V_{20} = V_{23} = \text{GND}$, $S1 = A$	500	700	900	mVp-p
VCO output impedance	R_{11}	$V_{12} = V_{17} = V_{21} = V_{CC}$, $V_{20} = V_{23} = \text{GND}$, $S1 = A$	200	300	400	Ω
Band switch						
Band switch 1 "H" level $f(V_{19}) = 25\text{ MHz}$	$V_{17\text{H}}$	Note 7: $V_{12} = V_{21} = V_{CC}$, $V_{20} = V_{23} = \text{GND}$, $S1 = A$	4			V
Band switch 1 "L" level $f(V_{19}) = 12.5\text{ MHz}$	$V_{17\text{L}}$	Note 7: $V_{12} = V_{21} = V_{CC}$, $V_{20} = V_{23} = \text{GND}$, $S1 = A$			1	V

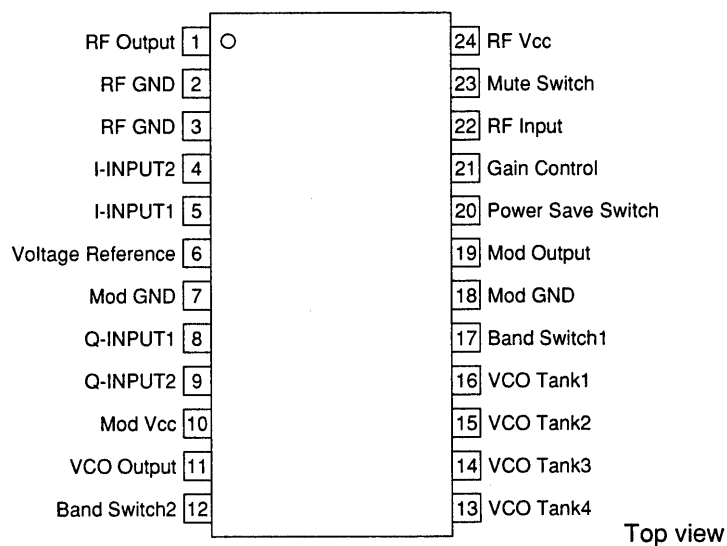
Continued on next page.

LA7790M

Continued from preceding page.

Parameter	Symbol	Conditions	Ratings			Unit
			min	typ	max	
Band switch 2 "H" level $f(V_{11}) = 25 \text{ MHz}$	V_{12H}	Note 7: $V_{17} = V_{21} = V_{CC}$, $V_{20} = V_{23} = \text{GND}$, $S1 = A$	4			V
Band switch 2 "L" level $f(V_{11}) = 12.5 \text{ MHz}$	V_{12L}	Note 7: $V_{17} = V_{21} = V_{CC}$, $V_{20} = V_{23} = \text{GND}$, $S1 = A$			1	V
RF output amplifier						
Maximum output level	$V_1 \text{ max}$	Note 8: $V_{12} = V_{17} = V_{21} = V_{CC}$, $V_{20} = V_{23} = \text{GND}$, $SG3 = -6 \text{ dBm}$, $S1 = A$	7	10	13	dBm
Maximum output distortion	$V_{1(HD2)}$	Note 8: $V_{12} = V_{17} = V_{21} = V_{CC}$, $V_{20} = V_{23} = \text{GND}$, $SG3 = -6 \text{ dBm}$, $S1 = A$	40			dBc
	$V_{1(HD3)}$		40			dBc
Muting						
Muting on voltage	V_{23H}	$V_{12} = V_{17} = V_{21} = V_{CC}$, $V_{20} = \text{GND}$, $S1 = B$	4			V
Muting off voltage	V_{23L}	$V_{12} = V_{17} = V_{21} = V_{CC}$, $V_{20} = \text{GND}$, $S1 = B$			1	V
Muting attenuation	$V_{1(\text{mute})}$	Note 9: $V_{23} = 1 \text{ V} \rightarrow 4 \text{ V}$ $V_{12} = V_{17} = V_{21} = V_{CC}$, $V_{20} = \text{GND}$, $S1 = B$	70			dB
Power save function						
Power save on voltage	V_{20H}		4			V
Power save off voltage	V_{20L}				1	V
Power save current	I_1	Note 10: $V_{20} = 4 \text{ V}$	0		0.1	mA

Pin Assignment

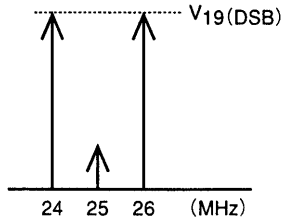


LA7790M

Note 1

Input: SG1 = 1 MHz CW, 500 mVp-p, SG2 = No Signal or
SG2 = 1 MHz CW, 500 mVp-p, SG1 = No Signal

Output:

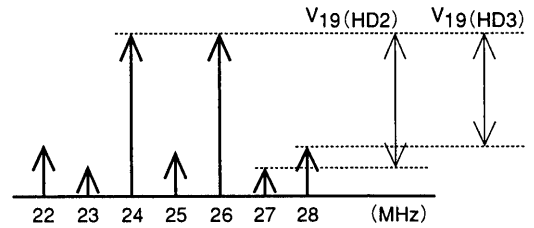


A09628

Note 2

Input: Same as Note 1

Output:

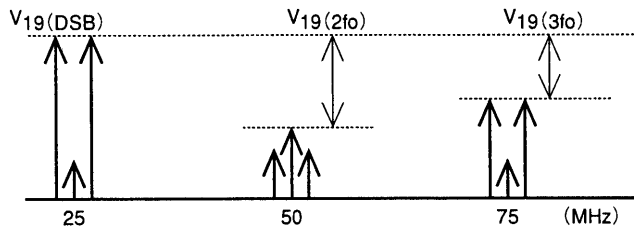


A09629

Note 3

Input: Same as Note 1

Output:

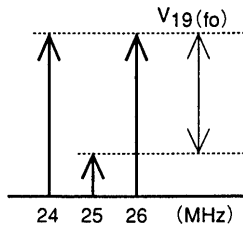


A09630

Note 4

Input: SG1 = SG2 = 1 MHz CW, 500 mVp-p

Output:

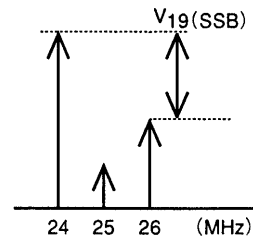


A09631

Note 5

Input: SG1 = 1 MHz CW, 500 mVp-p, 0deg
SG1 = 1 MHz CW, 500 mVp-p, 90deg

Output:

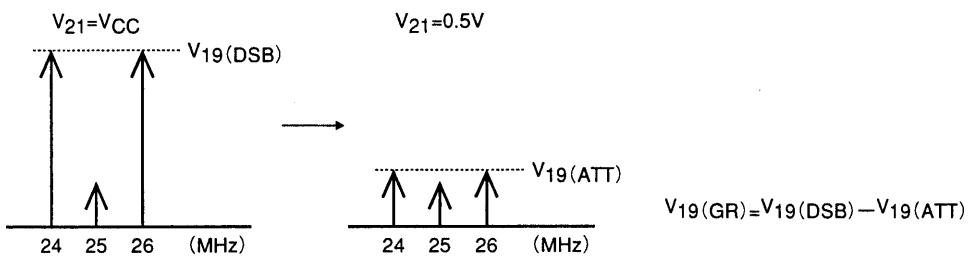


A09628

Note 6

Input: SG1 = 1 MHz CW, 500 mVp-p

Output:



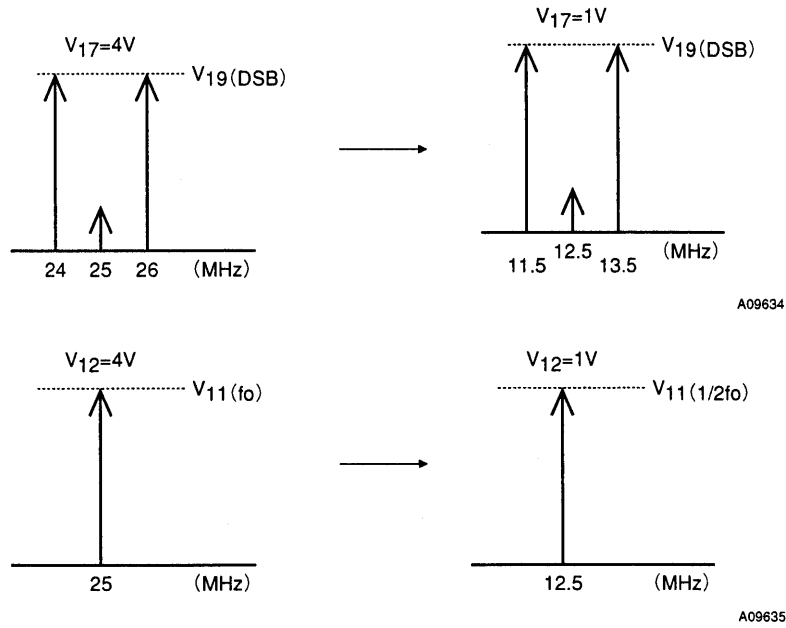
A09633

LA7790M

Note 7

Input: SG1 = 1 MHz CW, 500 mVp-p

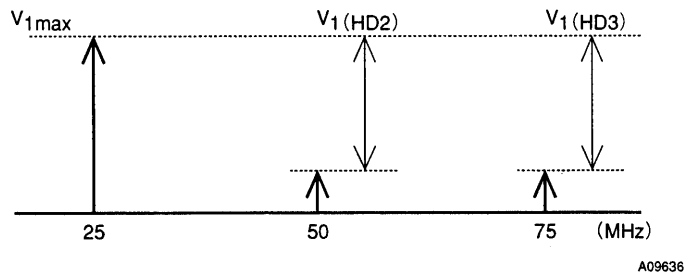
Output:



Note 8

Input: SG3 = 25 MHz CW, -6 dBm

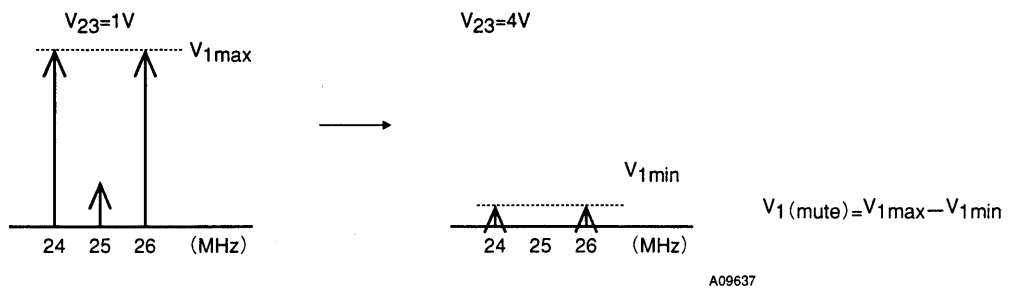
Output:



Note 9

Input: SG1 = 1 MHz CW, 500 mVp-p

Output:

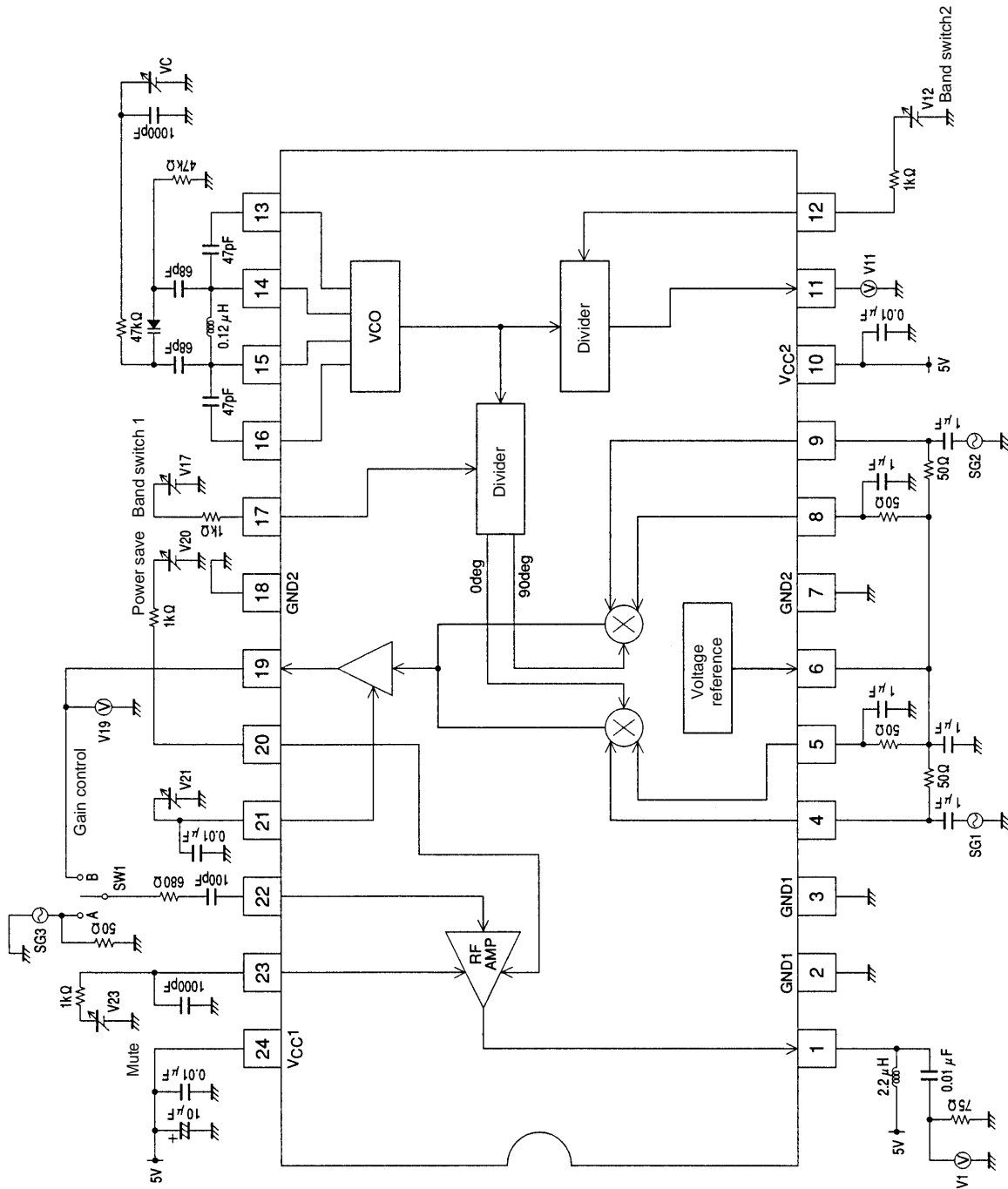


Note 10

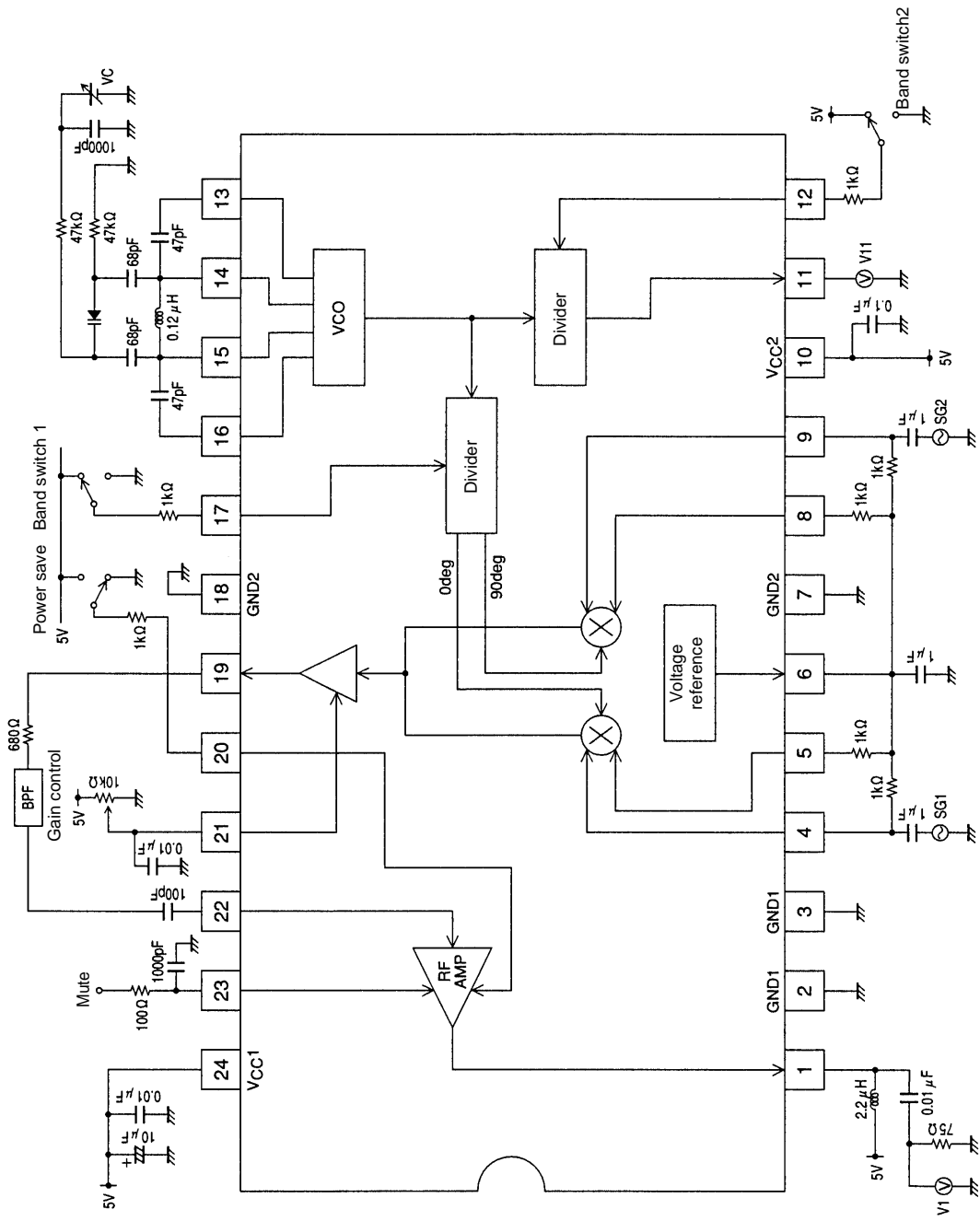
I_1 = pin 1 current when $V_{20} = 4$ V (power save on).

Measurement Circuit

A09638



Sample Application Circuit



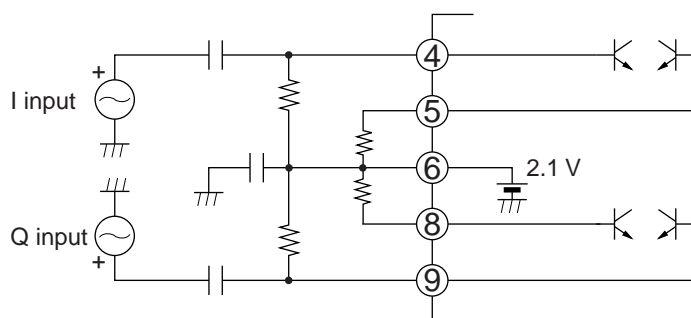
A09639

LA7790M

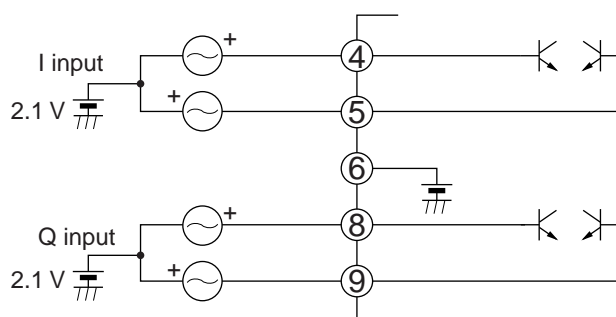
1. Modulator

The modulator consists of two identical multiplier circuits, creating I and Q channels. Pins 4 & 5 and pins 8 & 9 are I and Q channel inputs, respectively. These pins must be biased at 2.1 ± 0.2 V. Pin 6 is an internal 2.1 V bias. This internal bias can be used if the I & Q data inputs are AC coupled, but an external bias must be used in the case of DC coupled data inputs. Carrier suppression is improved if the offset voltages between pins 4 & 5 and pins 8 & 9 are small.

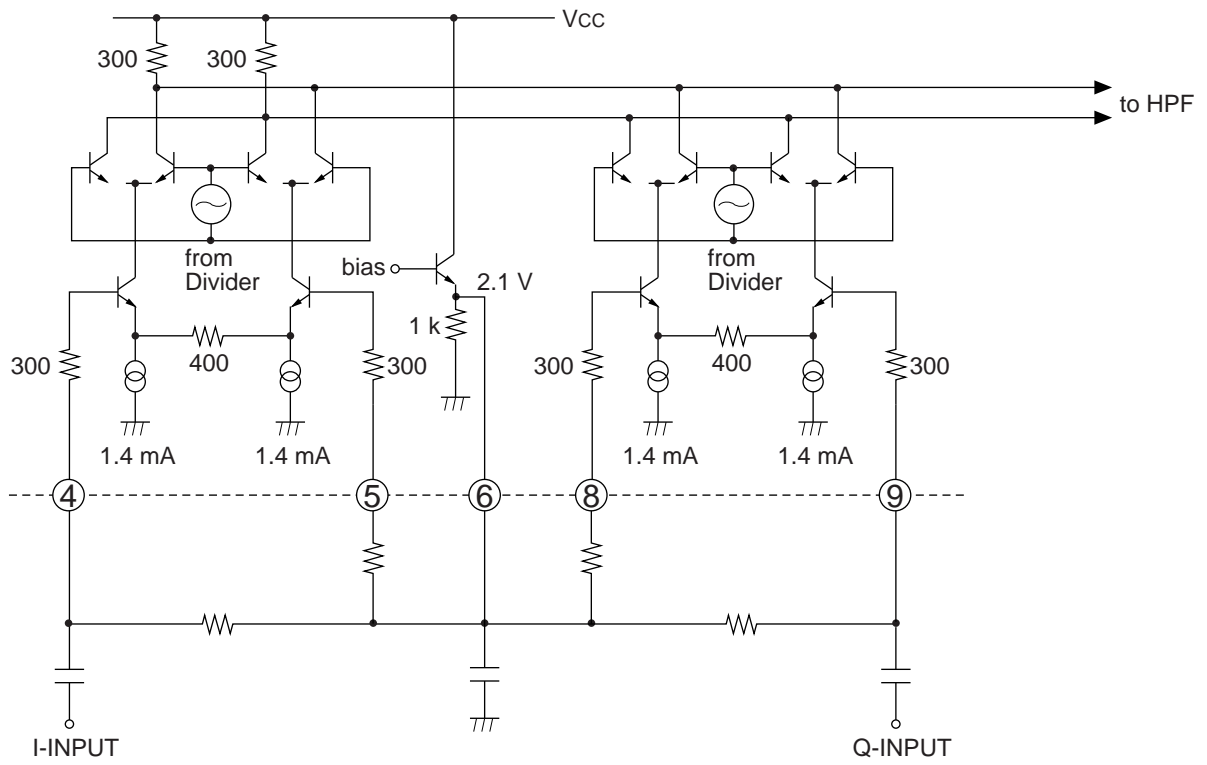
(1) AC coupled application



(2) DC coupled application



Equivalent circuit of modulator block



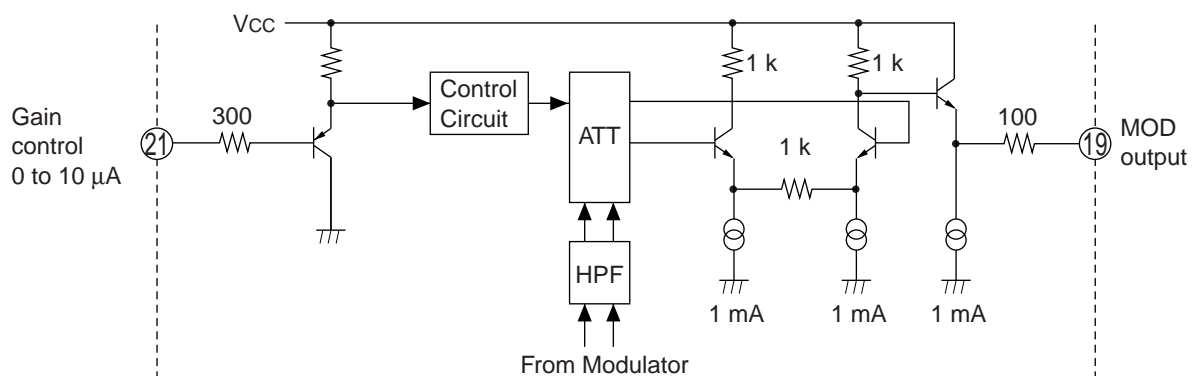
Unit (resistance : Ω)

2. Attenuator

The attenuator input signal comes from the modulator output via a high pass filter ($f_C = 2$ MHz). The modulator output is pin 19. Pin 19 is connected to the emitter of an NPN emitter follower through a $100\ \Omega$ resistor. The emitter sink current is about 1 mA, but can be increased by the addition of an external resistor between pin 19 and ground. The minimum value for the external resistor is $1.5\ k\Omega$.

The output level of pin 19 can be adjusted using pin 21. Pin 21 is connected to the base of a PNP emitter follower through a $300\ \Omega$ resistor. When pin 21 = 0 V, the base current is about $10\ \mu A$.

Equivalent circuit of attenuator block



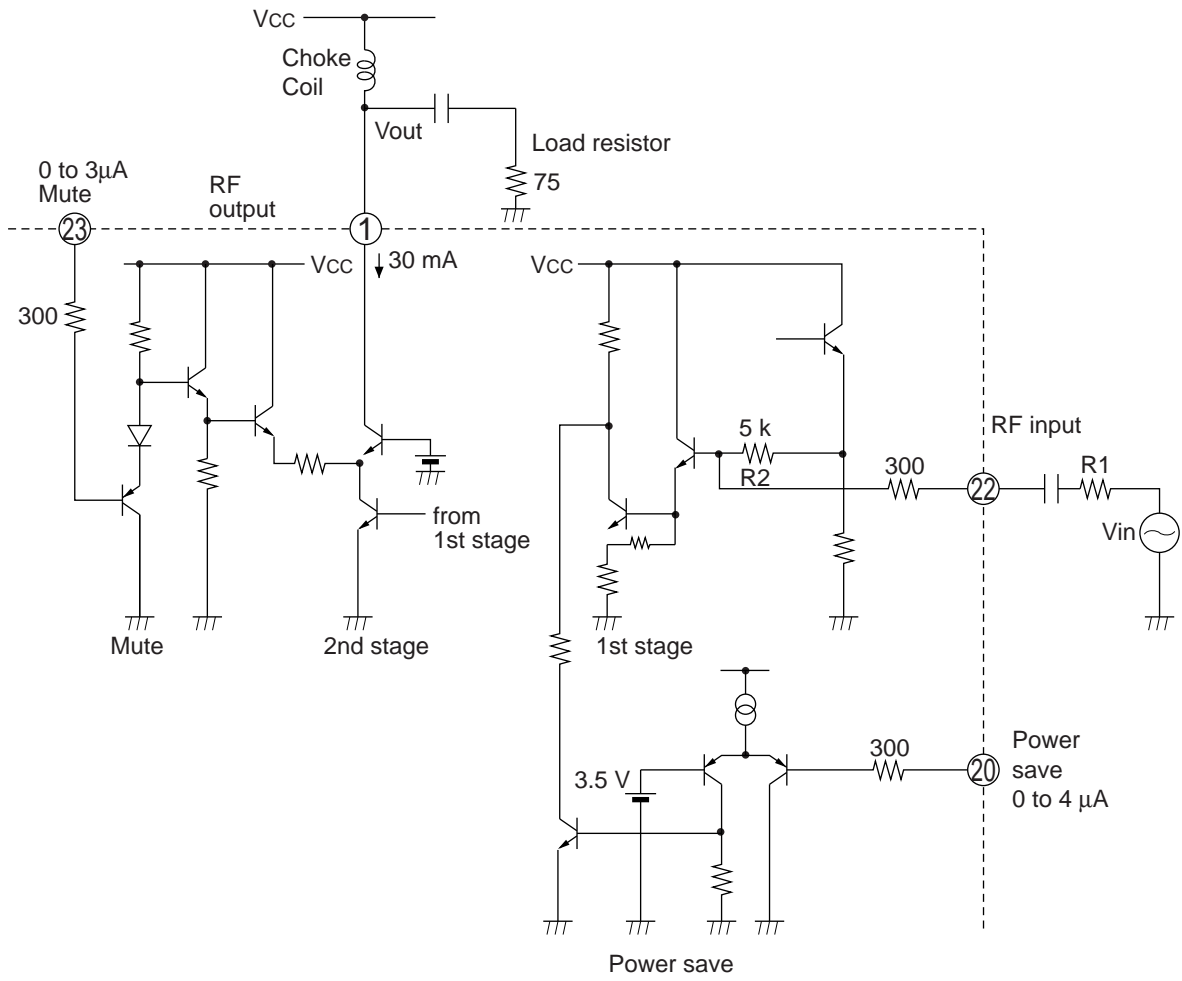
Unit (resistance : Ω)

3. RF Amplifier

The RF amplifier input signal comes from the attenuator output after the harmonics are removed by the LPF. The RF amplifier is composed of a two-stage amplifier and includes mute and power save functions.

The gain of the RF amplifier can be adjusted using the external input resistor connected to pin 22 and the external load resistor connected to pin 1. The input of pin 22 must be AC coupled. The output of pin 1 must be connected to V_{CC} via a choke coil. Pin 23 (mute control) and pin 20 (power save control) are both high impedance inputs (base current less than $10\ \mu A$). For normal operation, the voltage at pins 20 and 23 must be less than 1 V. For Mute and Power Save operation, the voltage at pins 20 and 23 must be between $V_{CC}-1$ and V_{CC} .

Equivalent circuit of RF amplifier block



$$\text{RF Amplifier Gain} \approx \frac{R1 + R2 + 300}{R1 + 300} \quad R1 : \text{Input Resistor}$$

The gain of RF amplifier can be adjusted by changing the value R1.

Unit (resistance : Ω)

4. Oscillator

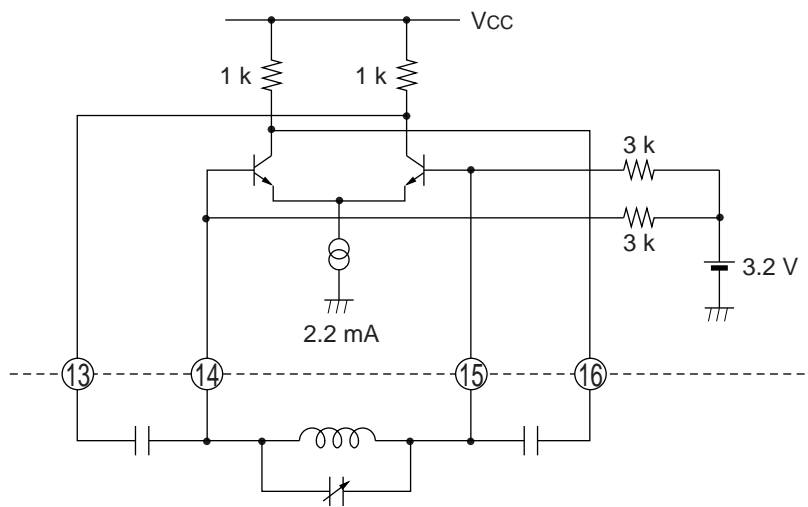
The oscillator signal is divided by either 4 or 8, and supplied to the modulator as 0° and 90° switching signals. The division mode can be selected using Band Switch 1 (pin 17).

Pin 17 = High → Modulation frequency = 1/4 oscillator frequency

Pin 17 = Low → Modulation frequency = 1/8 oscillator frequency

The oscillator requires an external coil and capacitors. Pins 14 & 15 should be DC coupled using a coil. A coil with Qu of 30 or greater is required and the impedance between pins 14 and 15 is 6 kΩ. The value of the coupling capacitors between pins 13 & 14 and pins 15 & 16 must be large enough so that the signal phase rotation is small.

Equivalent circuit of oscillator block



Unit (resistance : Ω)

5. Oscillator Output

The output frequency of the oscillator is equal to or half of the output frequency of the modulator. The mode is set using Band Switch 2 (pin 12).

Pin 12 = High → Oscillator output frequency = modulator frequency

Pin 12 = Low → Oscillator output frequency = 1/2 modulator frequency

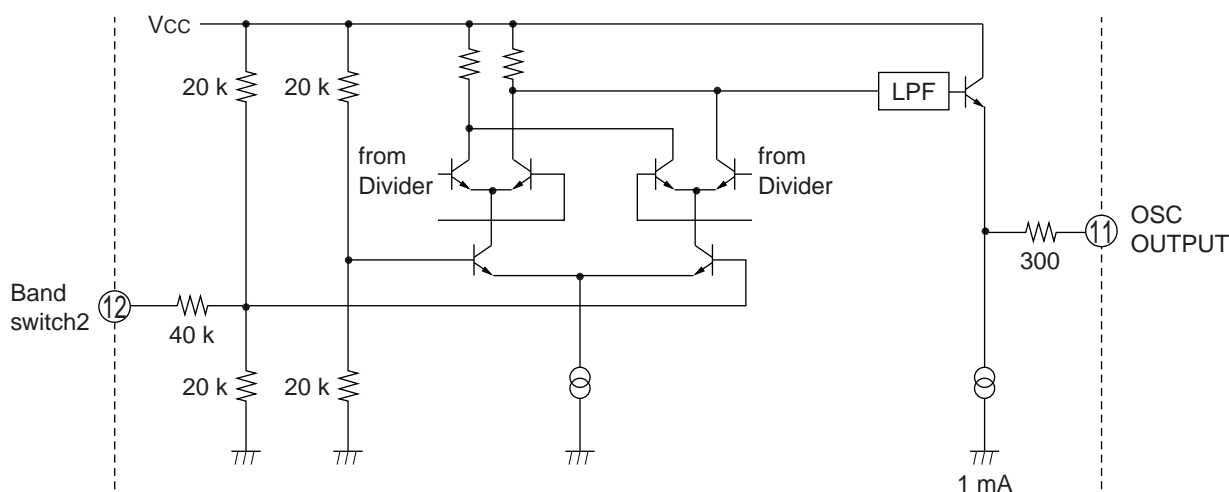
6. Band Switch

The input circuitry of Band Switch 1 (pin 17) and Band Switch 2 (pin 12) are the same. A low setting requires a voltage of less than 1 V at the pin. A high setting requires a voltage between $V_{CC}-1$ and V_{CC} at the pin. Settings of low or high generate currents of $\pm 50 \mu A$ at pins 12 and 17.

Pin 12, 17 = High → Sink current = $50 \mu A$

Pin 12, 17 = Low → Source current = $50 \mu A$

Equivalent circuit of osc output and band switch blocks



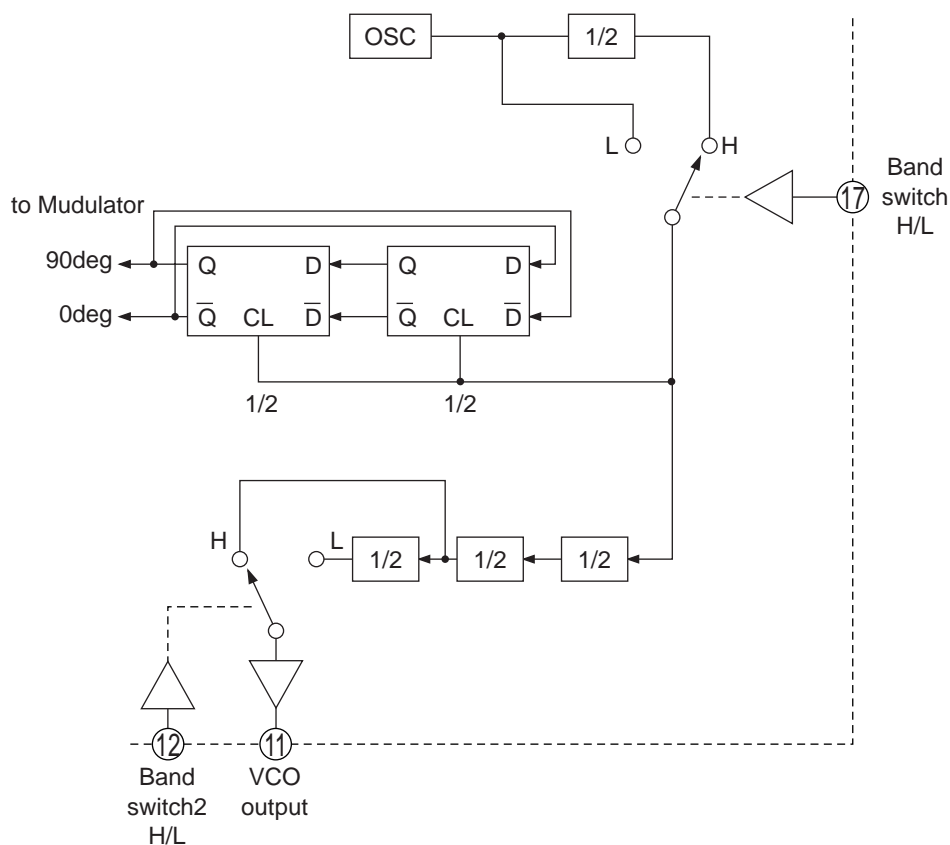
The input circuitry of band switch 1 is same.

Unit (resistance : Ω)

7. Digital ECL Circuit

To get the correct $0^\circ/90^\circ$ phase switching signal for the modulator, a divide-by-four dual flip-flop is employed as shown in the following figure.

Band Switch 1 can be used to expand the range of the modulation frequency. Band Switch 2 can be used to select the frequency to output to an external PLL.



- No products described or contained herein are intended for use in surgical implants, life-support systems, aerospace equipment, nuclear power control systems, vehicles, disaster/crime-prevention equipment and the like, the failure of which may directly or indirectly cause injury, death or property loss.
- Anyone purchasing any products described or contained herein for an above-mentioned use shall:
 - ① Accept full responsibility and indemnify and defend SANYO ELECTRIC CO., LTD., its affiliates, subsidiaries and distributors and all their officers and employees, jointly and severally, against any and all claims and litigation and all damages, cost and expenses associated with such use:
 - ② Not impose any responsibility for any fault or negligence which may be cited in any such claim or litigation on SANYO ELECTRIC CO., LTD., its affiliates, subsidiaries and distributors or any of their officers and employees jointly or severally.
- Information (including circuit diagrams and circuit parameters) herein is for example only; it is not guaranteed for volume production. SANYO believes information herein is accurate and reliable, but no guarantees are made or implied regarding its use or any infringements of intellectual property rights or other rights of third parties.

This catalog provides information as of May, 1998. Specifications and information herein are subject to change without notice.