

SANYO

NO.1831C

LB1205**High-Voltage,
High-Current Darlington Driver****Functions and Features**

- . 4-unit, high-voltage (65V), high-current (1.5A) Darlington driver
- . PNP input type (Low active)
- . On-chip spark killer diodes
- . On-chip input protection diodes
- . Capable of being driven directly from 5V-operated CMOS, TTL

Absolute Maximum Ratings at Ta=25°C

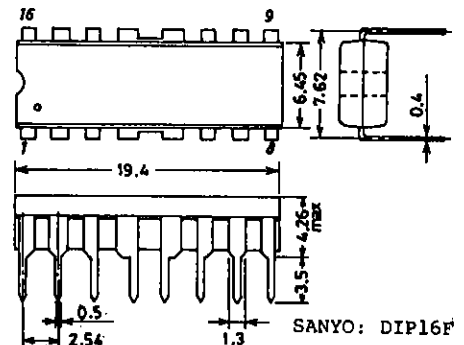
				unit
Maximum Supply Voltage	V_{DDmax}		7.0	V
	V_{CCmax}		62	V
Output Supply Voltage	V_{Omax}		65	V
Input Supply Voltage	V_{INmax}	$V_{IN} \geq Gnd$	$V_{DD}-7.0$ to $V_{DD}+10.0$	V
Output Current	I_{Omax}		1.5	A
Spark Killer Diode Forward Current	I_{Fs}		1.5	A
Allowable Power Dissipation	P_{dmax}^*		*1.9	W
Operating Temperature	T_{opr}		-20 to +75	°C
Storage Temperature	T_{stg}		-55 to +150	°C
		*Mounted on the recommended printed circuit board	2.6	W

Allowable Operating Conditions at Ta=25°C

				unit
Supply Voltage Range	V_{DD}		3.0 to 7.0	V
Input "ON" Level Voltage	V_{INon}	$V_{IN} \geq Gnd, I_o=1.0A$	$V_{DD}-7.0$ to $V_{DD}-2.6$	V
Input "OFF" Level Voltage	V_{INoff}	$I_o=30\mu A$	$V_{DD}-0.3$ to $V_{DD}+10.0$	V

Electrical Characteristics at Ta=25°C, $V_{DD}=5.0V$

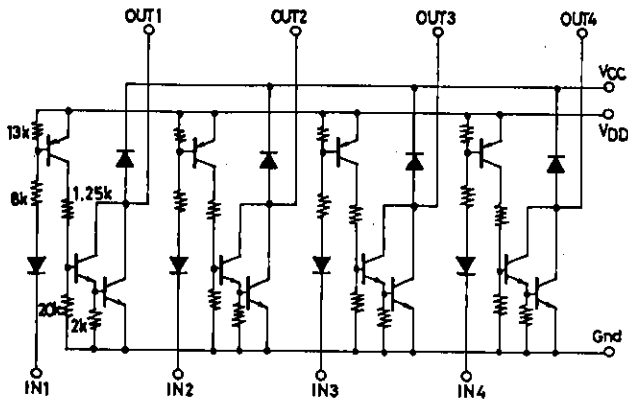
			min	typ	max	unit
Output Saturation Voltage	V_{osat1}	$V_{IN}=V_{DD}-5.0V, I_o=0.5A$			1.2	V
	V_{osat2}	" , $I_o=1.0A$			1.5	V
	V_{osat3}	" , $I_o=1.5A$			2.0	V
Output Sustain Voltage	V_{osus}	$I_o=100mA$	65			V
Input Current	I_{IN}	$V_{DD}=7.0V, V_{IN}=V_{DD}-7.0V$			1.0	mA
Spark Killer Diode Forward Voltage	V_{Fs}	$I_{Fs}=1.5A$			3.0	V
Spark Killer Diode Reverse Current	I_{Rs}	$V_{CC}=62V, V_o=0V$			30	μA

**Package Dimensions 3054A
(unit : mm)**

SANYO Electric Co., Ltd. Semiconductor Business Headquarters
TOKYO OFFICE Tokyo Bldg., 1-10, 1 Chome, Ueno, Taito-ku, TOKYO, 110 JAPAN

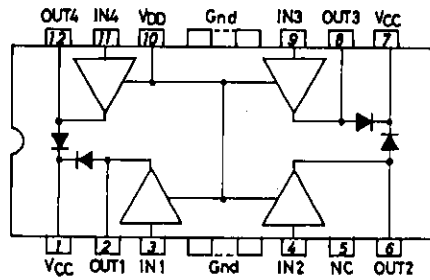
O1995YK/7097KI/6265KI/D203KI,TS No.1831-1/2

Equivalent Circuit



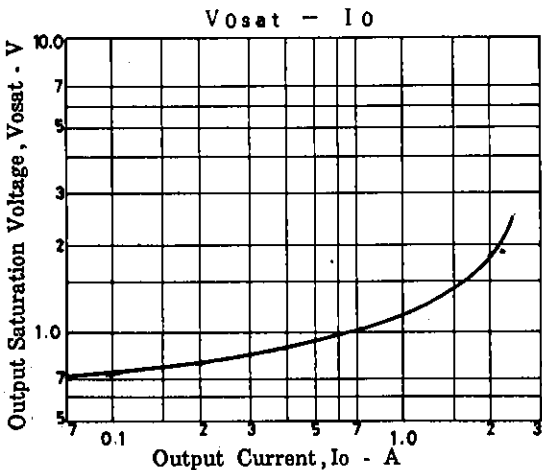
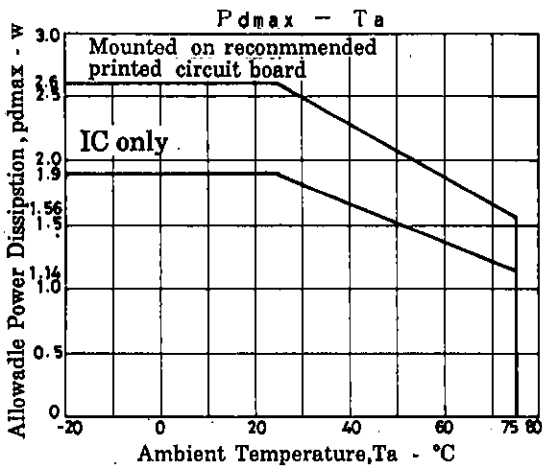
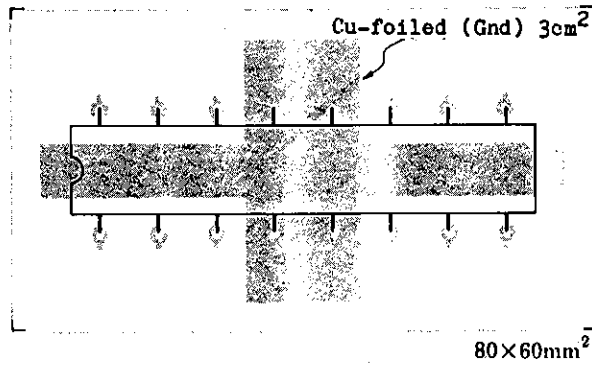
Unit (resistance : Ω)

Pin Assignment



(Note) V_{CC} (pins 1,9) is shorted internally.

Recommended Printed Circuit Pattern



- No products described or contained herein are intended for use in surgical implants, life-support systems, aerospace equipment, nuclear power control systems, vehicles, disaster/crime-prevention equipment and the like, the failure of which may directly or indirectly cause injury, death or property loss.
- Anyone purchasing any products described or contained herein for an above-mentioned use shall:
 - ① Accept full responsibility and indemnify and defend SANYO ELECTRIC CO., LTD., its affiliates, subsidiaries and distributors and all their officers and employees, jointly and severally, against any and all claims and litigation and all damages, cost and expenses associated with such use.
 - ② Not impose any responsibility for any fault or negligence which may be cited in any such claim or litigation on SANYO ELECTRIC CO., LTD., its affiliates, subsidiaries and distributors or any of their officers and employees jointly or severally.
- Information (including circuit diagrams and circuit parameters) herein is for example only; it is not guaranteed for volume production. SANYO believes information herein is accurate and reliable, but no guarantees are made or implied regarding its use or any infringements of intellectual property rights or other rights of third parties.