


**SANYO Semiconductors**

# DATA SHEET

An ON Semiconductor Company


**LC75829PE,  
LC75829PW**

CMOS IC

**1/4 and 1/3-Duty General-Purpose  
LCD Display Driver**

## Overview

The LC75829PE and LC75829PW are 1/4 duty and 1/3 duty general-purpose microprocessor-controlled LCD drivers that can be used in applications such as frequency display in products with electronic tuning.

In addition to being able to drive up to 208 segments directly, the LC75829PE and LC75829PW can also control up to 4 general-purpose output ports. Incorporation of an oscillation circuit helps to reduce the number of external resistors and capacitors required.

## Features

- Support for 1/4-duty 1/3-bias or 1/3-duty 1/3-bias drive techniques under serial data control.
  - When 1/4-duty: Capable of driving up to 208 segments
  - When 1/3-duty: Capable of driving up to 159 segments
- Serial data input supports CCB format communication with the system controller. (Support 3.3V and 5V operation)
- Serial data control of the power-saving mode based backup function and the all segments forced off function.
- Serial data control of switching between the segment output port and general-purpose output port function. (Support for up to 4 general-purpose output ports)
- Support for clock output function of 1ch.
- Serial data control of the frame frequency of the common and segment output waveforms.
- Serial data control of switching between the internal oscillator operating mode and external clock operating mode.
- High generality, since display data is displayed directly without the intervention of a decoder circuit.
- The INH pin allows the display to be forced to the off state.
- Incorporation of an oscillator circuit. (Incorporation of resistor and capacitor for an oscillation)

- CCB is a registered trademark of SANYO Semiconductor Co., Ltd.
- CCB is SANYO Semiconductor's original bus format. All bus addresses are managed by SANYO Semiconductor for this format.

■ Any and all SANYO Semiconductor Co.,Ltd. products described or contained herein are, with regard to "standard application", intended for the use as general electronics equipment (home appliances, AV equipment, communication device, office equipment, industrial equipment etc.). The products mentioned herein shall not be intended for use for any "special application" (medical equipment whose purpose is to sustain life, aerospace instrument, nuclear control device, burning appliances, transportation machine, traffic signal system, safety equipment etc.) that shall require extremely high level of reliability and can directly threaten human lives in case of failure or malfunction of the product or may cause harm to human bodies, nor shall they grant any guarantee thereof. If you should intend to use our products for applications outside the standard applications of our customer who is considering such use and/or outside the scope of our intended standard applications, please consult with us prior to the intended use. If there is no consultation or inquiry before the intended use, our customer shall be solely responsible for the use.

■ Specifications of any and all SANYO Semiconductor Co.,Ltd. products described or contained herein stipulate the performance, characteristics, and functions of the described products in the independent state, and are not guarantees of the performance, characteristics, and functions of the described products as mounted in the customer's products or equipment. To verify symptoms and states that cannot be evaluated in an independent device, the customer should always evaluate and test devices mounted in the customer's products or equipment.

**SANYO Semiconductor Co., Ltd.**
<http://semicon.sanyo.com/en/network>

# LC75829PE, 75829PW

## Specifications

**Absolute Maximum Ratings** at  $T_a = 25^\circ\text{C}$ ,  $V_{SS} = 0\text{V}$

Parameter	Symbol	Conditions	Ratings	Unit
Maximum supply voltage	$V_{DD \text{ max}}$	$V_{DD}$	-0.3 to +6.5	V
Input voltage	$V_{IN1}$	CE, CL, DI, $\overline{\text{INH}}$	-0.3 to +6.5	V
	$V_{IN2}$	OSCI, $V_{DD1}$ , $V_{DD2}$	-0.3 to $V_{DD}+0.3$	
Output voltage	$V_{OUT}$	S1 to S53, COM1 to COM4, P1 to P4	-0.3 to $V_{DD}+0.3$	V
Output current	$I_{OUT1}$	S1 to S52	300	$\mu\text{A}$
	$I_{OUT2}$	COM1 to COM4, S53	3	mA
	$I_{OUT3}$	P1 to P4	5	
Allowable power dissipation	$P_d \text{ max}$	$T_a=85^\circ\text{C}$	200	mW
Operating temperature	$T_{opr}$		-40 to +85	$^\circ\text{C}$
Storage temperature	$T_{stg}$		-55 to +125	$^\circ\text{C}$

**Allowable Operating Ranges** at  $T_a = -40$  to  $+85^\circ\text{C}$ ,  $V_{SS} = 0\text{V}$

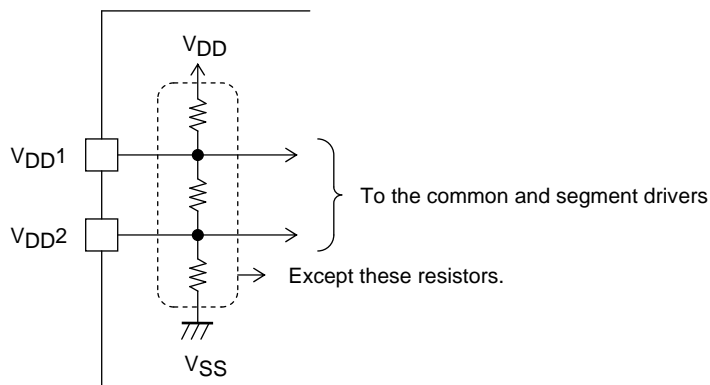
Parameter	Symbol	Conditions	Ratings			Unit
			min	typ	max	
Supply voltage	$V_{DD}$	$V_{DD}$	4.5		6.0	V
Input voltage	$V_{DD1}$	$V_{DD1}$		$2/3V_{DD}$	$V_{DD}$	V
	$V_{DD2}$	$V_{DD2}$		$1/3V_{DD}$	$V_{DD}$	
Input high-level voltage	$V_{IH1}$	CE, CL, DI, $\overline{\text{INH}}$	$0.4V_{DD}$		6.0	V
	$V_{IH2}$	OSCI: External clock operating mode	$0.4V_{DD}$		$V_{DD}$	
Input low-level voltage	$V_{IL1}$	CE, CL, DI, $\overline{\text{INH}}$	0		$0.2V_{DD}$	V
	$V_{IL2}$	OSCI: External clock operating mode	0		$0.2V_{DD}$	
External clock operating frequency	$f_{CK}$	OSCI: External clock operating mode [Figure 4]	10	300	600	kHz
External clock duty cycle	$D_{CK}$	OSCI: External clock operating mode [Figure 4]	30	50	70	%
Data setup time	$t_{ds}$	CL, DI [Figure 2][Figure 3]	160			ns
Data hold time	$t_{dh}$	CL, DI [Figure 2][Figure 3]	160			ns
CE wait time	$t_{cp}$	CE, CL [Figure 2][Figure 3]	160			ns
CE setup time	$t_{cs}$	CE, CL [Figure 2][Figure 3]	160			ns
CE hold time	$t_{ch}$	CE, CL [Figure 2][Figure 3]	160			ns
High-level clock pulse width	$t_{\phi H}$	CL [Figure 2][Figure 3]	160			ns
Low-level clock pulse width	$t_{\phi L}$	CL [Figure 2][Figure 3]	160			ns
Rise time	$t_r$	CE, CL, DI [Figure 2][Figure 3]		160		ns
Fall time	$t_f$	CE, CL, DI [Figure 2][Figure 3]		160		ns
$\overline{\text{INH}}$ switching time	$t_c$	$\overline{\text{INH}}$ , CE [Figure 5][Figure 6]	10			$\mu\text{s}$

# LC75829PE, 75829PW

## Electrical Characteristics for the Allowable Operating Ranges

Parameter	Symbol	Pin	Conditions	Ratings			Unit
				min	typ	max	
Hysteresis	$V_H$	CE, CL, DI, $\overline{INH}$			$0.03V_{DD}$		V
Input high-level current	$I_{IH1}$	CE, CL, DI, $\overline{INH}$	$V_I = 6.0V$			5.0	$\mu A$
	$I_{IH2}$	OSCI	$V_I = V_{DD}$ : External clock operating mode			5.0	
Input low-level current	$I_{IL1}$	CE, CL, DI, $\overline{INH}$	$V_I = 0V$	-5.0			$\mu A$
	$I_{IL2}$	OSCI	$V_I = 0V$ : External clock operating mode	-5.0			
Output high-level voltage	$V_{OH1}$	S1 to S53	$I_O = -20\mu A$	$V_{DD}-0.9$			V
	$V_{OH2}$	COM1 to COM4	$I_O = -100\mu A$	$V_{DD}-0.9$			
	$V_{OH3}$	P1 to P4	$I_O = -1mA$	$V_{DD}-0.9$			
Output low-level voltage	$V_{OL1}$	S1 to S53	$I_O = 20\mu A$			0.9	V
	$V_{OL2}$	COM1 to COM4	$I_O = 100\mu A$			0.9	
	$V_{OL3}$	P1 to P4	$I_O = 1mA$			0.9	
Output middle-level voltage *1	$V_{MID1}$	S1 to S53	1/3 bias $I_O = \pm 20\mu A$	$2/3V_{DD}-0.9$		$2/3V_{DD}+0.9$	V
	$V_{MID2}$	S1 to S53	1/3 bias $I_O = \pm 20\mu A$	$1/3V_{DD}-0.9$		$1/3V_{DD}+0.9$	
	$V_{MID3}$	COM1 to COM4	1/3 bias $I_O = \pm 100\mu A$	$2/3V_{DD}-0.9$		$2/3V_{DD}+0.9$	
	$V_{MID4}$	COM1 to COM4	1/3 bias $I_O = \pm 100\mu A$	$1/3V_{DD}-0.9$		$1/3V_{DD}+0.9$	
Oscillator frequency	fosc	Internal oscillator circuit	Internal oscillator operating mode	240	300	360	kHz
Current drain	$I_{DD1}$	$V_{DD}$	Power-saving mode			100	$\mu A$
	$I_{DD2}$	$V_{DD}$	$V_{DD} = 6.0V$ Output open Internal oscillator operating mode		800	1600	
	$I_{DD3}$	$V_{DD}$	$V_{DD} = 6.0V$ Output open External clock operating mode $f_{CK} = 300kHz$ $V_{IH2} = 0.5V_{DD}$ $V_{IL2} = 0.1V_{DD}$		800	1600	

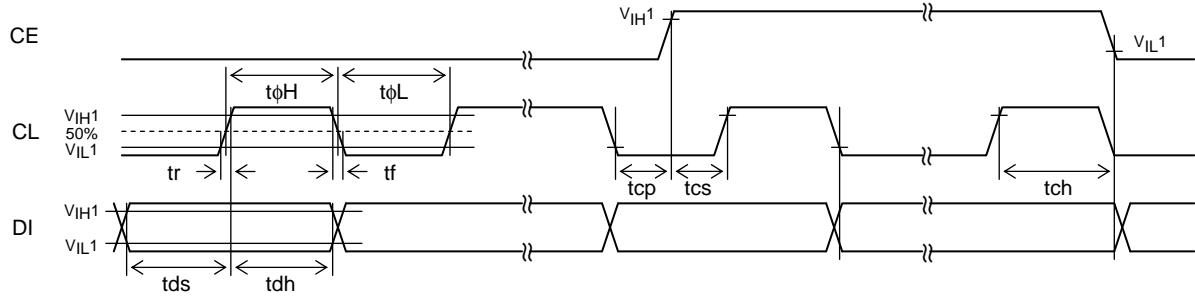
Note: \*1 Excluding the bias voltage generation divider resistors built in the  $V_{DD1}$  and  $V_{DD2}$ . (See Figure 1.)



[Figure 1]

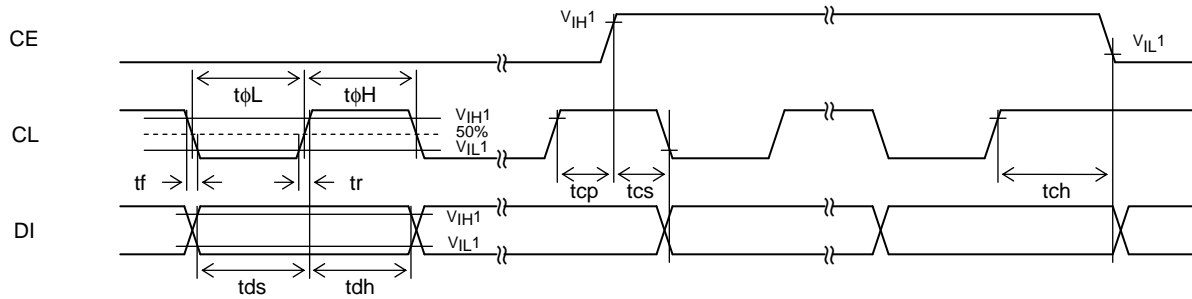
# LC75829PE, 75829PW

1. When CL is stopped at the low level



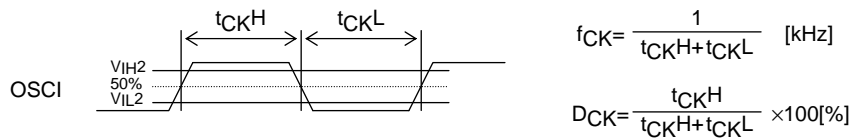
[Figure 2]

2. When CL is stopped at the high level



[Figure 3]

3. OSCI pin clock timing in external clock operating mode



[Figure 4]

$$f_{CK} = \frac{1}{t_{CKH} + t_{CKL}} \text{ [kHz]}$$

$$D_{CK} = \frac{t_{CKH}}{t_{CKH} + t_{CKL}} \times 100[\%]$$

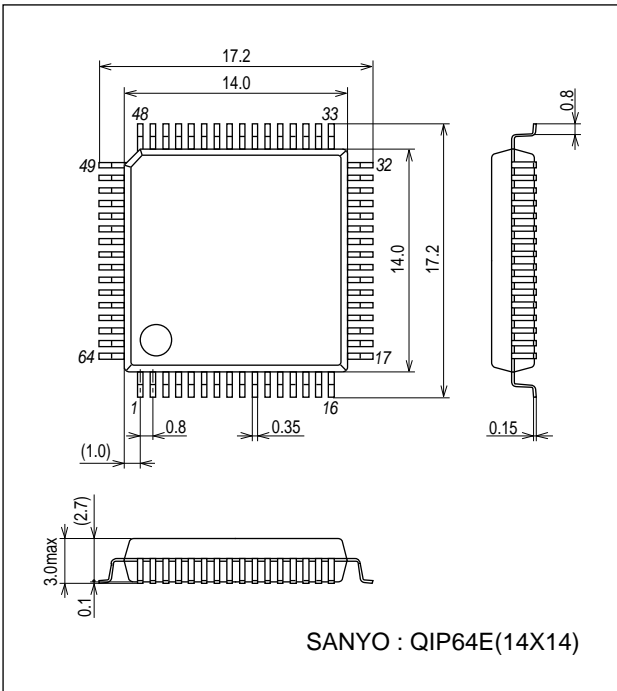
# LC75829PE, 75829PW

## Package Dimensions

unit : mm (typ)

3159A

[LC75829PE]

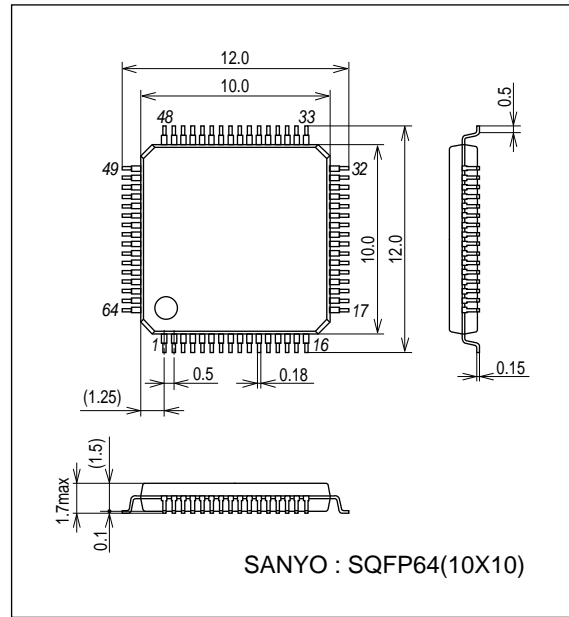


## Package Dimensions

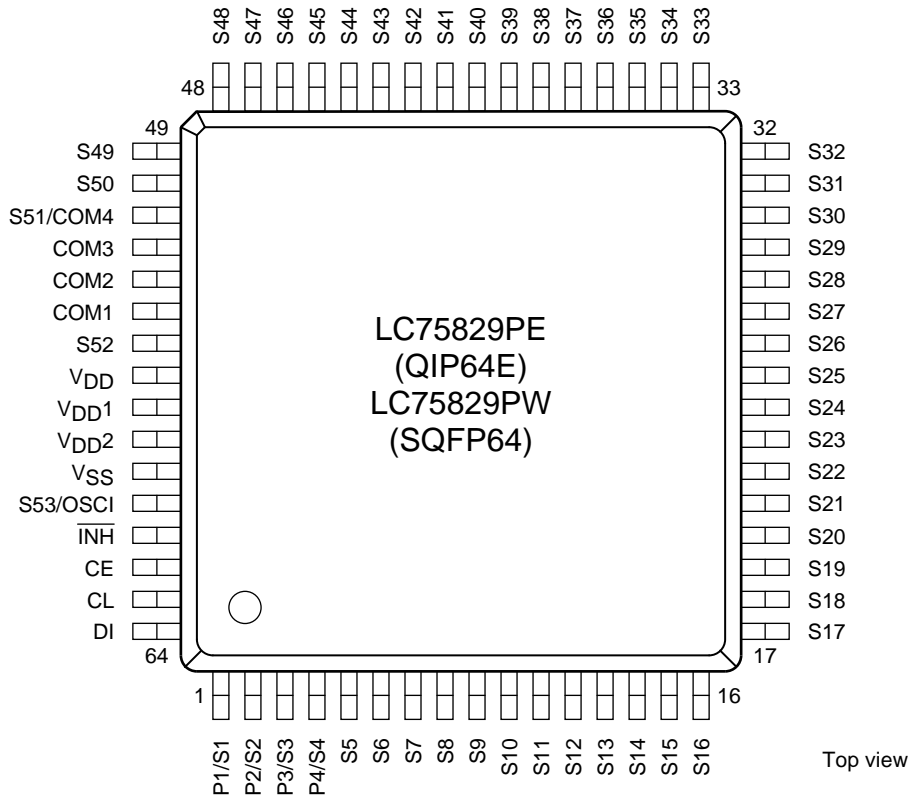
unit : mm (typ)

3190A

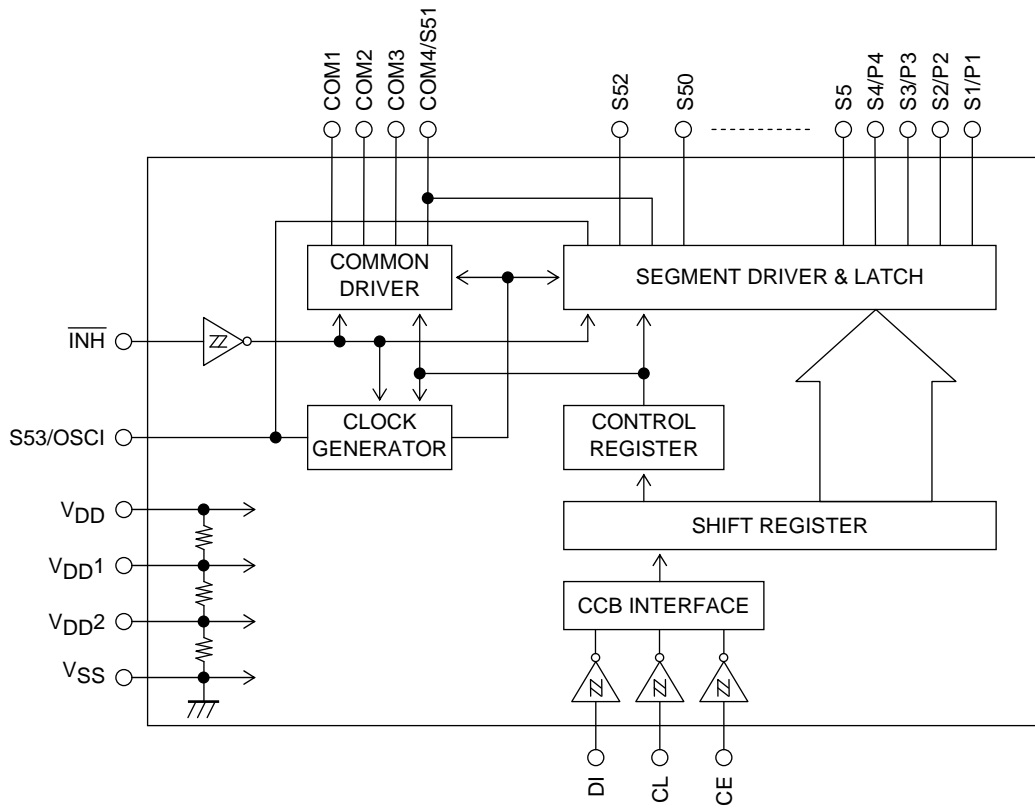
[LC75829PW]



## Pin Assignment




Block Diagram



## LC75829PE, 75829PW

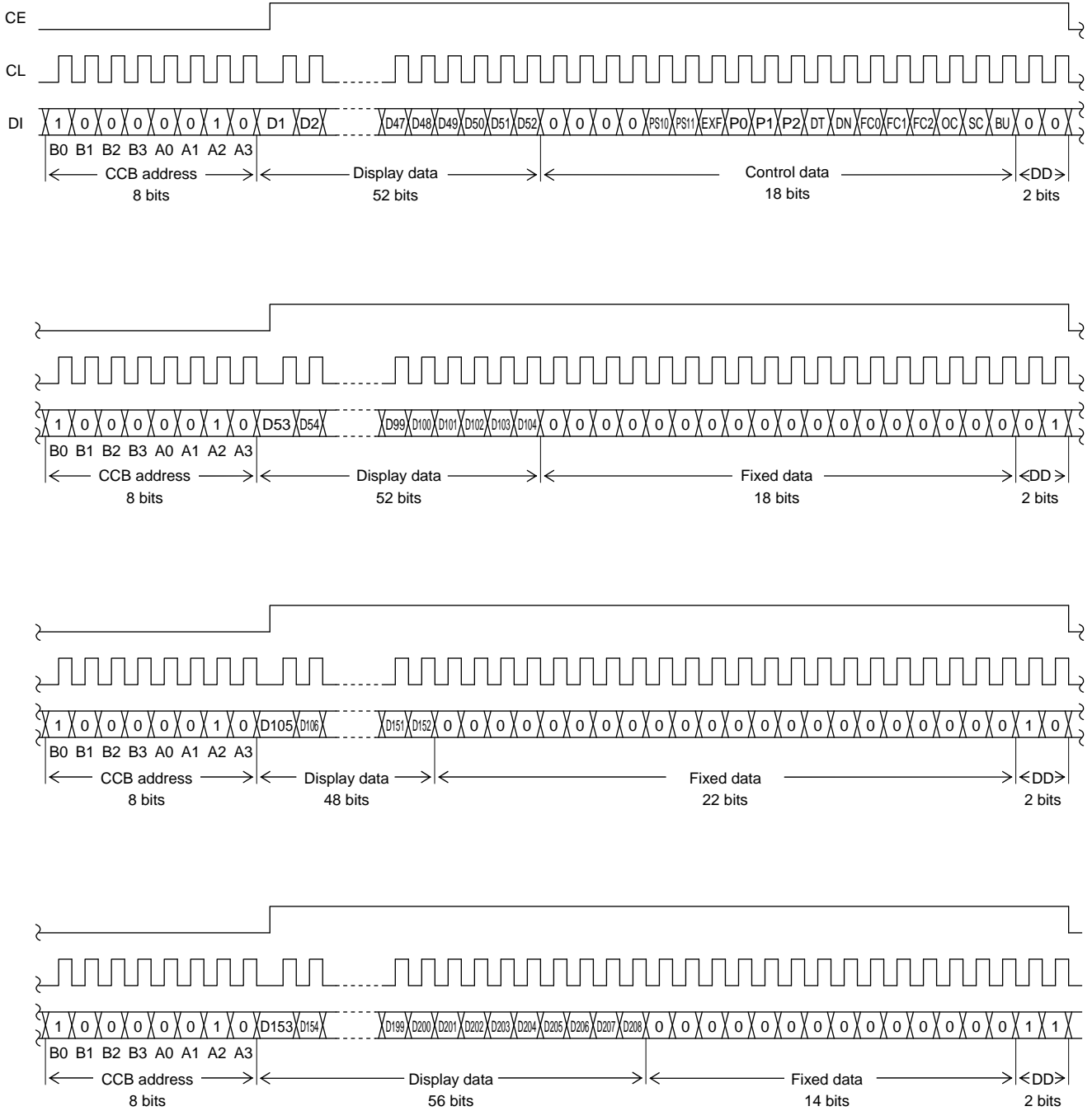
### Pin Functions

Symbol	Pin No.	Function	Active	I/O	Handling when unused
S1/P1 to S4/P4 S5 to S50 S52	1 to 4 5 to 50 55	Segment outputs for displaying the display data transferred by serial data input. The S1/P1 to S4/P4 pins can be used as general-purpose output ports under serial data control.	-	O	OPEN
COM1 to COM3 COM4/S51	54 to 52 51	Common driver outputs The frame frequency is fo[Hz]. The COM4/S51 pin can be used as a segment output in 1/3 duty.	-	O	OPEN
S53/OSCI	60	Segment output. This pin can also be used as the external clock input pin when the external clock operating mode is selected by control data.	-	I/O	OPEN
CE CL DI	62 63 64	Serial data transfer inputs. Must be connected to the controller. CE: Chip enable CL: Synchronization clock DI: Transfer data	H  -	I I I	GND
$\overline{\text{INH}}$	61	Display off control input <ul style="list-style-type: none"> <li>• <math>\overline{\text{INH}} = \text{low} (V_{SS})</math> ...Display forced off <ul style="list-style-type: none"> <li>S1/P1 to S4/P4 = low (<math>V_{SS}</math>) (These pins are forcibly set to the general-purpose output port function and held at the <math>V_{SS}</math> level.)</li> <li>S9 to S50, S52=low (<math>V_{SS}</math>)</li> <li>COM1 to COM3=low (<math>V_{SS}</math>)</li> <li>COM4/S51=low (<math>V_{SS}</math>)</li> <li>S53/OSCI=low (<math>V_{SS}</math>) (This pin is forcibly set to the segment output port function and held at the <math>V_{SS}</math> level.)</li> </ul> </li> <li>Stops the internal oscillator.</li> <li>Inhibits external clock input.</li> <li>• <math>\overline{\text{INH}} = \text{high} (V_{DD})</math>...Display on <ul style="list-style-type: none"> <li>Enables the internal oscillator circuit. (Internal oscillator operating mode)</li> <li>Enables external clock input. (External clock operating mode)</li> </ul> </li> </ul> <p>However, serial data transfer is possible when the display is forced off.</p>	L	I	GND
$V_{DD1}$	57	Used to apply the LCD drive 2/3 bias voltage externally.	-	I	OPEN
$V_{DD2}$	58	Used to apply the LCD drive 1/3 bias voltage externally.	-	I	OPEN
$V_{DD}$	56	Power supply pin. A power voltage of 4.5 to 6.0V must be applied to this pin.	-	-	-
$V_{SS}$	59	Ground pin. Must be connected to ground.	-	-	-

Serial Data Input

1. 1/4 duty

(1) When CL is stopped at the low level

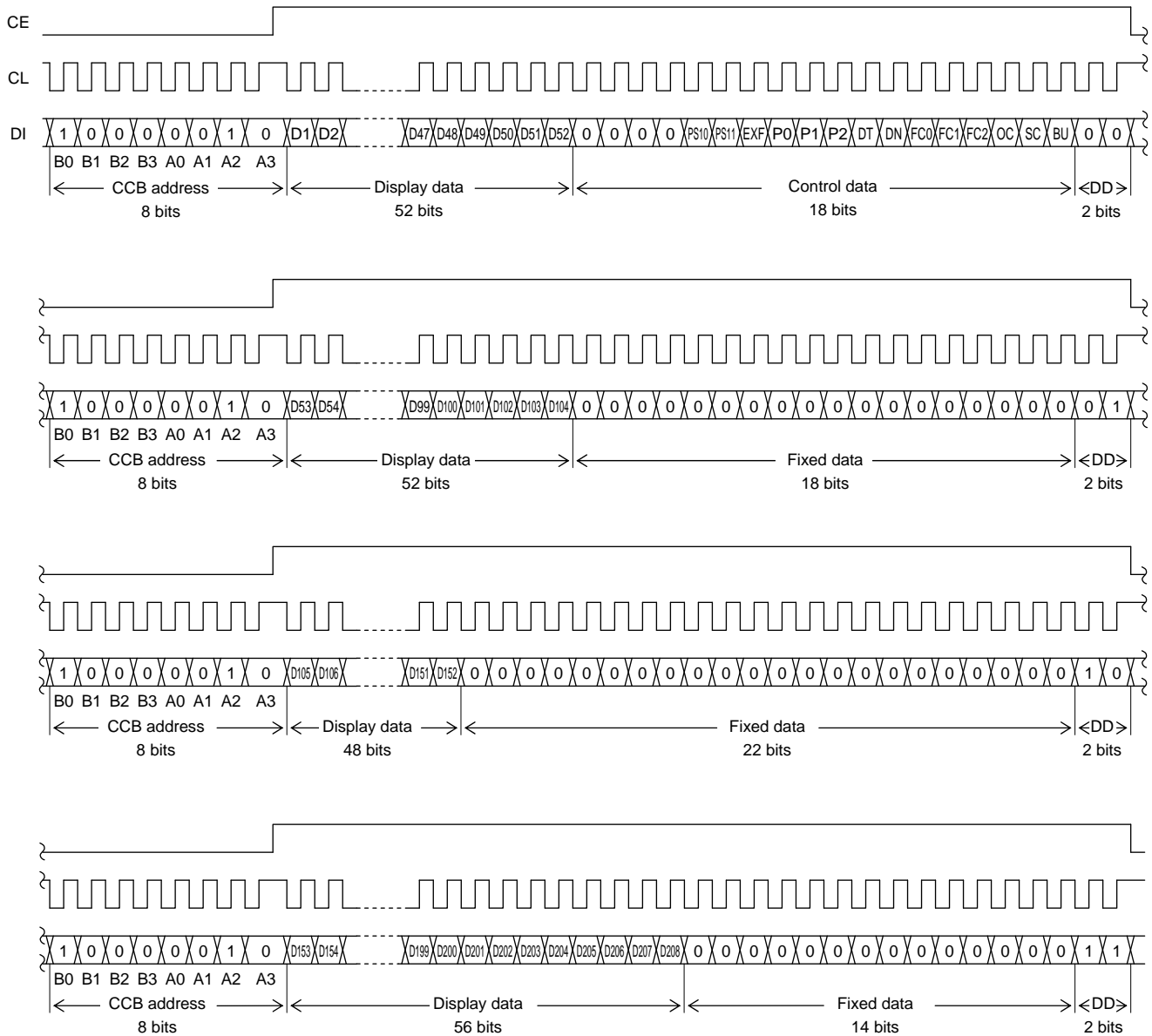


Note: DD is the direction data.



# LC75829PE, 75829PW

(2) When CL is stopped at the high level



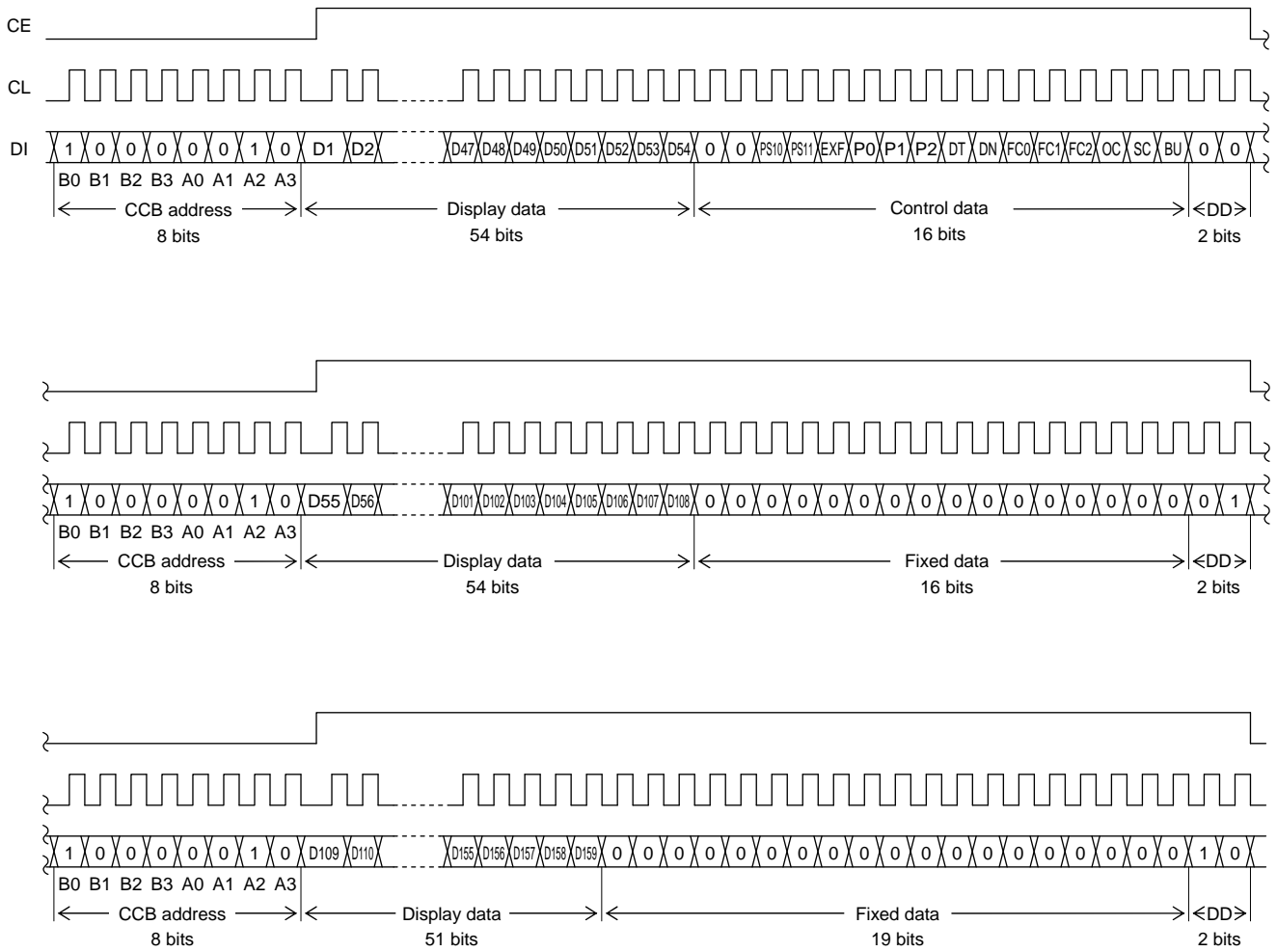
Note: DD is the direction data.

- CCB address ..... “41H”
- D1 to D208 ..... Display data
- PS10, PS11 ..... General-purpose output port (P1) function setting control data
- EXF ..... External clock operating frequency setting control data
- P0 to P2 ..... Segment output port/general-purpose output port switching control data
- DT ..... 1/4-duty 1/3-bias drive or 1/3-duty 1/3-bias drive switching control data
- DN ..... S52 pin and S53/OSCI pin state setting control data
- FC0 to FC2 ..... Common/segment output waveform frame frequency control data
- OC ..... Internal oscillator operating mode/external clock operating mode switching control data
- SC ..... Segment on/off control data
- BU ..... Normal mode/power-saving mode control data

# LC75829PE, 75829PW

## 2. 1/3 duty

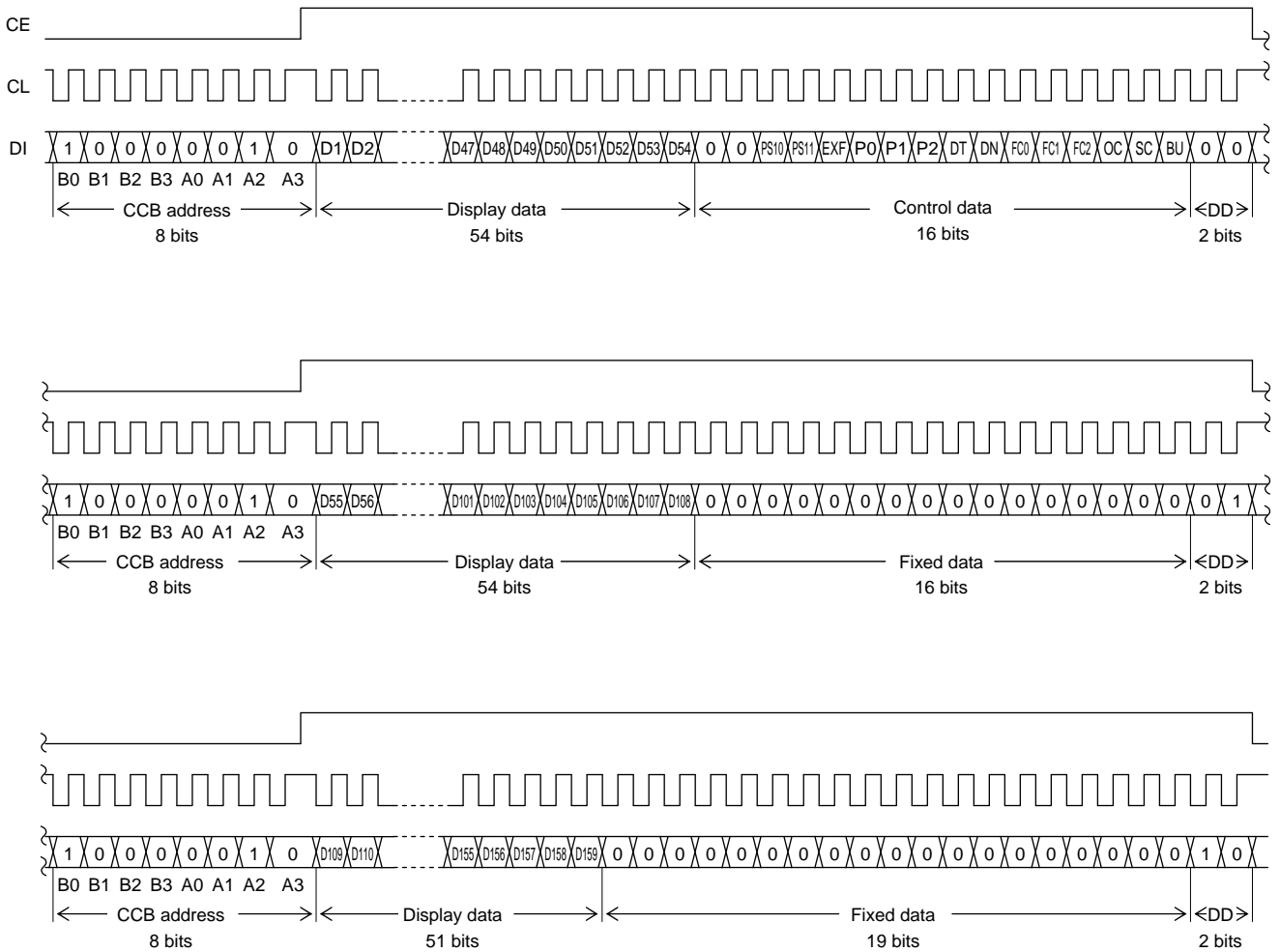
(1) When CL is stopped at the low level



Note: DD is the direction data.

# LC75829PE, 75829PW

(2) When CL is stopped at the high level



Note: DD is the direction data.

- CCB address ..... “41H”
- D1 to D159 ..... Display data
- PS10, PS11 ..... General-purpose output port (P1) function setting control data
- EXF ..... External clock operating frequency setting control data
- P0 to P2 ..... Segment output port/general-purpose output port switching control data
- DT ..... 1/4-duty 1/3-bias drive or 1/3-duty 1/3-bias drive switching control data
- DN ..... S52 pin and S53/OSCI pin state setting control data
- FC0 to FC2 ..... Common/segment output waveform frame frequency control data
- OC ..... Internal oscillator operating mode/external clock operating mode switching control data
- SC ..... Segment on/off control data
- BU ..... Normal mode/power-saving mode control data

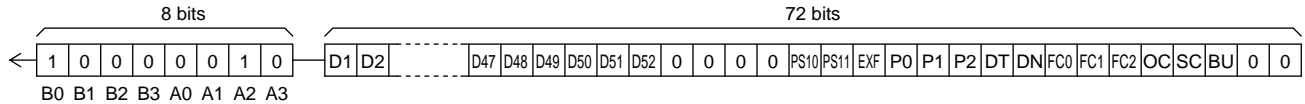
**Serial Data Transfer Example**

1. 1/4 duty

- When 153 or more segments are used  
All 288 bits of serial data must be sent.

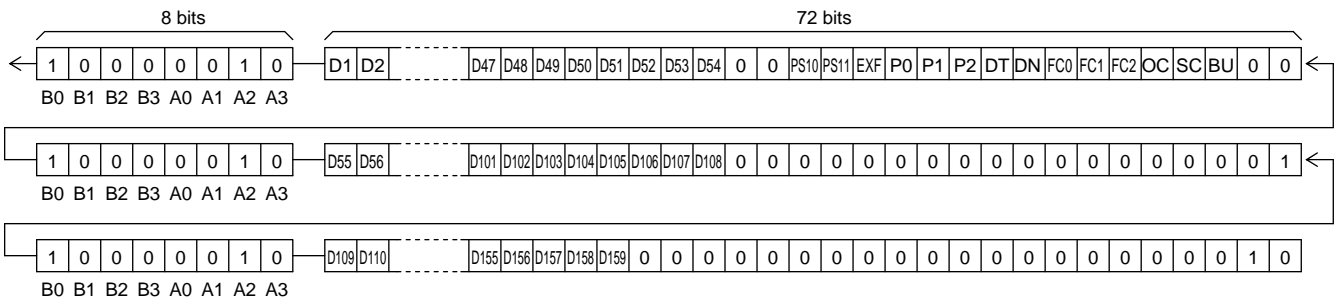


- When fewer than 153 segments are used  
Either 72, 144, or 216 bits of serial data must be sent, depending on the number of segments to be used.  
However, the serial data shown below (the D1 to D52 display data and the control data) must always be sent.

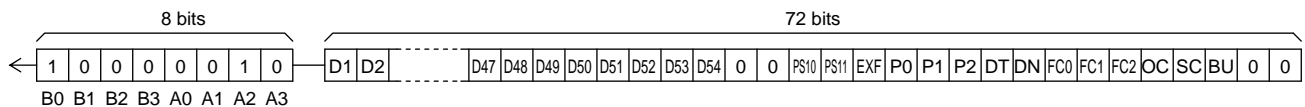


2. 1/3 duty

- When 109 or more segments are used  
All 216 bits of serial data must be sent.



- When fewer than 109 segments are used  
Either 72, or 144 bits of serial data must be sent, depending on the number of segments to be used.  
However, the serial data shown below (the D1 to D54 display data and the control data) must always be sent.



## Control Data Functions

(1) PS10 and PS11 ... General-purpose output port (P1) function setting control data

These control data bits set the clock output or general-purpose output function (High or low level output) of the P1 output pin.

PS10	PS11	General-purpose output port (P1) function
0	0	General-purpose output function (High or low level output)
1	0	Clock output function (Clock frequency : $f_{osc}/2$ , $f_{CK}/2$ )
0	1	Clock output function (Clock frequency : $f_{osc}/8$ , $f_{CK}/8$ )

Note: When is setting (PS10, PS11)=(1,1), the P1 output pin selects the general-purpose output function (High or low level output).

(2) EXF ... External clock operating frequency setting control data

This control data sets the operating frequency of the external clock which input into the OSCI pin, when the external clock operating mode (OC="1") is set. However, this data is effective only when external clock operating mode (OC="1") is set.

EXF	External clock operating frequency $f_{CK}$ [kHz]
0	$f_{CK1}=300$ [kHz]typ
1	$f_{CK2}=38$ [kHz]typ

(3) P0 to P2 ... Segment output port/general-purpose output port switching control data

These control data bits switch the segment output port/general-purpose output port functions of the S1/P1 to S4/P4 output pins.

Control data			Output pin state			
P0	P1	P2	S1/P1	S2/P2	S3/P3	S4/P4
0	0	0	S1	S2	S3	S4
0	0	1	P1	S2	S3	S4
0	1	0	P1	P2	S3	S4
0	1	1	P1	P2	P3	S4
1	0	0	P1	P2	P3	P4

Note: Sn (n=1 to 4): Segment output ports  
Pn (n=1 to 4): General-purpose output ports

Note: When are setting (P0,P1,P2)=(1,0,1), (1,1,0), and (1,1,1), the all P1/S1 to P4/S4 output pins selects the segment output port.

The table below lists the correspondence between the display data and the output pins when these pins are selected to be general-purpose output ports.

Output pin	Correspondence display data	
	1/4 duty	1/3 duty
S1/P1	D1	D1
S2/P2	D5	D4
S3/P3	D9	D7
S4/P4	D13	D10

For example, if the circuit is operated in 1/4 duty and the S4/P4 output pin is selected to be a general-purpose output port, the S4/P4 output pin will output a high level ( $V_{DD}$ ) when the display data D13 is 1, and will output a low level ( $V_{SS}$ ) when D13 is 0.

(4) DT ... 1/4-duty 1/3-bias drive or 1/3-duty 1/3-bias drive switching control data

This control data bit selects either 1/4-duty 1/3-bias drive or 1/3-duty 1/3-bias drive.

DT	Drive scheme	The COM4/S51 pin state
0	1/4-duty 1/3-bias drive	COM4
1	1/3-duty 1/3-bias drive	S51

Note: COM4: Common output  
S51 : Segment output

## LC75829PE, 75829PW

### (5) DN ... S52 pin and S53/OSCI pin state setting control data

This control data bit sets state of the S52 pin and the S53/OSCI pin.

DN	Number of display segments		Pin state	
	1/4 duty	1/3 duty	S52	S53/OSCI
0	Up to 200 segments	Up to 153 segments	"L" (V <sub>SS</sub> )	"L" (V <sub>SS</sub> )/OSCI
1	Up to 208 segments	Up to 159 segments	S52	S53/OSCI

Note: "L" (V<sub>SS</sub>) : Low (V<sub>SS</sub>) level output  
 S52 : Segment output  
 "L" (V<sub>SS</sub>)/OSCI : Low (V<sub>SS</sub>) level output in internal oscillator operating mode (OC=0)  
 : External clock input in external clock operating mode (OC=1)  
 S53/OSCI : Segment output in internal oscillator operating mode (OC=0)  
 External clock input in external clock operating mode (OC=1)

### (6) FC0 to FC2 ... Common/segment output waveform frame frequency control data

These control data bits set the frame frequency of the common and segment output waveforms.

Control data			Frame frequency fo[Hz]		
FC0	FC1	FC2	Internal oscillator operating mode	External clock operating mode	External clock operating mode
			(The control data OC is 0, fosc=300[kHz]typ)	(The control data OC is 1 and EXF is 0, f <sub>CK1</sub> =300[kHz]typ)	(The control data OC is 1 and EXF is 1, f <sub>CK2</sub> =38[kHz]typ)
0	0	0	fosc/6144	f <sub>CK1</sub> /6144	f <sub>CK2</sub> /768
0	0	1	fosc/4608	f <sub>CK1</sub> /4608	f <sub>CK2</sub> /576
0	1	0	fosc/3072	f <sub>CK1</sub> /3072	f <sub>CK2</sub> /384
0	1	1	fosc/2304	f <sub>CK1</sub> /2304	f <sub>CK2</sub> /288
1	0	0	fosc/1536	f <sub>CK1</sub> /1536	f <sub>CK2</sub> /192
1	0	1	fosc/1152	f <sub>CK1</sub> /1152	f <sub>CK2</sub> /144
1	1	0	fosc/768	f <sub>CK1</sub> /768	f <sub>CK2</sub> /96

Note: When is setting (FC0,FC1,FC2)=(1,1,1), the frame frequency is same as frame frequency at the time of the (FC0,FC1,FC2)=(0,1,0) setting (fosc/3072, f<sub>CK1</sub>/3072, f<sub>CK2</sub>/384).

### (7) OC ... Internal oscillator operating mode/external clock operating mode switching control data

This control data bit selects either the internal oscillator operating mode or external clock operating mode.

OC	Fundamental clock operating mode	I/O pin (S53/OSCI) state
0	Internal oscillator operating mode	S53
1	External clock operating mode	OSCI

Note: S53: Segment output  
 OSCI: External clock input

### (8) SC ... Segment on/off control data

This control data bit controls the on/off state of the segments.

SC	Display state
0	On
1	Off

Note that when the segments are turned off by setting SC to 1, the segments are turned off by outputting segment off waveforms from the segment output pins.

### (9) BU ... Normal mode/power-saving mode control data

This control data bit selects either normal mode or power-saving mode.

BU	Mode
0	Normal mode
1	Power saving mode In this mode, the internal oscillator circuit stops oscillation (the S53/OSCI pin is configured for segment output) if the IC is in the internal oscillator operating mode (OC=0) and the IC stops receiving external clock signals (the S53/OSCI pin is configured for external clock input) if the IC is in the external clock operating mode (OC=1). The common and segment output pins go to the V <sub>SS</sub> level. However, the S1/P1 to S4/P4 output pins can be used as general-purpose output ports under the control of the data bits P0 to P2. (The general-purpose output port P1 can not be used as clock output).

## LC75829PE, 75829PW

### Display Data and Output Pin Correspondence (1/4 Duty)

Output pin	COM1	COM2	COM3	COM4	Output pin	COM1	COM2	COM3	COM4
S1/P1	D1	D2	D3	D4	S27	D105	D106	D107	D108
S2/P2	D5	D6	D7	D8	S28	D109	D110	D111	D112
S3/P3	D9	D10	D11	D12	S29	D113	D114	D115	D116
S4/P4	D13	D14	D15	D16	S30	D117	D118	D119	D120
S5	D17	D18	D19	D20	S31	D121	D122	D123	D124
S6	D21	D22	D23	D24	S32	D125	D126	D127	D128
S7	D25	D26	D27	D28	S33	D129	D130	D131	D132
S8	D29	D30	D31	D32	S34	D133	D134	D135	D136
S9	D33	D34	D35	D36	S35	D137	D138	D139	D140
S10	D37	D38	D39	D40	S36	D141	D142	D143	D144
S11	D41	D42	D43	D44	S37	D145	D146	D147	D148
S12	D45	D46	D47	D48	S38	D149	D150	D151	D152
S13	D49	D50	D51	D52	S39	D153	D154	D155	D156
S14	D53	D54	D55	D56	S40	D157	D158	D159	D160
S15	D57	D58	D59	D60	S41	D161	D162	D163	D164
S16	D61	D62	D63	D64	S42	D165	D166	D167	D168
S17	D65	D66	D67	D68	S43	D169	D170	D171	D172
S18	D69	D70	D71	D72	S44	D173	D174	D175	D176
S19	D73	D74	D75	D76	S45	D177	D178	D179	D180
S20	D77	D78	D79	D80	S46	D181	D182	D183	D184
S21	D81	D82	D83	D84	S47	D185	D186	D187	D188
S22	D85	D86	D87	D88	S48	D189	D190	D191	D192
S23	D89	D90	D91	D92	S49	D193	D194	D195	D196
S24	D93	D94	D95	D96	S50	D197	D198	D199	D200
S25	D97	D98	D99	D100	S52	D201	D202	D203	D204
S26	D101	D102	D103	D104	S53/OSCI	D205	D206	D207	D208

Note: This table assumes that pins S1/P1 to S4/P4 and S53/OSCI are configured for segment output.

For example, the table below lists the output states for the S21 output pin.

Display data				Output pin (S21) state
D81	D82	D83	D84	
0	0	0	0	The LCD segments corresponding to COM1, COM2, COM3, and COM4 are off.
0	0	0	1	The LCD segment corresponding to COM4 is on.
0	0	1	0	The LCD segment corresponding to COM3 is on.
0	0	1	1	The LCD segments corresponding to COM3 and COM4 are on.
0	1	0	0	The LCD segment corresponding to COM2 is on.
0	1	0	1	The LCD segments corresponding to COM2 and COM4 are on.
0	1	1	0	The LCD segments corresponding to COM2 and COM3 are on.
0	1	1	1	The LCD segments corresponding to COM2, COM3, and COM4 are on.
1	0	0	0	The LCD segment corresponding to COM1 is on.
1	0	0	1	The LCD segments corresponding to COM1 and COM4 are on.
1	0	1	0	The LCD segments corresponding to COM1 and COM3 are on.
1	0	1	1	The LCD segments corresponding to COM1, COM3, and COM4 are on.
1	1	0	0	The LCD segments corresponding to COM1 and COM2 are on.
1	1	0	1	The LCD segments corresponding to COM1, COM2, and COM4 are on.
1	1	1	0	The LCD segments corresponding to COM1, COM2, and COM3 are on.
1	1	1	1	The LCD segments corresponding to COM1, COM2, COM3, and COM4 are on.

## LC75829PE, 75829PW

### Display Data and Output Pin Correspondence (1/3 Duty)

Output pin	COM1	COM2	COM3	Output pin	COM1	COM2	COM3
S1/P1	D1	D2	D3	S28	D82	D83	D84
S2/P2	D4	D5	D6	S29	D85	D86	D87
S3/P3	D7	D8	D9	S30	D88	D89	D90
S4/P4	D10	D11	D12	S31	D91	D92	D93
S5	D13	D14	D15	S32	D94	D95	D96
S6	D16	D17	D18	S33	D97	D98	D99
S7	D19	D20	D21	S34	D100	D101	D102
S8	D22	D23	D24	S35	D103	D104	D105
S9	D25	D26	D27	S36	D106	D107	D108
S10	D28	D29	D30	S37	D109	D110	D111
S11	D31	D32	D33	S38	D112	D113	D114
S12	D34	D35	D36	S39	D115	D116	D117
S13	D37	D38	D39	S40	D118	D119	D120
S14	D40	D41	D42	S41	D121	D122	D123
S15	D43	D44	D45	S42	D124	D125	D126
S16	D46	D47	D48	S43	D127	D128	D129
S17	D49	D50	D51	S44	D130	D131	D132
S18	D52	D53	D54	S45	D133	D134	D135
S19	D55	D56	D57	S46	D136	D137	D138
S20	D58	D59	D60	S47	D139	D140	D141
S21	D61	D62	D63	S48	D142	D143	D144
S22	D64	D65	D66	S49	D145	D146	D147
S23	D67	D68	D69	S50	D148	D149	D150
S24	D70	D71	D72	S51/COM4	D151	D152	D153
S25	D73	D74	D75	S52	D154	D155	D156
S26	D76	D77	D78	S53/OSCI	D157	D158	D159
S27	D79	D80	D81				

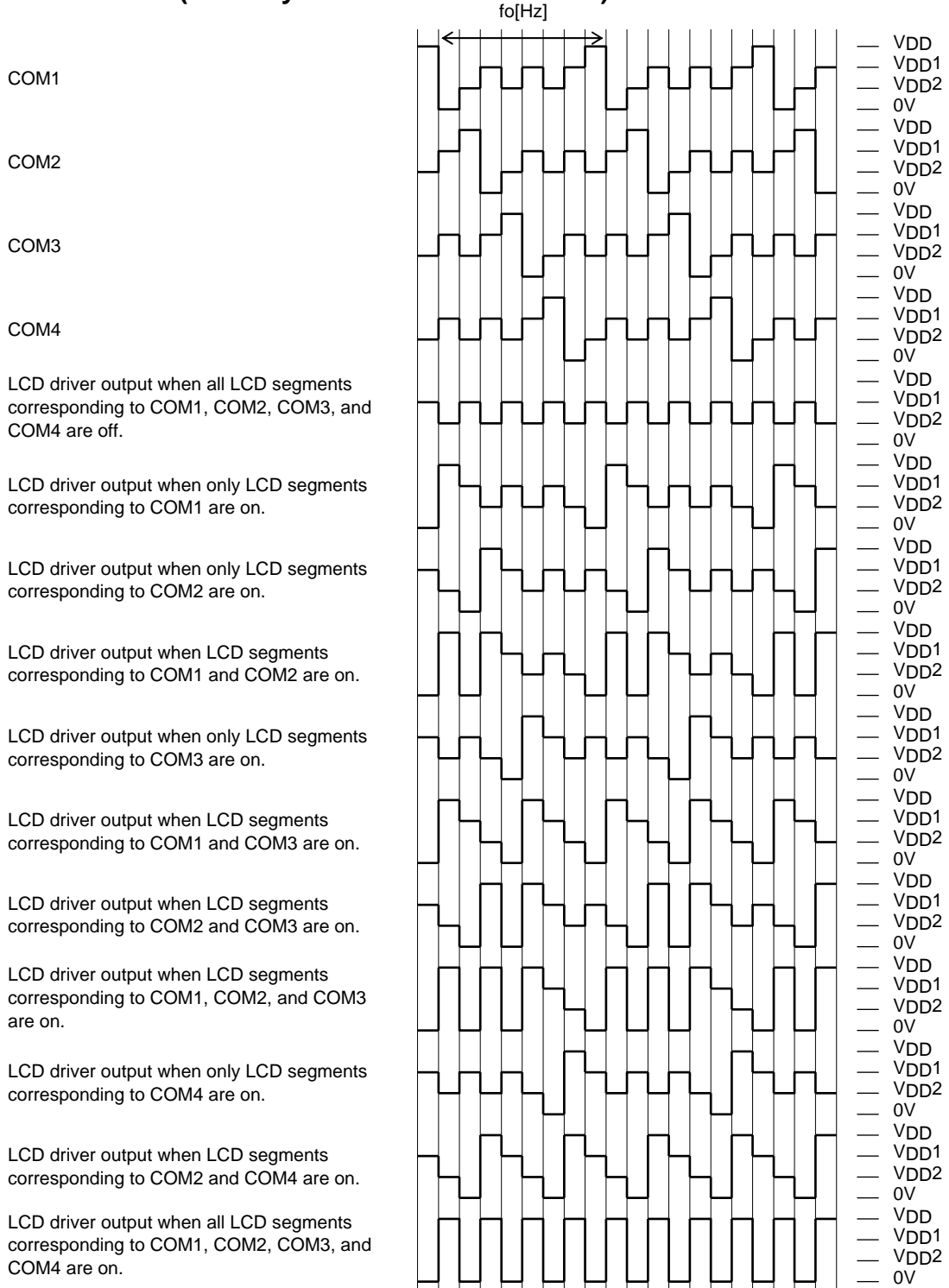
Note: This table assumes that pins S1/P1 to S4/P4, S51/COM4, and S53/OSCI are configured for segment output.

For example, the table below lists the output states for the S21 output pin.

Display data			Output pin (S21) state
D61	D62	D63	
0	0	0	The LCD segments corresponding to COM1, COM2, and COM3 are off.
0	0	1	The LCD segment corresponding to COM3 is on.
0	1	0	The LCD segment corresponding to COM2 is on.
0	1	1	The LCD segments corresponding to COM2 and COM3 are on.
1	0	0	The LCD segment corresponding to COM1 is on.
1	0	1	The LCD segments corresponding to COM1 and COM3 are on.
1	1	0	The LCD segments corresponding to COM1 and COM2 are on.
1	1	1	The LCD segments corresponding to COM1, COM2, and COM3 are on.



Output Waveforms (1/4-Duty 1/3-Bias Drive Scheme)

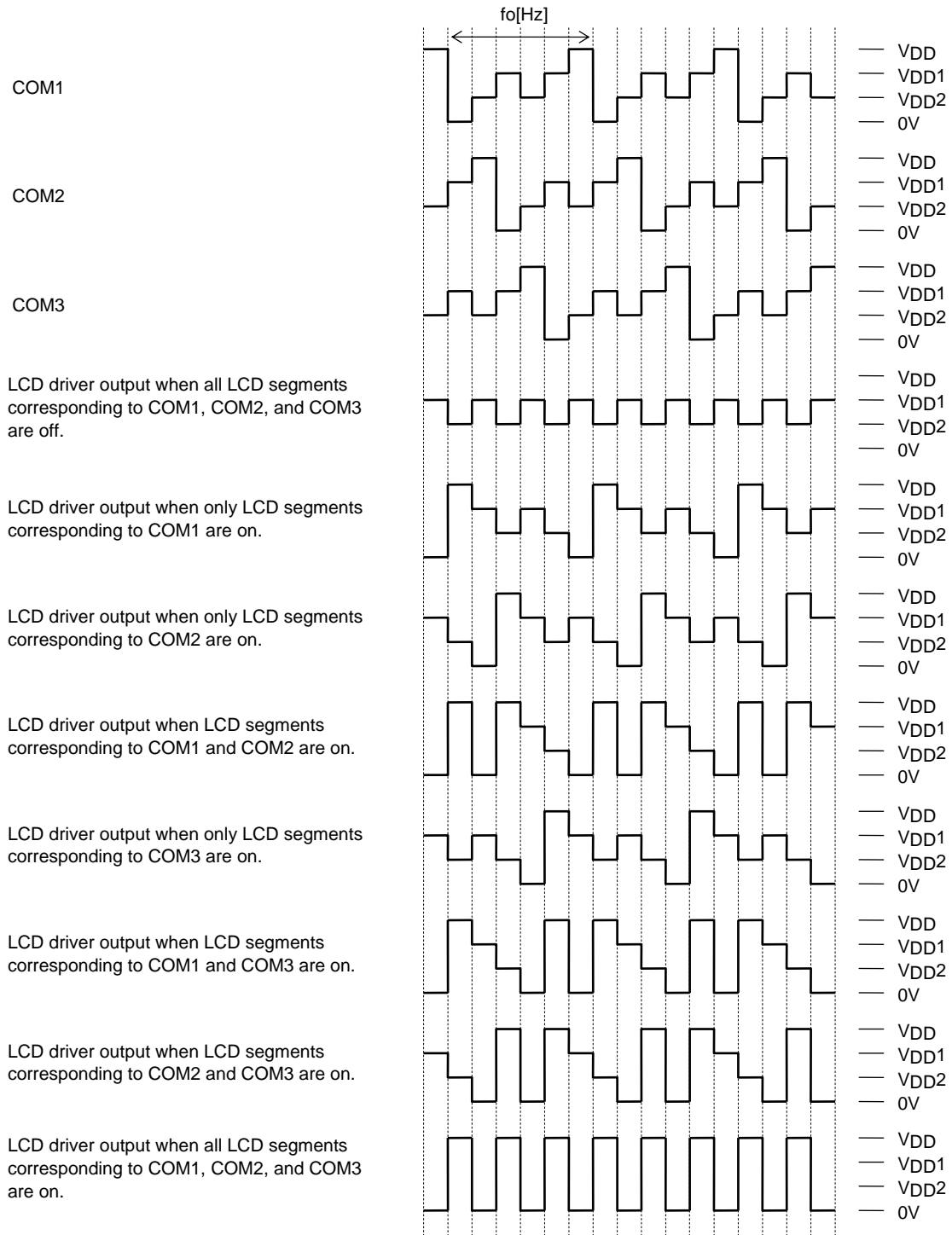


Control data			Frame frequency $f_o$ [Hz]		
FC0	FC1	FC2	Internal oscillator operating mode (The control data OC is 0, $f_{osc}=300$ [kHz]typ)	External clock operating mode (The control data OC is 1 and EXF is 0, $f_{CK1}=300$ [kHz]typ)	External clock operating mode (The control data OC is 1 and EXF is 1, $f_{CK2}=38$ [kHz]typ)
0	0	0	$f_{osc}/6144$	$f_{CK1}/6144$	$f_{CK2}/768$
0	0	1	$f_{osc}/4608$	$f_{CK1}/4608$	$f_{CK2}/576$
0	1	0	$f_{osc}/3072$	$f_{CK1}/3072$	$f_{CK2}/384$
0	1	1	$f_{osc}/2304$	$f_{CK1}/2304$	$f_{CK2}/288$
1	0	0	$f_{osc}/1536$	$f_{CK1}/1536$	$f_{CK2}/192$
1	0	1	$f_{osc}/1152$	$f_{CK1}/1152$	$f_{CK2}/144$
1	1	0	$f_{osc}/768$	$f_{CK1}/768$	$f_{CK2}/96$

Note: When is setting (FC0,FC1,FC2)=(1,1,1), the frame frequency is same as frame frequency at the time of the (FC0,FC1,FC2)=(0,1,0) setting ( $f_{osc}/3072$ ,  $f_{CK1}/3072$ ,  $f_{CK2}/384$ ).

# LC75829PE, 75829PW

## Output waveforms (1/3-Duty 1/3-Bias Drive Scheme)



Control data			Frame frequency $f_o$ [Hz]		
FC0	FC1	FC2	Internal oscillator operating mode (The control data OC is 0, $f_{osc}=300$ [kHz]typ)	External clock operating mode (The control data OC is 1 and EXF is 0, $f_{CK1}=300$ [kHz]typ)	External clock operating mode (The control data OC is 1 and EXF is 1, $f_{CK2}=38$ [kHz]typ)
0	0	0	$f_{osc}/6144$	$f_{CK1}/6144$	$f_{CK2}/768$
0	0	1	$f_{osc}/4608$	$f_{CK1}/4608$	$f_{CK2}/576$
0	1	0	$f_{osc}/3072$	$f_{CK1}/3072$	$f_{CK2}/384$
0	1	1	$f_{osc}/2304$	$f_{CK1}/2304$	$f_{CK2}/288$
1	0	0	$f_{osc}/1536$	$f_{CK1}/1536$	$f_{CK2}/192$
1	0	1	$f_{osc}/1152$	$f_{CK1}/1152$	$f_{CK2}/144$
1	1	0	$f_{osc}/768$	$f_{CK1}/768$	$f_{CK2}/96$

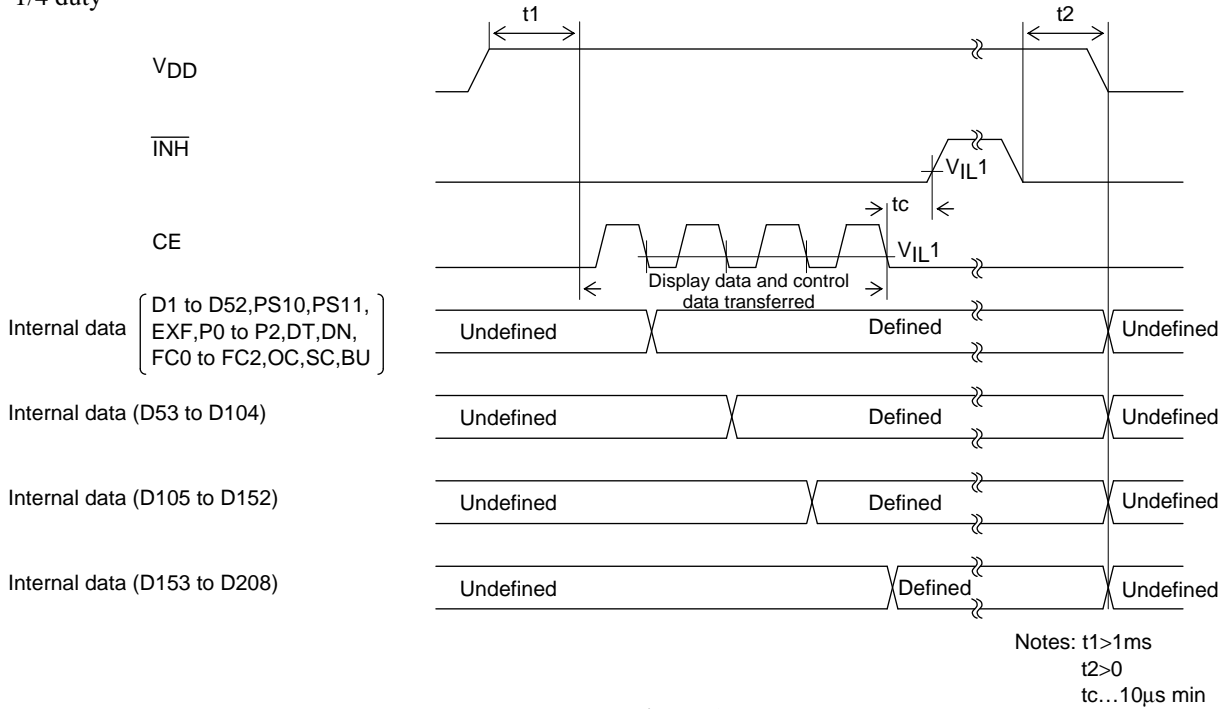
Note: When is setting (FC0,FC1,FC2)=(1,1,1), the frame frequency is same as frame frequency at the time of the (FC0,FC1,FC2)=(0,1,0) setting ( $f_{osc}/3072$ ,  $f_{CK1}/3072$ ,  $f_{CK2}/384$ ).

Display Control and the  $\overline{\text{INH}}$  Pin

Since the LSI internal data (1/4 duty : the display data D1 to D208 and the control data, 1/3 duty : the display data D1 to D159 and the control data) is undefined when power is first applied, applications should set the  $\overline{\text{INH}}$  pin low at the same time as power is applied to turn off the display (This sets the S1/P1 to S4/P4, S5 to S50, COM1 to COM3, COM4/S51, S52, and S53/OSCI pins to the VSS level.) and during this period send serial data from the controller. The controller should then set the  $\overline{\text{INH}}$  pin high after the data transfer has completed. This procedure prevents meaningless display at power on.

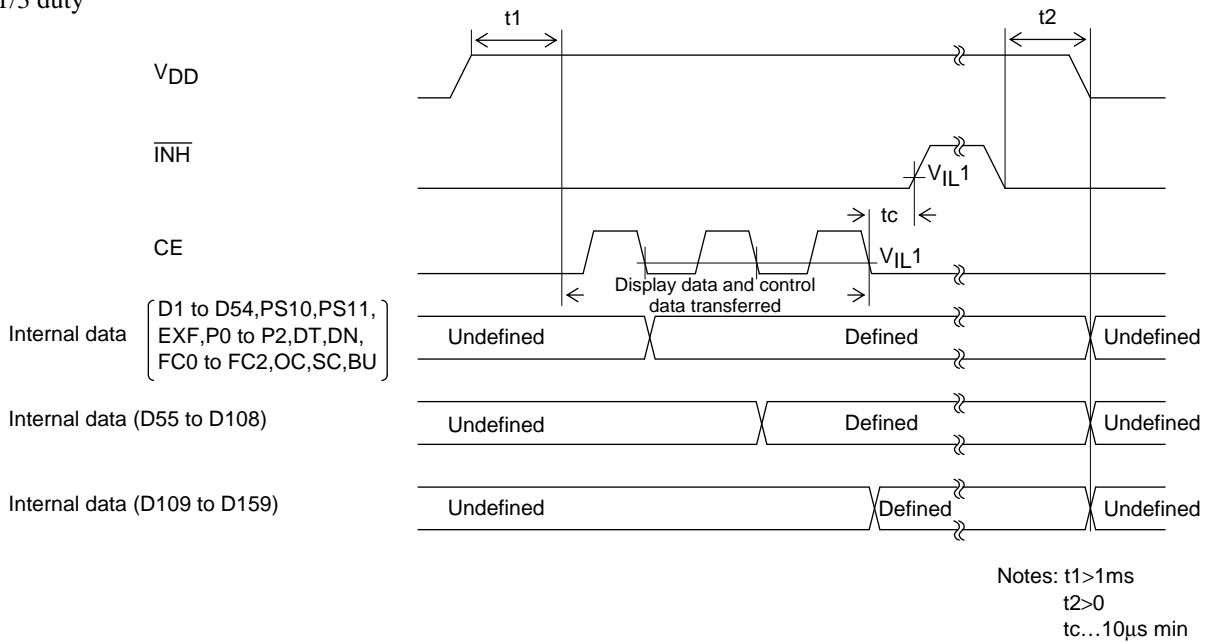
(See Figure 5 and Figure 6.)

• 1/4 duty



[Figure 5]

• 1/3 duty



[Figure 6]

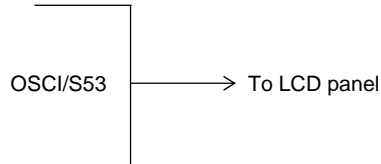
## Notes on Controller Transfer of Display Data

When using the LC75829 in 1/4 duty, applications transfer the display data (D1 to D208) in four operations, and in 1/3 duty, they transfer the display data (D1 to D159) in three operations. In either case, applications should transfer all of the display data within 30 ms to maintain the quality of displayed image.

### S53/OSCI Pin Peripheral Circuit

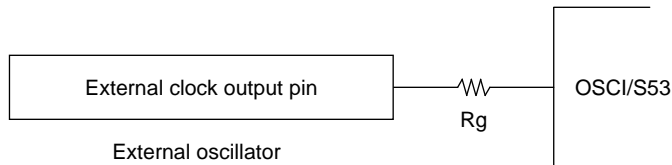
#### (1) Internal oscillator operating mode (control data OC=0)

Connect the S53/OSCI pin to the LCD panel when the internal oscillator operating mode is selected.



#### (2) External clock operating mode (control data OC=1)

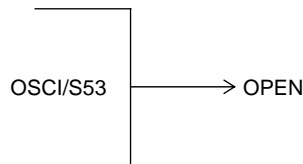
When the external clock operating mode is selected, insert a current protection resistor  $R_g$  (2.2 to 22k $\Omega$ ) between the S53/OSCI pin and external clock output pin (external oscillator). Determine the value of the resistance according to the allowable current value at the external clock output pin. Also make sure that the waveform of the external clock is not heavily distorted.



Note: Allowable current value at external clock output pin  $> \frac{V_{DD}}{R_g}$

#### (3) Unused pin treatment

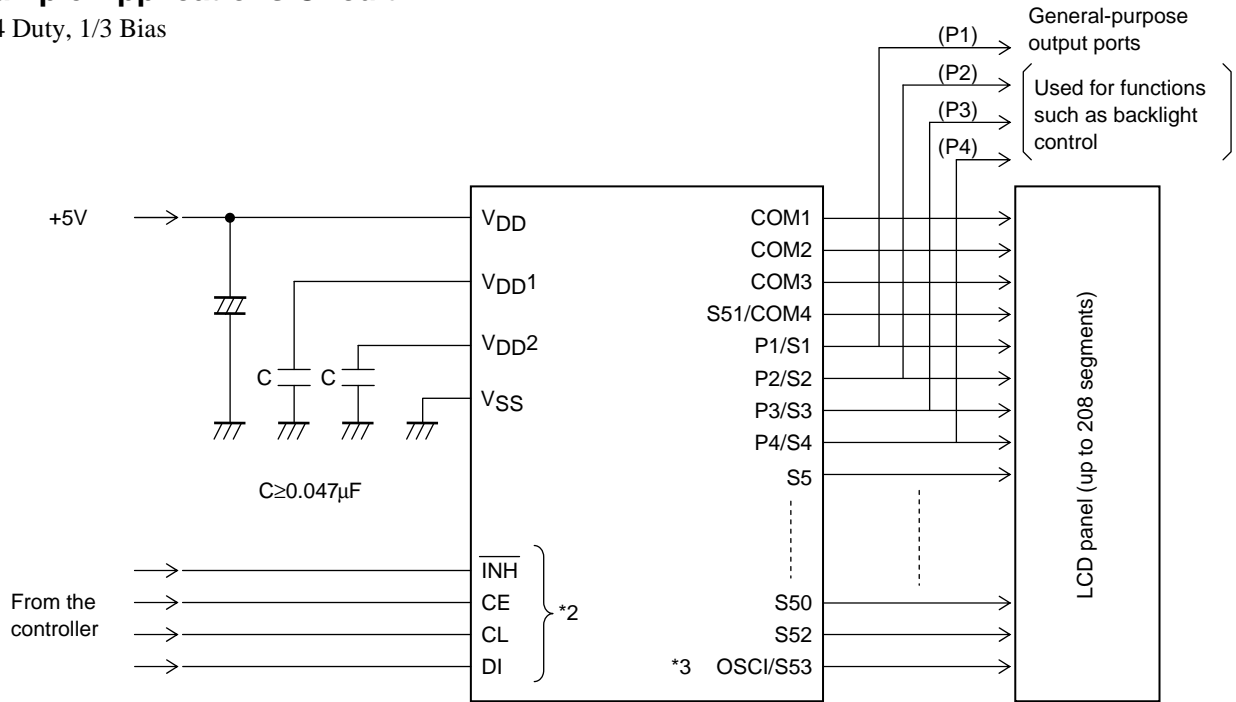
When the S53/OSCI pin is not to be used, select the internal oscillator operating mode (setting control data OC to 0) to keep the pin open.



# LC75829PE, 75829PW

## Sample Applications Circuit1

1/4 Duty, 1/3 Bias

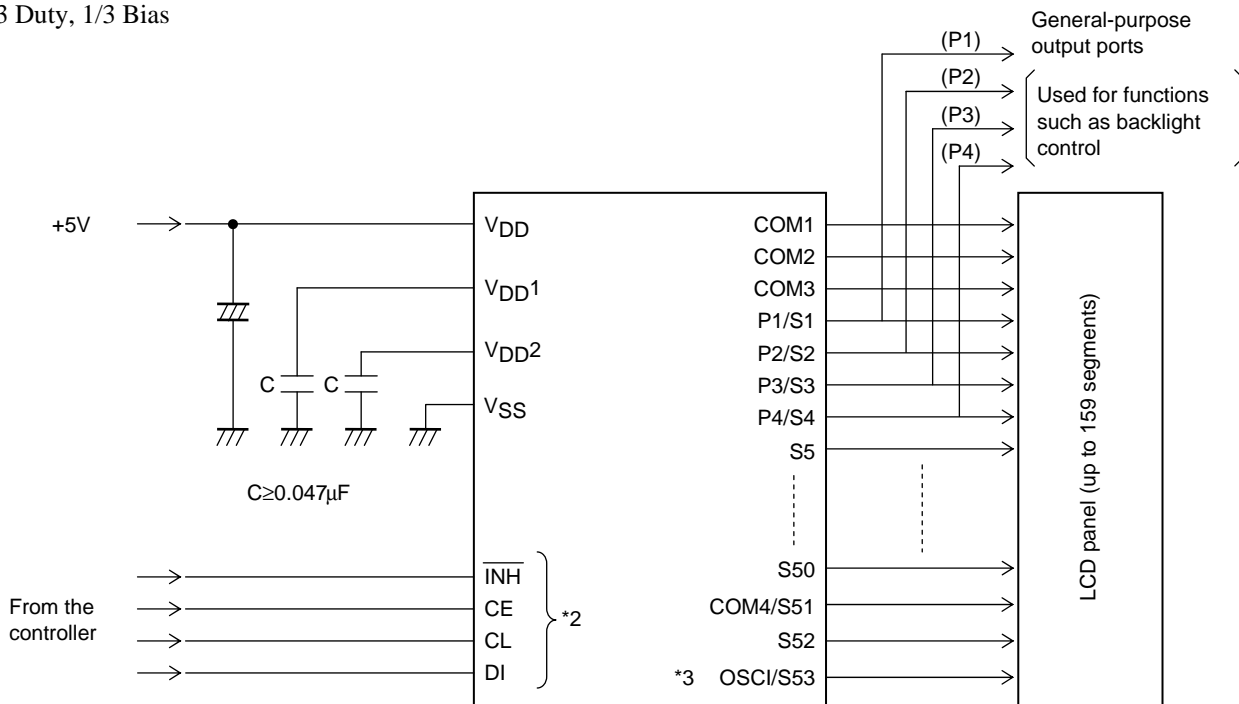


\*2 The pins to be connected to the controller (CE, CL, DI,  $\overline{\text{INH}}$ ) can handle 3.3V or 5V.

\*3 Connect the S53/OSCI pin to the LCD panel in the internal oscillator operating mode and insert a current protection resistor  $R_g$  (2.2 to 22kΩ) between the S53/OSCI pin and external clock output pin (external oscillator) in the external clock operating mode (see “S53/OSCI Pin Peripheral Circuit”).

## Sample Application Circuit 2

1/3 Duty, 1/3 Bias



\*2 The pins to be connected to the controller (CE, CL, DI,  $\overline{\text{INH}}$ ) can handle 3.3V or 5V.

\*3 Connect the S53/OSCI pin to the LCD panel in the internal oscillator operating mode and insert a current protection resistor  $R_g$  (2.2 to 22kΩ) between the S53/OSCI pin and external clock output pin (external oscillator) in the external clock operating mode (see “S53/OSCI Pin Peripheral Circuit”).

- SANYO Semiconductor Co.,Ltd. assumes no responsibility for equipment failures that result from using products at values that exceed, even momentarily, rated values (such as maximum ratings, operating condition ranges, or other parameters) listed in products specifications of any and all SANYO Semiconductor Co.,Ltd. products described or contained herein.
- SANYO Semiconductor Co.,Ltd. strives to supply high-quality high-reliability products, however, any and all semiconductor products fail or malfunction with some probability. It is possible that these probabilistic failures or malfunction could give rise to accidents or events that could endanger human lives, trouble that could give rise to smoke or fire, or accidents that could cause damage to other property. When designing equipment, adopt safety measures so that these kinds of accidents or events cannot occur. Such measures include but are not limited to protective circuits and error prevention circuits for safe design, redundant design, and structural design.
- In the event that any or all SANYO Semiconductor Co.,Ltd. products described or contained herein are controlled under any of applicable local export control laws and regulations, such products may require the export license from the authorities concerned in accordance with the above law.
- No part of this publication may be reproduced or transmitted in any form or by any means, electronic or mechanical, including photocopying and recording, or any information storage or retrieval system, or otherwise, without the prior written consent of SANYO Semiconductor Co.,Ltd.
- Any and all information described or contained herein are subject to change without notice due to product/technology improvement, etc. When designing equipment, refer to the "Delivery Specification" for the SANYO Semiconductor Co.,Ltd. product that you intend to use.
- Information (including circuit diagrams and circuit parameters) herein is for example only; it is not guaranteed for volume production.
- Upon using the technical information or products described herein, neither warranty nor license shall be granted with regard to intellectual property rights or any other rights of SANYO Semiconductor Co.,Ltd. or any third party. SANYO Semiconductor Co.,Ltd. shall not be liable for any claim or suits with regard to a third party's intellectual property rights which has resulted from the use of the technical information and products mentioned above.

This catalog provides information as of May, 2009. Specifications and information herein are subject to change without notice.