



LC89962, LC89962M

NTSC Format Delay Line

Overview

The LC89962 and LC89962M are delay line circuits that provide a delayed signal by a 1H period of NTSC format with an external low-pass filter.

Features

- Requires only the input of a 3.58-MHz clock to produce a 1H delayed signal and the external low-pass filter.
- Uses a 5-V single-voltage power supply.
- Requires a minimal number of external components due to the peripheral components provided on chip.
- Output signal has the same phase as the input signal.
- Operation has a 4fsc clock synchronized with the input clock allows these products to be used as wide bandwidth delay lines.
- A 4fsc clock can be output from the 4FSC pin (pin 7).

Functions

- 906-bit CCD shift register
- Timing generator and CCD driver circuits
- Auto-bias circuit
- Sync-tip clamp circuit
- Sample-and-hold and output amplifier circuits
- 4 × PLL circuit
- 4fsc output circuit

Specifications

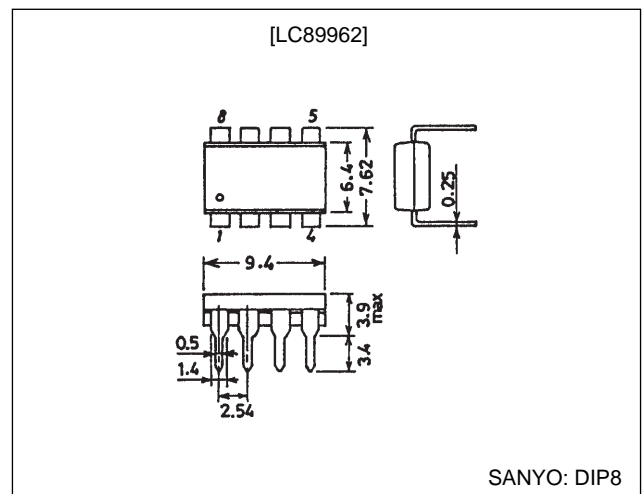
Absolute Maximum Ratings at Ta = 25°C

Parameter	Symbol	Conditions	Ratings	Unit
Supply voltage	V _{DD}		-0.3 to +6.0	V
Allowable power dissipation	Pd max	LC89962	400	mW
		LC89962M	140	mW
Operating temperature	T _{opr}		-10 to +60	°C
Storage temperature	T _{stg}		-55 to +125	°C

Package Dimensions

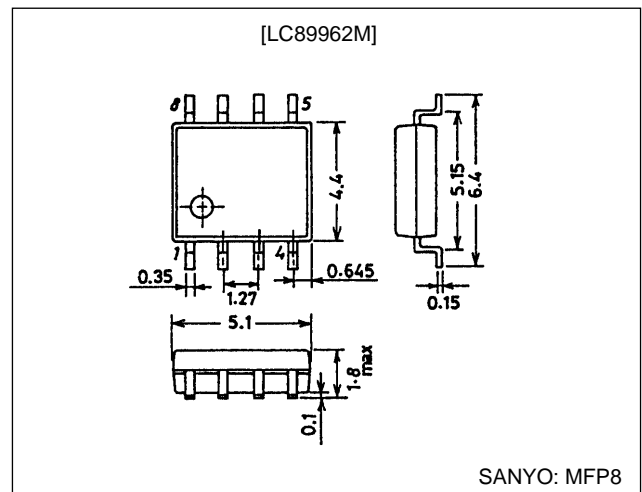
unit: mm

3001B-DIP8



unit: mm

3032B-MFP8



LC89962, LC89962M

Allowable Operating Ranges at Ta = 25°C

Parameter	Symbol	Conditions	min	typ	max	Unit
Supply voltage	V _{DD}		4.75	5.0	5.25	V
Clock input amplitude	V _{CLK}	Sine wave	200	300	500	mVp-p
Clock frequency	F _{CLK}			3.579545		MHz
Signal input amplitude	V _{IN}	(*1)		500	572	mVp-p

Note 1. The input signal must be input with low impedance for correct operation of sync-tip clamping.

Electrical Characteristics at Ta = 25°C, V_{DD} = 5.0 V, CLK = 3.579545 MHz; 300 mV p-p

Parameter	Symbol	Switch states				min	typ	max	Unit
		SW1	SW2	SW3	Test conditions				
Supply current	I _{DD}	a	a	a	*1	5	15	25	mA
Voltage gain	G _V	a	b	a	*2	-2	0	+2	dB
Frequency characteristics	G _f	b	b	a	*3	-2	-1	0	dB
Differential gain	DG	a	a	a	*4	0	5		%
Differential phase	DP	a	a	a	*4	0	5		deg
Linearity	LS	a	a	a	*5	37	40	43	%
Clock leakage	Lck	a	b	a	*6		5	50	mVrms
Noise	N _O	a	b	a	*7		1	2	mVrms
Output impedance	Z _O	a	b	a↔b	*8	220	370	520	Ω
Delay time	TD	a	b	a	*9		63.33		μs

Test Conditions

- The supply current with no input signal
- The following formula is used to calculate the voltage gain (G_V).

$$G_V = 20 \log \frac{V_{OUT} [\text{mVp-p}]}{500 [\text{mVp-p}]} [\text{dB}]$$

Output signal symbol	Input signal
V _{OUT}	Sine wave: 200 kHz, 500 mV p-p

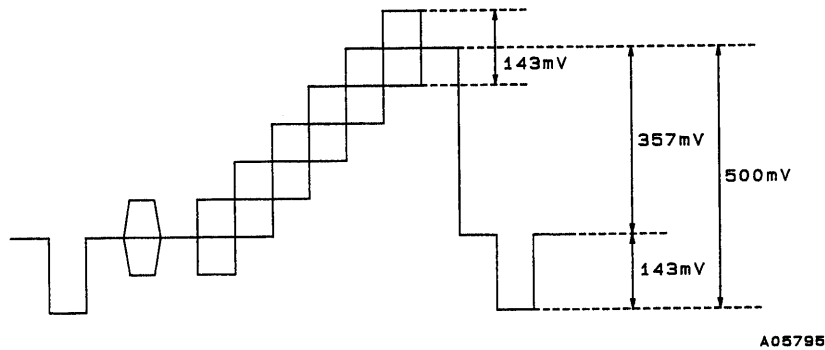
- The following formula is used to calculate the frequency characteristics (G_f).

$$G_f = 20 \log \frac{V_2 [\text{mVp-p}]}{V_1 [\text{mVp-p}]} [\text{dB}]$$

Output signal symbol	Input signal
V1	Sine wave: 200 kHz, 200 mV p-p
V2	Sine wave: 3.58 MHz, 200 mV p-p

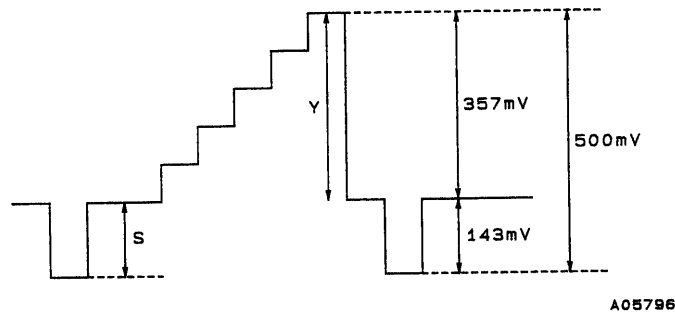
During this test, adjust V_{bias} so that the input signal DC level is 250 mV higher than the clamp level.

4. Measure the differential gain (DG) and differential phase (DP) using a vector scope with a 5-step function wave input. (See the following figure.)



5. To measure LS, input a 5-step function wave and measure the ratio of the sync level (S) to the luminance level (Y).

$$LS = \frac{S \text{ [mV]}}{Y \text{ [mV]}} \times 100 \text{ [%]}$$



6. To measure clock leakage (Lck), measure the 4fsc (14.3 MHz) component in the output signal with a spectrum analyzer when no input signal is presented.
7. To measure the noise level (N_O), measure the noise output in the OUT pin output when no input signal is present with a video noise meter. Set up the noise meter with a 200-kHz high-pass filter, a 4.2-MHz low-pass filter, and 3.58-MHz trap filter.
8. The following formula is used to calculate the output impedance (Z_O).

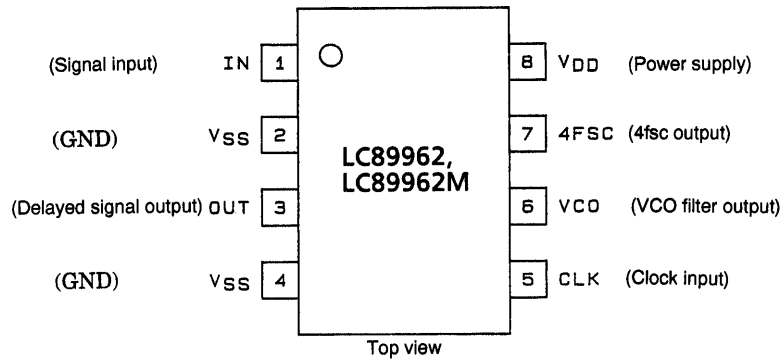
$$Z_O = \frac{V1 \text{ [mVp-p]} - V2 \text{ [mVp-p]}}{V2 \text{ [mVp-p]}} \times 500 \text{ [\Omega]}$$

Output signal symbol	SW3	Input signal
V1	a	Sine wave: 200 kHz, 500 mV p-p
V2	b	

9. To measure the delay time (TD), measure the delay time of the output signal to the input signal. In this measurement, the delay time associated with the low-pass filter must be excluded.

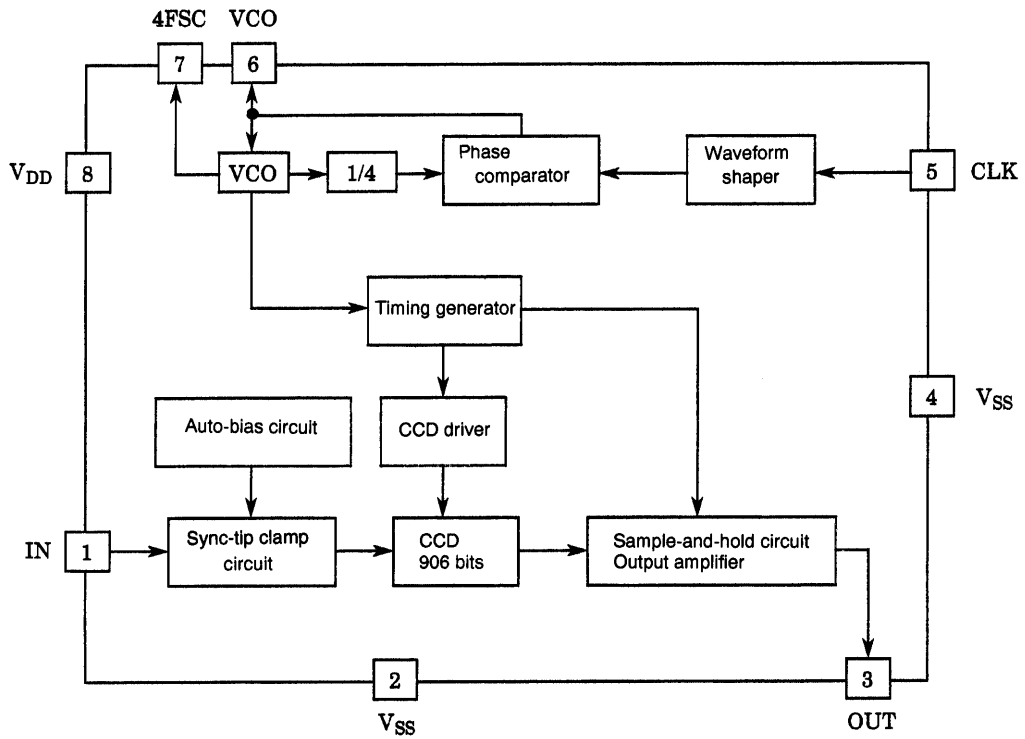
LC89962, LC89962M

Pin Assignment



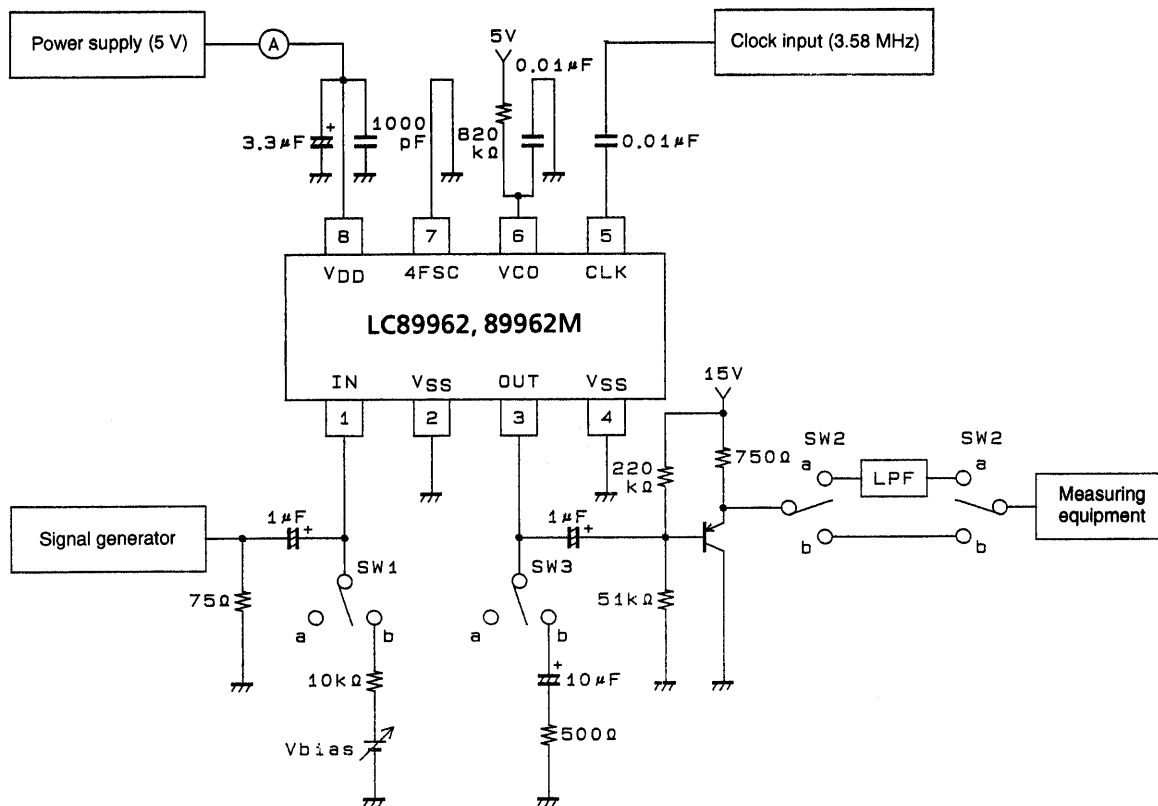
A05794

Block Diagram



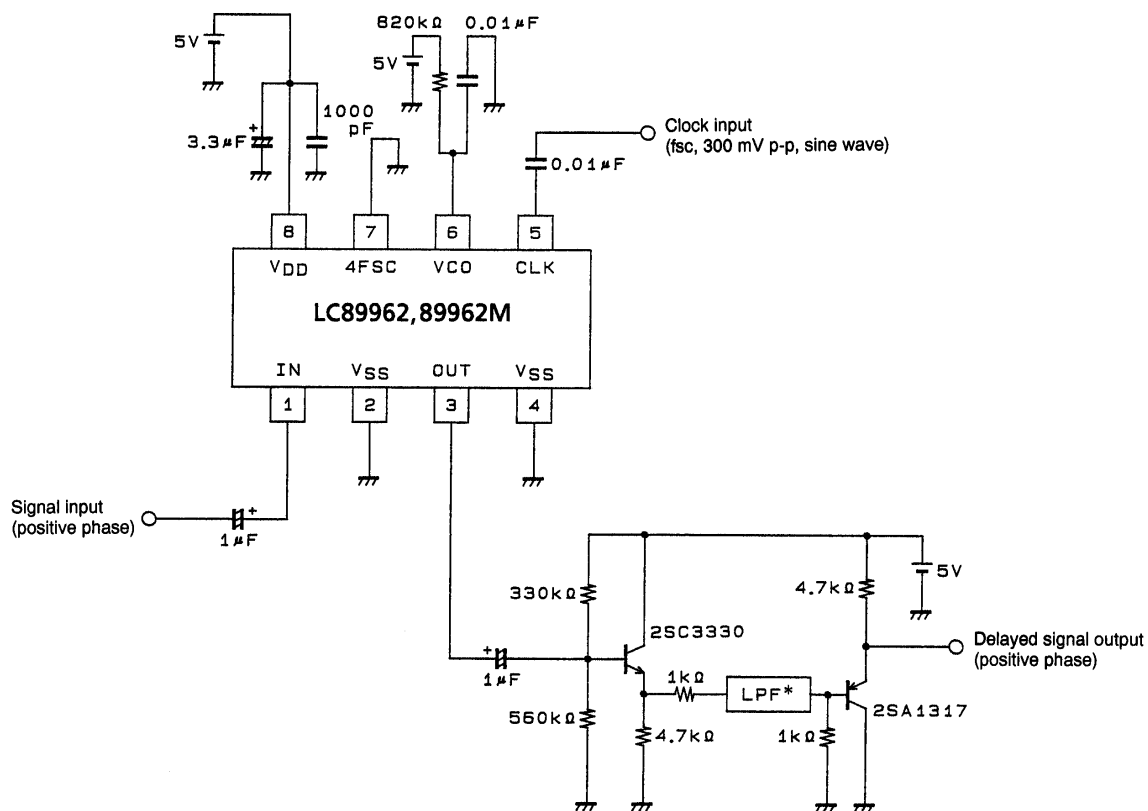
LC89962, LC89962M

Test Circuit



A05797

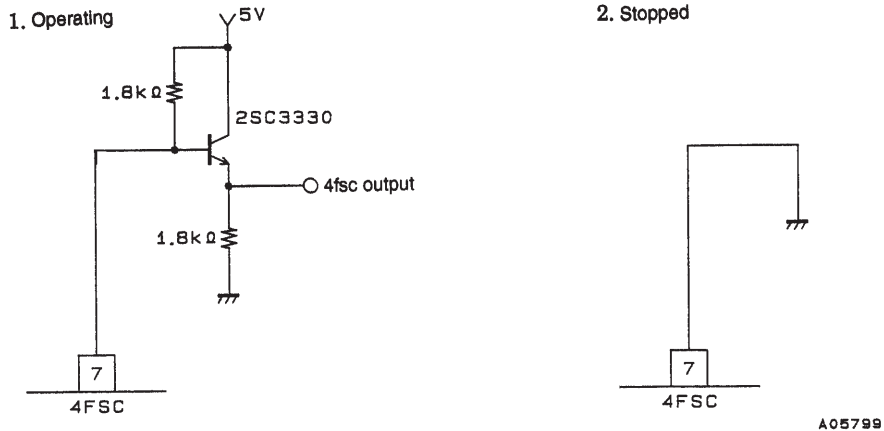
Sample Application Circuit



*The LPF delay time is 225 ns.

A05798

4FSC (pin 7) Sample Application Circuit



- No products described or contained herein are intended for use in surgical implants, life-support systems, aerospace equipment, nuclear power control systems, vehicles, disaster/crime-prevention equipment and the like, the failure of which may directly or indirectly cause injury, death or property loss.
- Anyone purchasing any products described or contained herein for an above-mentioned use shall:
 - ① Accept full responsibility and indemnify and defend SANYO ELECTRIC CO., LTD., its affiliates, subsidiaries and distributors and all their officers and employees, jointly and severally, against any and all claims and litigation and all damages, cost and expenses associated with such use:
 - ② Not impose any responsibility for any fault or negligence which may be cited in any such claim or litigation on SANYO ELECTRIC CO., LTD., its affiliates, subsidiaries and distributors or any of their officers and employees jointly or severally.
- Information (including circuit diagrams and circuit parameters) herein is for example only; it is not guaranteed for volume production. SANYO believes information herein is accurate and reliable, but no guarantees are made or implied regarding its use or any infringements of intellectual property rights or other rights of third parties.

This catalog provides information as of September, 1996. Specifications and information herein are subject to change without notice.