

LM4862 Boomer® Audio Power Amplifier Series

350 mW Audio Power Amplifier with Shutdown Mode

General Description

The LM4862 is a bridge-connected audio power amplifier capable of delivering 350 mW of continuous average power to an 8Ω load with less than 1% (THD + N) over the audio spectrum using a 5V power supply.

Boomer audio power amplifiers were designed specifically to provide high quality output power with a minimal amount of external components. Since the LM4862 does not require output coupling capacitors, bootstrap capacitors, or snubber networks, it is optimally suited for low-power portable systems.

The LM4862 features an externally controlled, low-power consumption shutdown mode, as well as an internal thermal shutdown protection mechanism.

The unity-gain stable LM4862 can be configured by external gain-setting resistors.

Key Specifications

- THD + N at 350 mW continuous average output power into 8Ω 1% (max)
- Instantaneous peak output power > 0.5W
- Shutdown Current 0.7 μA (typ)

Features

- No output coupling capacitors, bootstrap capacitors or snubber circuits are necessary
- Small Outline or DIP packaging
- Unity-gain stable
- External gain configuration capability
- Pin compatible with LM4861

Applications

- Portable Computers
- Cellular Phones
- Toys and Games

Typical Application

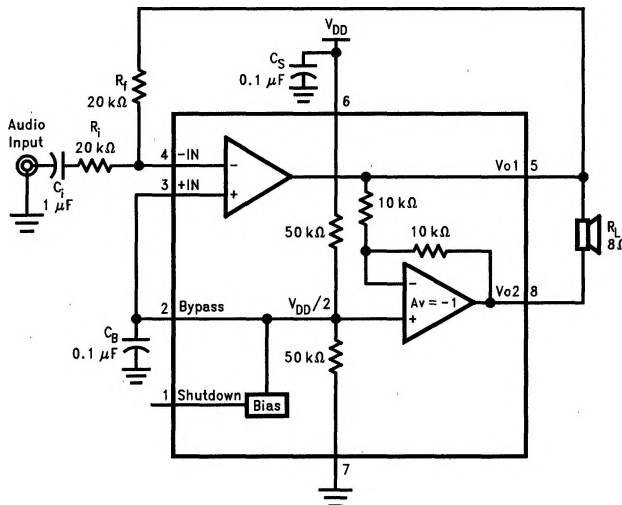
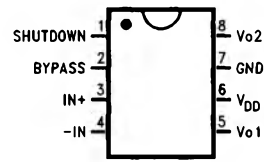


FIGURE 1. Typical Audio Amplifier Application Circuit

TL/H/12342-1

Connection Diagram

Small Outline and DIP Package



TL/H/12342-2

Top View

Order Number LM4862M, LM4862N
See NS Package Number M08A or N08E