



# LS5018B LS5060B/LS5120B

TRISIL™

## FEATURES

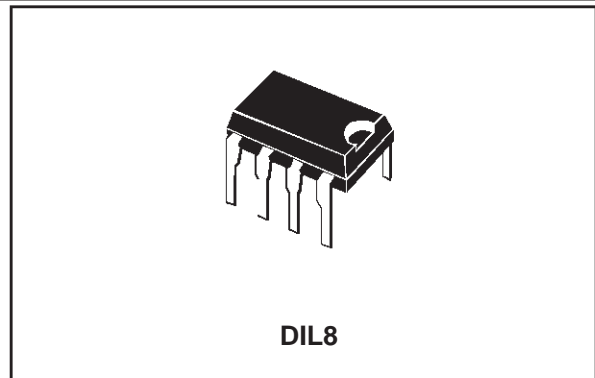
- BIDIRECTIONAL CROWBAR PROTECTION.
- BREAKDOWN VOLTAGES RANGE:  
18V, 60V and 120V.
- HOLDING CURRENT = 200mA min.
- HIGH SURGE CURRENT CAPABILITY  
 $I_{PP} = 100A$  10/1000 $\mu s$

## DESCRIPTION

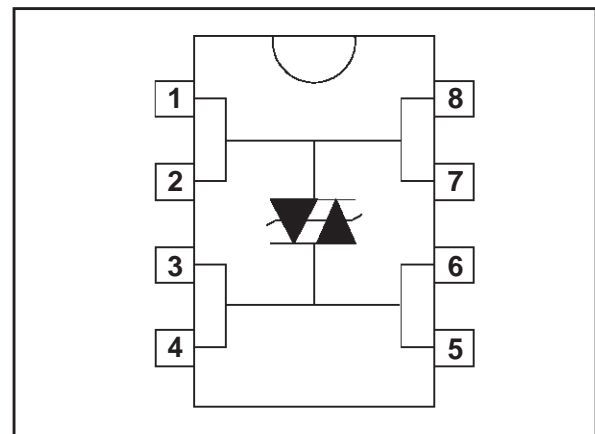
The LS50xxB series has been designed to protect telecommunication equipment against lightning and transients induced by AC power lines. Its high surge current capability makes the LS50xxB a reliable protection device for very exposed equipment, or when series resistors are very low.

## COMPLIES WITH THE FOLLOWING STANDARDS:

CCITT K17 - K20	10/700	$\mu s$	1.5 kV
	5/310	$\mu s$	38 A
VDE 0433	10/700	$\mu s$	2 kV
	5/200	$\mu s$	50 A
CNET	0.5/700	$\mu s$	1.5 kV
	0.2/310	$\mu s$	38 A



## SCHEMATIC DIAGRAM



## ABSOLUTE MAXIMUM RATINGS ( $T_{amb} = 25^{\circ}C$ )

Symbol	Parameter		Value	Unit
$I_{PP}$	Peak pulse current	10/1000 $\mu s$ 8/20 $\mu s$	100 250	A
$I_{TSM}$	Non repetitive surge peak on-state current	$t_p = 20$ ms	50	A
dI/dt	Critical rate of rise of on-state current	Non repetitive	100	A/ $\mu s$
dV/dt	Critical rate of rise of off-state voltage	$V_{RM}$	5	kV/ $\mu s$
$T_{stg}$ $T_j$	Storage and operating junction temperature range		- 40 to + 150 150	$^{\circ}C$ $^{\circ}C$
$T_L$	Maximum lead temperature for soldering during 10s		230	$^{\circ}C$

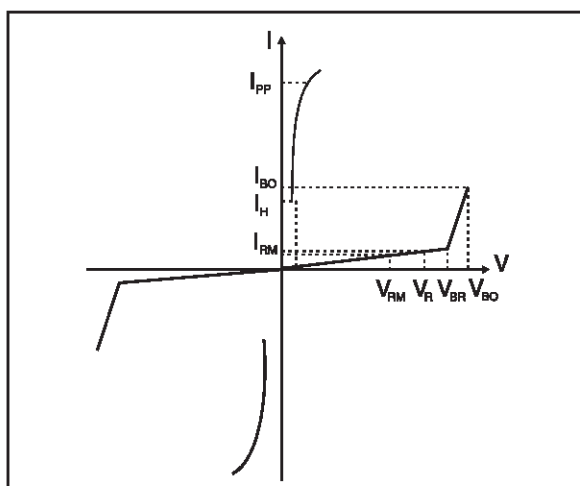
## LS5018B/LS5060B/LS5120B

### THERMAL RESISTANCE

Symbol	Parameter	Value	Unit
$R_{th(j-a)}$	Junction to ambient on printed circuit with recommended pad layout	80	$^{\circ}C/W$

### ELECTRICAL CHARACTERISTICS ( $T_{amb} = 25^{\circ}C$ )

Symbol	Parameter
$I_{RM}$	Leakage current at stand-off voltage
$V_{RM}$	Stand-off voltage
$V_{BR}$	Breakdown voltage
$V_{BO}$	Breakover voltage
$I_H$	Holding current
$I_{BO}$	Breakover current
$I_{PP}$	Peak pulse current
C	Capacitance

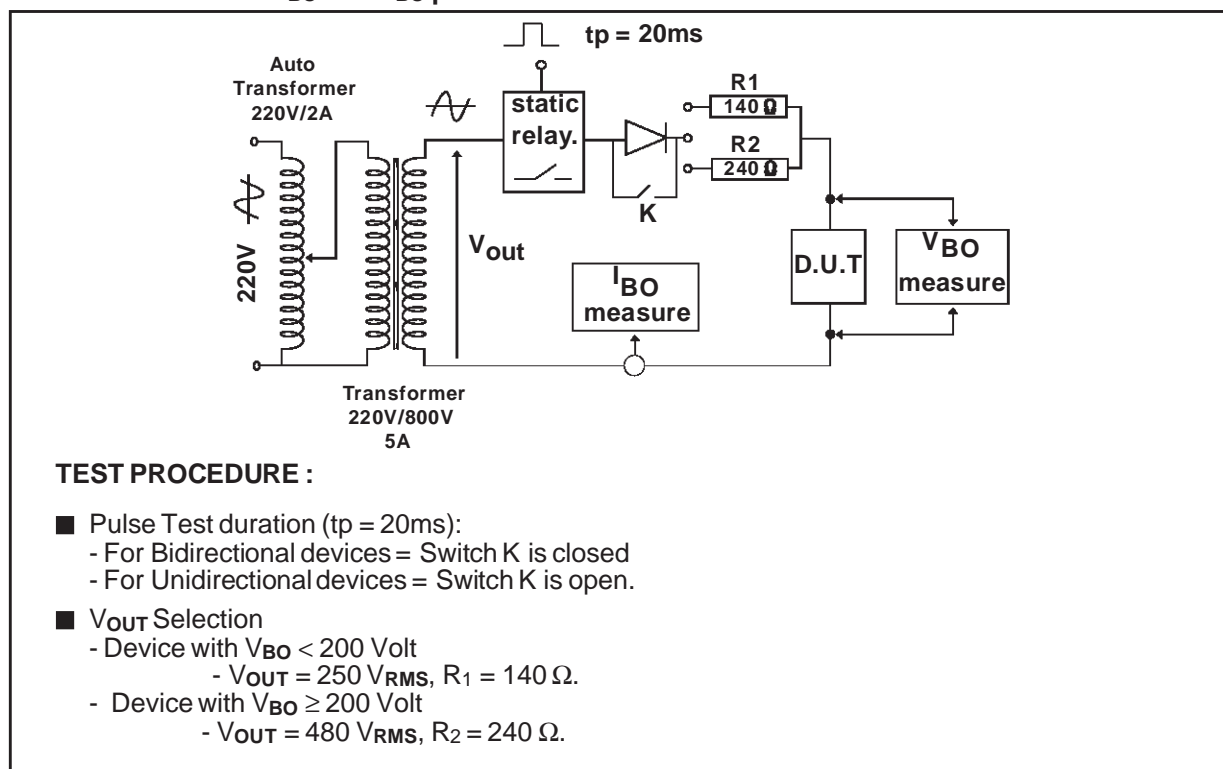
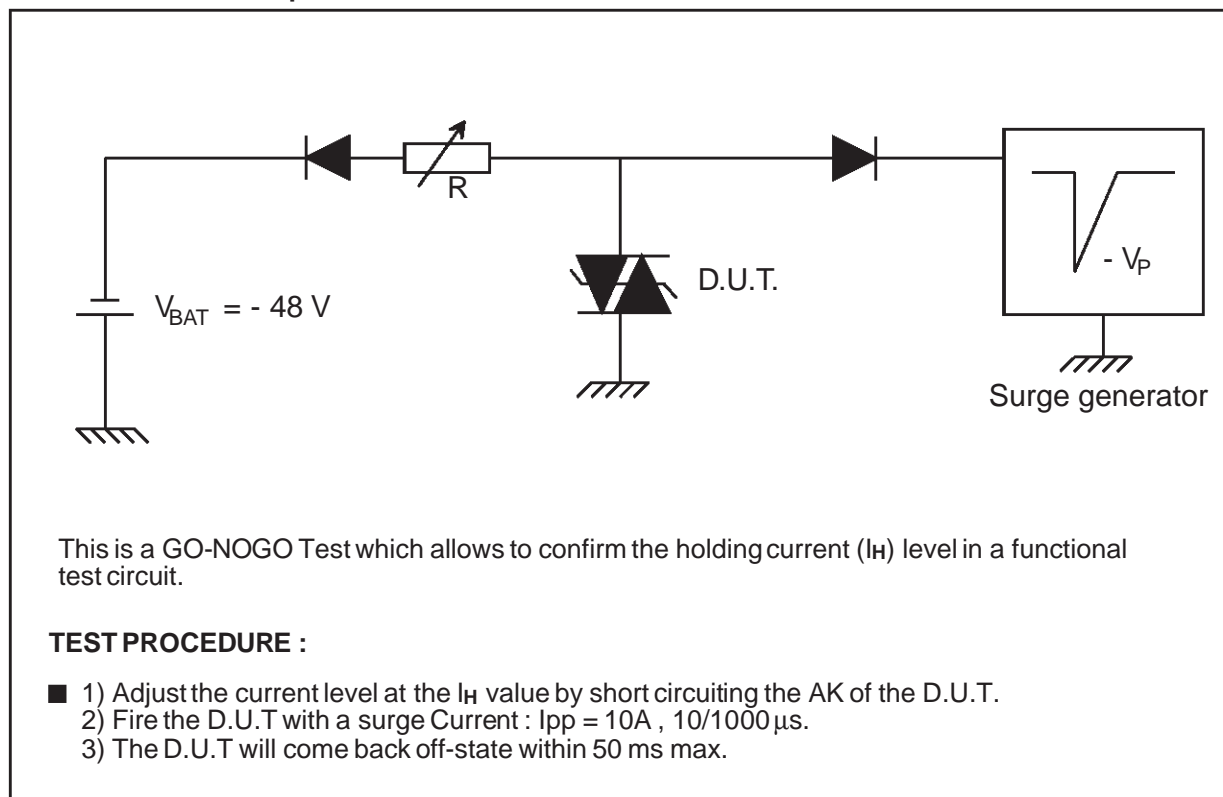


Type	$I_{RM} @ V_{RM}$ max.		$V_{BR} @ I_H$ min.		$V_{BO} @ I_{BO}$ max. typ. note 1		$I_H$ min. note 2	C max. note 3
	$\mu A$	V	V	mA	V	mA	mA	pF
LS5018B	5	16	17	1	22	1300	200	150
LS5060B	10	50	60	1	85	1000	200	150
LS5120B	20	100	120	1	180	1250	250	150

**Note 1 :** Measured at 50Hz (1 cycle)

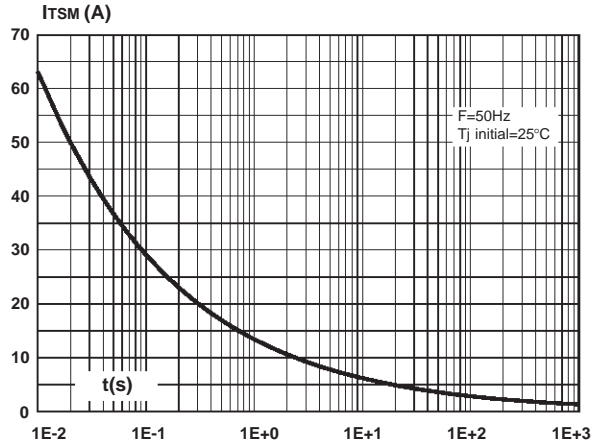
**Note 2 :** See test circuit

**Note 3 :**  $V_R = 5 V$ ,  $F = 1MHz$ .

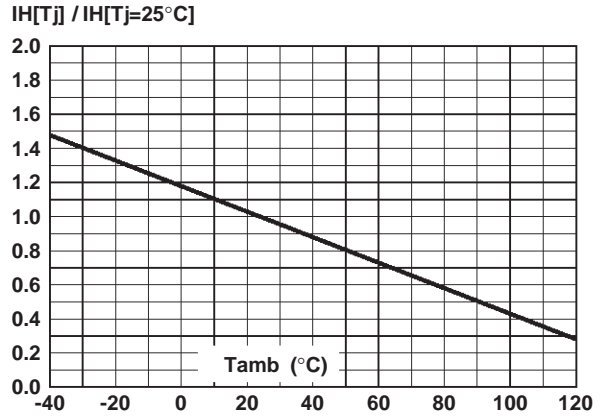
**TEST CIRCUIT 1 FOR  $I_{BO}$  and  $V_{BO}$  parameters :****TEST CIRCUIT 2 for  $I_H$  parameter.**

**LS5018B/LS5060B/LS5120B**

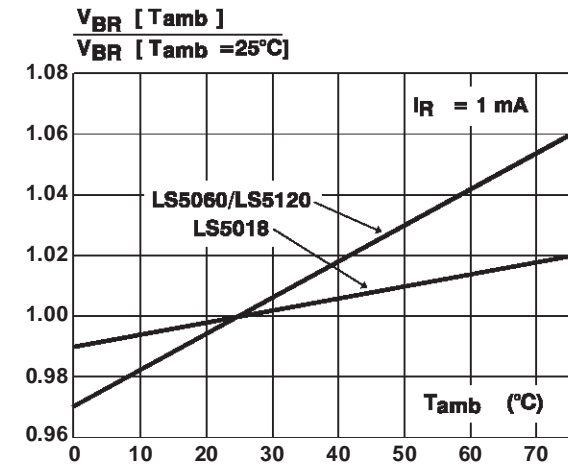
**Figure 1** : Non repetitive surge peak current versus overload duration



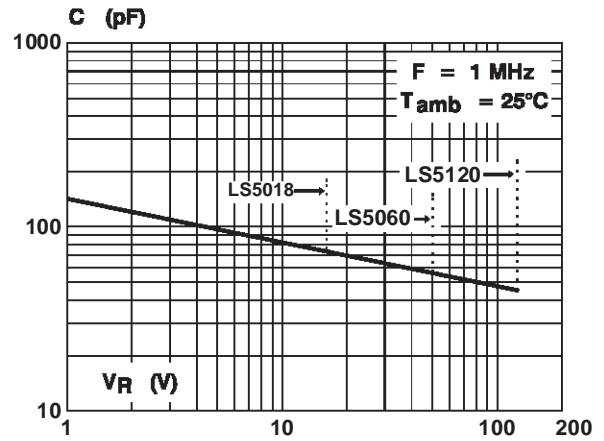
**Figure 2** : Relative variation of holding current versus junction temperature.



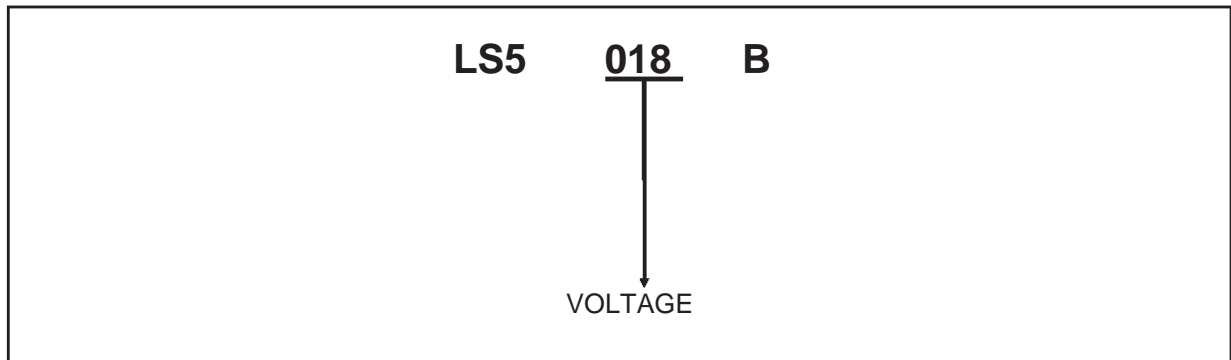
**Figure 3** : Relative variation of breakdown voltage versus ambient temperature.



**Figure 4** : Junction capacitance versus reverse applied voltage.



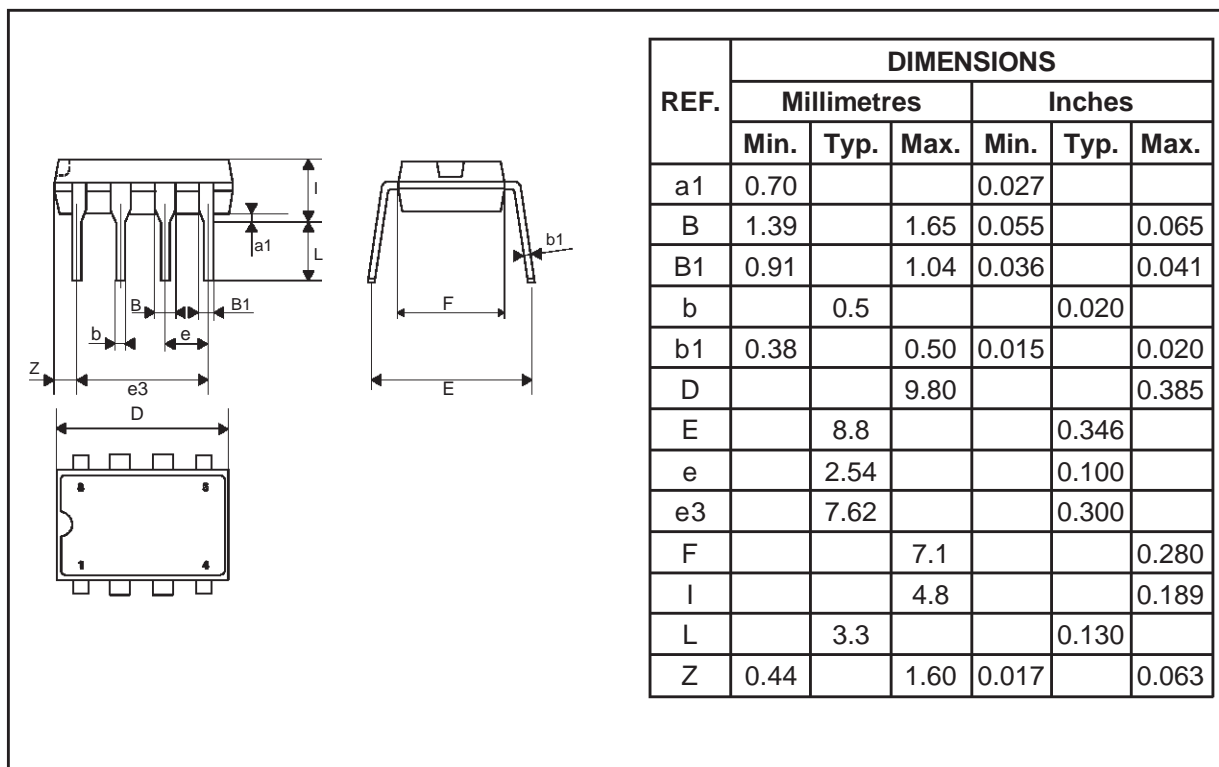
**ORDER CODE**



**MARKING** : Logo, Date Code, part Number.

**Packaging** : Products supplied in antistatic tubes.  
**Weight** : 0.59g

**PACKAGE MECHANICAL DATA**  
 DIL 8 Plastic



Information furnished is believed to be accurate and reliable. However, STMicroelectronics assumes no responsibility for the consequences of use of such information nor for any infringement of patents or other rights of third parties which may result from its use. No license is granted by implication or otherwise under any patent or patent rights of STMicroelectronics. Specifications mentioned in this publication are subject to change without notice. This publication supersedes and replaces all information previously supplied. STMicroelectronics products are not authorized for use as critical components in life support devices or systems without express written approval of STMicroelectronics.

The ST logo is a registered trademark of STMicroelectronics

© 1998 STMicroelectronics - Printed in Italy - All rights reserved.

STMicroelectronics GROUP OF COMPANIES

Australia - Brazil - Canada - China - France - Germany - Italy - Japan - Korea - Malaysia - Malta - Mexico - Morocco - The Netherlands - Singapore - Spain - Sweden - Switzerland - Taiwan - Thailand - United Kingdom - U.S.A.

