

April 1993

The specifications for the **LT1029/LT1029A** have been revised as follows. Changes are indicated in **bold face**. For complete specifications, typical performance curves and applications information, please see the **LT1029/LT1029A** data sheet.

## FEATURES

- **700 $\mu$ A** to 10mA Operating Current

## DESCRIPTION

(2nd paragraph)

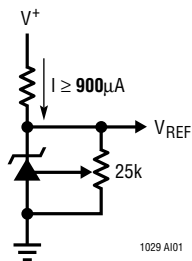
 Operating current range for the LT1029 is **700 $\mu$ A** to 10mA.

## ELECTRICAL CHARACTERISTICS

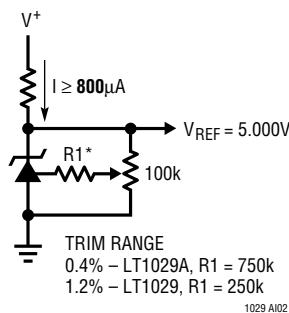
PARAMETER	CONDITIONS		MIN	TYP	MAX	UNITS
Reverse Breakdown Change with Current	<b>700<math>\mu</math>A</b> $\leq$ $I_R$ $\leq$ 10mA			2	5	mV
		●		3	8	mV

## APPLICATIONS INFORMATION

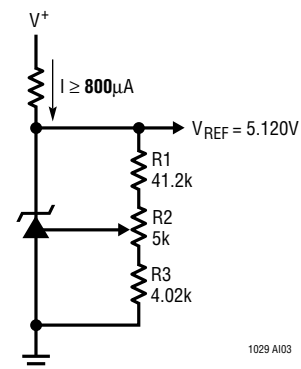
### Wide Trim Range (5%, -13%)



### Narrow Trim Range



### Trimming Output to 5.120V



For further information regarding this specification notice contact:

 Linear Technology Corporation  
 1630 McCarthy Blvd.  
 Milpitas, California 95035-7487  
 Attn: Product Marketing Manager  
 Phone: (408) 432-1900