

## FEATURES

- Differential or Single-Ended Gain Block (Adjustable)
- -3dB Bandwidth,  $A_V = \pm 10$  35MHz
- Slew Rate 220V/ $\mu$ s
- Low Supply Current 13mA
- Output Current  $\pm 20$ mA
- CMRR at 10MHz 48dB
- LT1193 Pin Out
- Low Cost
- Single 5V Operation
- Drives Cables Directly
- Output Shutdown

## APPLICATIONS

- Line Receivers
- Video Signal Processing
- Cable Drivers
- Tape and Disc Drive Systems

## DESCRIPTION

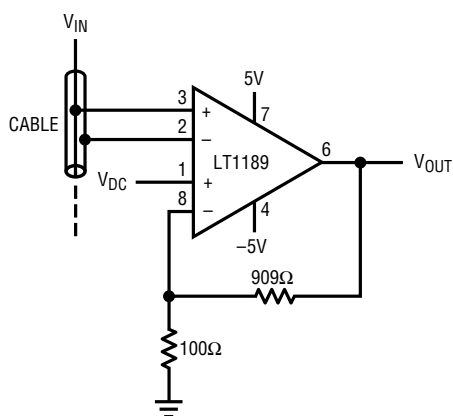
The LT1189 is a difference amplifier optimized for operation on  $\pm 5$ V, or a single 5V supply, and gain  $\geq 10$ . This versatile amplifier features uncommitted high input impedance (+) and (-) inputs, and can be used in differential or single-ended configurations. Additionally, a second set of inputs give gain adjustment and DC control to the difference amplifier.

The LT1189's high slew rate, 220V/ $\mu$ s, wide bandwidth, 35MHz, and  $\pm 20$ mA output current require only 13mA of supply current. The shutdown feature reduces the power dissipation to a mere 15mW, and allows multiple amplifiers to drive the same cable.

The LT1189 is a low power, gain of 10 stable version of the popular LT1193, and is available in 8-pin miniDIPs and SO packages. For lower gain applications see the LT1187 data sheet.

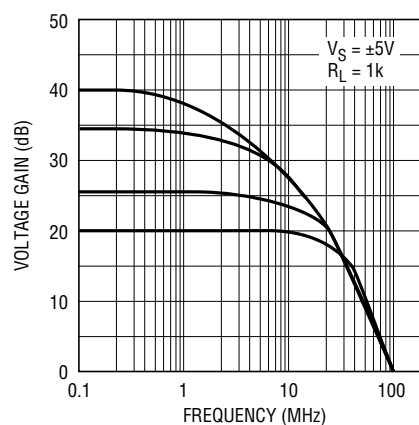
## TYPICAL APPLICATION

**Cable Sense Amplifier for Loop Through Connections with DC Adjust**



LT1189 • TA01

**Closed-Loop Gain vs Frequency**



LT1189 • TA02

**ABSOLUTE MAXIMUM RATINGS**

Total Supply Voltage ( $V^+$ to $V^-$ ) .....	18V
Differential Input Voltage .....	$\pm 6V$
Input Voltage .....	$\pm V_S$
Output Short Circuit Duration (Note 1) .....	Continuous
Operating Temperature Range	
LT1189M .....	$-55^\circ\text{C}$ to $150^\circ\text{C}$
LT1189C .....	$0^\circ\text{C}$ to $70^\circ\text{C}$
Junction Temperature (Note 2)	
Plastic Package (CN8,CS8) .....	$150^\circ\text{C}$
Ceramic Package (CJ8,MJ8) .....	$175^\circ\text{C}$
Storage Temperature Range .....	$-65^\circ\text{C}$ to $150^\circ\text{C}$
Lead Temperature (Soldering, 10 sec.) .....	$300^\circ\text{C}$

**PACKAGE/ORDER INFORMATION**

<p>J8 PACKAGE      N8 PACKAGE 8-LEAD HERMETIC DIP   8-LEAD PLASTIC DIP</p> <p>S8 PACKAGE 8-LEAD PLASTIC SOIC</p> <p>LT1189 • POI01</p> <p><math>T_{JMAX} = 175^\circ\text{C}, \theta_{JA} = 100^\circ\text{C/W}</math> (J8)  <math>T_{JMAX} = 150^\circ\text{C}, \theta_{JA} = 100^\circ\text{C/W}</math> (N8)  <math>T_{JMAX} = 150^\circ\text{C}, \theta_{JA} = 150^\circ\text{C/W}</math> (S8)</p>	ORDER PART NUMBER
	LT1189MJ8 LT1189CJ8 LT1189CN8 LT1189CS8
	S8 PART MARKING
	1189

**$\pm 5V$  ELECTRICAL CHARACTERISTICS**  $T_A = 25^\circ\text{C}$ , (Note 3)

$V_S = \pm 5V$ ,  $V_{REF} = 0V$ ,  $R_{FB1} = 900\Omega$  from pins 6 to 8,  $R_{FB2} = 100\Omega$  from pin 8 to ground,  $R_L = R_{FB1} + R_{FB2} = 1k$ ,  $C_L \leq 10pF$ , pin 5 open.

SYMBOL	PARAMETER	CONDITIONS	LT1189M/C			UNITS
			MIN	TYP	MAX	
$V_{OS}$	Input Offset Voltage	Either Input, (Note 4) SOIC Package		1.0	3.0	mV
				1.0	4.0	mV
$I_{OS}$	Input Offset Current	Either Input		0.2	1.0	$\mu\text{A}$
$I_B$	Input Bias Current	Either Input		$\pm 0.5$	$\pm 2.0$	$\mu\text{A}$
$e_n$	Input Noise Voltage	$f_0 = 10\text{kHz}$		30		$\text{nV}/\sqrt{\text{Hz}}$
$i_n$	Input Noise Current	$f_0 = 10\text{kHz}$		1.25		$\text{pA}/\sqrt{\text{Hz}}$
$R_{IN}$	Input Resistance	Differential		30		$\text{k}\Omega$
$C_{IN}$	Input Capacitance	Either Input		2.0		pF
$V_{IN\ LIM}$	Input Voltage Limit	(Note 5)		$\pm 170$		mV
	Input Voltage Range		-2.5		3.5	V
CMRR	Common-Mode Rejection Ratio	$V_{CM} = -2.5V$ to $3.5V$	80	105		dB
PSRR	Power Supply Rejection Ratio	$V_S = \pm 2.375V$ to $\pm 8V$	75	90		dB
$V_{OUT}$	Output Voltage Swing	$V_S = \pm 5V, R_L = 1k, A_V = 50$	$\pm 3.8$	$\pm 4.0$		V
		$V_S = \pm 8V, R_L = 1k, A_V = 50$	$\pm 6.7$	$\pm 7.0$		
		$V_S = \pm 8V, R_L = 300\Omega, A_V = 50$ , (Note 3)	$\pm 6.4$	$\pm 6.8$		
$G_E$	Gain Error	$V_0 = \pm 1.0V, A_V = 10$		1.0	3.5	%
SR	Slew Rate	(Note 6, 10)	150	220		$\text{V}/\mu\text{s}$
FPBW	Full Power Bandwidth	$V_0 = 2V_{P-P}$ , (Note 7)		35		MHz
BW	Small Signal Bandwidth	$A_V = 10$		35		MHz
$t_r, t_f$	Rise Time, Fall Time	$A_V = 50, V_0 = \pm 1.5V$ , 20% to 80% (Note 10)	35	50	75	ns
$t_{PD}$	Propagation Delay	$R_L = 1k, V_0 = \pm 125mV$ , 50% to 50%		12		ns
	Overshoot	$V_0 = \pm 50mV$		10		%
$t_s$	Settling Time	3V Step, 0.1%, (Note 8)		1		$\mu\text{s}$
Diff $A_V$	Differential Gain	$R_L = 1k, A_V = 10$ , (Note 9)		0.6		%
Diff Ph	Differential Phase	$R_L = 1k, A_V = 10$ , (Note 9)		0.75		DEG <sub>P-P</sub>
$I_S$	Supply Current			13	16	mA
	Shutdown Supply Current	Pin 5 at $V^-$		0.8	1.5	mA

### ±5V ELECTRICAL CHARACTERISTICS $T_A = 25^\circ\text{C}$ , (Note 3)

$V_S = \pm 5\text{V}$ ,  $V_{REF} = 0\text{V}$ ,  $R_{FB1} = 900\Omega$  from pins 6 to 8,  $R_{FB2} = 100\Omega$  from pin 8 to ground,  $R_L = R_{FB1} + R_{FB2} = 1\text{k}$ ,  $C_L \leq 10\text{pF}$ , pin 5 open.

SYMBOL	PARAMETER	CONDITIONS	LT1189M/C			UNITS
			MIN	TYP	MAX	
$I_{S/D}$	Shutdown Pin Current	Pin 5 at $V^-$		5	25	$\mu\text{A}$
$t_{on}$	Turn On Time	Pin 5 from $V^-$ to Ground, $R_L = 1\text{k}$		500		ns
$t_{off}$	Turn Off Time	Pin 5 from Ground to $V^-$ , $R_L = 1\text{k}$		600		ns

### 5V ELECTRICAL CHARACTERISTICS $T_A = 25^\circ\text{C}$ , (Note 3)

$V_S^+ = 5\text{V}$ ,  $V_S^- = 0\text{V}$ ,  $V_{REF} = 2.5\text{V}$ ,  $R_{FB1} = 900\Omega$  from pins 6 to 8,  $R_{FB2} = 100\Omega$  from pin 8 to  $V_{REF}$ ,  $R_L = R_{FB1} + R_{FB2} = 1\text{k}$ ,  $C_L \leq 10\text{pF}$ , pin 5 open.

SYMBOL	PARAMETER	CONDITIONS	LT1189M/C			UNITS
			MIN	TYP	MAX	
$V_{OS}$	Input Offset Voltage	Either Input, (Note 4) SOIC Package		1.0	3.0	mV
				1.0	5.0	mV
$I_{OS}$	Input Offset Current	Either Input		0.2	1.0	$\mu\text{A}$
$I_B$	Input Bias Current	Either Input		$\pm 0.5$	$\pm 2.0$	$\mu\text{A}$
	Input Voltage Range		2.0		3.5	V
CMRR	Common-Mode Rejection Ratio	$V_{CM} = 2.0\text{V}$ to $3.5\text{V}$	80	100		dB
$V_{OUT}$	Output Voltage Swing	$R_L = 300\Omega$ to Ground (Note 3)	$V_{OUT}$ High	3.6	4.0	V
			$V_{OUT}$ Low		0.15	
SR	Slew Rate	$V_O = 1.5\text{V}$ to $3.5\text{V}$		175		$\text{V}/\mu\text{s}$
BW	Small-Signal Bandwidth	$A_V = 10$		30		MHz
$I_S$	Supply Current			12	15	mA
	Shutdown Supply Current	Pin 5 at $V^-$		0.8	1.5	mA
$I_{S/D}$	Shutdown Pin Current	Pin 5 at $V^-$		5	25	$\mu\text{A}$

### ±5V ELECTRICAL CHARACTERISTICS $-55^\circ\text{C} \leq T_A \leq 125^\circ\text{C}$ , (Note 3)

$V_S = \pm 5\text{V}$ ,  $V_{REF} = 0\text{V}$ ,  $R_{FB1} = 900\Omega$  from pins 6 to 8,  $R_{FB2} = 100\Omega$  from pin 8 to ground,  $R_L = R_{FB1} + R_{FB2} = 1\text{k}$ ,  $C_L \leq 10\text{pF}$ , pin 5 open.

SYMBOL	PARAMETER	CONDITIONS	LT1189M			UNITS
			MIN	TYP	MAX	
$V_{OS}$	Input Offset Voltage	Either Input, (Note 4)		1.0	7.5	mV
$\Delta V_{OS}/\Delta T$	Input $V_{OS}$ Drift			10		$\mu\text{V}/^\circ\text{C}$
$I_{OS}$	Input Offset Current	Either Input		0.2	1.5	$\mu\text{A}$
$I_B$	Input Bias Current	Either Input		$\pm 0.5$	$\pm 3.5$	$\mu\text{A}$
	Input Voltage Range		-2.5		3.5	V
CMRR	Common-Mode Rejection Ratio	$V_{CM} = -2.5\text{V}$ to $3.5\text{V}$	80	105		dB
PSRR	Power Supply Rejection Ratio	$V_S = \pm 2.375\text{V}$ to $\pm 8\text{V}$	65	90		dB
$V_{OUT}$	Output Voltage Swing	$V_S = \pm 5\text{V}$ , $R_L = 1\text{k}$ , $A_V = 50$	$\pm 3.7$	$\pm 4.0$	V	
		$V_S = \pm 8\text{V}$ , $R_L = 1\text{k}$ , $A_V = 50$	$\pm 6.6$	$\pm 7.0$		
		$V_S = \pm 8\text{V}$ , $R_L = 300\Omega$ , $A_V = 50$ , (Note 3)	$\pm 6.4$	$\pm 6.6$		
$G_E$	Gain Error	$V_O = \pm 1\text{V}$ , $A_V = 10$ , $R_L = 1\text{k}$		1.0	6.0	%
$I_S$	Supply Current			13	17	mA
	Shutdown Supply Current	Pin 5 at $V^-$ , (Note 11)		0.8	1.5	mA
$I_{S/D}$	Shutdown Pin Current	Pin 5 at $V^-$		5	25	$\mu\text{A}$

## ±5V ELECTRICAL CHARACTERISTICS $0^{\circ}\text{C} \leq T_A \leq 70^{\circ}\text{C}$ , (Note 3)

$V_S = \pm 5\text{V}$ ,  $V_{\text{REF}} = 0\text{V}$ ,  $R_{\text{FB1}} = 900\Omega$  from pins 6 to 8,  $R_{\text{FB2}} = 100\Omega$  from pin 8 to ground,  $R_L = R_{\text{FB1}} + R_{\text{FB2}} = 1\text{k}$ ,  $C_L \leq 10\text{pF}$ , pin 5 open.

SYMBOL	PARAMETER	CONDITIONS	LT1189C			UNITS
			MIN	TYP	MAX	
$V_{\text{OS}}$	Input Offset Voltage (Note 4)	Either Input SOIC Package		1.0	3.0	mV
				1.0	6.0	mV
$\Delta V_{\text{OS}}/\Delta T$	Input $V_{\text{OS}}$ Drift			5.0		$\mu\text{V}/^{\circ}\text{C}$
$I_{\text{OS}}$	Input Offset Current	Either Input		0.2	1.5	$\mu\text{A}$
$I_{\text{B}}$	Input Bias Current	Either Input		$\pm 0.5$	$\pm 3.5$	$\mu\text{A}$
	Input Voltage Range		-2.5		3.5	V
CMRR	Common-Mode Rejection Ratio	$V_{\text{CM}} = -2.5\text{V}$ to $3.5\text{V}$	80	105		dB
PSRR	Power Supply Rejection Ratio	$V_S = \pm 2.375\text{V}$ to $\pm 8\text{V}$	70	90		dB
$V_{\text{OUT}}$	Output Voltage Swing	$V_S = \pm 5\text{V}$ , $R_L = 1\text{k}$ , $A_V = 50$	$\pm 3.7$	$\pm 4.0$		V
		$V_S = \pm 8\text{V}$ , $R_L = 1\text{k}$ , $A_V = 50$	$\pm 6.6$	$\pm 7.0$		
		$V_S = \pm 8\text{V}$ , $R_L = 300\Omega$ , $A_V = 50$ , (Note 3)	$\pm 6.4$	$\pm 6.6$		
$G_E$	Gain Error	$V_O = \pm 1\text{V}$ , $A_V = 10$ , $R_L = 1\text{k}$		1.0	3.5	%
$I_S$	Supply Current			13	17	mA
	Shutdown Supply Current	Pin 5 at $V^-$ , (Note 11)		0.8	1.5	mA
$I_{\text{S/D}}$	Shutdown Pin Current	Pin 5 at $V^-$		5	25	$\mu\text{A}$

## 5V ELECTRICAL CHARACTERISTICS $0^{\circ}\text{C} \leq T_A \leq 70^{\circ}\text{C}$ , (Note 3)

$V_S^+ = +5\text{V}$ ,  $V_S^- = 0\text{V}$ ,  $V_{\text{REF}} = 2.5\text{V}$ ,  $R_{\text{FB1}} = 900\Omega$  from pins 6 to 8,  $R_{\text{FB2}} = 100\Omega$  from pin 8 to  $V_{\text{REF}}$ ,  $R_L = R_{\text{FB1}} + R_{\text{FB2}} = 1\text{k}$ ,  $C_L \leq 10\text{pF}$ , pin 5 open.

SYMBOL	PARAMETER	CONDITIONS	LT1189C			UNITS
			MIN	TYP	MAX	
$V_{\text{OS}}$	Input Offset Voltage, (Note 4)	Either Input		1.0	3.0	mV
$\Delta V_{\text{OS}}/\Delta T$	Input $V_{\text{OS}}$ Drift			5.0		$\mu\text{V}/^{\circ}\text{C}$
$I_{\text{OS}}$	Input Offset Current	Either Input		0.2	1.5	$\mu\text{A}$
$I_{\text{B}}$	Input Bias Current	Either Input		$\pm 0.5$	$\pm 3.5$	$\mu\text{A}$
	Input Voltage Range		2.0		3.5	V
CMRR	Common-Mode Rejection Ratio	$V_{\text{CM}} = 2.0\text{V}$ to $3.5\text{V}$	80	100		dB
$V_{\text{OUT}}$	Output Voltage Swing	$R_L = 300\Omega$ to Ground (Note 3)	$V_{\text{OUT}}$ High	3.5	4.0	V
			$V_{\text{OUT}}$ Low		0.15	0.4
$I_S$	Supply Current			12	16	mA
	Shutdown Supply Current	Pin 5 at $V^-$ , (Note 11)		0.8	1.5	mA
$I_{\text{S/D}}$	Shutdown Pin Current	Pin 5 at $V^-$		5	25	$\mu\text{A}$

**Note 1:** A heat sink may be required to keep the junction temperature below absolute maximum when the output is shorted continuously.

**Note 2:**  $T_J$  is calculated from the ambient temperature  $T_A$  and power dissipation  $P_D$  according to the following formulas:

$$\begin{aligned} \text{LT1189MJ8, LT1189CJ8: } & T_J = T_A + (P_D \times 100^{\circ}\text{C}/\text{W}) \\ \text{LT1189CN8: } & T_J = T_A + (P_D \times 100^{\circ}\text{C}/\text{W}) \\ \text{LT1189CS8: } & T_J = T_A + (P_D \times 150^{\circ}\text{C}/\text{W}) \end{aligned}$$

**Note 3:** When  $R_L = 1\text{k}$  is specified, the load resistor is  $R_{\text{FB1}} + R_{\text{FB2}}$ , but when  $R_L = 300\Omega$  is specified, then an additional  $430\Omega$  is added to the output such that  $(R_{\text{FB1}} + R_{\text{FB2}})$  in parallel with  $430\Omega$  is  $R_L = 300\Omega$ .

**Note 4:**  $V_{\text{OS}}$  measured at the output (pin 6) is the contribution from both input pair, and is input referred.

**Note 5:**  $V_{\text{IN LIM}}$  is the maximum voltage between  $-V_{\text{IN}}$  and  $+V_{\text{IN}}$  (pin 2 and pin 3) for which the output can respond.

**Note 6:** Slew rate is measured between  $\pm 1\text{V}$  on the output, with a  $V_{\text{IN}}$  step of  $\pm 0.5\text{V}$ ,  $A_V = 10$  and  $R_L = 1\text{k}$ .

**Note 7:** Full power bandwidth is calculated from the slew rate measurement:  $\text{FPBW} = \text{SR}/2\pi V_p$ .

**Note 8:** Settling time measurement techniques are shown in "Take the Guesswork Out of Settling Time Measurements," EDN, September 19, 1985.

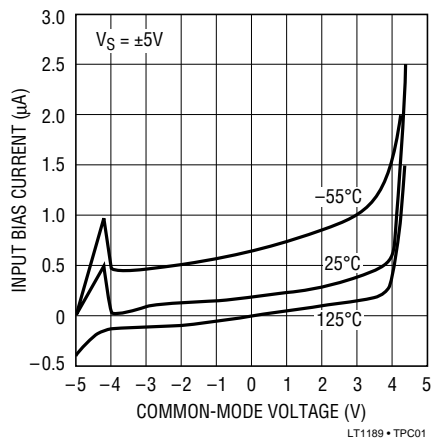
**Note 9:** NTSC (3.58MHz).

**Note 10:** AC parameters are 100% tested on the ceramic and plastic DIP packaged parts (J8 and N8 suffix) and are sample tested on every lot of the SO packaged parts (S8 suffix).

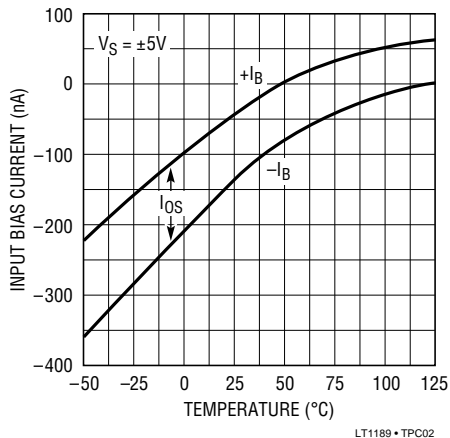
**Note 11:** See Application section for shutdown at elevated temperatures. Do not operate shutdown above  $T_J > 125^{\circ}\text{C}$ .

# TYPICAL PERFORMANCE CHARACTERISTICS

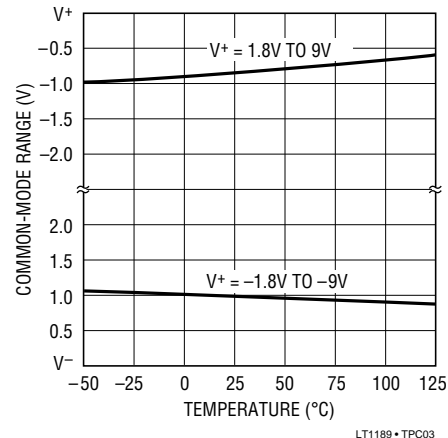
**Input Bias Current vs Common-Mode Voltage**



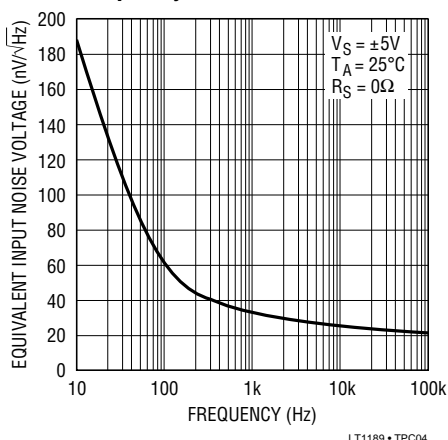
**Input Bias Current vs Temperature**



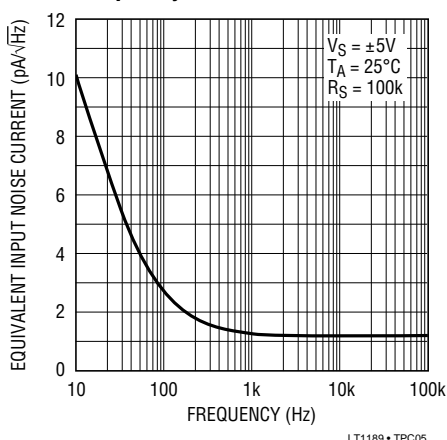
**Common-Mode Voltage vs Temperature**



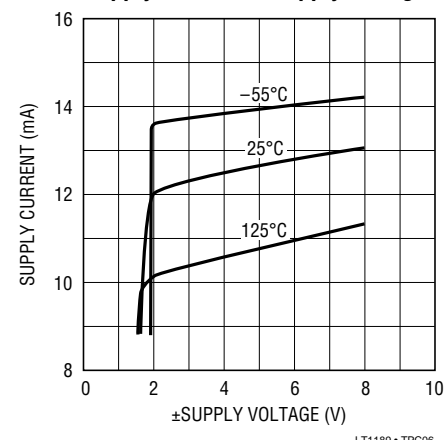
**Equivalent Input Noise Voltage vs Frequency**



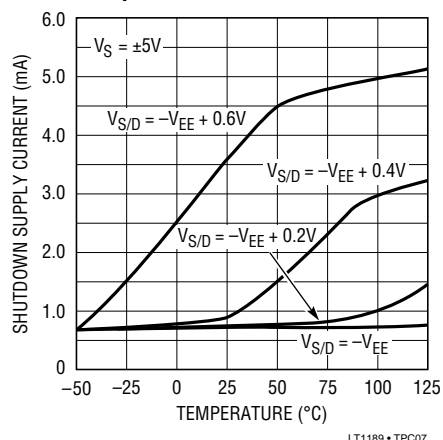
**Equivalent Input Noise Current vs Frequency**



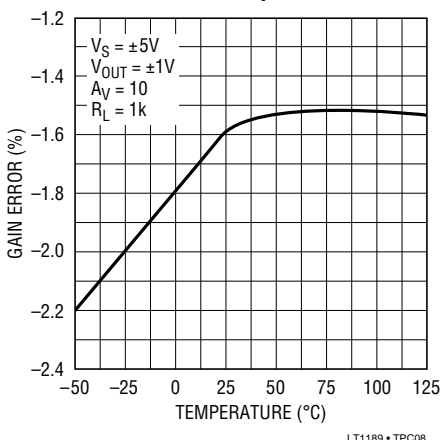
**Supply Current vs Supply Voltage**



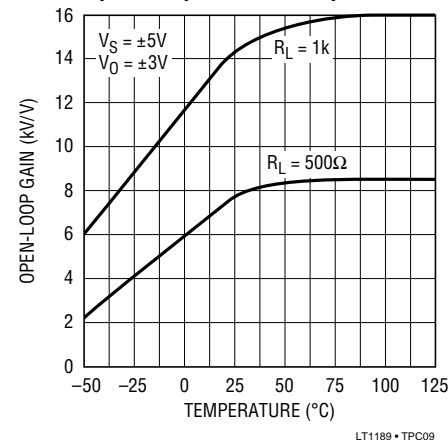
**Shutdown Supply Current vs Temperature**



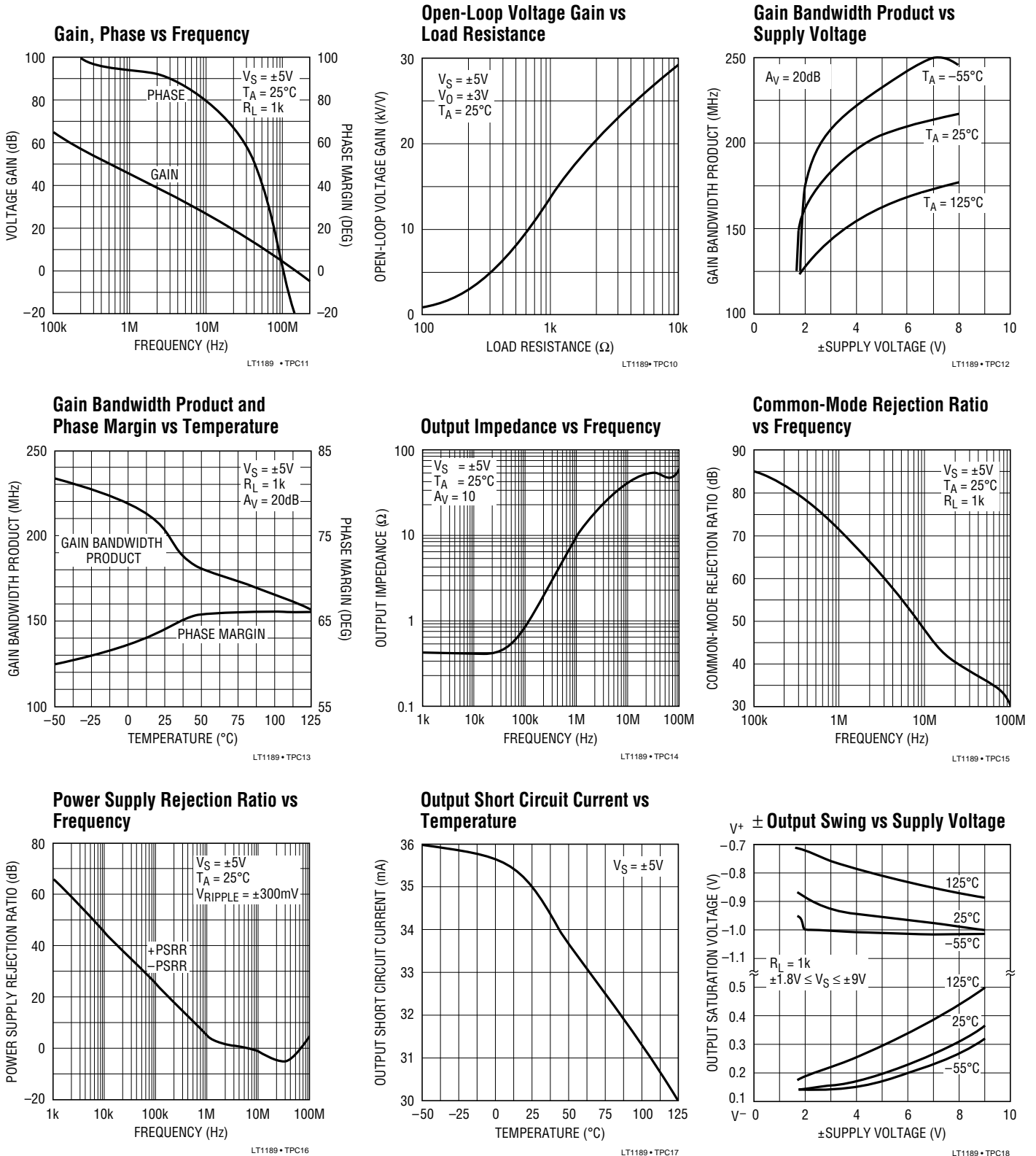
**Gain Error vs Temperature**



**Open-Loop Gain vs Temperature**

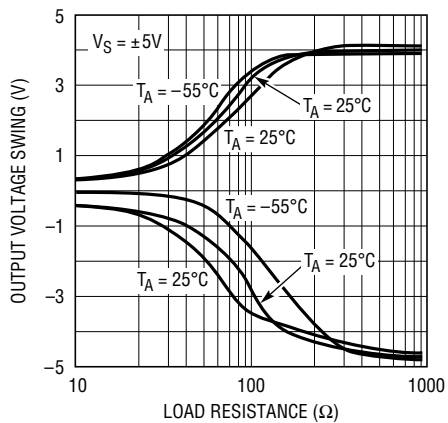


# TYPICAL PERFORMANCE CHARACTERISTICS



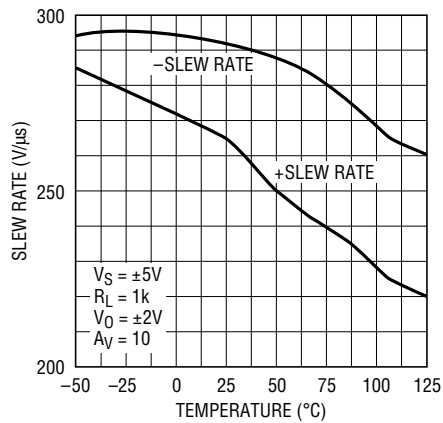
# TYPICAL PERFORMANCE CHARACTERISTICS

**Output Voltage Swing vs Load Resistance**



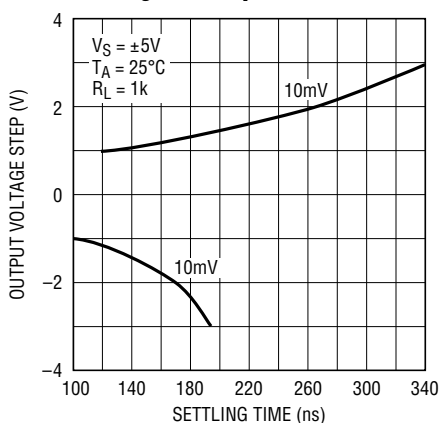
LT1189 • TPC19

**Slew Rate vs Temperature**



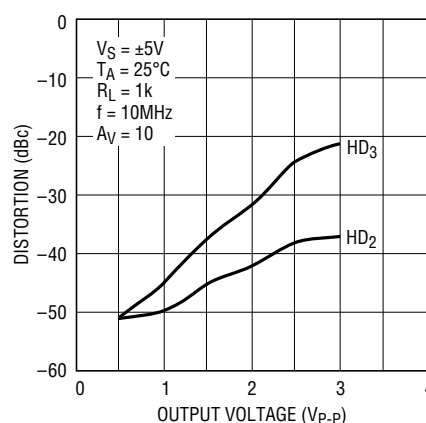
LT1189 • TPC20

**Output Voltage Step vs Settling Time,  $A_V = 10$**



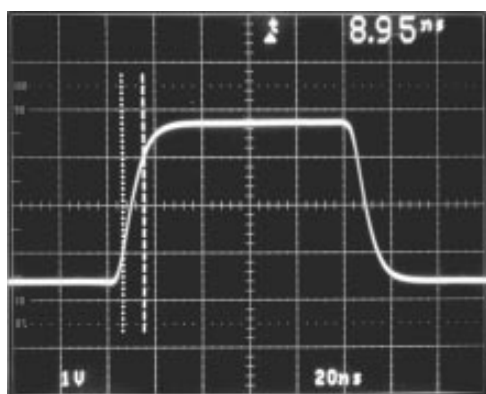
LT1189 • TPC21

**Harmonic Distortion vs Output Level**



LT1189 • TPC22

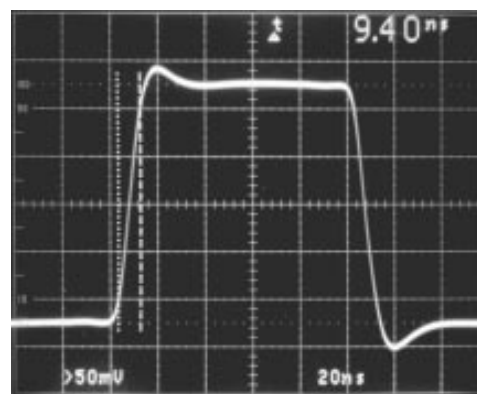
**Large-Signal Transient Response**



$A_V = 10$ ,  $R_L = 1k$ ,  $+SR = 223V/\mu s$ ,  $-SR = 232V/\mu s$

LT1189 • TPC23

**Small-Signal Transient Response**



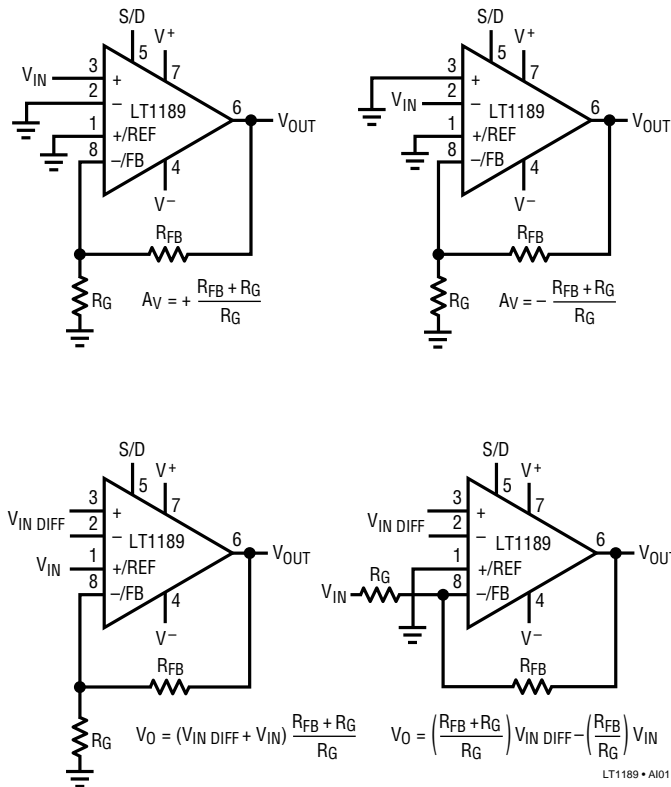
$A_V = 10$ ,  $R_L = 1k$ ,  $t_r = 9.40ns$

LT1189 • TPC24

## APPLICATIONS INFORMATION

The primary use of the LT1189 is in converting high speed differential signals to a single-ended output. The LT1189 video difference amplifier has two uncommitted high input impedance (+) and (-) inputs. The amplifier has another set of inputs which can be used for reference and feedback. Additionally, this set of inputs give gain adjust, and DC control to the differential amplifier. The voltage gain of the LT1189 is set like a conventional operational amplifier. Feedback is applied to pin 8, and it is optimized for gains of 10 or greater. The amplifier can be operated single-ended by connecting either the (+) or (-) inputs to the +/REF (pin 1). The voltage gain is set by the resistors:  $(R_{FB} + R_G)/R_G$ .

Like the single-ended case, the differential voltage gain is set by the external resistors:  $(R_{FB} + R_G)/R_G$ . The maximum input differential signal for which the output will respond is approximately  $\pm 170\text{mV}$ .



### Power Supply Bypassing

The LT1189 is quite tolerant of power supply bypassing. In some applications a  $0.1\mu\text{F}$  ceramic disc capacitor placed 1/2 inch from the amplifier is all that is required. In applications requiring good settling time, it is important to use multiple bypass capacitors. A  $0.1\mu\text{F}$  ceramic disc in parallel with a  $4.7\mu\text{F}$  tantalum is recommended.

### Calculating the Output Offset Voltage

Both input stages contribute to the output offset voltage at pin 6. The feedback correction forces balance in the input stages by introducing an Input  $V_{OS}$  at pin 8. The complete expression for the output offset voltage is:

$$V_{OUT} = (V_{OS} + I_{OS}(R_S) + I_B(R_{REF})) \times (R_{FB} + R_G)/R_G + I_B(R_{FB})$$

$R_S$  represents the input source resistance, typically  $75\Omega$ , and  $R_{REF}$  represents finite source impedance from the DC reference voltage, for  $V_{REF}$  grounded,  $R_{REF} = 0\Omega$  the  $I_{OS}$  is normally a small contributor and the expression simplifies to:

$$V_{OUT} = V_{OS}(R_{FB} + R_G)/R_G + I_B(R_{FB})$$

If  $R_{FB}$  is limited to  $1\text{k}$ , the last term of the equation contributes only  $2\text{mV}$  since  $I_B$  is less than  $2\mu\text{A}$ .

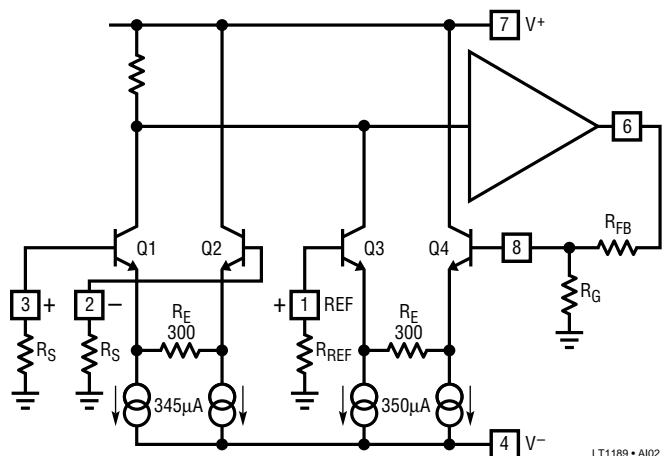


Figure 1. Simplified Input Stage Schematic

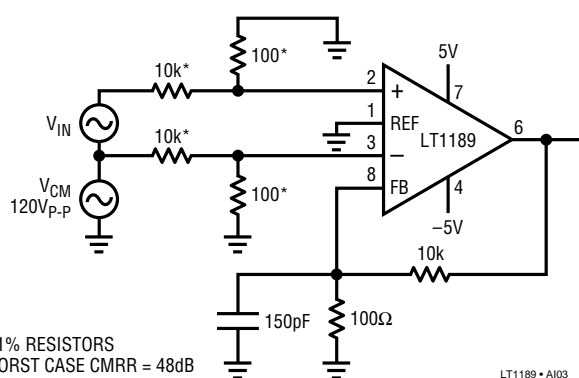


## APPLICATIONS INFORMATION

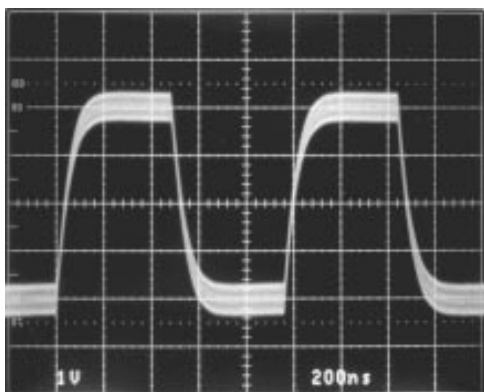
### Instrumentation Amplifier Rejects High Voltage

Instrumentation amplifiers are often used to process slowly varying outputs from transducers. With the LT1189 it is easy to make an instrumentation amplifier that can respond to rapidly varying signals. Attenuation resistors in front of the LT1189 allow very large common-mode signals to be rejected while maintaining good frequency response. The input common-mode and differential-mode signals are reduced by 100:1, while the closed-loop gain is set to be 100, thereby maintaining unity-gain input to output. The unique topology allows for frequency response boost by adding 150pF to pin 8 as shown.

#### 3.5MHz Instrumentation Amplifier Rejects 120V<sub>P-P</sub>

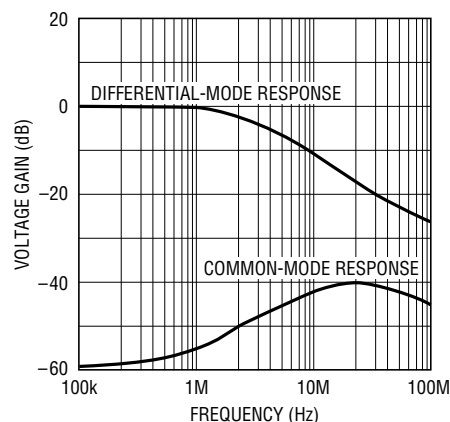


#### Output of Instrumentation Amplifier with 1MHz Square Wave Riding on 120V<sub>P-P</sub> at the Input



LT1189 • A104

### High Voltage Instrumentation Amplifier Response



### Operating with Low Closed-Loop Gain

The LT1189 has been optimized for closed-loop gains of 10 or greater. The amplifier can be operated at much lower closed-loop gains with the aid of a capacitor  $C_{FB}$  across the feedback resistor, (feedback zero). This capacitor lowers the closed-loop 3dB bandwidth. The bandwidth cannot be made arbitrarily low because  $C_{FB}$  is a short at high frequency and the amplifier will appear configured unity-gain. As an approximate guideline, make  $BW \times A_{VCL} = 200\text{MHz}$ . This expression expands to:

$$\frac{A_{VCL}}{2\pi(R_{FB})(C_{FB})} = 200\text{MHz}$$

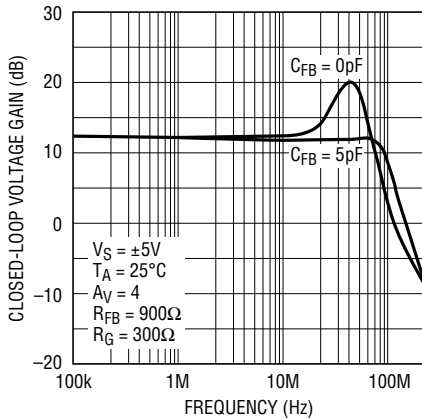
or:

$$C_{FB} = \frac{A_{VCL}}{(200\text{MHz})(2\pi)(R_{FB})}$$

The effect of the feedback zero on the transient and frequency response is shown for  $A_V = 4$ .

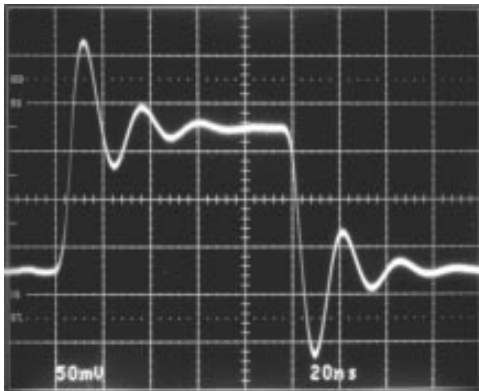
## APPLICATIONS INFORMATION

### Closed-Loop Voltage Gain vs Frequency



LT1189 • A106

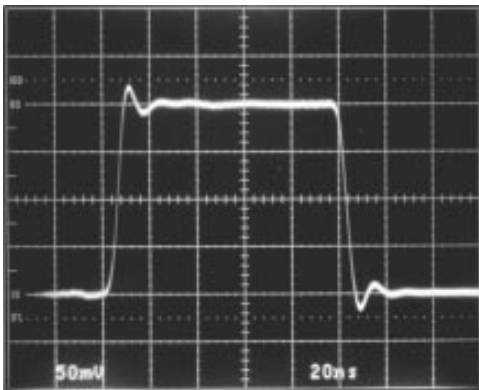
### Small-Signal Transient Response



$A_V = 4$ ,  $R_{FB} = 910\Omega$ ,  $R_G = 300\Omega$

LT1189 • A107

### Small-Signal Transient Response



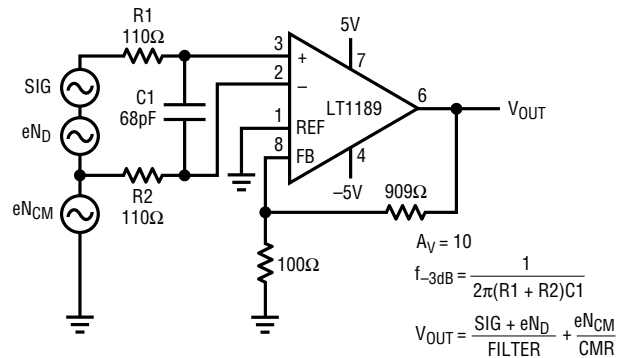
$A_V = 4$ ,  $R_{FB} = 910\Omega$ ,  $R_G = 300\Omega$ ,  $C_{FB} = 5pF$

LT1189 • A108

### Reducing the Closed-Loop Bandwidth

Although it is possible to reduce the closed-loop bandwidth by using a feedback zero, instability can occur if the bandwidth is made too low. An alternate technique is to do differential filtering at the input of the amplifier. This technique filters the differential input signal, and the differential noise, but does not filter common-mode noise. Common-mode noise is rejected by the LT1189's CMRR.

### 10MHz Bandwidth Limited Amplifier



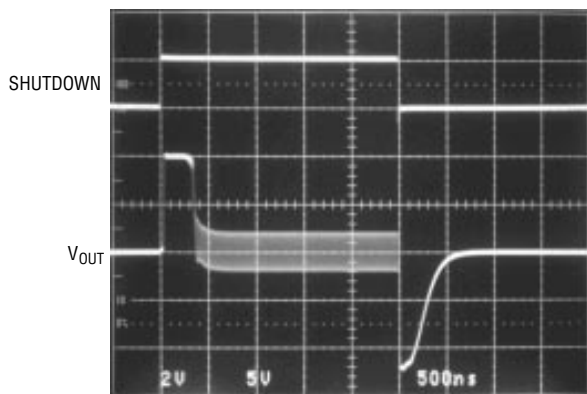
LT1189 • A109

### Using the Shutdown Feature

The LT1189 has a unique feature that allows the amplifier to be shutdown for conserving power, or for multiplexing several amplifiers onto a common cable. The amplifier will shutdown by taking pin 5 to  $V^-$ . In shutdown, the amplifier dissipates 15mW while maintaining a true high impedance output state of about 20kΩ in parallel with the feedback resistors. For MUX applications, the amplifiers may be configured inverting, non-inverting, or differential. When the output is loaded with as little as 1kΩ from the amplifier's feedback resistors, the amplifier shuts off in 600ns. This shutoff can be under the control of HC CMOS operating between 0V and -5V.

## APPLICATIONS INFORMATION

1MHz Sine Wave Gated Off with Shutdown Pin



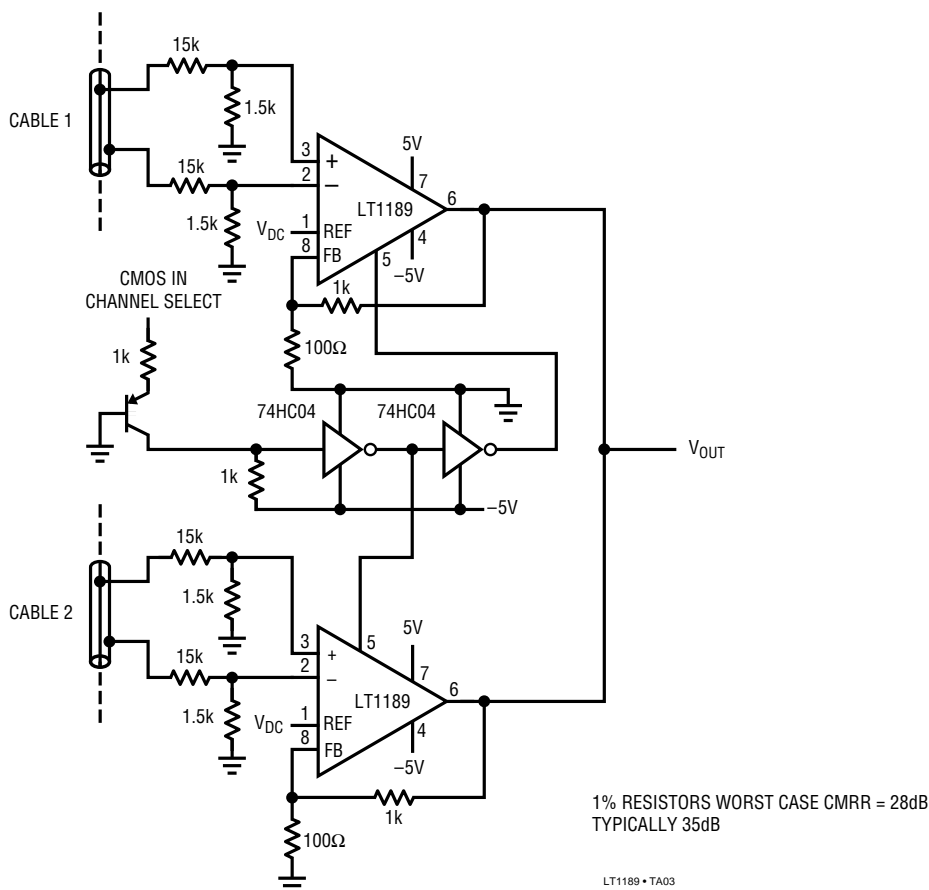
$A_V = 10$ ,  $R_{FB} = 900\Omega$ ,  $R_G = 100\Omega$

LT1189 • A110

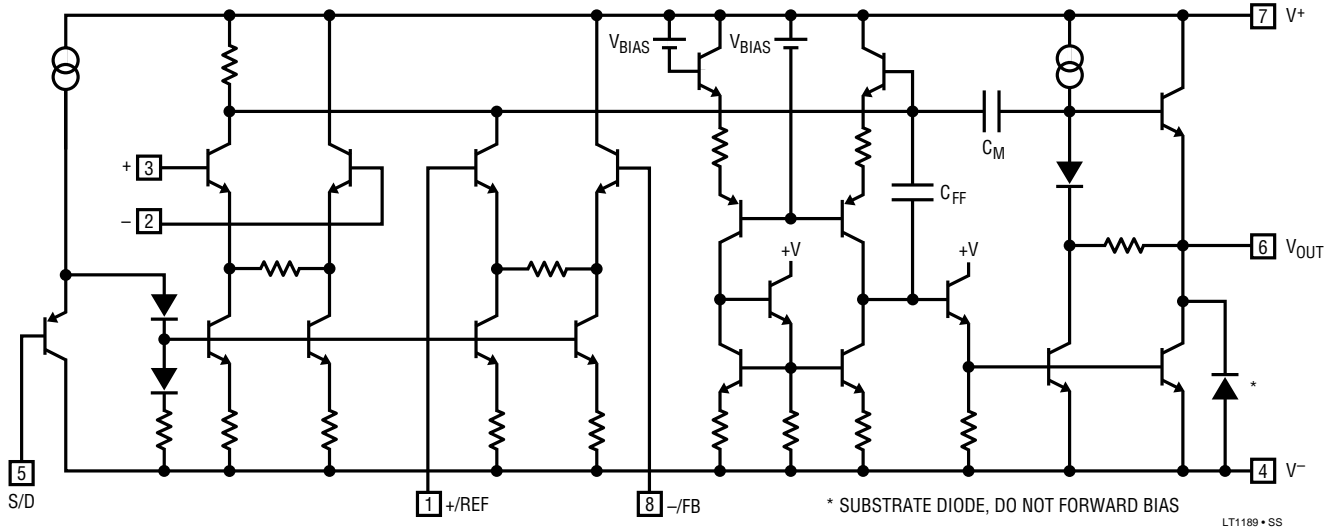
The ability to maintain shutoff is shown on the curve Shut down Supply Current vs Temperature in the Typical Performance Characteristics section. At very high elevated temperature it is important to hold the shutdown pin close to the negative supply to keep the supply current from increasing.

## TYPICAL APPLICATION

Differential Receiver MUX for Power Down Applications



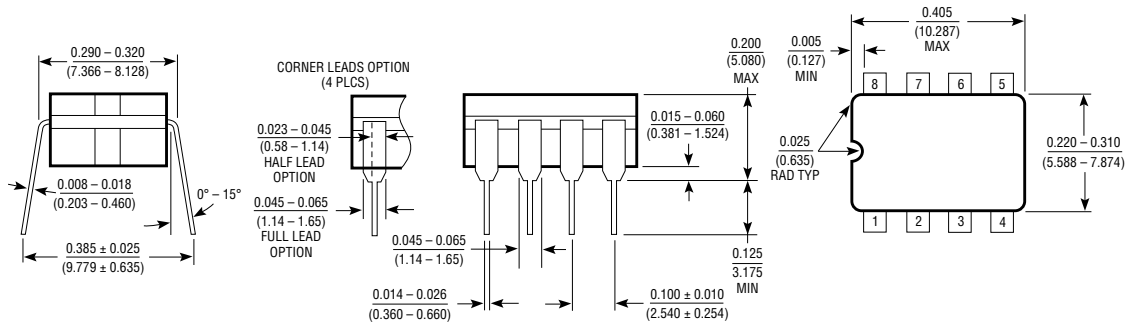
# SIMPLIFIED SCHEMATIC



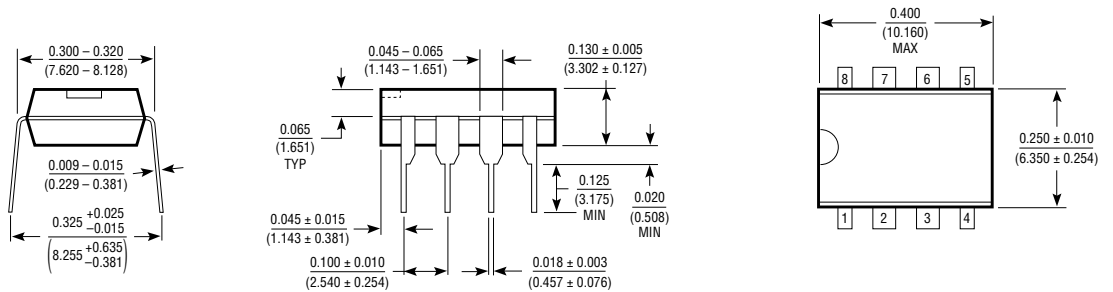
# PACKAGE DESCRIPTION

Dimensions in inches (millimeters) unless otherwise noted.

**J8 Package**  
8-Lead Hermetic DIP



**N8 Package**  
8-Lead Plastic DIP



**S8 Package**  
8-Lead Plastic SOIC

