


SANYO Semiconductors

DATA SHEET

An ON Semiconductor Company

LV56351HA — Bi-CMOS IC 1ch DC/DC boost converter

Overview

LV56351HA integrates 1ch DC/DC boost converter and 1ch LDO. It is suitable as the power supply for BS/CS antennas of LCD/PDP TV and BD recorders that require automatic recovery without IC destruction and malfunction when the output is short-circuited.

Functions

[DC/DC boost converter]

- Soft-start time: 2.8ms
- Frequency 425kHz operation
- Pulse by pulse over current limiter
- Short circuit protector (SCP)

[LDO]

- Over current limiter (Fold back)

[All]

- Under voltage lockout
- Thermal shutdown protector
- Power good

Specifications

Maximum Ratings at $T_a = 25^\circ\text{C}$

Parameter	Symbol	Conditions	Ratings	Unit
V_{CC} maximum supply voltage	$V_{CC\ max}$		-0.3 to 25	V
LDOIN maximum input voltage	$V_{LDOIN\ max}$		-0.3 to 30	V
SW maximum voltage	$V_{SW\ max}$		-0.3 to 30	V
Allowable power dissipation	$P_d\ max$	*1	1.45	W
Operating temperature	T_{opr}		-30 to +85	$^\circ\text{C}$
Operating junction temperature	T_{jopr}		-30 to +125	$^\circ\text{C}$
Storage temperature	T_{stg}		-40 to +150	$^\circ\text{C}$
Allowable pin voltage	V_{CC}, EN		25	V
	SW, LDOIN, LDOOUT		30	V
	IN1, IN2, FB, SCP, PGOOD, DDCTL		6	V

*1 Mounted on a specified board : 32mm × 38mm × 1.6mm, glass epoxy, double side board.

Caution 1) Absolute maximum ratings represent the value which cannot be exceeded for any length of time.

Caution 2) Even when the device is used within the range of absolute maximum ratings, as a result of continuous usage under high temperature, high current, high voltage, or drastic temperature change, the reliability of the IC may be degraded. Please contact us for the further details.

■ Any and all SANYO Semiconductor Co.,Ltd. products described or contained herein are, with regard to "standard application", intended for the use as general electronics equipment. The products mentioned herein shall not be intended for use for any "special application" (medical equipment whose purpose is to sustain life, aerospace instrument, nuclear control device, burning appliances, transportation machine, traffic signal system, safety equipment etc.) that shall require extremely high level of reliability and can directly threaten human lives in case of failure or malfunction of the product or may cause harm to human bodies, nor shall they grant any guarantee thereof. If you should intend to use our products for new introduction or other application different from current conditions on the usage of automotive device, communication device, office equipment, industrial equipment etc. , please consult with us about usage condition (temperature, operation time etc.) prior to the intended use. If there is no consultation or inquiry before the intended use, our customer shall be solely responsible for the use.

■ Specifications of any and all SANYO Semiconductor Co.,Ltd. products described or contained herein stipulate the performance, characteristics, and functions of the described products in the independent state, and are not guarantees of the performance, characteristics, and functions of the described products as mounted in the customer's products or equipment. To verify symptoms and states that cannot be evaluated in an independent device, the customer should always evaluate and test devices mounted in the customer's products or equipment.

SANYO Semiconductor Co., Ltd.
<http://www.sanyosemi.com/en/network/>

LV56351HA

Recommended Operating Conditions at Ta = 25°C

Parameter	Symbol	Conditions	Ratings	Unit
V _{CC} supply voltage	V _{CC}		8 to 23	V
LDOIN input voltage	V _{LDOIN}		8 to 28	V
SW voltage	V _{SW}		-0.3 to 28	V
EN voltage	V _{EN}		0 to 23	V

Electrical Characteristics at Ta = 25°C, V_{CC} = 12V, V_{EN}=2V, LDOIN=16V, LDOOUT=15V

Parameter	Symbol	Conditions	Ratings			Unit
			min	typ	max	
All						
Supply current1	I _{CC}	Switching is turned off		1.8	3.5	mA
Supply current2	I _{OFF}	EN = 0V			10	μA
Reference voltage	V _{REF}		1.2348	1.26	1.2852	V
Enable voltage	V _{EN}		2.0			V
Disable voltage	V _{DIS}				0.4	V
EN input current	I _{EN}	V _{EN} = 2.0V			10	μA
PGOOD threshold	V _{PG}	IN1 ≥ V _{REF} ×85% and IN2 ≥ V _{REF} ×85%		V _{REF} ×0.85		V
PGOOD sink current	I _{PG}	V _{PGOOD} = 0.5V		1.0		mA
PGOOD leak current	I _{PGLK}	V _{PGOOD} = 2V			10	μA
UVLO on voltage	V _{UVLO}			7.0		V
Thermal shutdown temperature	T _{TSD}	*2	130			°C
TSD hysteresis	T _{HYS}	*2		30		°C
DC/DC boost converter						
FB output voltage "Low"	FB _{Low}	IN1 = 2.0V, I _{FB} = -20μA (Sink)			0.2	V
FB output voltage "High"	FB _{High}	IN1 = 0.2V, I _{FB} = 20μA (Source)	1.8			V
Soft-start time	T _{SS}			2.8		ms
Oscillator frequency	F _{OSC}			425		kHz
Max on duty	D _{MAX}		78	85	92	%
SW on resistance	R _{ON}			0.7		Ω
SW peak current	I _{PK}		1.5	1.8		A
SCP source current	I _{SCP}			4.8		μA
SCP threshold	V _{SCP}			V _{REF}		V
DDCTL on voltage	V _{DDCTLON}	DC/DC Off	2.0			V
DDCTL off voltage	V _{DDCTLOFF}	DC/DC On			0.4	V
DDCTL input current	I _{DDCTL}	V _{DDCTL} = 2V			20	μA
LDO						
Maximum output current	I _{OMAX}		350	520	670	mA
Line regulation	R _{LN}	16V < LDOIN < 21V			20	mV
Load regulation	R _{LD}	10mA < I _O < 300mA			20	mV
Dropout voltage	V _{DROP}	I _O = 300mA		0.25	0.4	V
Short current	I _{SHORT}	LDOOUT = GND			100	mA

*2: Design guarantee value.

LV56351HA

Pin function

Pin No.	Pin name	Function	Equivalent circuit
1 2 7	LDOOUT LDOIN SGND	LDO output LDO input Signal ground (*3)	
4	IN2	LDO feedback input	
5	IN1	DC/DC error amplifier input	
6	FB	DC/DC error amplifier output	
8	PGOOD	Power good output	
9	SCP	DC/DC SCP capacitor connect pin for timer setting	
10	DDCTL	DC/DC on and off control	
11 12	EN VCC	Enable Power supply	

*3: When you use this IC, Please short-circuit all the pins of SGND and PGND on the IC mounting side.

Continued on next page.

LV56351HA

Continued from preceding page.

Pin No.	Pin name	Function	Equivalent circuit
14	SW	DC/DC open drain output	
Fin	PGND	Power ground (*3)	

*3: When you use this IC, Please short-circuit all the pins of SGND and PGND on the IC mounting side.

Function overview

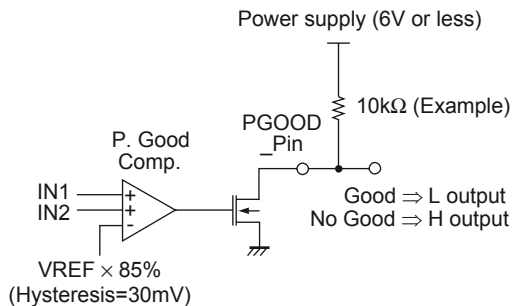
(1) UVLO (Under Voltage Lockout)

UVLO stops outputs of both DC/DC and LDO to prevent malfunction when V_{CC} decreases. UVLO operates when V_{CC} falls below the UVLO voltage. This function is a non-latch-type, and recovers these outputs automatically when V_{CC} exceeds the UVLO voltage.

(2) Power good

Power good notifies that the output voltages of DC/DC and LDO are within the range of the setting voltage. The two output voltages are monitored through the voltage of IN1 and IN2. The output is judged to be “power good” when both outputs are 85% or higher compared to the setting voltages. If either IN1 or IN2 voltage falls below $V_{REF} \times 85\%$, PGOOD output becomes L \rightarrow H (No Good). When IN1 and IN2 voltages become $(V_{REF} \times 85\%) + 30\text{mV}$ or higher, PGOOD output becomes H \rightarrow L (Good). During soft start, the output is H (No Good).

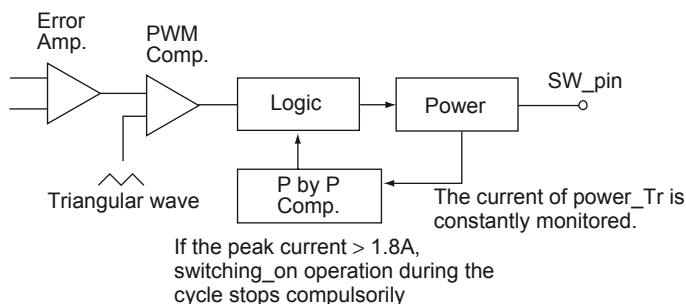
《Power good circuit diagram》



(3) Pulse-by-Pulse over current protection (P by P)

The P by P stops switch-on operation of a certain cycle by force when the current of power MOSFET reaches the maximum output peak current.

《P by P circuit diagram》



(4) Short Circuit Protector (SCP)

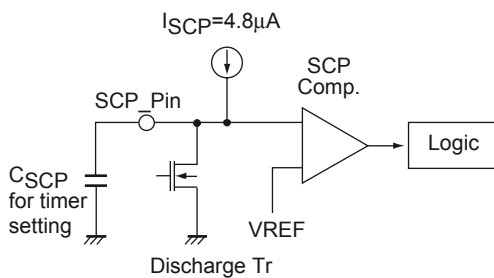
When output voltage of DC/DC decreases due to short-circuit; for example, SCP latches off the outputs of DC/DC and LDO by timer.

When output voltage of DC/DC decreases and FB turns to H, which is the error amplifier output, charge at $4.8\mu\text{A}$ constant current starts to SCP capacitor for timer setting. When SCP voltage exceeds the threshold voltage ($=V_{REF}$), latch-off occurs. If the output voltage recovers until the time the SCP voltage reaches to the threshold voltage, SCP capacitor is discharged and timer is reset. To restart the output after latch-off, you need to input EN signal again. If you do not use the SCP function, make sure to short SCP and GND.

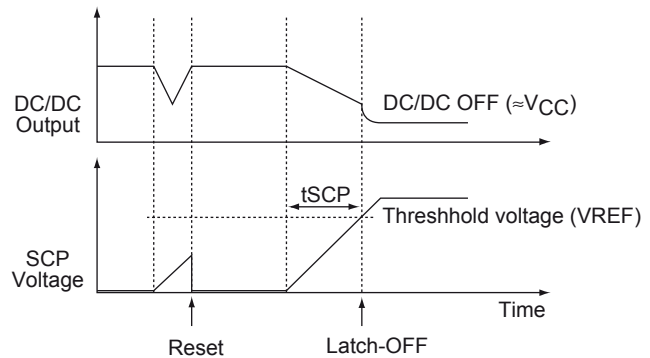
To define timer, you need to calculate a value of SCP capacitor using the following formula because timer (t_{SCP}) depends on capacitance.

$$C_{SCP} = (I_{SCP} \times t_{SCP}) / V_{REF}$$

⟨⟨SCP circuit diagram⟩⟩



⟨⟨Waveform of SCP_Pin⟩⟩



(5) DC/DC on and off control

This function controls on and off of DC/DC during the operation of IC.

⟨⟨Turning on DC/DC⟩⟩

Where DDCTL = Low or open, DC/DC and LDO operate at the same time.

⟨⟨Turning off DC/DC⟩⟩

Where DDCTL = High, DC/DC is compulsorily stopped and only LDO operates.

When DDCTL is switched from H to L (or open), LDO stops temporarily and DC/DC starts with soft start and then LDO restart. If you switch DDCTL during IC operation, make sure that the output waveforms of DC/DC and LDO are normal.

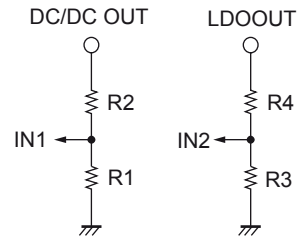
Output voltage setting

Output voltages are given by the following formulas.

$$\text{DCDCOUT} = (1 + R2/R1) \times VREF \text{ [V]}$$

$$\text{LDOOUT} = (1 + R4/R3) \times VREF \text{ [V]}$$

⟨⟨Resistance for output setting⟩⟩

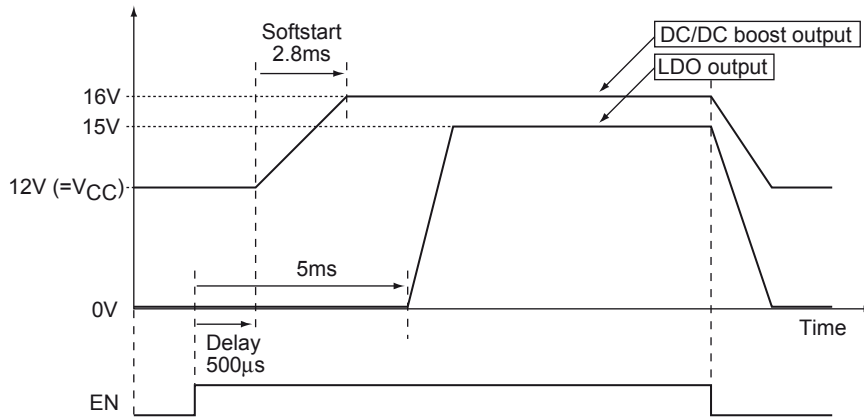


Start and stop

Start: Make sure to input EN signal (L ⇒ H) after supplying $V_{CC} = 12V$.

Stop: Reverse-operation of start.

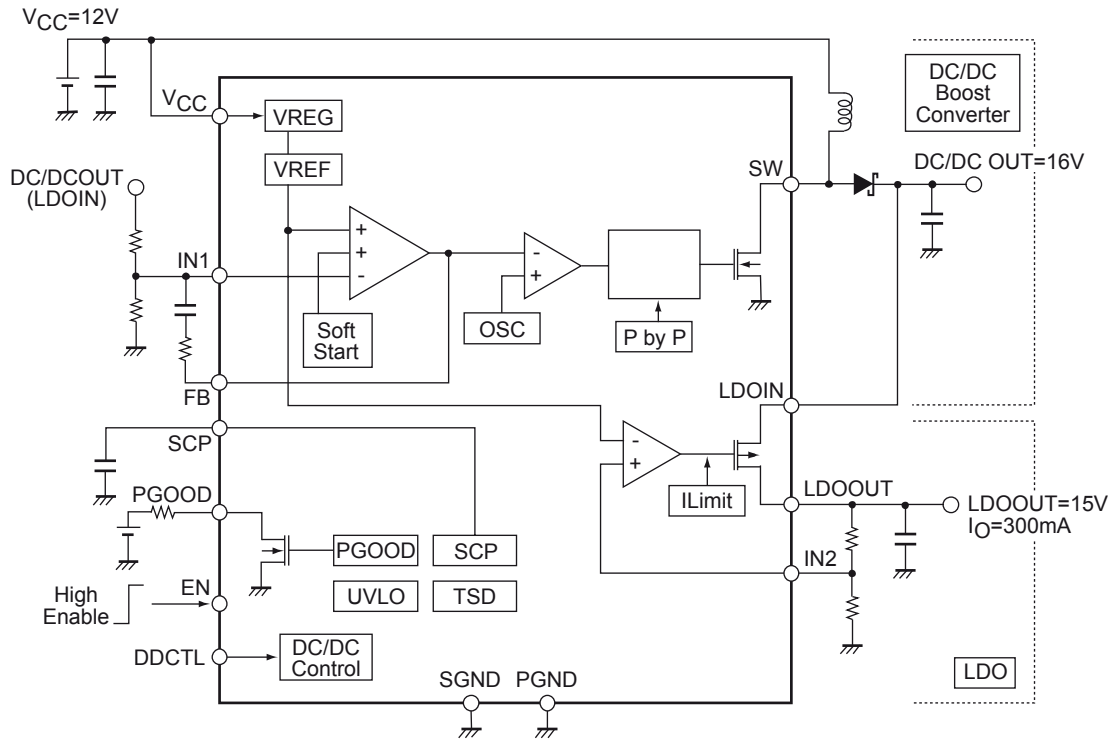
⟨⟨Output waveform during start and stop⟩⟩



LV56351HA

Block diagram and Application circuit 1 (for BS antenna)

Condition: $V_{CC} = 12V$, $DCDCOUT = 16V$, $LDOOUT = 15V$



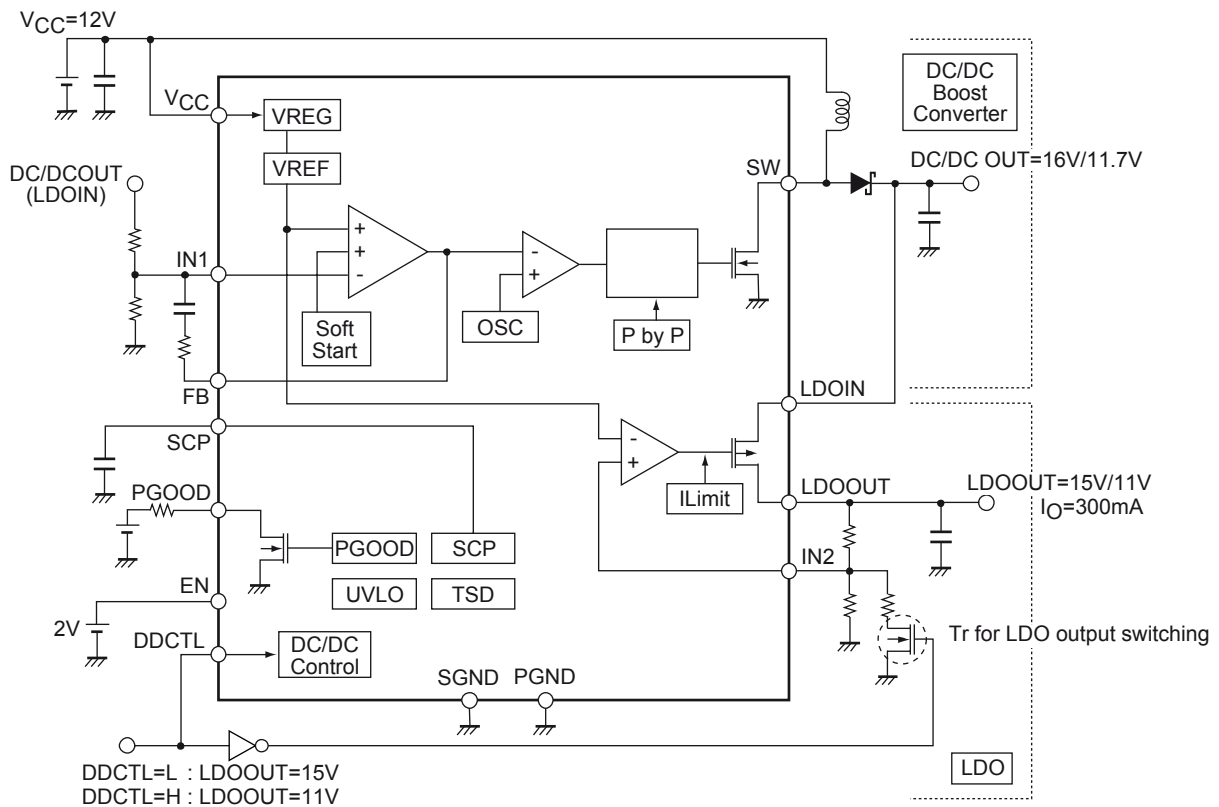
<<Note>>

When LDOOUT is in the over current state or the short-circuit state, IC and external parts are protected by over current limiter of LDO. And when DC/DCOUT is short-circuited, IC stops by timer latch-off type SCP function.

Application circuit 2 (for BS/CS antenna)

BS condition: $V_{CC} = 12V$, $DCDCOUT = 16V$, $LDOOUT = 15V$

CS condition: $V_{CC} = 12V$, $DCDC = OFF$, $LDOOUT = 11V$



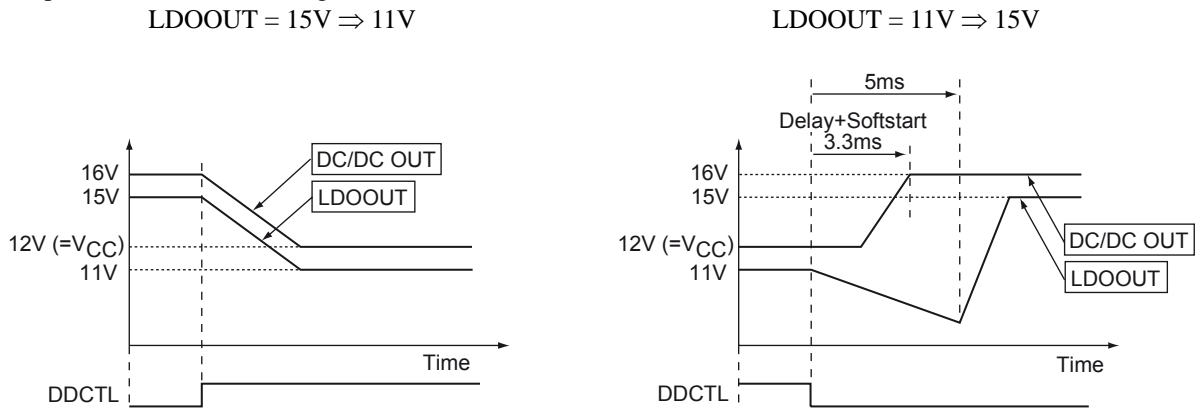
《(Addition)》

The above application circuit enables switching between 15V for BS and 11V for CS.

Where DDCTL=L, DC/DC booster is turned on and set as follows: DC/DCOUT=16V, LDOOUT=15V

Where DDCTL=H, DC/DC booster is turned off and set as follows: DC/DCOUT=11.7V, LDOOUT=11V
(because the resistance value of output setting of LDO is switched)

《(Output waveform at switching)》



- SANYO Semiconductor Co.,Ltd. assumes no responsibility for equipment failures that result from using products at values that exceed, even momentarily, rated values (such as maximum ratings, operating condition ranges, or other parameters) listed in products specifications of any and all SANYO Semiconductor Co.,Ltd. products described or contained herein.
- Regarding monolithic semiconductors, if you should intend to use this IC continuously under high temperature, high current, high voltage, or drastic temperature change, even if it is used within the range of absolute maximum ratings or operating conditions, there is a possibility of decrease reliability. Please contact us for a confirmation.
- SANYO Semiconductor Co.,Ltd. strives to supply high-quality high-reliability products, however, any and all semiconductor products fail or malfunction with some probability. It is possible that these probabilistic failures or malfunction could give rise to accidents or events that could endanger human lives, trouble that could give rise to smoke or fire, or accidents that could cause damage to other property. When designing equipment, adopt safety measures so that these kinds of accidents or events cannot occur. Such measures include but are not limited to protective circuits and error prevention circuits for safe design, redundant design, and structural design.
- In the event that any or all SANYO Semiconductor Co.,Ltd. products described or contained herein are controlled under any of applicable local export control laws and regulations, such products may require the export license from the authorities concerned in accordance with the above law.
- No part of this publication may be reproduced or transmitted in any form or by any means, electronic or mechanical, including photocopying and recording, or any information storage or retrieval system, or otherwise, without the prior written consent of SANYO Semiconductor Co.,Ltd.
- Any and all information described or contained herein are subject to change without notice due to product/technology improvement, etc. When designing equipment, refer to the "Delivery Specification" for the SANYO Semiconductor Co.,Ltd. product that you intend to use.
- Upon using the technical information or products described herein, neither warranty nor license shall be granted with regard to intellectual property rights or any other rights of SANYO Semiconductor Co.,Ltd. or any third party. SANYO Semiconductor Co.,Ltd. shall not be liable for any claim or suits with regard to a third party's intellectual property rights which has resulted from the use of the technical information and products mentioned above.

This catalog provides information as of October, 2012. Specifications and information herein are subject to change without notice.