

TA7709P, TA7709F

DUAL PREAMPLIFIERS (3V USE)

The TA7709P and TA7709F are dual preamplifier designed for use in a playback amplifier of low voltage operating tape recorder.

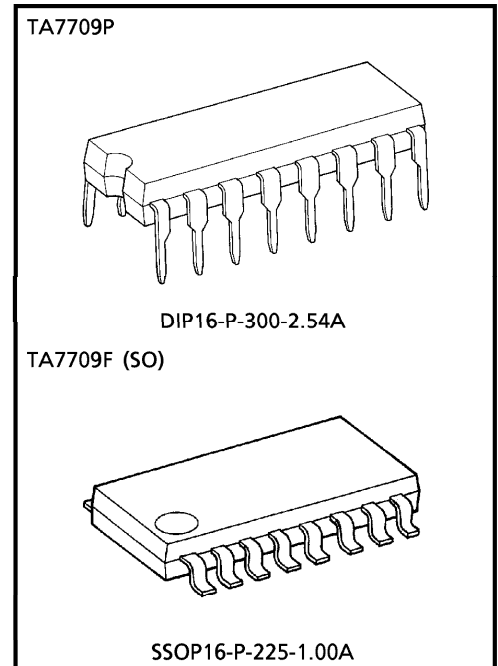
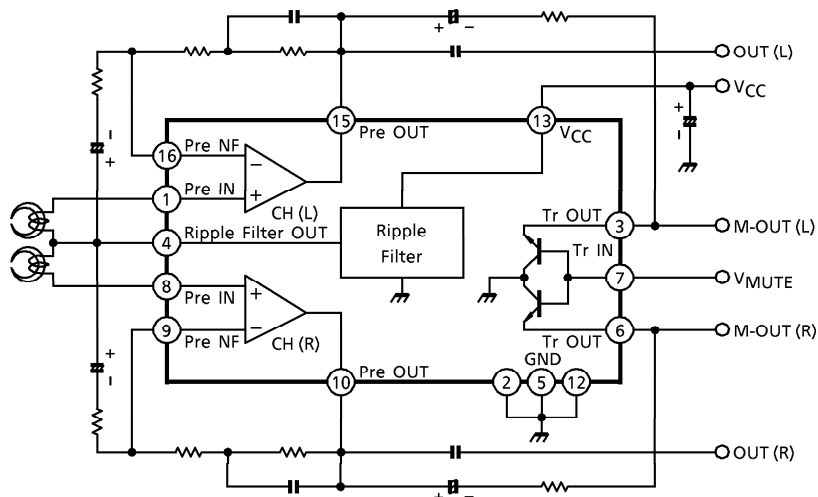
It is consist of two channels preamplifier and two transistors of collector common grounded.

They are prepared two type package.
(FLAT and Dual In-line package)

FEATURES

- High voltage gain at open loop.
: $G_{VO} = 85\text{dB}$ (Typ.) ($V_{CC} = 3\text{V}$, $f = 1\text{kHz}$)
- Non-necessary the input coupling condensers.
- Operating supply voltage range
: $V_{CC} = 1.6\sim 5\text{V}$ ($T_a = 25^\circ\text{C}$)
- TA7709F (SO) is standard model of flat package.

BLOCK DIAGRAM



Weight
 DIP16-P-300-2.54A : 1.00g (Typ.)
 SSOP16-P-225-1.00A : 0.14g (Typ.)

APPLICATION NOTE

- Input signals can be applied between pin① or ⑧ and pin④ as common without input coupling capacitors.
In case that input signals is applied between pin① or ⑧ and GND terminal, it is necessary that connecting input coupling capacitors, and starting time of amplifiers will increase.
- Test pin⑩ and ⑭ should not be connected to avoid malfunctions.
- Ripple rejection characteristics are shown in the attached paper. To keep good rejection ratio, a combination of the TA7709P, TA7709F and the TA7688F is recommendable.
In this case, the V_{CC} of the TA7709P, TA7709F is supplied by V_{RF} output of the TA7688F.

MAXIMUM RATINGS ($T_a = 25^\circ\text{C}$)

CHARACTERISTIC	SYMBOL	RATING	UNIT
Supply Voltage	V_{CC}	7	V
Power Dissipation	TA7709P	P_D (Note 1)	mW
	TA7709F		
Operating Temperature	T_{opr} (Note 2)	-25~75	$^\circ\text{C}$
Storage Temperature	T_{stg}	-55~150	$^\circ\text{C}$

(Note 1) Derated above $T_a = 25^\circ\text{C}$ in the proportion of $6\text{mW}/^\circ\text{C}$ for TA7709P, and of $2.8\text{mW}/^\circ\text{C}$ for TA7709F

(Note 2) At $T_a = -25^\circ\text{C}$, $V_{CC} \geq 1.7\text{V}$

ELECTRICAL CHARACTERISTICS (Unless otherwise specified, $V_{CC} = 3\text{V}$, $f = 1\text{kHz}$, $T_a = 25^\circ\text{C}$)

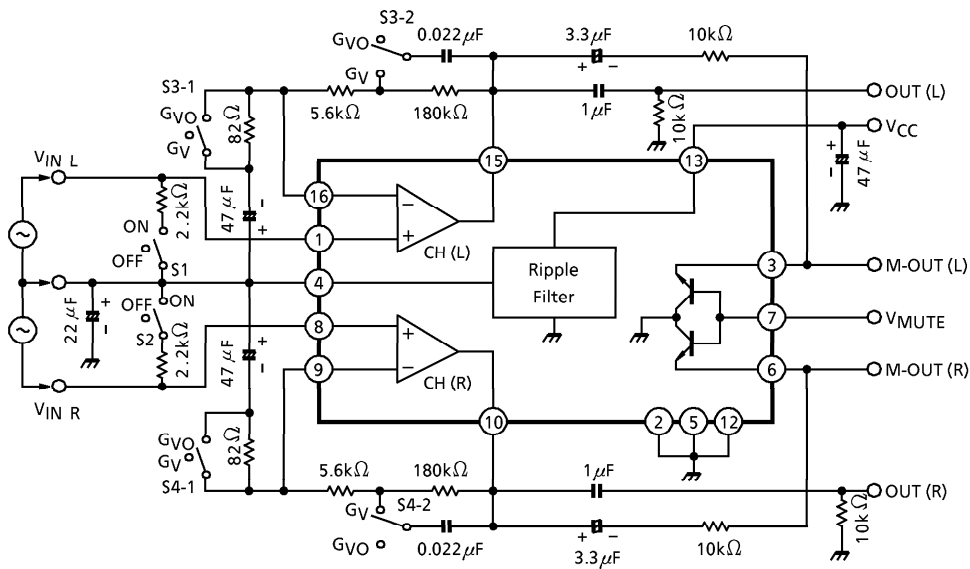
CHARACTERISTIC	SYMBOL	TEST CIRCUIT	TEST CONDITION	MIN.	TYP.	MAX.	UNIT
Quiescent Current	I_{CCQ}	—	$V_{in} = 0$	—	2.0	3.4	mA
Open Loop Voltage Gain	G_{VO}	—	$V_{in} = -60\text{dBV}$	70	85	—	dB
Maximum Output Voltage	V_{om}	—	THD = 1%	0.5	0.9	—	V_{rms}
Total Harmonic Distortion	THD	—	$V_O = 0.1V_{rms}$	—	0.07	0.5	%
Output Noise Voltage	V_{no}	—	$R_g = 2.2\text{k}\Omega$, $G_V = 40\text{dB}$ BPF = 50Hz~20kHz	—	0.14	0.22	mV_{rms}
Cross Talk	CT	—	$R_g = 600\Omega$, $V_O = -10\text{dBV}$	—	60	—	dB
Muting Attenuation	ATT	—	$V_{MUTE} = 1\text{V}$	—	43	—	dB
Input Resistance	R_{IN}	—	—	20	30	—	$\text{k}\Omega$

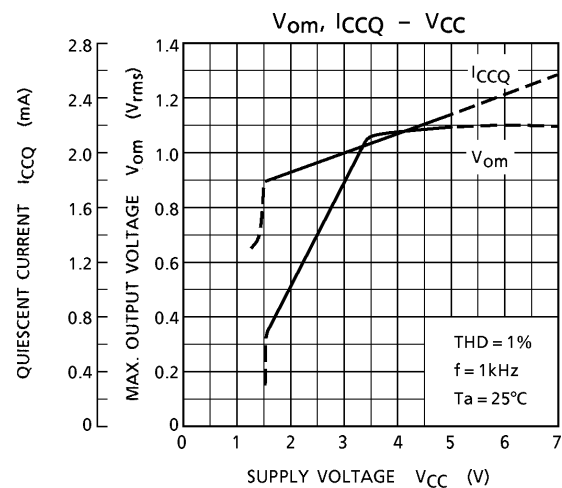
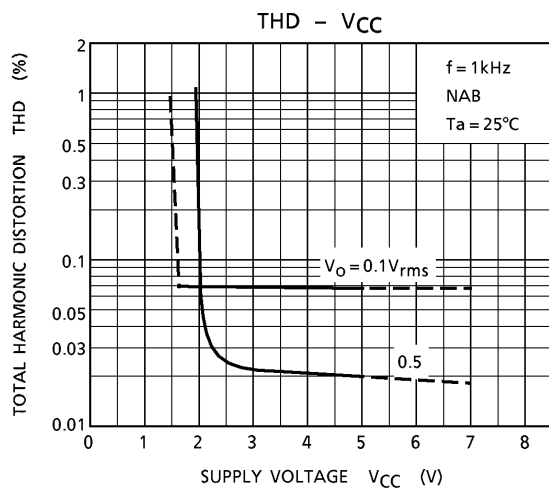
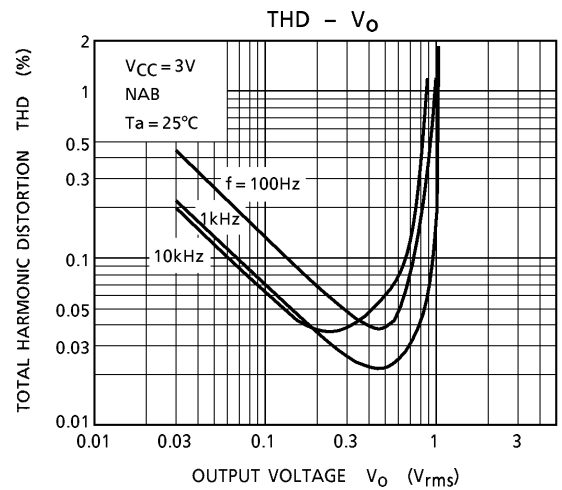
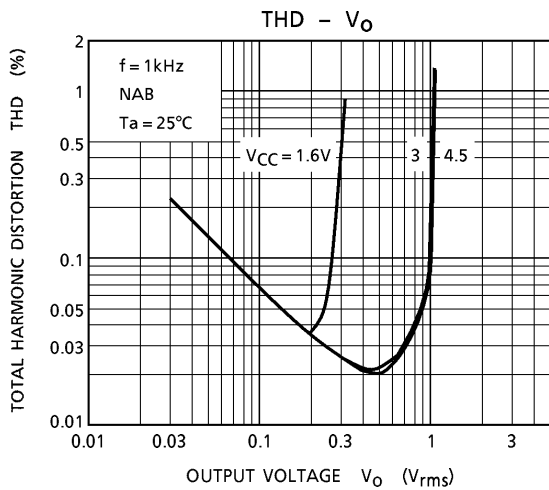
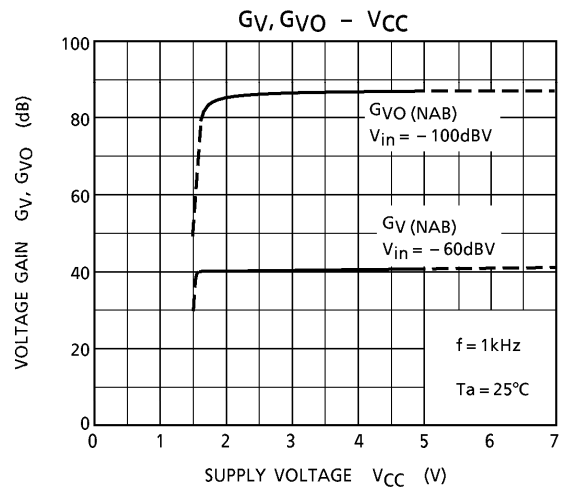
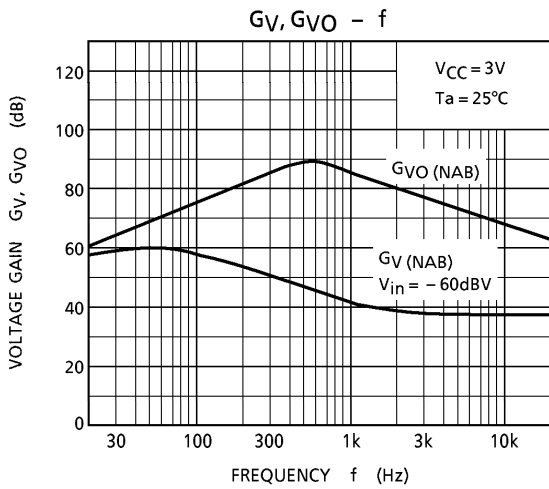
DC CHARACTERISTICS

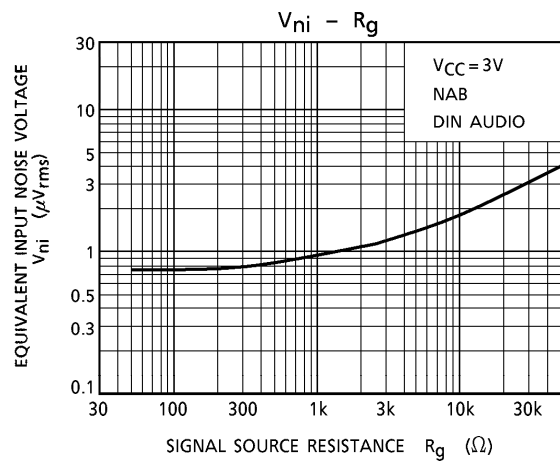
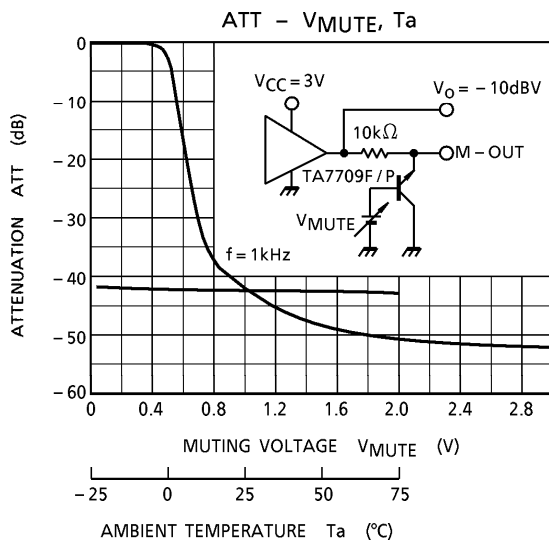
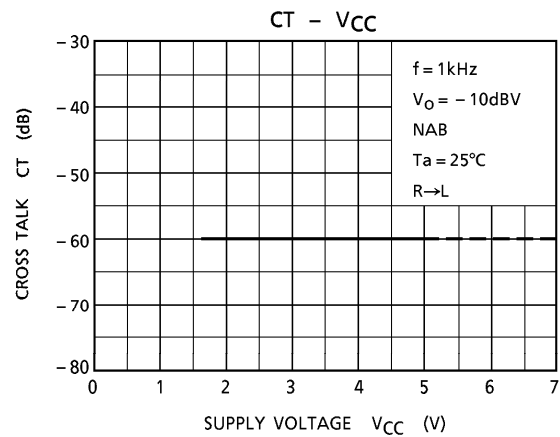
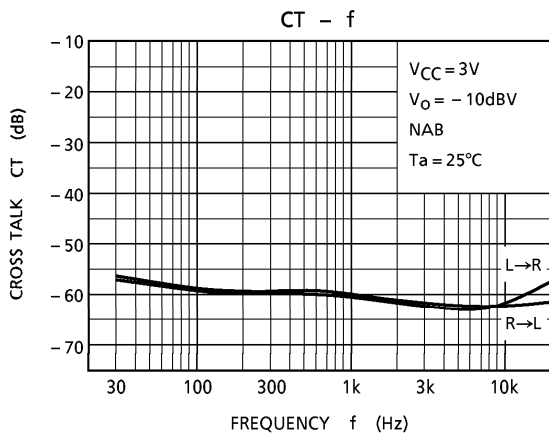
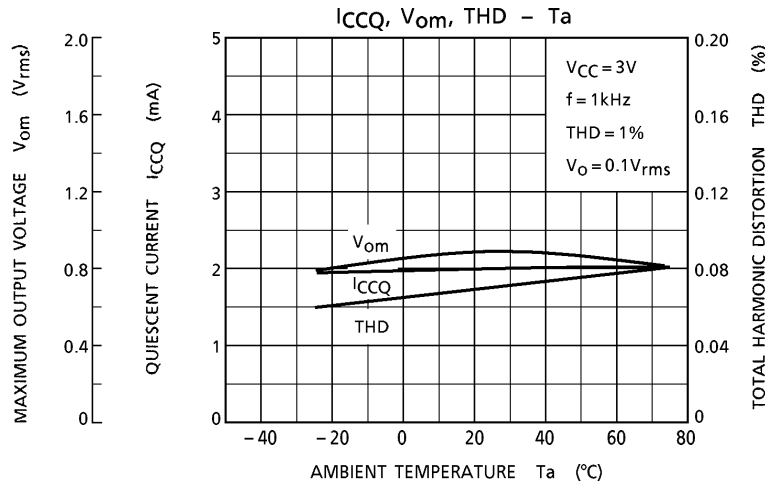
($V_{CC} = 3V$, $T_a = 25^\circ C$, Terminal voltage at no signal)

PIN No.	ITEM	SYMBOL	TYP.	UNIT
1	Pre IN	V_1	1.35	V
2	GND	V_2	0	V
3	Tr-OUT	V_3	—	V
4	Ripple Filter OUT	V_4	1.36	V
5	GND	V_5	0	V
6	Tr-OUT	V_6	—	V
7	Tr-IN	V_7	—	V
8	Pre IN	V_8	1.35	V
9	Pre NF	V_9	1.35	V
10	Pre OUT	V_{10}	1.44	V
11	TEST Pin	V_{11}	—	V
12	GND	V_{12}	0	V
13	V_{CC}	V_{13}	3.0	V
14	TEST Pin	V_{14}	—	V
15	Pre OUT	V_{15}	1.44	V
16	Pre NF	V_{16}	1.35	V

TEST CIRCUIT

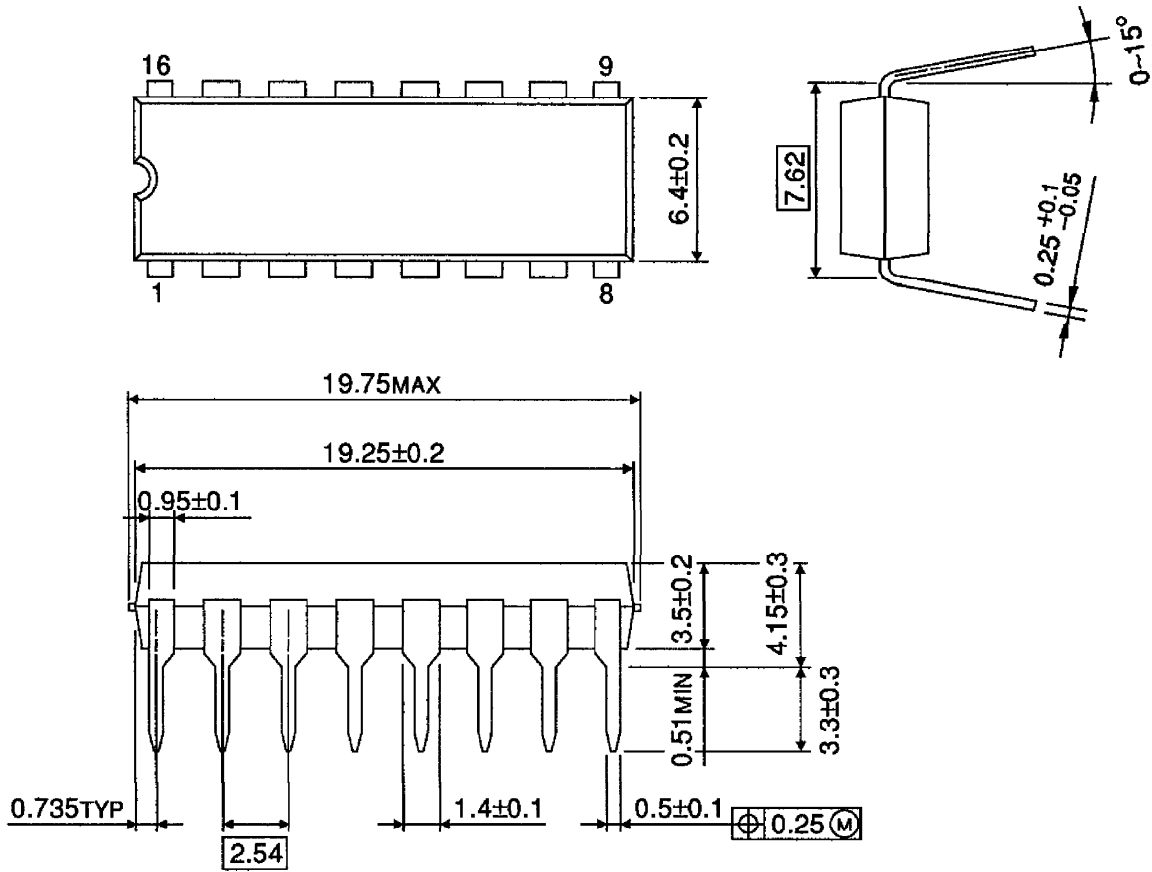






PACKAGE DIMENSIONS
DIP16-P-300-2.54A

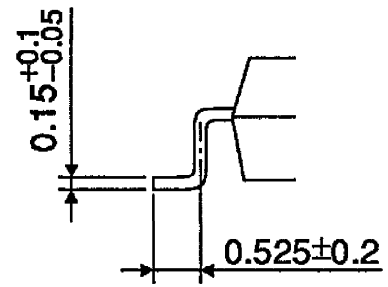
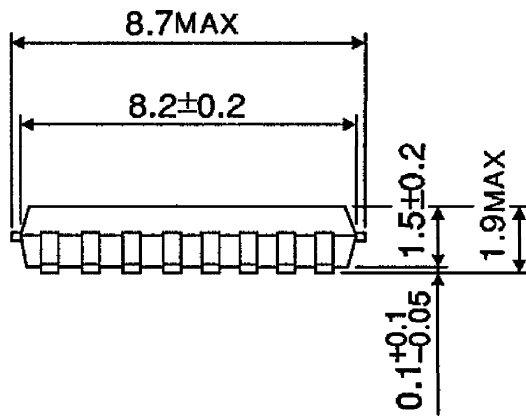
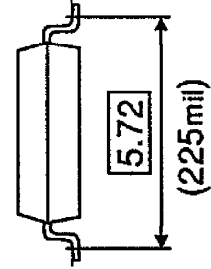
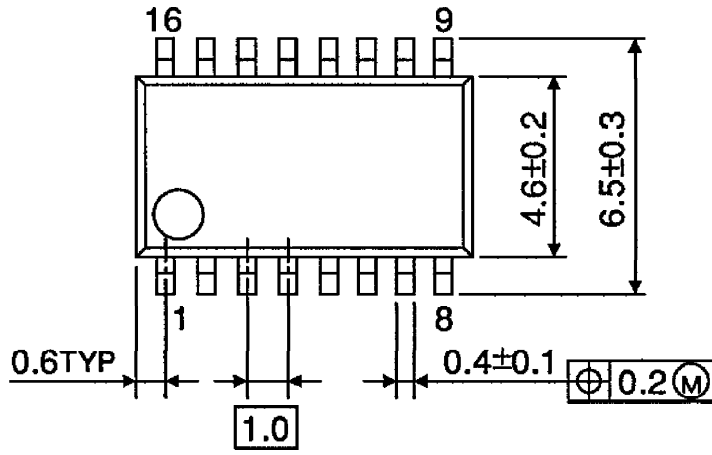
Unit : mm



Weight : 1.00g (Typ.)

PACKAGE DIMENSIONS
SSOP16-P-225-1.00A

Unit : mm



Weight : 0.14g (Typ.)

RESTRICTIONS ON PRODUCT USE

000707EBA

- TOSHIBA is continually working to improve the quality and reliability of its products. Nevertheless, semiconductor devices in general can malfunction or fail due to their inherent electrical sensitivity and vulnerability to physical stress. It is the responsibility of the buyer, when utilizing TOSHIBA products, to comply with the standards of safety in making a safe design for the entire system, and to avoid situations in which a malfunction or failure of such TOSHIBA products could cause loss of human life, bodily injury or damage to property. In developing your designs, please ensure that TOSHIBA products are used within specified operating ranges as set forth in the most recent TOSHIBA products specifications. Also, please keep in mind the precautions and conditions set forth in the "Handling Guide for Semiconductor Devices," or "TOSHIBA Semiconductor Reliability Handbook" etc..
- The TOSHIBA products listed in this document are intended for usage in general electronics applications (computer, personal equipment, office equipment, measuring equipment, industrial robotics, domestic appliances, etc.). These TOSHIBA products are neither intended nor warranted for usage in equipment that requires extraordinarily high quality and/or reliability or a malfunction or failure of which may cause loss of human life or bodily injury ("Unintended Usage"). Unintended Usage include atomic energy control instruments, airplane or spaceship instruments, transportation instruments, traffic signal instruments, combustion control instruments, medical instruments, all types of safety devices, etc.. Unintended Usage of TOSHIBA products listed in this document shall be made at the customer's own risk.
- The products described in this document are subject to the foreign exchange and foreign trade laws.
- The information contained herein is presented only as a guide for the applications of our products. No responsibility is assumed by TOSHIBA CORPORATION for any infringements of intellectual property or other rights of the third parties which may result from its use. No license is granted by implication or otherwise under any intellectual property or other rights of TOSHIBA CORPORATION or others.
- The information contained herein is subject to change without notice.