

TOSHIBA CMOS Digital Integrated Circuit Silicon Monolithic

# TC74VCXH16245FT

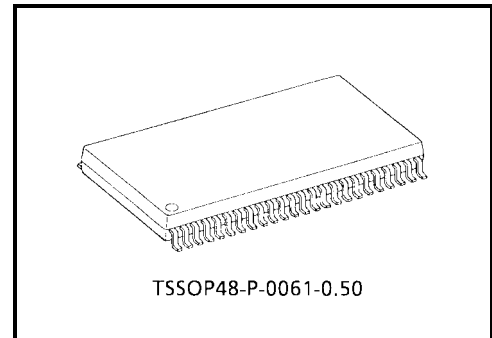
## Low-Voltage 16-Bit Bus Transceiver with Bushold

The TC74VCXH16245FT is a high-performance CMOS 16-bit bus transceiver. Designed for use in 1.8-V, 2.5-V or 3.3-V systems, it achieves high-speed operation while maintaining the CMOS low power dissipation.

This 16-bit bus transceiver is controlled by direction control (DIR) inputs and output enable ( $\overline{OE}$ ) inputs which are common to each byte. It can be used as two 8-bit transceivers or one 16-bit transceiver. The direction of data transmission is determined by the level of the DIR inputs. The  $\overline{OE}$  inputs can be used to disable the device so that the busses are effectively isolated.

The A, B data inputs include active bushold circuitry, eliminating the need for external pull-up resistors to hold unused or floating data inputs at a valid logic level.

All inputs are equipped with protection circuits against static discharge.



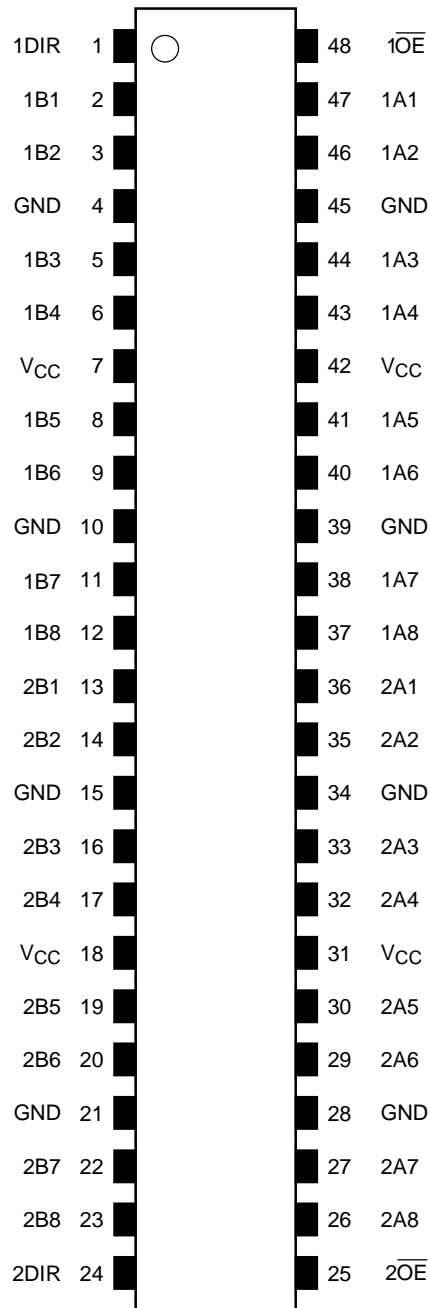
Weight: 0.25 g (typ.)

## Features

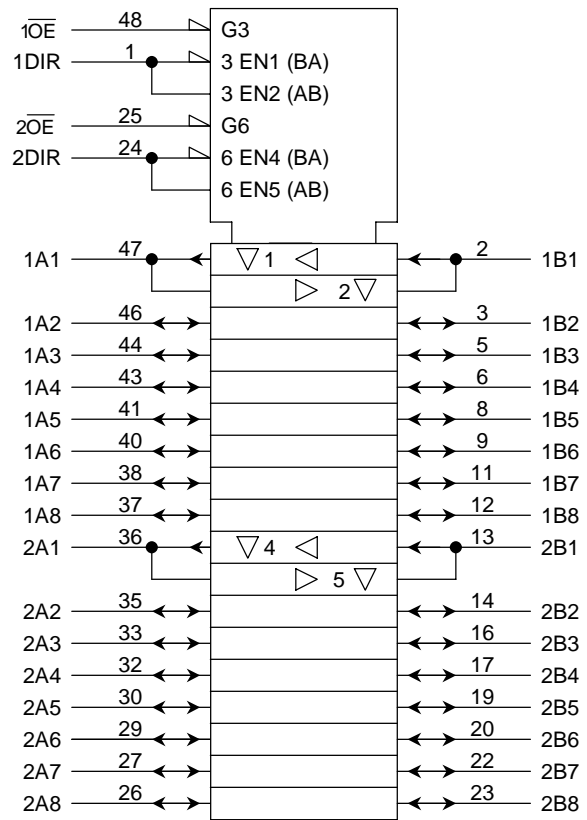
- Low-voltage operation:  $V_{CC} = 1.8$  to  $3.6$  V
- Bushold on data inputs eliminating the need for external pull-up/pull-down resistors
- High-speed operation:  $t_{pd} = 2.5$  ns (max) ( $V_{CC} = 3.0$  to  $3.6$  V)  
:  $t_{pd} = 3.0$  ns (max) ( $V_{CC} = 2.3$  to  $2.7$  V)  
:  $t_{pd} = 5.0$  ns (max) ( $V_{CC} = 1.8$  V)
- 3.6-V tolerant control inputs
- Output current:  $I_{OH}/I_{OL} = \pm 24$  mA (min) ( $V_{CC} = 3.0$  V)  
:  $I_{OH}/I_{OL} = \pm 18$  mA (min) ( $V_{CC} = 2.3$  V)  
:  $I_{OH}/I_{OL} = \pm 6$  mA (min) ( $V_{CC} = 1.8$  V)
- Latch-up performance:  $\pm 300$  mA
- ESD performance: Machine model  $> \pm 200$  V  
: Human body model  $> \pm 2000$  V
- Package: TSSOP (thin shrink small outline package)

Note 1: Do not apply a signal to any bus pins when it is in the output mode. Damage may result.

## Pin Assignment (top view)



## IEC Logic Symbol



## Truth Table

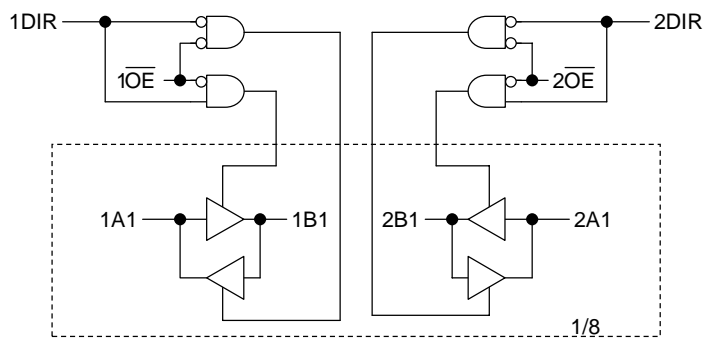
Inputs		Function		Outputs
$\overline{1OE}$	1DIR	Bus 1A1-1A8	Bus 1B1-1B8	
L	L	Output	Input	A = B
L	H	Input	Output	B = A
H	X	Z		Z

Inputs		Function		Outputs
$\overline{2OE}$	2DIR	Bus 2A1-2A8	Bus 2B1-2B8	
L	L	Output	Input	A = B
L	H	Input	Output	B = A
H	X	Z		Z

X: Don't care

Z: High impedance

## System Diagram



## Maximum Ratings

Characteristics		Symbol	Rating	Unit
Power supply voltage		$V_{CC}$	-0.5 to 4.6	V
DC input voltage	(DIR, $\overline{OE}$ )	$V_{IN}$	-0.5 to 4.6	V
	(An, Bn)		-0.5 to $V_{CC} + 0.5$ (Note 2)	
DC output voltage	(An, Bn)	$V_{OUT}$	-0.5 to $V_{CC} + 0.5$ (Note 3)	V
Input diode current		$I_{IK}$	-50	mA
Output diode current		$I_{OK}$	$\pm 50$ (Note 4)	mA
Output current		$I_{OUT}$	$\pm 50$	mA
Power dissipation		$P_D$	400	mW
DC $V_{CC}$ /ground current per supply pin		$I_{CC}/I_{GND}$	$\pm 100$	mA
Storage temperature		$T_{stg}$	-65 to 150	$^{\circ}C$

Note 2: OFF state

Note 3: High or low state.  $I_{OUT}$  absolute maximum rating must be observed.

Note 4:  $V_{OUT} < GND$ ,  $V_{OUT} > V_{CC}$

## Recommended Operating Range (Note 5)

Characteristics		Symbol	Rating	Unit
Power supply voltage		$V_{CC}$	1.8 to 3.6	V
			1.2 to 3.6 (Note 6)	
Input voltage	(DIR, $\overline{OE}$ )	$V_{IN}$	-0.3 to 3.6	V
	(An, Bn)		0 to $V_{CC}$ (Note 7)	
Output voltage	(An, Bn)	$V_{OUT}$	0 to $V_{CC}$ (Note 8)	V
Output current		$I_{OH}/I_{OL}$	$\pm 24$ (Note 9)	mA
			$\pm 18$ (Note 10)	
			$\pm 6$ (Note 11)	
Operating temperature		$T_{opr}$	-40 to 85	$^{\circ}C$
Input rise and fall time		$dt/dv$	0 to 10 (Note 12)	ns/V

Note 5: Floating or unused control inputs must be held high or low.

Note 6: Data retention only

Note 7: OFF state

Note 8: High or low state

Note 9:  $V_{CC} = 3.0$  to  $3.6$  V

Note 10:  $V_{CC} = 2.3$  to  $2.7$  V

Note 11:  $V_{CC} = 1.8$  V

Note 12:  $V_{IN} = 0.8$  to  $2.0$  V,  $V_{CC} = 3.0$  V

**Electrical Characteristics**

**DC Characteristics (Ta = -40 to 85°C, 2.7 V < VCC ≤ 3.6 V)**

Characteristics		Symbol	Test Condition		VCC (V)	Min	Max	Unit
Input voltage	H-level	V <sub>IH</sub>	—		2.7 to 3.6	2.0	—	V
	L-level	V <sub>IL</sub>	—		2.7 to 3.6	—	0.8	
Output voltage	H-level	V <sub>OH</sub>	V <sub>IN</sub> = V <sub>IH</sub> or V <sub>IL</sub>	I <sub>OH</sub> = -100 μA	2.7 to 3.6	V <sub>CC</sub> - 0.2	—	V
				I <sub>OH</sub> = -12 mA	2.7	2.2	—	
				I <sub>OH</sub> = -18 mA	3.0	2.4	—	
				I <sub>OH</sub> = -24 mA	3.0	2.2	—	
	L-level	V <sub>OL</sub>	V <sub>IN</sub> = V <sub>IH</sub> or V <sub>IL</sub>	I <sub>OL</sub> = 100 μA	2.7 to 3.6	—	0.2	
				I <sub>OL</sub> = 12 mA	2.7	—	0.4	
				I <sub>OL</sub> = 18 mA	3.0	—	0.4	
				I <sub>OL</sub> = 24 mA	3.0	—	0.55	
Input leakage current (DIR, $\overline{OE}$ )		I <sub>IN</sub>	V <sub>IN</sub> = 0 to 3.6 V		2.7 to 3.6	—	±5.0	μA
Bushold input minimum drive hold current		I <sub>I (HOLD)</sub>	V <sub>IN</sub> = 0.8 V		3.0	75	—	μA
			V <sub>IN</sub> = 2.0 V		3.0	-75	—	
Bushold input over-drive current to change state		I <sub>I (OD)</sub>	(Note 13)		3.6	—	450	μA
			(Note 14)		3.6	—	-450	
3-state output OFF state current		I <sub>OZ</sub>	V <sub>IN</sub> = V <sub>IH</sub> or V <sub>IL</sub> V <sub>OUT</sub> = V <sub>CC</sub> or GND		2.7 to 3.6	—	±10.0	μA
Quiescent supply current		I <sub>CC</sub>	V <sub>IN</sub> = V <sub>CC</sub> or GND		2.7 to 3.6	—	20.0	μA
Increase in I <sub>CC</sub> per input		ΔI <sub>CC</sub>	V <sub>IH</sub> = V <sub>CC</sub> - 0.6 V		2.7 to 3.6	—	750	μA

Note 13: An external driver must source at least the specified current to switch from LOW-to-HIGH.

Note 14: An external driver must sink at least the specified current to switch from HIGH-to-LOW.

## DC Characteristics (Ta = -40 to 85°C, 2.3 V ≤ VCC ≤ 2.7 V)

Characteristics		Symbol	Test Condition		VCC (V)	Min	Max	Unit
Input voltage	H-level	V <sub>IH</sub>	—		2.3 to 2.7	1.6	—	V
	L-level	V <sub>IL</sub>	—		2.3 to 2.7	—	0.7	
Output voltage	H-level	V <sub>OH</sub>	V <sub>IN</sub> = V <sub>IH</sub> or V <sub>IL</sub>	I <sub>OH</sub> = -100 μA	2.3 to 2.7	V <sub>CC</sub> - 0.2	—	V
				I <sub>OH</sub> = -6 mA	2.3	2.0	—	
				I <sub>OH</sub> = -12 mA	2.3	1.8	—	
	L-level	V <sub>OL</sub>	V <sub>IN</sub> = V <sub>IH</sub> or V <sub>IL</sub>	I <sub>OL</sub> = 100 μA	2.3 to 2.7	—	0.2	
				I <sub>OL</sub> = 12 mA	2.3	—	0.4	
				I <sub>OL</sub> = 18 mA	2.3	—	0.6	
Input leakage current (DIR, $\overline{OE}$ )		I <sub>IN</sub>	V <sub>IN</sub> = 0 to 3.6 V		2.3 to 2.7	—	±5.0	μA
Bushold input minimum drive hold current		I <sub>I</sub> (HOLD)	V <sub>IN</sub> = 0.7 V		2.3	45	—	μA
			V <sub>IN</sub> = 1.6 V		2.3	-45	—	
Bushold input over-drive current to change state		I <sub>I</sub> (OD)	(Note 13)		2.7	—	300	μA
			(Note 14)		2.7	—	-300	
3-state output OFF state current		I <sub>OZ</sub>	V <sub>IN</sub> = V <sub>IH</sub> or V <sub>IL</sub> V <sub>OUT</sub> = V <sub>CC</sub> or GND		2.3 to 2.7	—	±10.0	μA
Quiescent supply current		I <sub>CC</sub>	V <sub>IN</sub> = V <sub>CC</sub> or GND		2.3 to 2.7	—	20.0	μA

Note 13: An external driver must source at least the specified current to switch from LOW-to-HIGH.

Note 14: An external driver must sink at least the specified current to switch from HIGH-to-LOW.

**DC Characteristics (Ta = -40 to 85°C, 1.8 V ≤ VCC < 2.3 V)**

Characteristics		Symbol	Test Condition		VCC (V)	Min	Max	Unit
Input voltage	H-level	V <sub>IH</sub>	—		1.8 to 2.3	0.7 × V <sub>CC</sub>	—	V
	L-level	V <sub>IL</sub>	—		1.8 to 2.3	—	0.2 × V <sub>CC</sub>	
Output voltage	H-level	V <sub>OH</sub>	V <sub>IN</sub> = V <sub>IH</sub> or V <sub>IL</sub>	I <sub>OH</sub> = -100 μA	1.8	V <sub>CC</sub> - 0.2	—	V
				I <sub>OH</sub> = -6 mA	1.8	1.4	—	
	L-level	V <sub>OL</sub>	V <sub>IN</sub> = V <sub>IH</sub> or V <sub>IL</sub>	I <sub>OL</sub> = 100 μA	1.8	—	0.2	
				I <sub>OL</sub> = 6 mA	1.8	—	0.3	
Input leakage current (DIR, $\overline{OE}$ )		I <sub>IN</sub>	V <sub>IN</sub> = 0 to 3.6 V		1.8	—	±5.0	μA
Bushold input minimum drive hold current		I <sub>I</sub> (HOLD)	V <sub>IN</sub> = 0.36 V		1.8	25	—	μA
			V <sub>IN</sub> = 1.26 V		1.8	-25	—	
Bushold input over-drive current to change state		I <sub>I</sub> (OD)	(Note 13)		1.8	—	200	μA
			(Note 14)		1.8	—	-200	
3-state output OFF state current		I <sub>OZ</sub>	V <sub>IN</sub> = V <sub>IH</sub> or V <sub>IL</sub> V <sub>OUT</sub> = V <sub>CC</sub> or GND		1.8	—	±10.0	μA
Quiescent supply current		I <sub>CC</sub>	V <sub>IN</sub> = V <sub>CC</sub> or GND		1.8	—	20.0	μA

Note 13: An external driver must source at least the specified current to switch from LOW-to-HIGH.

Note 14: An external driver must sink at least the specified current to switch from HIGH-to-LOW.

**AC Characteristics (Ta = -40 to 85°C, input: t<sub>r</sub> = t<sub>f</sub> = 2.0 ns, C<sub>L</sub> = 30 pF, R<sub>L</sub> = 500 Ω)**

Characteristics		Symbol	Test Condition		VCC (V)	Min	Max	Unit
Propagation delay time	t <sub>pLH</sub> t <sub>pHL</sub>	Figure 1, Figure 2	1.8		1.5	5.0	ns	
			2.5 ± 0.2		1.0	3.0		
			3.3 ± 0.3		0.8	2.5		
3-state output enable time	t <sub>pZL</sub> t <sub>pZH</sub>	Figure 1, Figure 3	1.8		1.5	7.5	ns	
			2.5 ± 0.2		1.0	4.9		
			3.3 ± 0.3		0.8	3.8		
3-state output disable time	t <sub>pLZ</sub> t <sub>pHZ</sub>	Figure 1, Figure 3	1.8		1.5	5.5	ns	
			2.5 ± 0.2		1.0	4.2		
			3.3 ± 0.3		0.8	3.7		
Output to output skew	t <sub>osLH</sub> t <sub>osHL</sub>	(Note 15)	1.8		—	0.5	ns	
			2.5 ± 0.2		—	0.5		
			3.3 ± 0.3		—	0.5		

For C<sub>L</sub> = 50 pF, add approximately 300 ps to the AC maximum specification.

Note 15: Parameter guaranteed by design.

$$(t_{osLH} = |t_{pLHm} - t_{pLHn}|, t_{osHL} = |t_{pHLm} - t_{pHLn}|)$$

## Dynamic Switching Characteristics (Ta = 25°C, input: tr = tf = 2.0 ns, CL = 30 pF)

Characteristics	Symbol	Test Condition	VCC (V)	Typ.	Unit
Quiet output maximum dynamic VOL	VOLP	VIH = 1.8 V, VIL = 0 V (Note 16)	1.8	0.25	V
		VIH = 2.5 V, VIL = 0 V (Note 16)	2.5	0.6	
		VIH = 3.3 V, VIL = 0 V (Note 16)	3.3	0.8	
Quiet output minimum dynamic VOL	VOLV	VIH = 1.8 V, VIL = 0 V (Note 16)	1.8	-0.25	V
		VIH = 2.5 V, VIL = 0 V (Note 16)	2.5	-0.6	
		VIH = 3.3 V, VIL = 0 V (Note 16)	3.3	-0.8	
Quiet output minimum dynamic VOH	VOHV	VIH = 1.8 V, VIL = 0 V (Note 16)	1.8	1.5	V
		VIH = 2.5 V, VIL = 0 V (Note 16)	2.5	1.9	
		VIH = 3.3 V, VIL = 0 V (Note 16)	3.3	2.2	

Note 16: Parameter guaranteed by design.

## Capacitive Characteristics (Ta = 25°C)

Characteristics	Symbol	Test Condition	VCC (V)	Typ.	Unit
Input capacitance	CIN	—	1.8, 2.5, 3.3	6	pF
Bus I/O capacitance	CIO	—	1.8, 2.5, 3.3	7	pF
Power dissipation capacitance	CPD	fIN = 10 MHz (Note 17)	1.8, 2.5, 3.3	20	pF

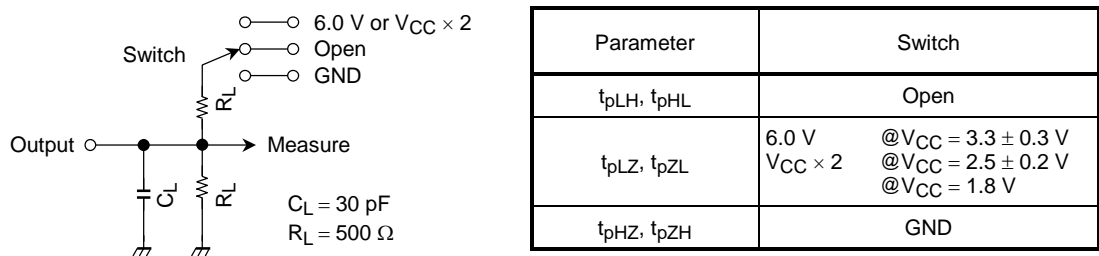
Note 17: CPD is defined as the value of the internal equivalent capacitance which is calculated from the operating current consumption without load.

Average operating current can be obtained by the equation:

$$I_{CC(opr)} = C_{PD} \cdot V_{CC} \cdot f_{IN} + I_{CC}/16 \text{ (per bit)}$$

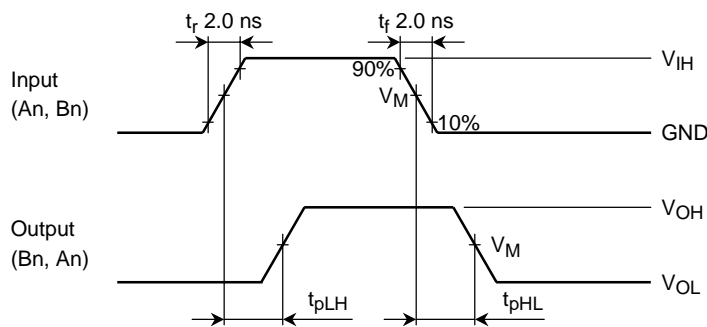


**AC Test Circuit**

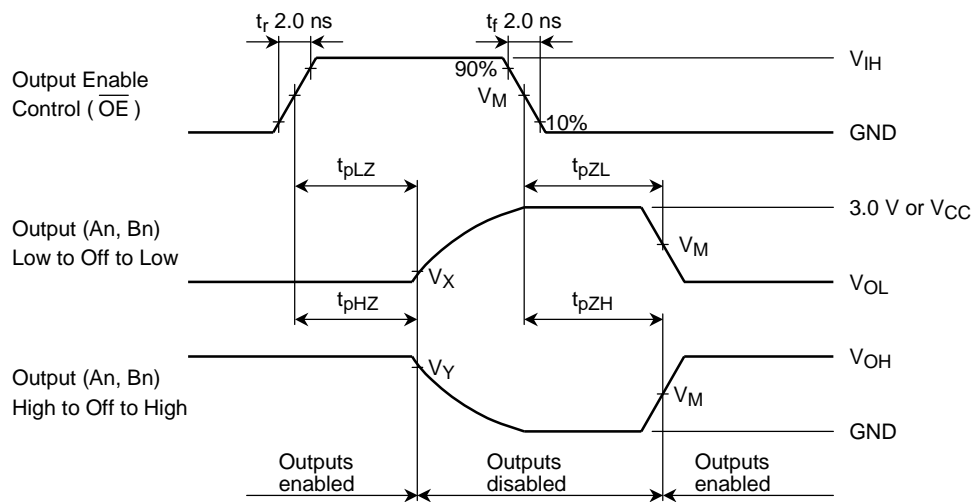


**Figure 1**

**AC Waveform**



**Figure 2  $t_{pLH}$ ,  $t_{pHL}$**



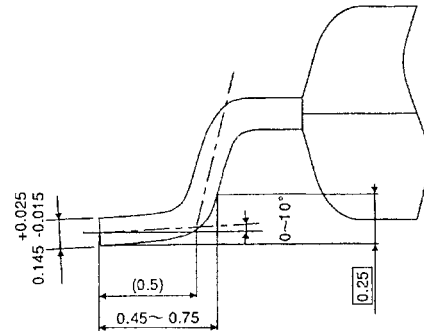
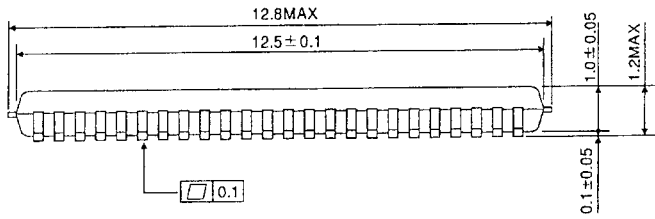
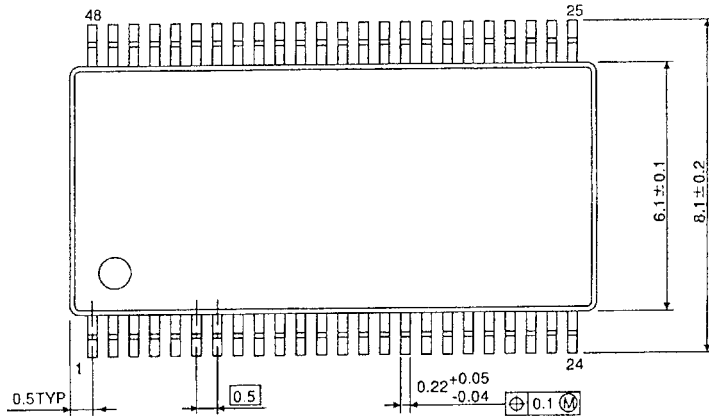
**Figure 3  $t_{pLZ}$ ,  $t_{pHZ}$ ,  $t_{pZL}$ ,  $t_{pZH}$**

Symbol	$V_{CC}$		
	$3.3 \pm 0.3$ V	$2.5 \pm 0.2$ V	1.8 V
$V_{IH}$	2.7 V	$V_{CC}$	$V_{CC}$
$V_M$	1.5 V	$V_{CC}/2$	$V_{CC}/2$
$V_X$	$V_{OL} + 0.3$ V	$V_{OL} + 0.15$ V	$V_{OL} + 0.15$ V
$V_Y$	$V_{OH} - 0.3$ V	$V_{OH} - 0.15$ V	$V_{OH} - 0.15$ V

**Package Dimensions**

TSSOP48-P-0061-0.50

Unit : mm



Weight: 0.25 g (typ.)

**RESTRICTIONS ON PRODUCT USE**

000707EBA

- TOSHIBA is continually working to improve the quality and reliability of its products. Nevertheless, semiconductor devices in general can malfunction or fail due to their inherent electrical sensitivity and vulnerability to physical stress. It is the responsibility of the buyer, when utilizing TOSHIBA products, to comply with the standards of safety in making a safe design for the entire system, and to avoid situations in which a malfunction or failure of such TOSHIBA products could cause loss of human life, bodily injury or damage to property.  
In developing your designs, please ensure that TOSHIBA products are used within specified operating ranges as set forth in the most recent TOSHIBA products specifications. Also, please keep in mind the precautions and conditions set forth in the "Handling Guide for Semiconductor Devices," or "TOSHIBA Semiconductor Reliability Handbook" etc..
- The TOSHIBA products listed in this document are intended for usage in general electronics applications (computer, personal equipment, office equipment, measuring equipment, industrial robotics, domestic appliances, etc.). These TOSHIBA products are neither intended nor warranted for usage in equipment that requires extraordinarily high quality and/or reliability or a malfunction or failure of which may cause loss of human life or bodily injury ("Unintended Usage"). Unintended Usage include atomic energy control instruments, airplane or spaceship instruments, transportation instruments, traffic signal instruments, combustion control instruments, medical instruments, all types of safety devices, etc.. Unintended Usage of TOSHIBA products listed in this document shall be made at the customer's own risk.
- The products described in this document are subject to the foreign exchange and foreign trade laws.
- The information contained herein is presented only as a guide for the applications of our products. No responsibility is assumed by TOSHIBA CORPORATION for any infringements of intellectual property or other rights of the third parties which may result from its use. No license is granted by implication or otherwise under any intellectual property or other rights of TOSHIBA CORPORATION or others.
- The information contained herein is subject to change without notice.