

COLOR TV EAST - WEST CORRECTION

- BUILD IN FRAME PARABOLA FROM EXTERNAL SAW-TOOTH
- PARABOLA CORRECTION ADJUSTMENT
- KEYSTONE CORRECTION ADJUSTMENT
- LINE SIZE ADJUSTMENT
- LINE DYNAMIC CORRECTION POSSIBILITY (beam current)
- D CLASS OUTPUT MODULATOR WITH BUILD IN RECOVERY DIODE
- 50 OR 60Hz OPERATION
- LOW DISSIPATION
- FEW EXTERNAL COMPONENTS



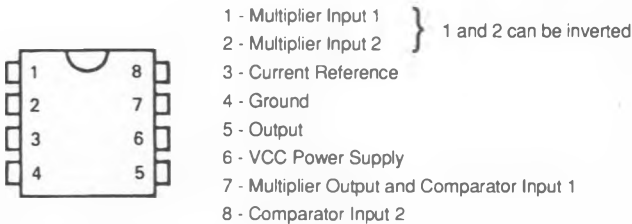
DESCRIPTION

The TEA2031A is intended to ensure frame rate modulated parabolic and keystone corrections to the horizontal deflection circuitry of 110 °color TV sets.

The linear frame saw-tooth is applied to appropriate circuitry from which a corresponding parabolic waveforms is obtained. This waveform is then fed to a comparator together with the linear line saw-tooth for comparison. Comparator's output drives the output power stage which is capable of sinking the external coil currents of up to 0.5A.

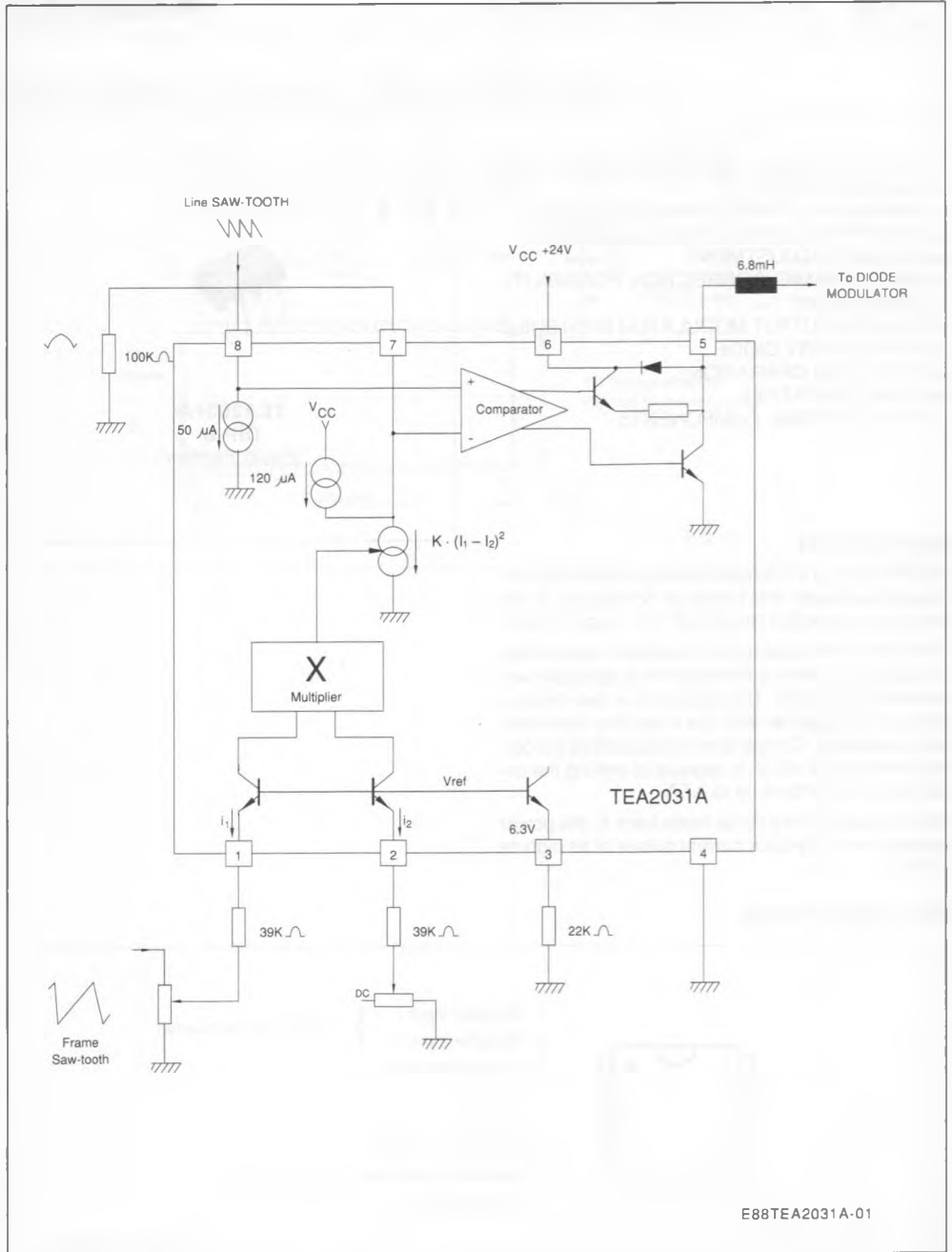
An internal recovery diode feeds back to the power supply the coil fly-back current pulses of as high as 0.5A.

PIN CONNECTIONS



E88TEA2031A-02

BLOCK DIAGRAM



E88TEA2031A-01

GENERAL DESCRIPTION

The TEA2031A is intended to provide to 110° color TV sets a parabolic and keystone frame rate modulated correction in addition to the main horizontal scanning.

A stable 6.3V internal reference provides current and voltage references to the whole IC.

Pins 1 and 2 are two symmetrical inputs of an on-chip multiplier circuit and are internally held at 6.3V reference potential level. Current inputs to these pins are drawn from external sources via appropriate resistors. The frame saw-tooth waveform which has a peak-to-peak value of around 3 volts and a mean value of about 2.5 volts, supplies the required current via a series resistor to pin 1. Likewise, the current to pin 2 is drawn through a series resistor from an external dc voltage source. These series resistors can have values of around 40kΩ resulting in input currents of approximately 0.1mA ± modulation current.

Pin 7 should be loaded to ground through a 100kΩ resistor which as a result will produce a parabola of 5 volts peak-to-peak at pin 7. This parabola is sym-

metrical if the DC current flowing into pin 2 is equal to the mean input current of pin 1. Otherwise, the parabola becomes dissymmetrical and produces a keystone effect correction.

The line saw-tooth at pin 8 is obtained by feeding the line fly-back voltage through an integrator network formed by a diode and a grounded capacitor (see typical application diagram). The DC component of the line saw-tooth is compensated by an internal current sinking source ; so that the mean DC values of line saw-tooth and frame parabola voltages are equal.

Line saw-tooth and frame parabola signals are applied to a comparator whose output is in the form of width modulated pulses. During every pulse duration, the output (pin 5) can sink external coil currents of up to 0.5A associated with diode modulator of the main horizontal scanning circuit.

An internal recovery diode feeds back the fly-back energy of the coil to the power supply. This diode can carry currents of up to 0.5A.

ABSOLUTE MAXIMUM RATINGS

Symbol	Parameter	Value	Unit
V ₆₋₄	Supply Voltage	35	V
I ₅₋₄	Output Sink Current	0.5	A
I ₅₋₆	Diode Output Current	0.5	A
I ₁ and I ₂	Input Current	- 0.5	mA
	Storage Temperature Range	- 20 to 150	°C
I ₅₋₄	Non Repetitive Peak Current on Output Transistor	1.5	A
I ₅₋₆	Non Repetitive Peak Current on Output Diode	1.5	A

THERMAL DATA T_{amb} = + 50°C

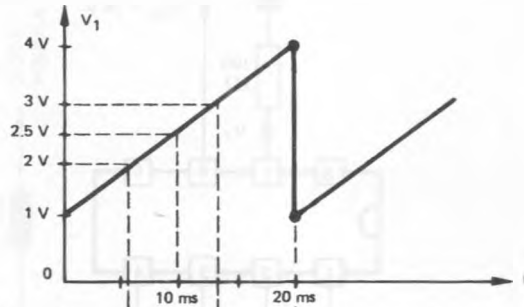
R _{TH} (j-a)	Thermal Resistance Max Total Dissipated Power	80 0.8	°C/W W

ELECTRICAL OPERATING CHARACTERISTICS

Symbol	Parameter	Min.	Typ.	Max.	Unit
V_{6-4}	Supply Voltage	16	24	35	V
I_6	Supply Current ($R_{(3-4)} = 22k\Omega$; $I_{OUT} = 0$)		4	6	mA
	No Load Consumption ($R_{(3-4)} = 22k\Omega$; $I_{OUT} = 0$; $V_{(6-4)} = 24V$)		100	150	mW
V_{3-4}	V Reference ($R_{(3-4)} = 22k\Omega$)	5.9	6.3	6.7	V
I_1 mean	Frame Saw-tooth Input DC Mean Current $R_1 = 39k\Omega$ at 2.5V Mean - saw-tooth Voltage		0.1		mA
I_{1pp}	Frame Saw-tooth Input Peak-to-peak Current $R_1 = 39k\Omega$ at 2.5V Mean - saw-tooth Voltage		70		μA
I_2	Keystone Correction Input DC Current If I_1 Mean = I_2 : No Keystone Effect. $R_2 = 39k\Omega$ at 2.5V DC ref.		0.1		mA
ΔI_2	Keystone Correction Input DC Current for Maximum Keystone Effect		± 12.5		μA
V_{7H}	Top Parabola Voltage ($2V < V_1 = V_2 < 3V$)	10		15	V
ΔV_{7H}	Top parabola temperature drift			0.5	mV/ $^{\circ}C$
Symmetrical parabola for no keystone effect (see figure 2)					
$V_{7H} - V_{7L}$	Parabola Amplitude ($V_2 = 2.5V$; V_1 mean = 2.5V, $V_{1pp} = 3V$)	3.5	5.2	6	V
$\Delta(V_{7H} - V_{7L})$	Parabola amplitude drift versus temperature			1	mV/ $^{\circ}C$
$V_{7H} - V_{7L1}$ $V_{7H} - V_{7L2}$	Symmetry	0.8	1	1.2	
Maximum dissymmetrical parabola for maximum keystone effect (see figure 3)					
$V_{7H} - V_{7B}$	Parabola Amplitude ($V_2 = 2V$ or $V_2 = 3V$; V_1 mean = 2.5V ; $V_{1pp} = 3V$)	5.3	8.5	9.2	V
$V_{7H} - V_{7B}$ $V_{7H} - V_{7A}$	Parabola Amplitude Ratio	2.6		4.1	
Differential Amplifier					
	Input 8 Sink Current Source	0.04		0.06	mA
$\Delta I_8 = F(\theta)$	Input 8 Current Drift Versus Temperature			0.1	%/ $^{\circ}C$
	Transfer Characteristics (pins 7-8) ($F = 1MHz$)	5		500	mA/mV
	Input Noise (pins 7-8)			50	μV
	Rise and Fall Time ($I_{out} = 250mA$)	1			A/ μs
V_{5-4}	Output Saturation Voltage to Ground ($I_5 = 0.5 A$)			1.2	V
V_{6-5}	Output Saturation Voltage to V_{CC} ($I_5 = 0.1A$)			2	V
V_{5-6}	Output Diode Direct Voltage ($I_5 = + 0.5A$)			1.2	V

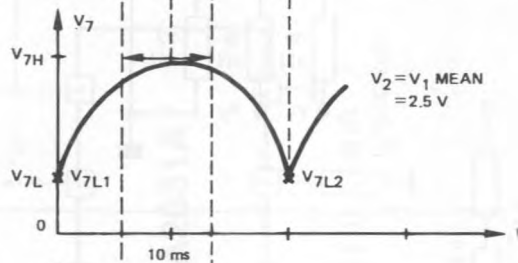
PARABOLA OUTPUT

FIGURE 1



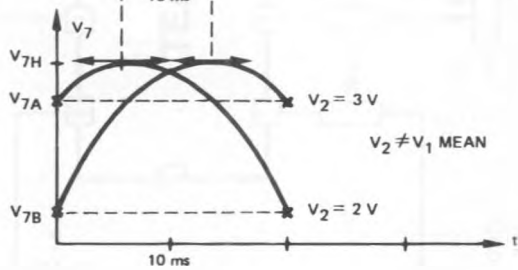
E88TEA2031A-03

FIGURE 2



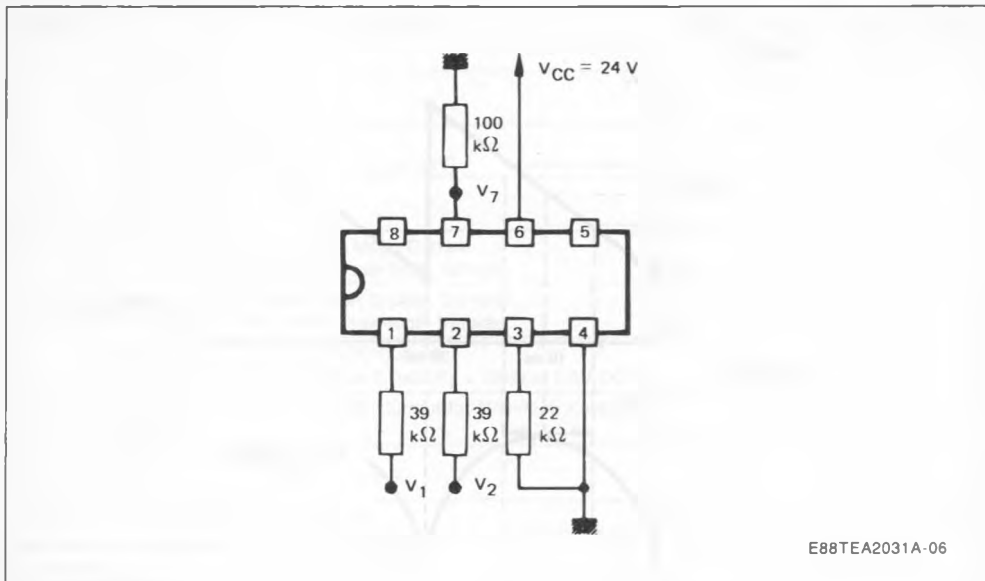
E88TEA2031A-04

FIGURE 3

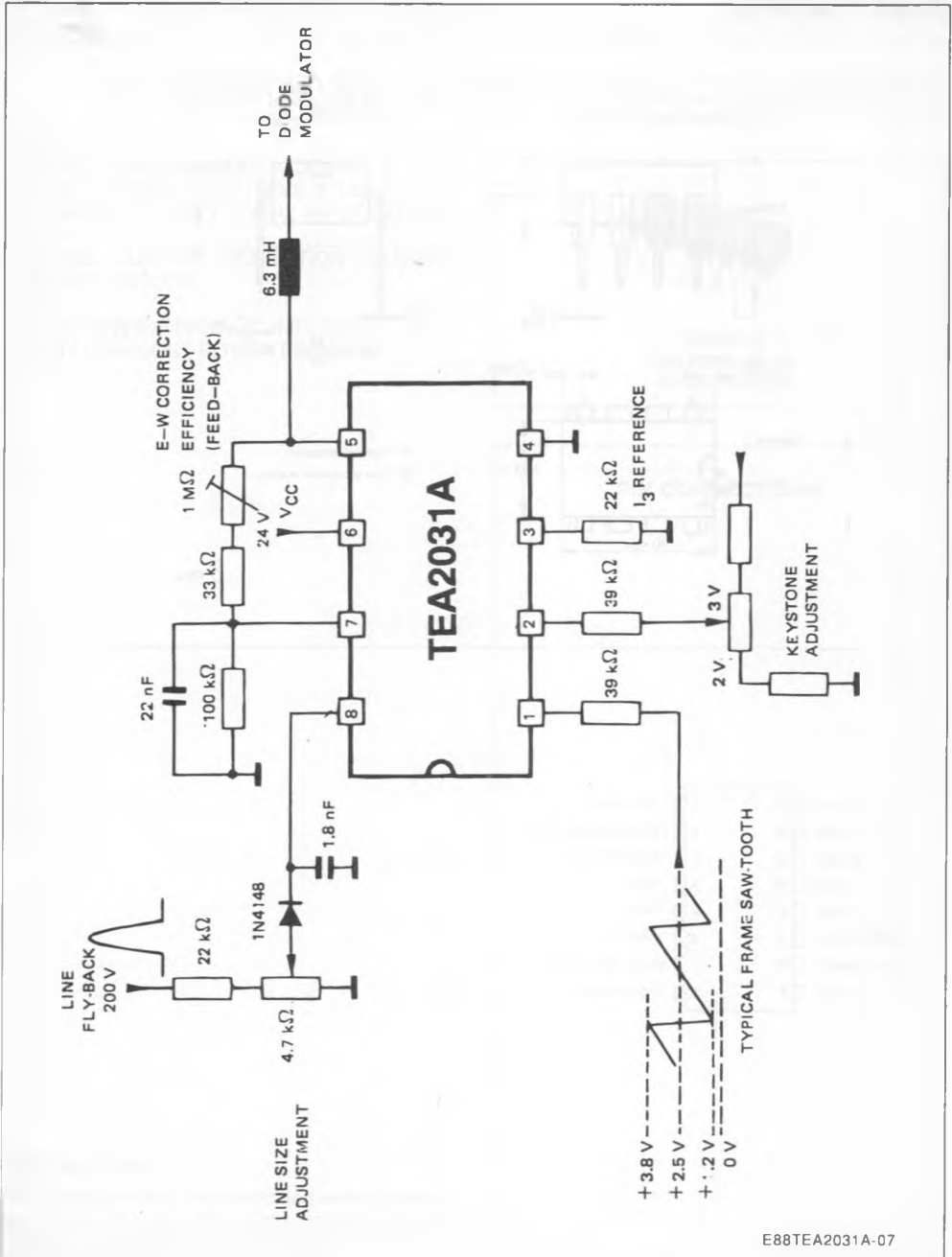


E88TEA2031A-05

PARABOLA TEST DIAGRAM



TYPICAL APPLICATION



E88TEA2031A-07

PACKAGE MECHANICAL DATA

8 PINS - PLASTIC DIP

