

TOSHIBA

TOSHIBA Original CMOS 16-Bit Microcontroller

TLCS-900/L Series

TMP93PF76

TOSHIBA CORPORATION

Preface

Thank you very much for making use of Toshiba microcomputer LSIs.
Before use this LSI, refer the section, "Points of Note and Restrictions".
Especially, take care below cautions.

****CAUTION****

How to release the HALT mode

Usually, interrupts can release all halts status. However, the interrupts = (INT0, INT1), which can release the HALT mode may not be able to do so if they are input during the period CPU is shifting to the HALT mode (for about 3 clocks of f_c or f_s) with IDLE1 or STOP mode (IDLE2 is not applicable to this case). (In this case, an interrupt request is kept on hold internally.)

If another interrupt is generated after it has shifted to HALT mode completely, halt status can be released without difficulty. The priority of this interrupt is compare with that of the interrupt kept on hold internally, and the interrupt with higher priority is handled first followed by the other interrupt.

CMOS 16-Bit Microcontroller

TMP93PF76F

1. Outline and Feature

The TMP93PF76F is a system evaluation LSI having a built in One-Time PROM (192 Kbytes) for TMP93CF76/77F.

A programming and verification for the internal PROM is achieved by using a general EPROM programmer with an adapter socket.

The function of this device is exactly same as the TMP93CF76/77F by programming to the internal PROM and the TMP93PF76F is used as the evaluation chip of TMP93CF76/77F.

Product no.	ROM	RAM	Package	Adapter Socket no.
TMP93PF76F	OTP 192 Kbytes	4.0 Kbytes	P-QFP100-1420-0.65A	BM11146A

000707EBP1

For a discussion of how the reliability of microcontrollers can be predicted, please refer to Section 1.3 of the chapter entitled Quality and Reliability Assurance/Handling Precautions.

- TOSHIBA is continually working to improve the quality and reliability of its products. Nevertheless, semiconductor devices in general can malfunction or fail due to their inherent electrical sensitivity and vulnerability to physical stress. It is the responsibility of the buyer, when utilizing TOSHIBA products, to comply with the standards of safety in making a safe design for the entire system, and to avoid situations in which a malfunction or failure of such TOSHIBA products could cause loss of human life, bodily injury or damage to property.

In developing your designs, please ensure that TOSHIBA products are used within specified operating ranges as set forth in the most recent TOSHIBA products specifications. Also, please keep in mind the precautions and conditions set forth in the "Handling Guide for Semiconductor Devices," or "TOSHIBA Semiconductor Reliability Handbook" etc..

- The TOSHIBA products listed in this document are intended for usage in general electronics applications (computer, personal equipment, office equipment, measuring equipment, industrial robotics, domestic appliances, etc.). These TOSHIBA products are neither intended nor warranted for usage in equipment that requires extraordinarily high quality and/or reliability or a malfunction or failure of which may cause loss of human life or bodily injury ("Unintended Usage"). Unintended Usage include atomic energy control instruments, airplane or spaceship instruments, transportation instruments, traffic signal instruments, combustion control instruments, medical instruments, all types of safety devices, etc.. Unintended Usage of TOSHIBA products listed in this document shall be made at the customer's own risk.

- The products described in this document are subject to the foreign exchange and foreign trade laws.

- The information contained herein is presented only as a guide for the applications of our products. No responsibility is assumed by TOSHIBA CORPORATION for any infringements of intellectual property or other rights of the third parties which may result from its use. No license is granted by implication or otherwise under any intellectual property or other rights of TOSHIBA CORPORATION or others.

- The information contained herein is subject to change without notice.



Purchase of TOSHIBA I²C components conveys a license under the Philips I²C Patent Rights to use these components in an I²C system, provided that the system conforms to the I²C Standard Specification as defined by Philips.

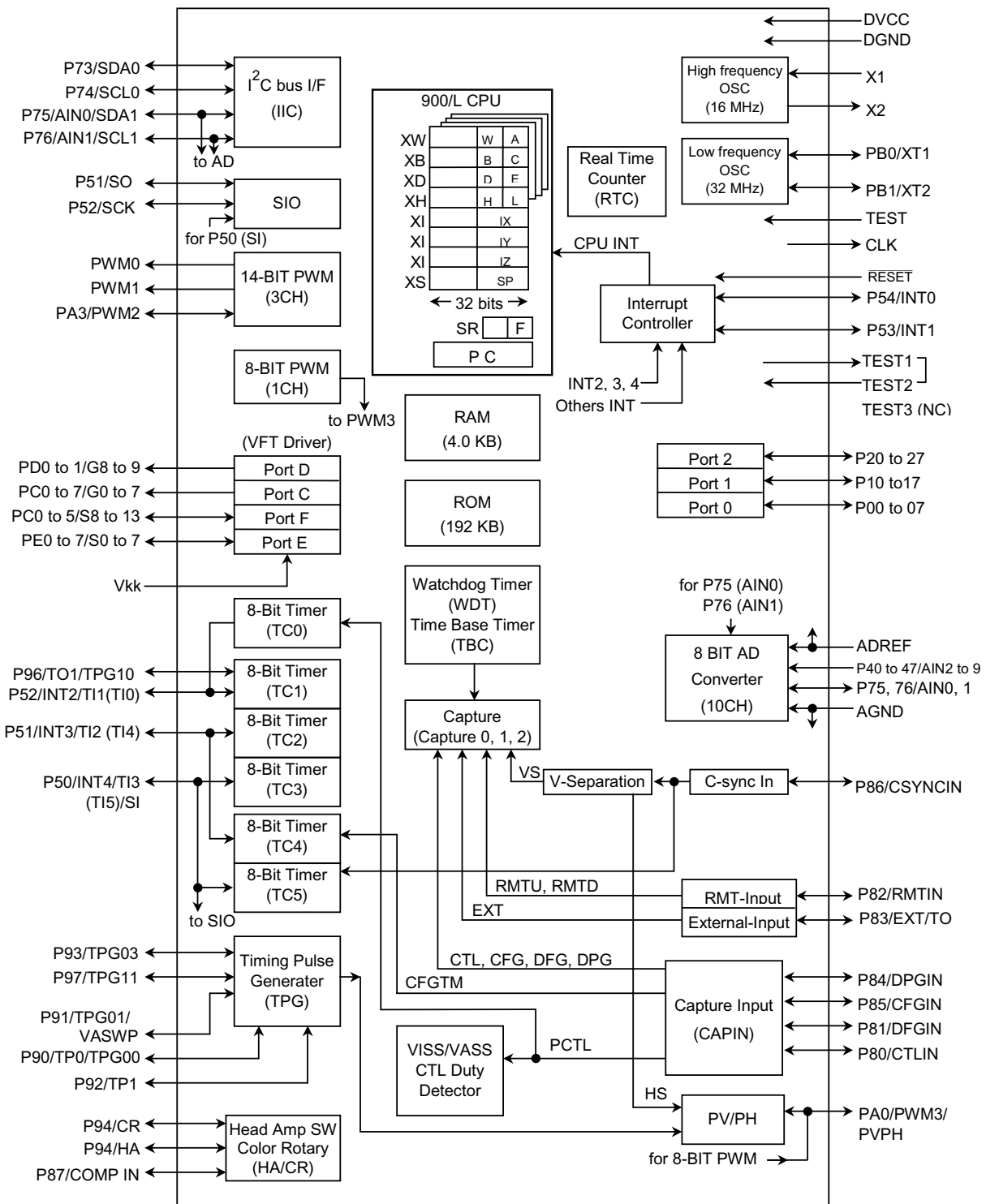


Figure 1.1 TMP93PF76F block diagram

2. Pin Assignment and Functions

The assignment of input and output pins for the TMP93PF76F, their names and functions are described below.

2.1 Pin Assignment

Figure 2.1.1 shows pin assignment of the TMP93PF76F.

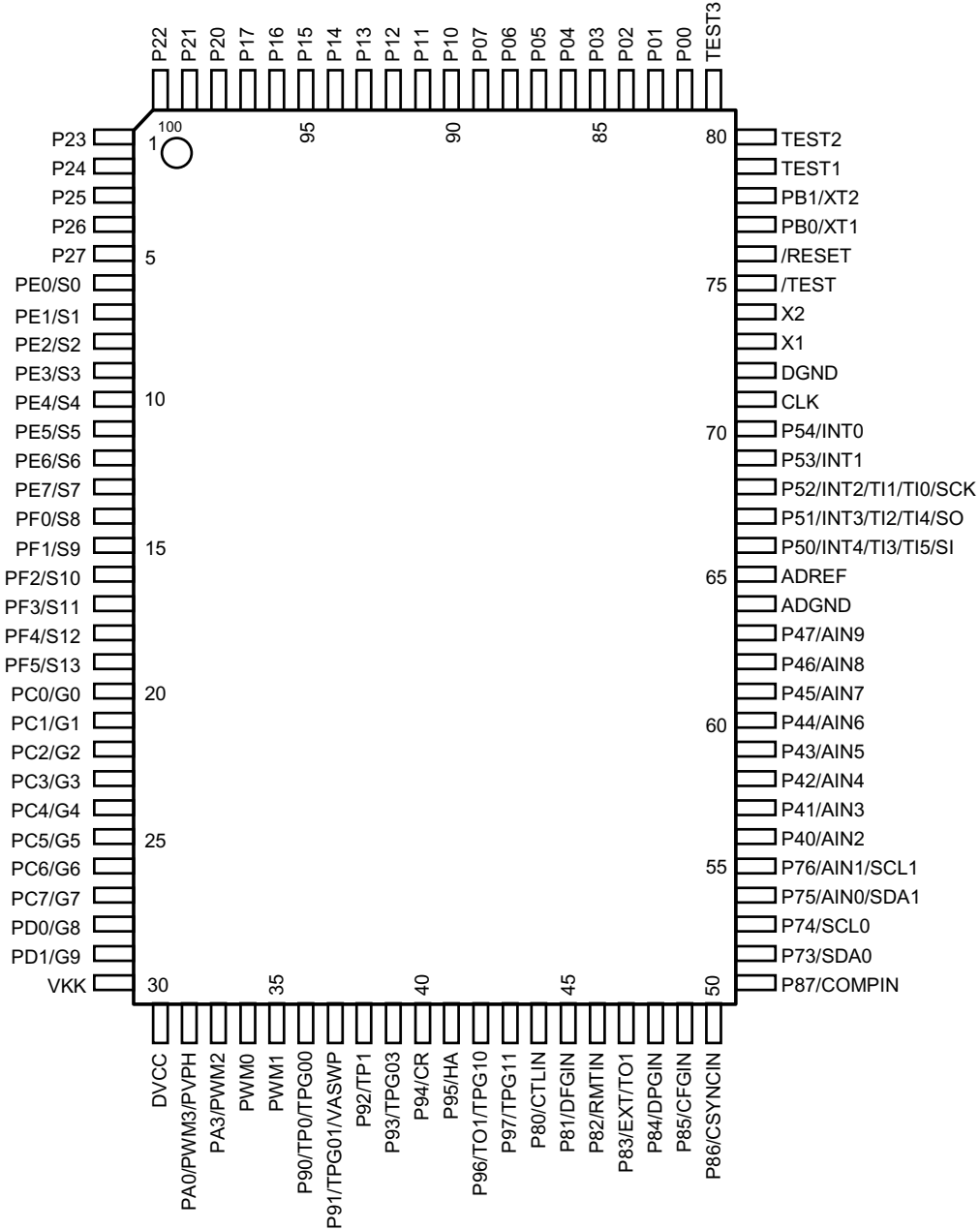


Figure 2.1.1 Pin assignment (100-pin QFP)

2.2 Pin Names and Functions

The names of input/output pins and their functions are described below.

(1) MCU mode

Table 2.2.1 Pin names and function (1/3)

Pin name	Number of pins	I/O	Functions
P00 to P07	8	I/O	port0: I/O ports
P10 to P17	8	I/O	port1: I/O ports
P20 to P27	8	I/O	port2: I/O ports
P40 to P47 AIN2 to AIN9	8	Input Input	port4: Input ports Analog input: Input to AD converter
P50 INT4 TI3 TI5 SI	1	I/O Input Input Input Input	Port50: I/O port (schmitt input) External Interrupt request input 4: Rising edge/Falling edge programmable 16-bit timer3 (TC3) Input 3 16-bit timer5 (TC5) input 5 SIO received data
P51 INT3 TI2 TI4 SO	1	I/O Input Input Input Output	Port51: I/O port (schmitt input) External Interrupt request input 3: Rising edge/Falling edge programmable 16-bit timer2 (TC2): Input 2 16-bit timer4(TC4): input 4 SIO sending data
P52 INT2 TI1 TI0 SCK	1	I/O Input Input Input I/O	Port52: I/O port (schmitt input) External Interrupt request input 2: Rising edge/Falling edge programmable 16-bit timer1 (TC1) Input 1 8-bit Timer0 (TC0) Input 0 SIO clock line
P53 INT1	1	I/O Input	Port53: I/O port (schmitt input) External Interrupt request pin1: Rising edge/Level programmable
P54 INT0	1	I/O Input	Port54: I/O port (schmitt input) External Interrupt request pin0: Rising edge/Falling edge programmable
P73 SDA0	1	I/O I/O	Port73: I/O port (schmitt input, Push-pull or open-drain output selectable) I ² C bus SDA0 line
P74 SCL0	1	I/O I/O	Port74: I/O port (schmitt input, Push-pull or open-drain output selectable) I ² C bus SCL0 line
P75 SDA1 AIN0	1	I/O I/O Input	Port75: I/O port (schmitt input, Push-pull or open-drain output selectable) I ² C bus SDA1 line Analog input 0: Analog input signal for AD converter
P76 SCL1 AIN1	1	I/O I/O Input	Port76: Input port (schmitt input, Push-pull or open-drain output selectable) I ² C bus SCL1 line Analog input 1: Analog input signal for AD converter
P80 CTLIN	1	I/O Input	Port80: I/O port (schmitt input) CTL Capture input (Capture 0)
P81 DFGIN	1	I/O Input	Port81: I/O port (schmitt input) DFG Capture input (Capture 1)

Table 2.2.1 Pin names and function (2/3)

Pin name	Number of pins	I/O	Functions
P82 RMTIN	1	I/O Input	Port82: I/O port (schmitt input) Remote Control Signal Capture input
P83 EXT TO1	1	I/O Input Output	Port83: I/O port (schmitt input) External Capture input (Capture 0) Timer Out 1
P84 DPGIN	1	I/O Input	Port84: I/O port (schmitt input) DPG Capture input (Capture 0)
P85 CFGIN	1	I/O Input	Port85: I/O port (schmitt input) CFG Capture input (Capture 2)
P86 CSYNCIN	1	I/O Input	Port86: I/O port (schmitt input) C.sync Capture input
P87 COMPIN	1	I/O Input	Port87: I/O port (schmitt input) Envelope Compare Input (to HA/CR)
P90 TP0 TPG00	1	I/O Output Output	Port90: I/O port (Push-pull or open-drain output selectable) Timing Pulse output 0 TPG00: TPG0 output
P91 VASWP TPG01	1	I/O Output Output	Port91: I/O port (Push-pull or open-drain output selectable) Video/Audio head switching control signal output TPG01: TPG0 output
P92 TP1	1	I/O Output	Port92: I/O port (Push-pull or open-drain output selectable) Timing Pulse output 1
P93 TPG03	1	I/O Output	Port93: I/O port (Push-pull or open-drain output selectable) TPG03: TPG0 output
P94 CR	1	I/O Output	Port94: I/O port (Push-pull or open-drain output selectable) Color Rotary Output
P95 HA	1	I/O Output	Port95: I/O port (Push-pull or open-drain output selectable) Head Amp Switching Control Output
P96 TO1 TPG10	1	I/O Output Output	Port96: I/O port (Push-pull or open-drain output selectable) Timer Out 1 TPG10: TPG1 output
P97 TPG11	1	I/O Output	Port97: I/O port (Push-pull or open-drain output selectable) TPG11: TPG1 output
PA0 VVPH PWM3	1	I/O Output Output	PortA0: I/O port VVPH 3-state Output PWM(8 bits) output 3
PA3 PWM2	1	I/O Output	PortA3: I/O port (Push-pull or open-drain output selectable) PWM(14 bits) output 2

Table 2.2.1 Pin names and function (3/3)

Pin name	Number of pins	I/O	Functions
PWM0	1	Output	PWM(14 bits) output 0 (Push-pull or open-drain output selectable)
PWM1	1	Output	PWM(14 bits) output 1 (Push-pull or open-drain output selectable)
PB0	1	I/O	PortB0: I/O port (Open-drain Output)
XT1		Input	Low Frequency Oscillator connecting pin
PB1	1	I/O	PortB1: I/O port (Open-drain Output)
XT2		Output	Low Frequency Oscillator connecting pin
PC0 to PC7 G0 to G7	8	Output	PortC: Output (High break down voltage outputs with pull-down resistor)
		Output	Grid Drivers
PD0,1 G8, 9	2	Output	PortD: Output (High break down voltage outputs with pull-down resistor)
		Output	Grid Driver
PE0 to PE7 S0 to S7	8	I/O	PortE: I/O ports (High break down voltage outputs with pull-down resistor)
		Output	Segment Driver
PF0 to PF5 S8 to S13	6	I/O	PortF: I/O ports (High break down voltage outputs with pull-down resistor)
		Output	Segment Driver
TEST1	1	Output	TEST1 should be connected with TEST2 pin.
TEST2	1	Input	
TEST3	1	Output	TEST3 (NC) should be open connection.
CLK	1	Output	Clock output: Output (System Clock ÷ 2) clock. Pulled-up during reset. Can be set to output disable for reducing noise.(Initial Disable)
$\overline{\text{TEST}}$	1	Input	Test pin: Always set to "Vcc" level
$\overline{\text{RESET}}$	1	Input	Reset: Initializes LSI. (with pull-up resistor)
X1	1	Input	High Frequency Oscillator connecting pins (16 MHz)
X2	1	Output	High Frequency Oscillator connecting pins (16 MHz)
VKK	1		VFT Driver power supply pin
DVCC	1		Power supply pin
DGND	1		GND pin (0 V)
ADREF	1		Reference Voltage input for AD converter
ADGND	1		GND pin for AD converter

(2) PROM mode

Table 2.2.2 shows pin function of the TMP93PF76F in PROM mode.

Table 2.2.2 Pin name and function of PROM mode

Pin Function	Number of Pins	I/O	Function	Pin Name (MCU mode)
A7 to A0	8	Input	PROM address input	P27 to P20
A15 to A8	8	Input		P17 to P10
A16	1	Input		PA0
A17	1	Input		P92
A18	1	Input		PA3
D7 to D0	8	I/O	PROM data input/output	P07 to P00
\overline{CE}	1	Input	Chip enable	P93
\overline{OE}	1	Input	Output control	P91
VPP	1	Power supply	12.5 V/5 V (Program power supply voltage)	\overline{TEST}
VCC	1	Power supply	6.25 V/5 V	VCC
VSS	2	Power supply	0 V	DGNG, ADGND
Pin Function	Number of Pins	I/O	Treatment of Pin	
P90	1	Input	Fix to low level (security pin)	
RESET	1	Input	Fix to low level (PROM mode)	
CLK	1	Input		
TEST3	1	Output		
X1	1	Input	Self oscillation with resonator	
X2	1	Output		
P76, P75, P97 to P94	6	I/O	Fix to high level	
TEST1 / TEST2	2	Output / Input	Short	
P47 to P40 P54 to P50 P74, P73 P87 to P80 PB1, PB0 PC7 to PC0 PD1, PD0 PE7 to PE0 PF5 to PF0 PWM0 PWM1 ADREF VKK	53	I/O	Open	

3. Operation

This section describes the functions and basic operational blocks of the TMP93PF76F.

The TMP93PF76F has PROM in place of the mask ROM which is included in the TMP93CW76. The other configuration and functions are the same as the TMP93CF76/77F. Regarding the function of the TMP93PF76F (not described), see the part of TMP93CF76/77F.

The TMP93PF76F has two operational modes : MCU mode and PROM mode.

3.1 MCU Mode

(1) Mode-setting and function

The MCU mode is set by opening the CLK pin (pin open). In the MCU mode, the operation is same as TMP93CF76/77F.

(2) Memory-map

The memory map of TMP93PF76F is same as that of TMP93CF76F. Figure 3.1.1 shows the memory map in MCU mode. Figure 3.1.2 show that in PROM mode.

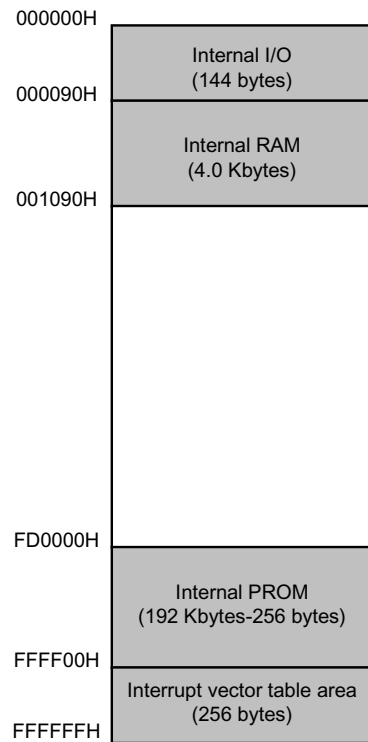


Figure 3.1.1 Memory map in MCU mode

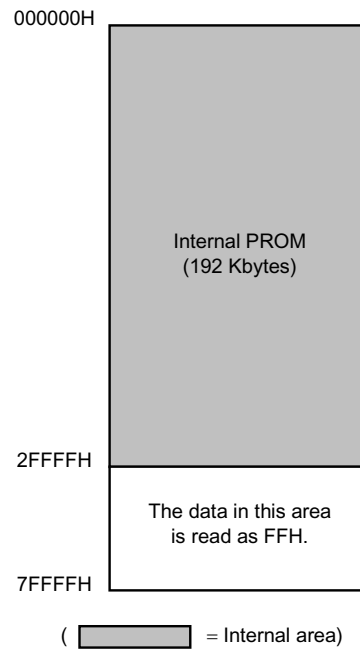


Figure 3.1.2 Memory map in PROM mode

ROM areas of TMP93CF76/77F are shown in Table 3.1.1. When TMP93PF76F is used as the evaluation-chip for TMP93CF77, the programmable area located address 00000H to 07FFFFH should be full of data FFH.

Table 3.1.1 Memory of TMP93CF76/77

Product No.	ROM Area	
	MCU Mode	PROM Mode
TMP93CF76	FD0000H to FFFFFFFH	00000H to 2FFFFH
TMP93CF77	FD8000H to FFFFFFFH	08000H to 2FFFFH

4. Electrical Characteristics

4.1 Absolute Maximum Rating

Parameter	Symbol	Rating	Unit
Power Supply Voltage	V _{CC}	-0.5 to 6.5	V
Input Voltage	V _{IN}	-0.5 to V _{CC} + 0.5	
Output Voltage (except PC, PD, PE, PF)	V _{OUT1}	-0.5 to V _{CC} + 0.5	
Output Voltage (PC, PD, PE, PF)	V _{OUT2}	V _{CC} -40	
Output Current (except PC, PD, PE, PF) (per 1 pin)	I _{OH1}	-3.2	mA
Output Current (PC, PD) (per 1 pin)	I _{OH2}	-25	
Output Current (PE, PF) (per 1 pin)	I _{OH3}	-15	
Output Current (per 1 pin)	I _{OL}	3.2	
Output Current (total except PC, PD, PE, PF)	ΣI _{OH1}	-40	
Output Current (total of PC, PD, PE, PF)	ΣI _{OH2}	-120	
Output Current (total)	ΣI _{OL}	120	
Power Dissipation (T _a = 70°C)	PD	600	mW
Soldering Temperature	T _{solder}	260	°C
Storage Temperature	T _{stg}	-65 to 150	
Operating Temperature	T _{opr}	-20 to 70	

Note: The absolute maximum ratings are rated values which must not be exceeded during operation, even for an instant. Any one of the ratings must not be exceeded. If any absolute maximum rating is exceeded, a device may break down or its performance may be degraded, causing it to catch fire or explode resulting in injury to the user. Thus, when designing products which include this device, ensure that no absolute maximum rating value will ever be exceeded.

4.2 DC Characteristics

Ta = -20 to 70°C

Parameter		Symbol	Condition	Min	Typ.	Max	Unit		
Power Supply Voltage		Vcc	fc = 4 to 16 MHz	4.5		5.5	V		
			fs = 30 to 34 kHz	2.7					
Input Low Voltage	P0, P1, P2, P4, P9, PA, PB, PE, PF	VIL1 (CMOS)	Vcc = 2.7 to 5.5 V	-0.3		0.3 Vcc			
	RESET, P5, P7, P8	VIL2 (Schmitt)				0.25 Vcc			
	TEST	VIL3 (Fixed)				0.3			
	X1	VIL4 (Xtal)				0.2 Vcc			
Input High Voltage	P0, P1, P2, P4, P9, PA, PB, PE, PF	VIL1 (CMOS)		0.7 Vcc			Vcc + 0.3		
	RESET, P5, P7, P8	VIH2 (Schmitt)		0.75 Vcc					
	TEST	VIH3 (Fixed)		Vcc - 0.3					
	X1	VIH4 (Xtal)		0.8 Vcc					
Output Low Voltage		VOL	IOL = 1.6 mA (Vcc = 2.7 to 5.5 V)			0.45	V		
Output High Voltage		VOH	IOH = -400 µA (Vcc = 2.7 to 5.5 V)	2.4			V		
		VOH1	IOH = -700 µA (Vcc = 4.5 to 5.5 V)	4.1					
PE, PF	IOH		Vcc = 4.5 V	-5			mA		
PC, PD			VOH = 2.4 V	-15					
Input Leakage Current		ILI	0.0 ≤ Vin ≤ Vcc		0.02	±5	µA		
Output Leakage Current		ILO	0.2 ≤ Vin ≤ Vcc-0.2		0.05	±10	µA		
Power Down Voltage		VSTOP	VIL2 = 0.2 Vcc, VIH2 = 0.8 Vcc	2.0		6.0	V		
Pull Up Resistor		RRST	Vcc = 5 V ± 10%	50		150	kΩ		
			Vcc = 3 V ± 10%	80		200			
Pin Capacitance		CIO	osc = 1 MHz/100 mVp-p			10	pF		
Schmitt Width RESET, P5, P7, P8		VTH			1.0		V		
NORMAL		Icc	Vcc = 5 V ± 10% fc = 16 MHz			30	50	mA	
						RUN	18		28
						IDLE2	15		25
						IDLE1	5		8
						SLOW	50		80
SLOW		Icc	Vcc = 3 V ± 10% fs = 32.768 kHz (typ: VCC = 3.0 V)			50	80	µA	
						RUN	30		45
						IDLE2	25		40
						IDLE1	6		15
STOP			Vcc = 2.7 to 5.5 V		0.2	10			

Note 1: Typical value are for Ta = 25°C and Vcc = 5 V unless otherwise noted.

Note 2: Icc measurement conditions (NORMAL, SLOW).

Only CPU is operational; output pins are open and input pins are fixed.

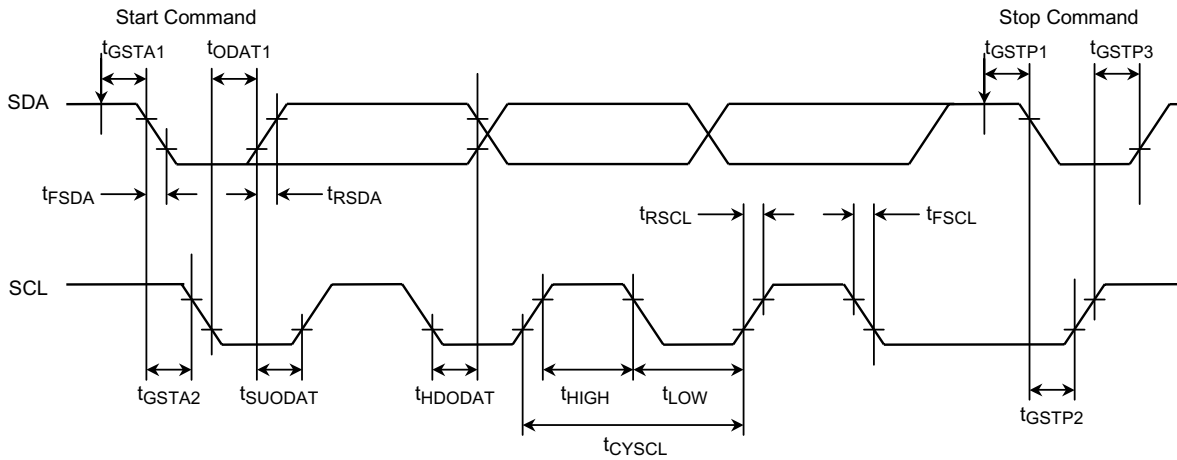
4.3 AD Conversion Characteristics

Ta = -20 to 70°C, Vcc = 4.5 to 5.5 V

Parameter	Symbol	Min	Typ.	Max	Unit
Analog Reference Voltage Supply	ADREF	Vcc-1.5	Vcc	Vcc	V
	ADGND	Vss	Vss	Vss	V
Analog Input Voltage Range	VAIN	ADGND	—	ADREF	V
Analog Current for ADREF	IREF	—	1.0	1.5	mA
Total tolerance (excludes quantization error) (Ta = 25°C, Vcc = ADREF = 5 V)	E _T	—	—	±3	LSB

4.4 Serial BUS Interface Timing

(1) I²C bus Logic Timing



Parameter	Symbol	Min	Typ.	Max	Unit
SCL cycle	t_{CYCSCL}	$2^N/fc$	—	—	s
SCL low pulse width	t_{LOW}	—	$2^{N-1}/fc$	—	s
SCL High pulse width	t_{HIGH}	$2^{N-1}/fc$	—	—	s
SDA Rising Time (Note 1)	t_{RSDA}	—	—	—	s
SDA Falling Time (Note 1)	t_{FSDA}	—	—	—	s
SCL Rising Time (Note 1)	t_{RSCL}	—	—	—	s
SCL Falling Time (Note 1)	t_{FSCL}	—	—	—	s
The time from start command write to start sheecense	t_{GSTA1}	—	—	$2^N/fc$	s
Start condition hold time, start generation of the first clock after this	t_{GSTA2}	—	$2^{N-1}/fc$	—	s
Delay time from SCL falling to data output (Note 2)	t_{ODAT1}	—	—	$5/fc$	s
Set up time of data output for SCL rising (Note 2)	t_{SUODAT}	0	—	—	s
The time of holding data for SCL rising (Note 3)	t_{HDODAT}	$4/fc$	—	—	s
The time from stop command write to starting stop sheecense	t_{GSTP1}	—	—	$2^{N-1}/fc$	s
The time from SDA falling to SCL rising (during stop sheecense)	t_{GSTP2}	$2^{N-2}/fc$	—	—	s
Stop condition set up time	t_{GSTP3}	$2^{N-1}/fc$	—	—	s

Note 1: The time of rising/falling depend on the feature of bus interface.

Note 2: The worst case is at the first bit of slave address.

Note 3: The worst case is at the acknowledge bit.

Note 4: N: Diving value set by I2CCR1 <SCK 2:0>

SCK	N
000	6
001	7
010	8
011	9
100	10
101	11
110	12
111	reserved

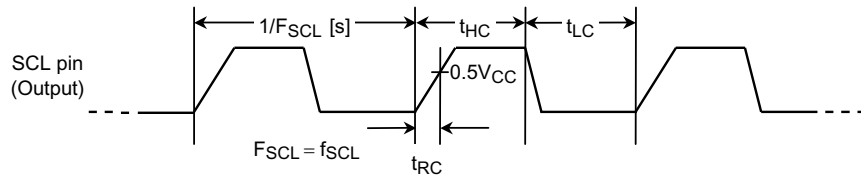
(2) Master SCL output timing

The I2CCR1 <SCK 2:0> are used to select a maximum transfer frequency directed from the SCL pin in the master mode. When rising time of the output clock (t_{RC}) is at least $8/f_c$ [s], a high-level time of the output clock (t_{HC}) is t_{SCL} .

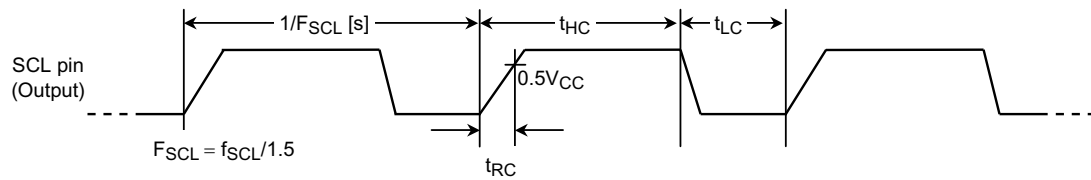
While the SCL line is fixed to low-level by a slave device, the output clock stops.

The first clock (t_{HC} [s]) after restart is $(t_{SCL}/2) \leq t_{HC} \leq t_{SCL}$.

(a) In case of $t_{RC} < (8/f_c)$ [s] $t_{HC} = t_{LC} = t_{SCL}/2$ [s] ($t_{SCL} = 1/f_{SCL}$ [s])



(b) In case of $t_{RC} \geq (8/f_c)$ [s] $t_{HC} = t_{SCL}$ [s], $t_{LC} = t_{SCL}/2$ [s]



(3) Clock Syncro 8 bit SIO mode

a. SCK Input mode

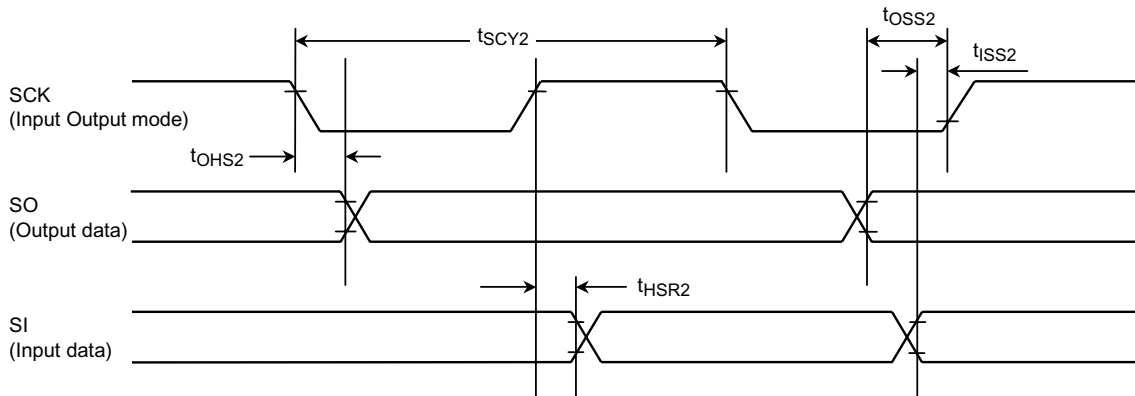
Parameter	Symbol	Expression		Unit
		Min	Max	
SCK cycle	t_{SCY2}	$2^5 X$		s
SCK falling → Latch output data	t_{OHS2}	$6X$		s
Enable output data → SCK raising	t_{OSS2}		$t_{SCY2} - 16X$	s
SCK raising → Latch input data	t_{HSR2}	$6X$		ns
Enable input data → SCK raising	t_{ISS2}	0		ns

Note: $X = 1/f_c$

b. SCK Output mode

Parameter	Symbol	Expression		Unit
		Min	Max	
SCK cycle	t_{SCY2}	$2^5 X$	$2^{11} X$	s
SCK falling → Latch output data	t_{OHS2}	$2X$		s
Enable output data → SCK raising	t_{OSS2}		$t_{SCY2} - 2X$	s
SCK raising → Latch input data	t_{HSR2}	$2X$		s
Enable input data → SCK raising	t_{ISS2}	0		ns

Note: $X = 1/f_c$



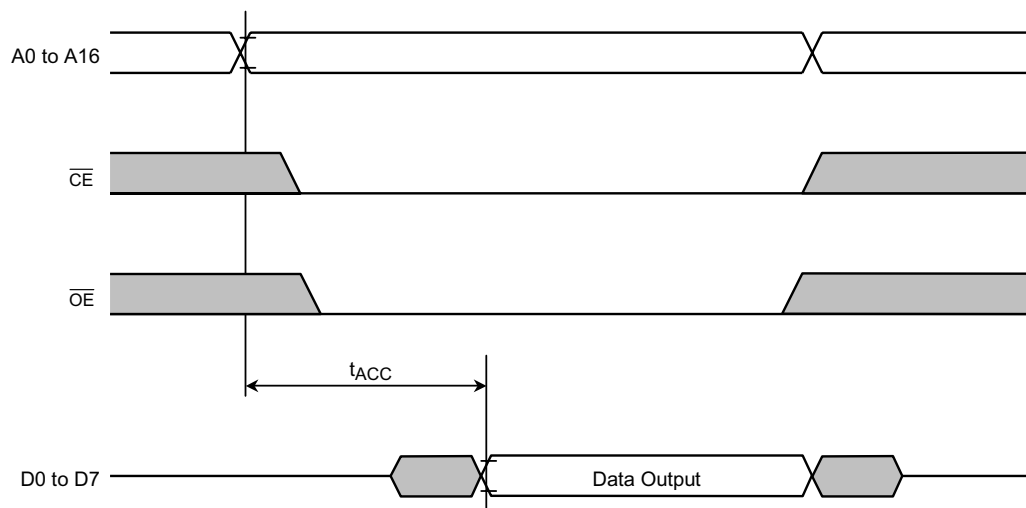
4.5 Read operation in PROM mode

DC/AC characteristics

Ta = 25 + 5°C Vcc = 5 V ± 10 %

Parameter	Symbol	Condition	Min	Max	Unit
V _{PP} Read Voltage	V _{PP}	-	4.5	5.5	V
Input High Voltage (A0 to A16, \overline{CE} , \overline{OE} , \overline{PGM})	V _{IH1}	-	2.2	V _{CC} + 0.3	V
Input low Voltage (A0 to A16, \overline{CE} , \overline{OE} , \overline{PGM})	V _{IL1}	-	-0.3	0.8	V
Address to Output Delay	t _{ACC}	CL = 50 pF	-	2.25T _{CYC} + α	ns

T_{CYC} = 400 ns (10 MHz Clock)
α = 200 ns

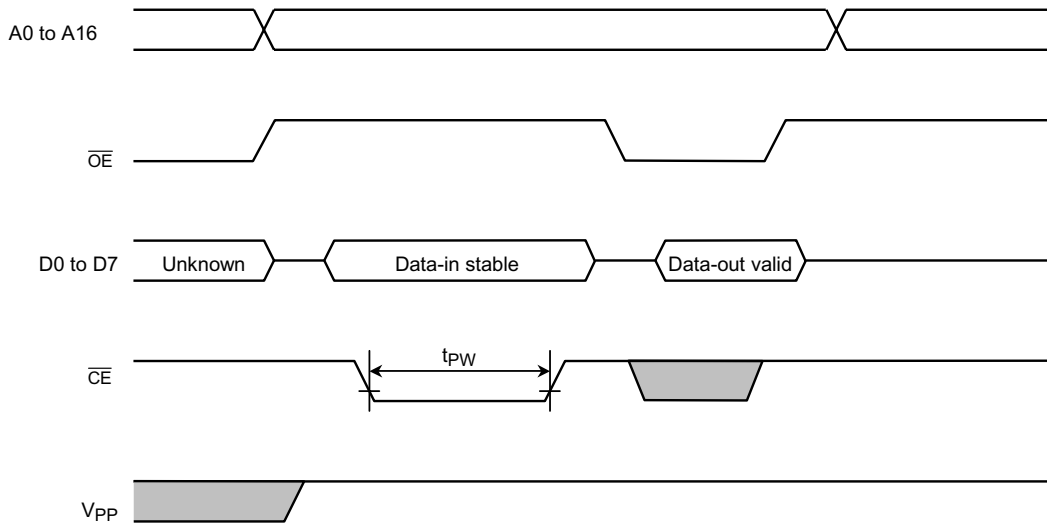


4.6 Program Operation in PROM Mode

DC/AC characteristics

Ta = 25 + 5°C Vcc = 6.25 V ± 0.25 %

Parameter	Symbol	Condition	Min	Typ.	Max	Unit
Programming Supply Voltage	V _{PP}	–	12.2	12.5	12.8	V
Input High Voltage (D0 to D7, A0 to A16, \overline{CE} , \overline{OE} , \overline{PGM})	V _{IH1}	–	2.2		V _{PP} + 1.0	V
Input low Voltage (D0 to D7, A0 to A16, \overline{CE} , \overline{OE} , \overline{PGM})	V _{IL1}	–	–0.3		0.8	V
V _{CC} Supply Current	I _{CC}	f _c = 10 MHz	–		50	mA
V _{PP} Supply Current	I _{PP}	V _{PP} = 13.00 V	–		50	mA
\overline{PGM} Program Pulse Width	PW	C _L = 50 pF	45	50	55	μs



Note 1: The power supply of Vpp (12.5 V) must be set power-on at the same time or the later time for a power supply of Vcc and must be clear power-on at the same time or early time for a power supply of Vcc.

Note 2: The pulling up/down device on condition of Vpp = 12.5 suffers a damage for the device.

Note 3: The maximum spec of Vpp pin is 14.0 V. Be carefull of a overshoot at the programming.

