

160-OUTPUT LCD ROW DRIVER

The μ PD16667 is a row (common) driver which contains a RAM capable of full-dot LCD display. With 160 outputs, this driver can be combined with a column (segment) driver, μ PD16662, which contains a RAM to display 240×160 pixels to 480×320 pixels.

With a built-in display RAM, the column driver can reduce the current consumption, thus making it most suitable for the display block of a PDA or portable terminal.

FEATURES

- LCD-driven voltage: 20 to 36 V
- Duty: 1/160
- Driving type: 2 lines selected simultaneously
- Output count: 160 outputs
- Capable of gray scale display: 4 gray scales

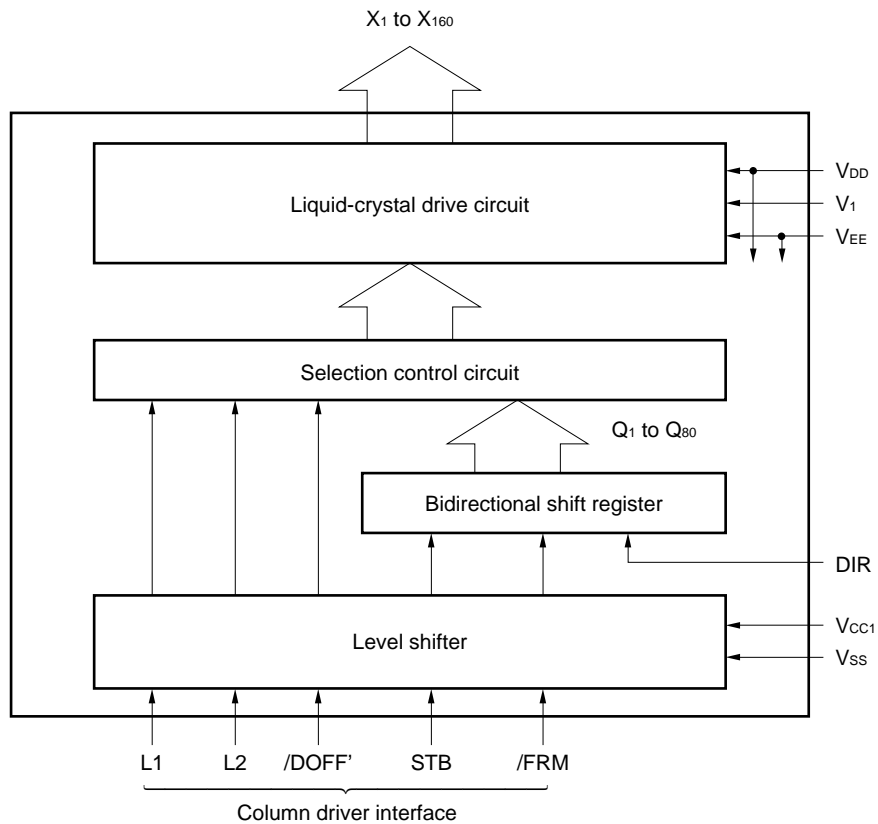
ORDERING INFORMATION

Part No.	Package
μ PD16667N-XXX	TCP (TAB)
μ PD16667N-051	Standard TCP (OLB: 0.2 mm pitch, folding)

★

The external shape of the TCP is custom-made, so please contact an NEC sales representative with your shape requirements.

BLOCK DIAGRAM



Remark /xxx indicates active low signal.

BLOCK FUNCTION

1. Liquid-crystal drive circuit

This circuit selects and outputs the level for liquid-crystal driving. One of V_{DD}, V_{EE}, and V₁ is selected by the output of the selection control circuit.

2. Selection control circuit

This circuit creates the signal which will select the level of the output signal, based on the output of the shift register circuit and the driving level power selection signals L1 and L2

3. Bidirectional shift register circuit

This refers to the 80-bit bidirectional shift register circuit. The DIR signal can be used to switch over the shift direction.

The data that has been entered from the /FRM pin is shifted by the low drive signal strobe (STB).

4. Level shifter circuit

This circuit transforms the 5-V signals to the high-voltage signals for liquid-crystal driving.

PIN FUNCTIONS

Classification	Pin Name	Input/Output	Pad No.	Function
Power supply	V _{CC1} V _{SS} V _{DD} V _{EE} V ₁			5 V power for level shifter GND for level shifter Power for logic, liquid-crystal drive level power Power for logic, liquid-crystal drive level power (GND) Liquid-crystal drive level power
Liquid-crystal display timing	STB /FRM /DOFF' L1 L2 DIR	I I I I I I		Row drive signal strobe Frame signal Display OFF signal Drive level power selection symbol (1st line) Drive level power selection symbol (2nd line) Shift direction selection symbol: when L (DIR = V _{EE}), X ₁ → X ₁₆₀ when H (DIR = V _{DD}), X ₁₆₀ → X ₁
Liquid-crystal drive output	X ₁ to X ₁₆₀	O		Liquid-crystal drive output Selects and outputs one of V _{DD} , V _{EE} , and V ₁ .

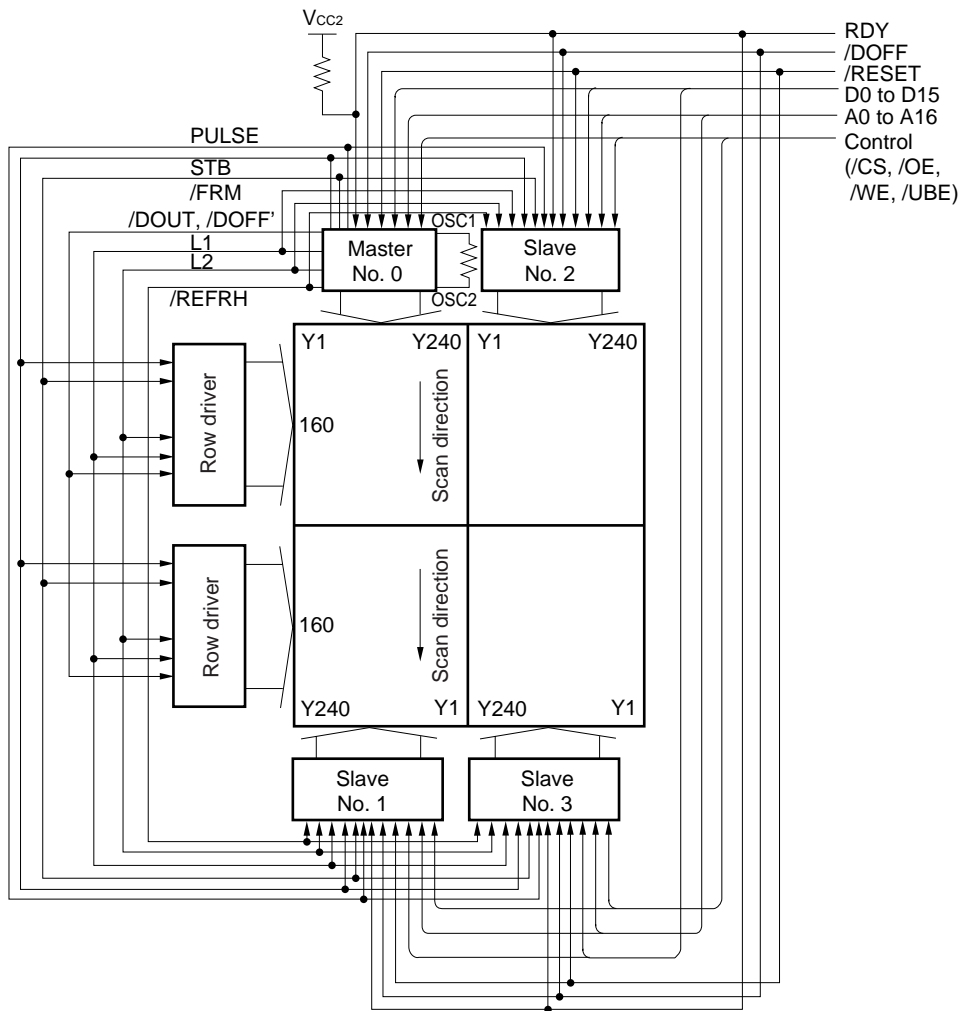
DETAILS OF PIN FUNCTIONS

- STB (input)**
Input pin of the row drive strobe signal
The bidirectional shift register is shifted at STB's rising edge.
- /FRM (input)**
Input pin of the frame signal
The shift register data is read at STB's rising edge.
- DIR (input)**
Input pin of the drive output's shift direction selection signal
When the shift direction selection signal (DIR) is "L", the shift data (selection signal) is shifted from the drive output X₁ to the X₁₆₀ direction. When "H", it is shifted from the X₁₆₀ to the X₁ direction.
- /DOFF' (input)**
Input pin of the display OFF signal
It is placed in the display OFF status (all outputs at V₁) at the "L" level. In the mean time, it reads the frame signal and returns to the normal display status at the "H" level.
- L1 and L2 (input)**
Input pins of the drive level power selection signal
In the case of the liquid-crystal drive output, the two lines are selected simultaneously by the shift register. L1 selects the first line, and L2 selects the second line. Both lines select V_{DD} at "H", and V_{EE} at "L".

★ SYSTEM CONFIGURATION EXAMPLE

This example shows configuration of a liquid-crystal panel of half-VGA size (480 x 320 oblong) using four column drivers and two row drivers.

- Each column driver sets the LSI No. with PL0 and PL1 pins.
- The DIR pins of each column driver are all set to low level.
- Only one of the column drivers is set to the master, all the others are set to the slave. Signals are supplied from the master column driver to the slave column driver and the row driver.
- Connect an oscillator resistor to the OSC1 and OSC2 pins of the master, and leave the slave open.
- Inputs signals from the system (D0 to D15, A0 to A16, /CS, /OE, /WE, /UBE, RDY, /RESET, /DOFF') in parallel to all of the column driver. Connect a pull-up resistor to the RDY signal.
- The TEST pin is used to test the LSI, and is open or GND when the system is configured.



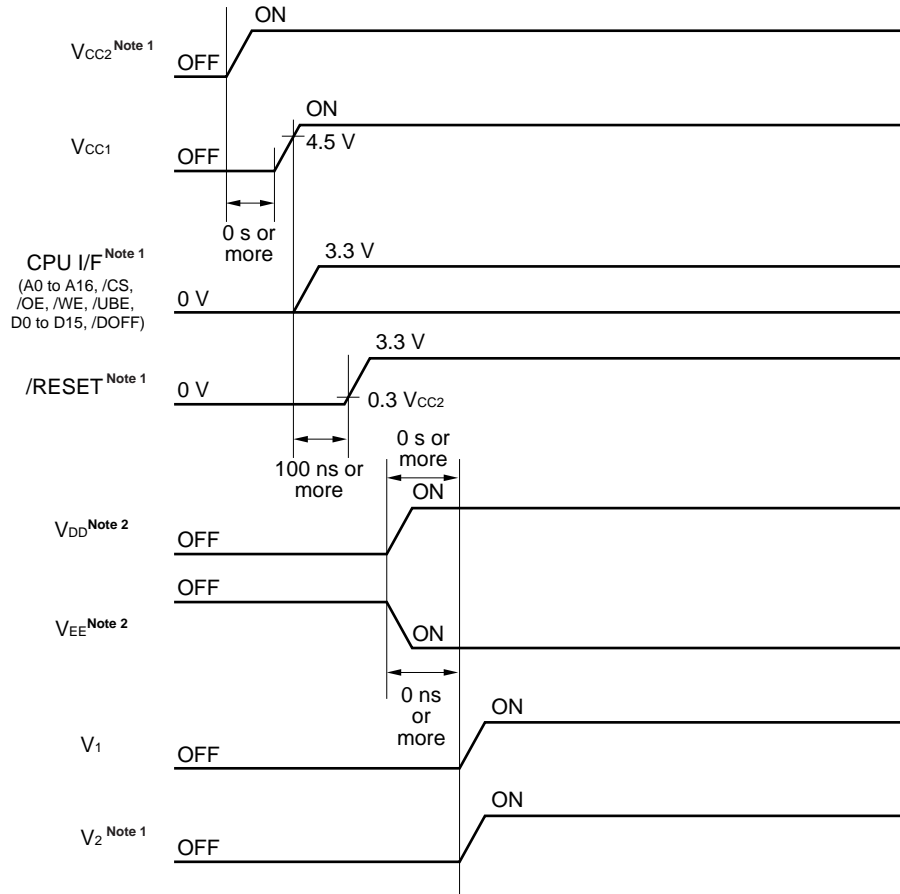
Remark The /DOUT pin is an output pin for the column driver.

★ POWER SUPPLY SEQUENCE OF CHIP SET

It is recommended to apply power in the following sequence.

$V_{CC2} \rightarrow V_{CC1} \rightarrow \text{input} \rightarrow V_{DD}, V_{EE} \rightarrow V_1, V_2$

Be sure to apply LCD drive voltages V_1 and V_2 last.



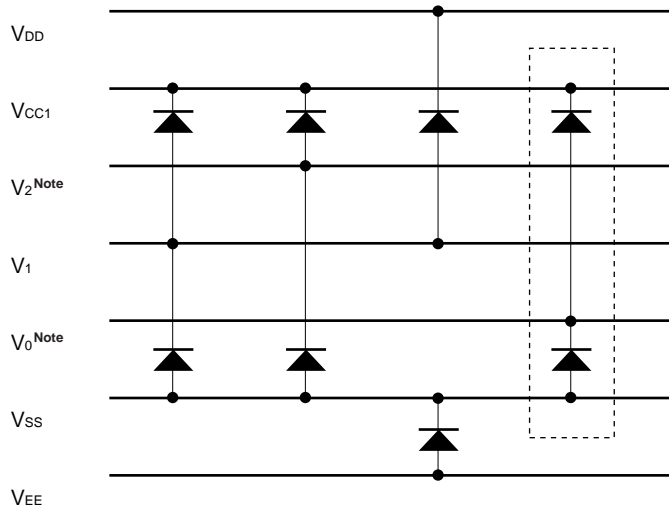
Notes 1. V_{CC2} , CPU I/F, /RESET, and V_2 are column driver power supply pins or input pins.

2. V_{DD} and V_{EE} do not need to be turned ON at the same time.

Caution Turn off the power to the chip set in the reverse order of the power application sequence.

EXAMPLE OF CONNECTING INTERNAL SCHOTTKY BARRIER DIODE OF MODULE TO REINFORCE POWER SUPPLY PROTECTION

(Use a schottky barrier diode with $V_f = 0.5\text{ V}$ or less.)



Connect the diodes enclosed in the dotted line ([]) when V_0 is not 0 V (GND)

Note V_0 and V_2 are column driver liquid-crystal power supplies.

ELECTRICAL SPECIFICATIONS

Absolute Maximum Ratings (T_A = 25 °C, V_{SS} = 0 V)

Parameter	Symbol	Condition	Ratings	Unit
Supply voltage	V _{CC1}		-0.5 to +6.5	V
	V _{DD} - V _{EE}	V _{CC1} ≤ V _{DD} , V _{EE} ≤ V _{SS}	40	
	V ₁		V _{EE} - 0.5 to V _{DD} + 0.5	
Input voltage	V _{I1}	Other than the DIR pin	-0.5 to V _{CC1} + 0.5	
	V _{I2}	DIR pin	V _{EE} - 0.5 to V _{DD} + 0.5	
Output voltage	V _O		V _{EE} - 0.5 to V _{DD} + 0.5	
Operating temperature	T _A		-20 to +70	°C
Storage temperature	T _{stg}		-40 to +125	

★ **Recommended Operating Range (T_A = -20 to +70 °C, V_{SS} = 0 V)**

Parameter	Symbol	Condition	MIN.	TYP.	MAX.	Unit
Supply voltage	V _{CC1}		4.75		5.25	V
	V _{DD} - V ₁		10		18	
	V ₁ - V _{EE}		10		18	
	V ₁		0		3	
Input voltage	V _{I1}	Other than DIR pin	0		V _{CC1}	
	V _{I2}	DIR pin	V _{EE}		V _{DD}	

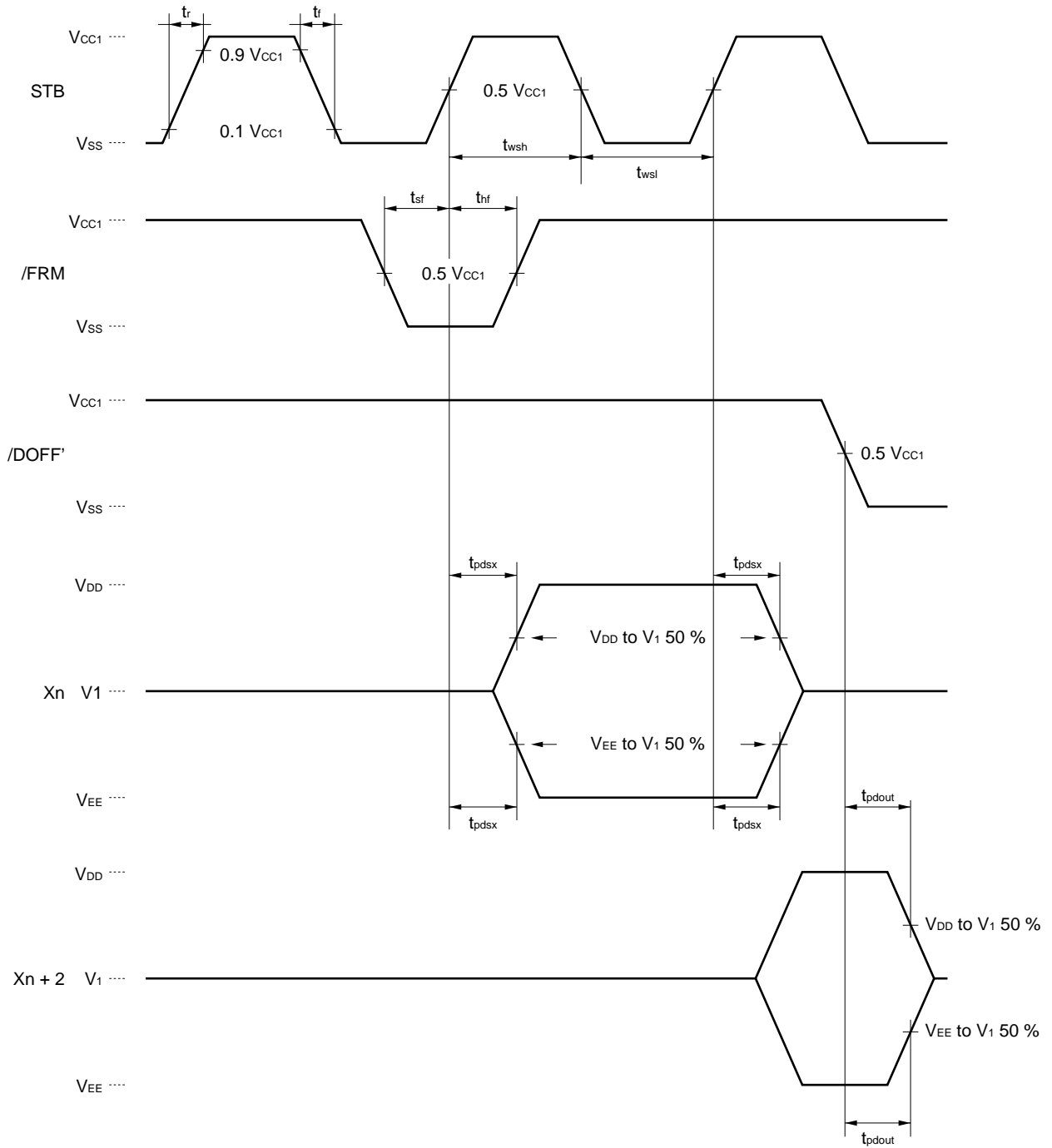
DC Characteristics (unless otherwise specified, V_{CC1} = 4.75 to 5.25 V, V_{DD} - (V_{EE}) = 20 to 31 V, V_{CC1} ≤ V_{DD}, V_{EE} ≤ V_{SS}, V₁ = 0 to 3 V, V_{SS} = 0 V, T_A = -20 to +70 °C)

Parameter	Symbol	Condition	MIN.	TYP.	MAX.	Unit
High-level input voltage	V _{IH1}	Other than the DIR pin	0.8 V _{CC1}			V
	V _{IH2}	DIR pin	V _{DD} - 0.3 (V _{DD} - V _{EE})			
Low-level input voltage	V _{IL1}	Other than the DIR pin			0.2 V _{CC1}	
	V _{IL2}	DIR pin			V _{EE} + 0.3 (V _{DD} - V _{EE})	
Driver ON resistance	R _{ON}	Load current = 100 μA		1.0	2.0	kΩ
Input leakage current	I _{IH1}	V _{IN} = V _{CC} , other than the DIR pin			1.0	μA
	I _{IH2}	V _{IN} = V _{DD} , DIR pin			25	
	I _{IL1}	V _{IN} = 0 V, other than the DIR pin			-1.0	
	I _{IL2}	V _{IN} = V _{EE} , DIR pin			-25	
Current consumption	I _{CC1}	Operating frame frequency at 70 Hz		200	320	μA
	I _{DD}			40	100	

AC Characteristics

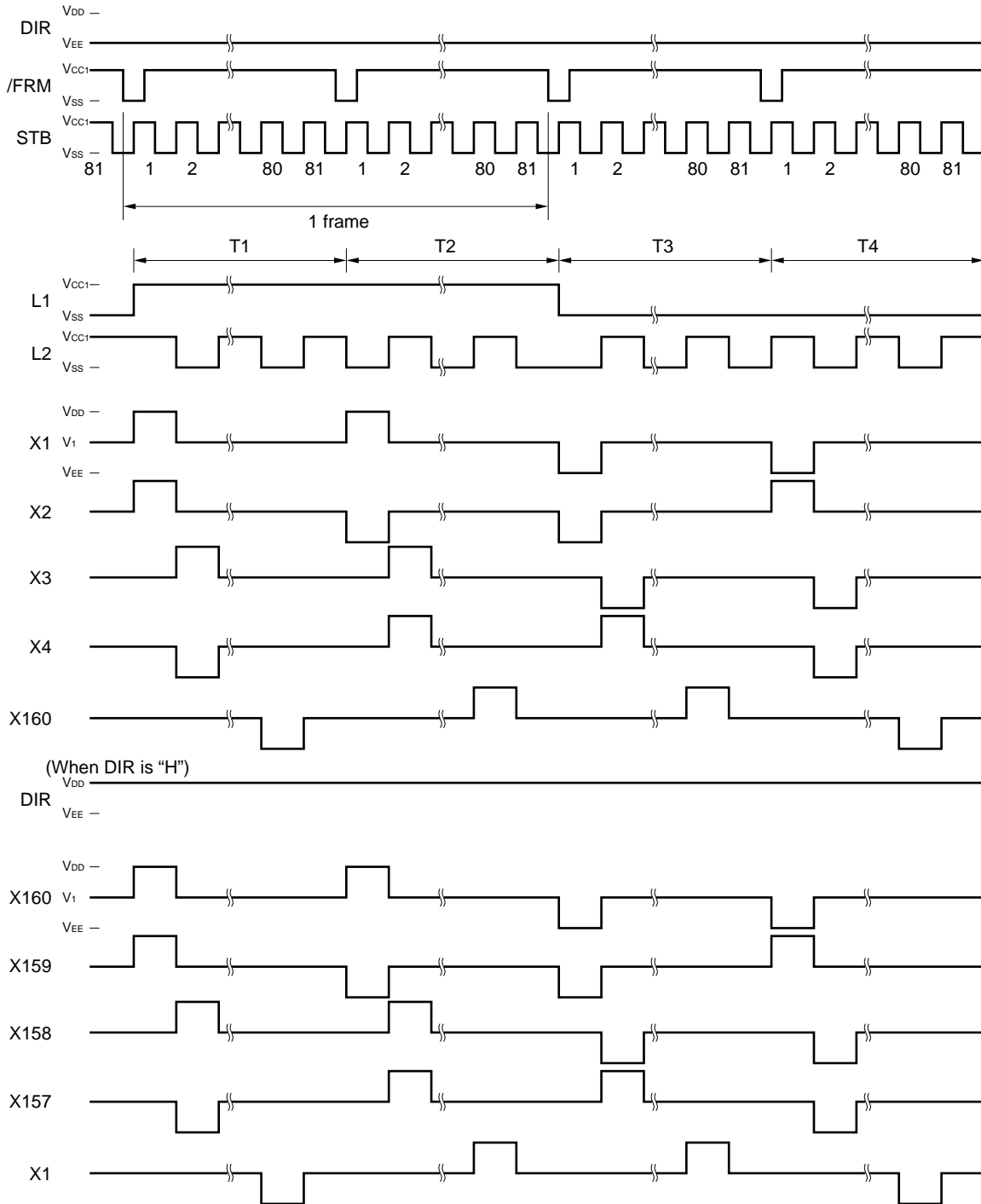
Parameter	Symbol	Condition	MIN.	TYP.	MAX.	Unit
STB high-level width	t_{wsh}		500			ns
STB low-level width	t_{wsl}		500			
/FRM setup time	t_{sf}		100			
/FRM hold time	t_{hf}		100			
STB rising time	t_r				150	
STB falling time	t_f				150	
Output delay time	t_{pdsx}	Output no-load			300	
	t_{pdout}				200	

AC CHARACTERISTICS WAVEFORM DIAGRAMS



LEVEL SELECTION TIMING OF LIQUID-CRYSTAL DRIVE OUTPUT

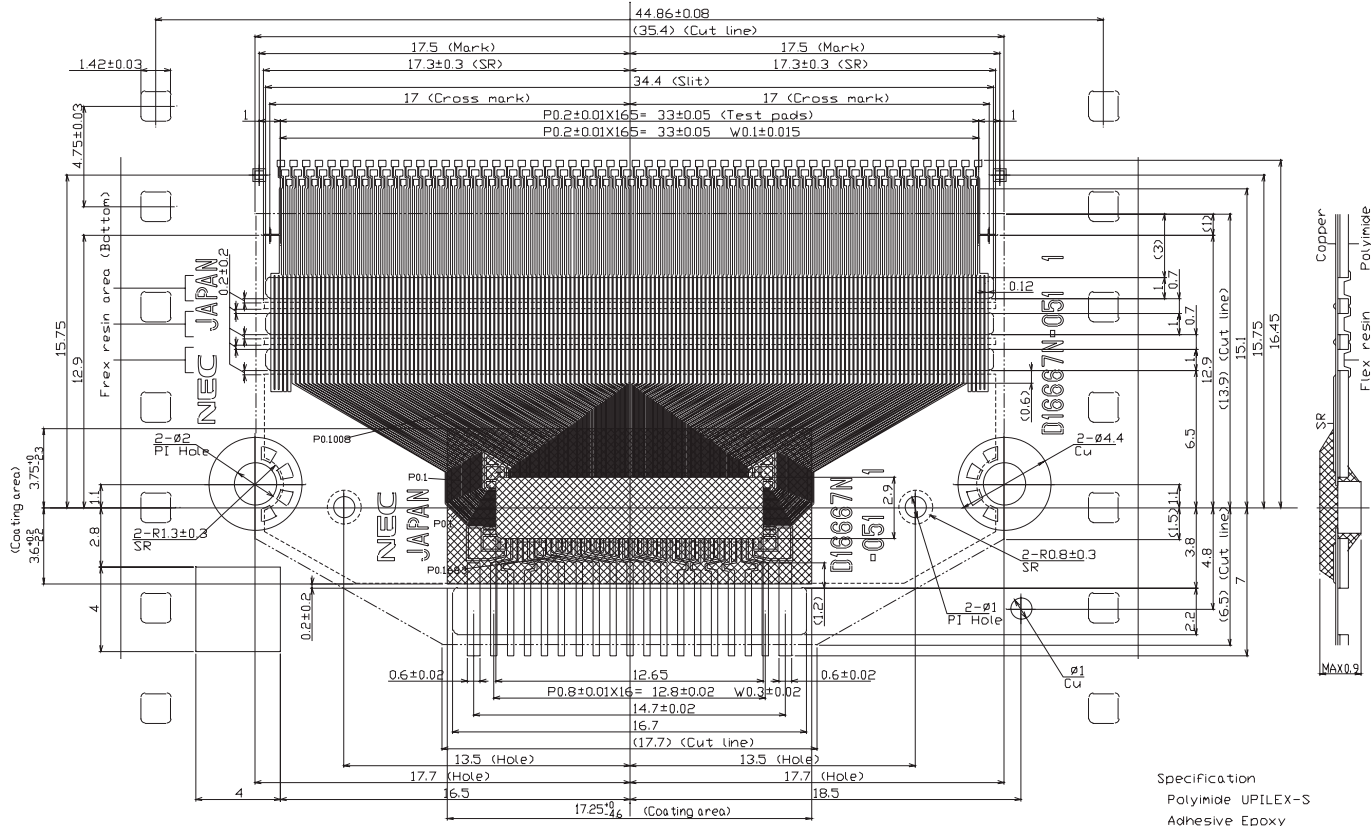
The /FRM is input twice in one frame. The STB is input 81 times in half a frame, and 162 times in one frame.



Remark When /DOFF' is "L", the X output becomes V₁ level. Afterward, if /DOFF' becomes "H", the level of the X output is output with the above timing.

Caution When the time difference between the STB, L1, and L2 signals is large, hazards may occur in output.

★ STANDARD TCP PACKAGE (μPD16667N-051)

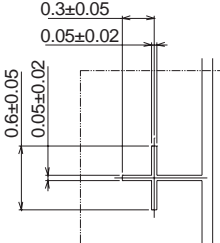


Specification

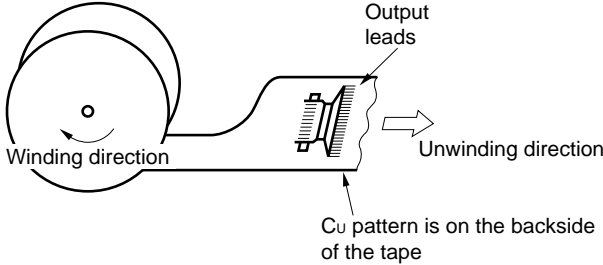
Polyimide	UPILEX-S	75 μm
Adhesive	Epoxy	12 μm
Copper	Electrolysis Cu	25 μm
Plating	Sn	MIN0.25μm
Solder Resist	Epoxy	25 μm

This products is Frex resin type
 This Figure is shown by Copper side
 over Polyimide
 5Sprocket holes(23.75 mm)for 1 Pattern
 Corner radius is 0.30 mm Max.
 All tolerances unless otherwise
 specified 0.05 mm.

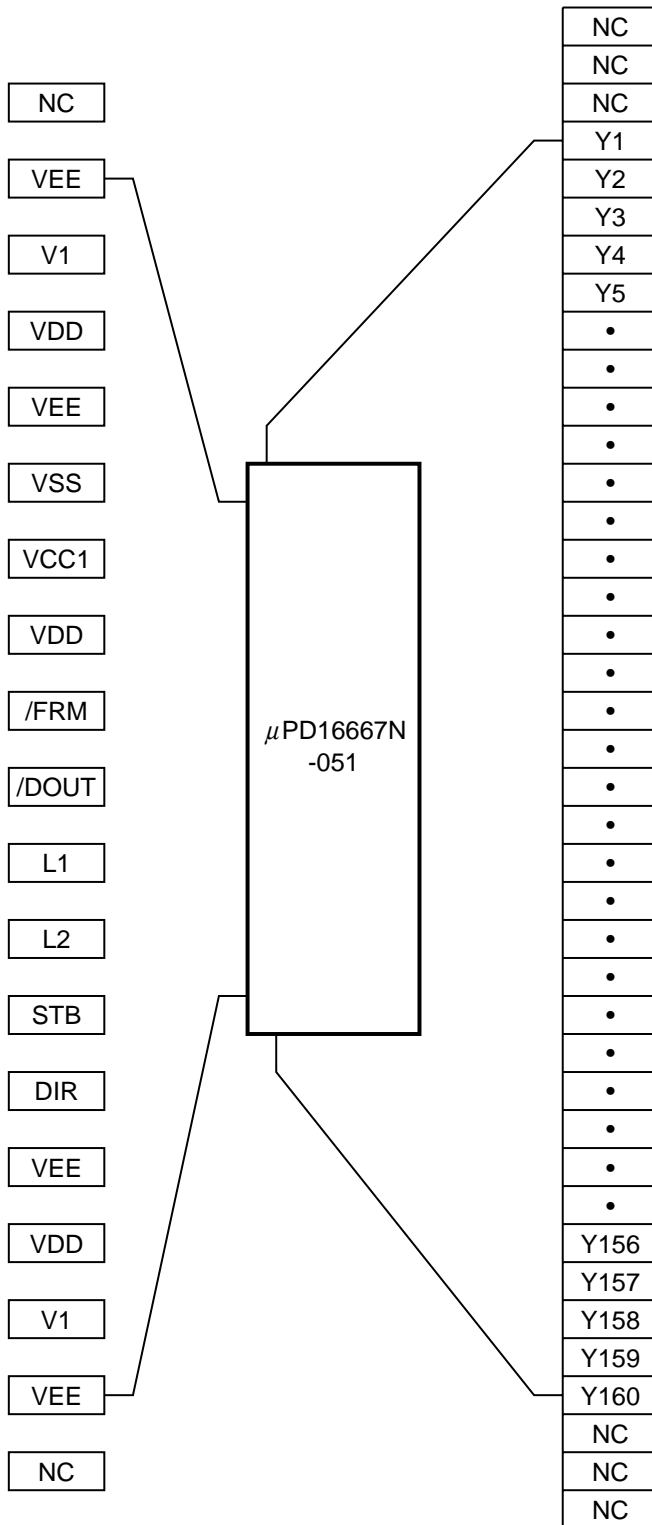
Detail of cross mark



TCP tape winding direction



PIN CONFIGURATION



[MEMO]

[MEMO]

No part of this document may be copied or reproduced in any form or by any means without the prior written consent of NEC Corporation. NEC Corporation assumes no responsibility for any errors which may appear in this document.

NEC Corporation does not assume any liability for infringement of patents, copyrights or other intellectual property rights of third parties by or arising from use of a device described herein or any other liability arising from use of such device. No license, either express, implied or otherwise, is granted under any patents, copyrights or other intellectual property rights of NEC Corporation or others.

While NEC Corporation has been making continuous effort to enhance the reliability of its semiconductor devices, the possibility of defects cannot be eliminated entirely. To minimize risks of damage or injury to persons or property arising from a defect in an NEC semiconductor device, customers must incorporate sufficient safety measures in its design, such as redundancy, fire-containment, and anti-failure features.

NEC devices are classified into the following three quality grades:

"Standard", "Special", and "Specific". The Specific quality grade applies only to devices developed based on a customer designated "quality assurance program" for a specific application. The recommended applications of a device depend on its quality grade, as indicated below. Customers must check the quality grade of each device before using it in a particular application.

Standard: Computers, office equipment, communications equipment, test and measurement equipment, audio and visual equipment, home electronic appliances, machine tools, personal electronic equipment and industrial robots

Special: Transportation equipment (automobiles, trains, ships, etc.), traffic control systems, anti-disaster systems, anti-crime systems, safety equipment and medical equipment (not specifically designed for life support)

Specific: Aircrafts, aerospace equipment, submersible repeaters, nuclear reactor control systems, life support systems or medical equipment for life support, etc.

The quality grade of NEC devices is "Standard" unless otherwise specified in NEC's Data Sheets or Data Books. If customers intend to use NEC devices for applications other than those specified for Standard quality grade, they should contact an NEC sales representative in advance.

Anti-radioactive design is not implemented in this product.