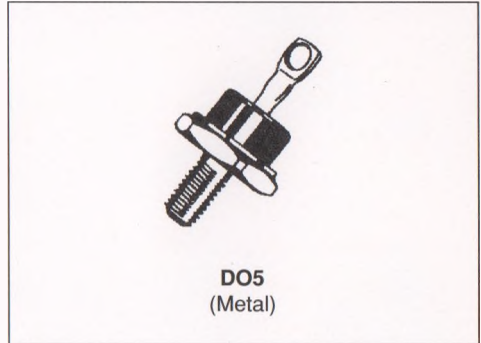


RECTIFIER DIODES

- STANDARD RECTIFIER
- HIGH SURGE CURRENT CAPABILITY
- LOW FORWARD VOLTAGE DROP


ABSOLUTE MAXIMUM RATINGS (limiting values)

Symbol	Parameter	Value	Unit
$I_{F(AV)}$	Average forward current *	$T_c=150^{\circ}\text{C}$ 20	A
I_{FSM}	Surge non repetitive forward current	$t_p=10\text{ms}$ sinusoidal 450	A
P_{tot}	Power dissipation *	$T_c=150^{\circ}\text{C}$ 25	W
T_{stg} T_j	Storage and junction temperature range	- 55 to + 175	$^{\circ}\text{C}$

* Single phase, half wave, resistive or inductive load.

Symbol	Parameter	1N				Unit
		1195A	1196A	1197A	1198A	
V_{RRM}	Repetitive peak reverse voltage	300	400	500	600	V

THERMAL RESISTANCE

Symbol	Parameter	Value	Unit
$R_{th(j-c)}$	Junction to case	1	$^{\circ}\text{C}/\text{W}$

ELECTRICAL CHARACTERISTICS

Symbol	Test Conditions		Min.	Typ.	Max.	Unit
V_F *	$T_j = 25^{\circ}\text{C}$	$I_F = 70\text{ A}$			1.5	V
I_R **	$T_j = 150^{\circ}\text{C}$	$V_R = V_{RRM}$			5	mA

Pulse test : * $t_p = 380\ \mu\text{s}$, duty cycle < 2 %

** $t_p = 5\ \text{ms}$, duty cycle < 2 %