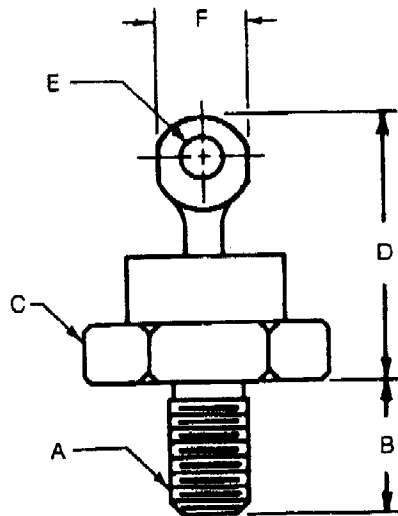


## Silicon Power Rectifiers

### 18 AMP - DO5

JEDEC Numbers	Peak Reverse Voltage
1N248, 1N1191, 1N1191A, 1N2793	50
1N249, 1N1192, 1N1192A, 1N2794	100
1N1193, 1N1193A, 1N2021, 1N2795	150
1N250, 1N1194, 1N1194A, 1N2796	200
1N2022, 1N2797	250
1N1195, 1N1195A, 1N2023, 1N2798	300
1N2024, 1N2799	350
1N1196, 1N1196A, 1N2025, 1N2800	400
	450
1N1197, 1N1197A	500
1N1198, 1N1198A	600

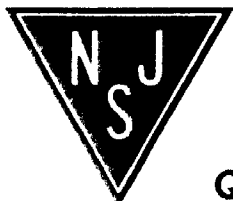
JEDEC Numbers	Peak Reverse Voltage
1N248A, 1N248B, 1N248C, 1N1301, 1N1434, 1N2154, 1N3208	50
1N249A, 1N249B, 1N249C, 1N1302, 1N1435, 1N2155, 1N3209	100
	150
1N250A, 1N250B, 1N250C, 1N1304, 1N1436, 1N2156, 1N3210	200
	250
1N1306, 1N2157, 1N3211	300
	350
1N1437, 1N2158, 1N3212	400
	450
1N2159	500
1N1438, 1N2160	600



Dim	Inches		Millimeters		Notes
	Minimum	Maximum	Minimum	Maximum	
A					1
B	.44	.468	11.11	11.89	2
C	.67	.69	16.94	17.46	
D	---	1.00	---	25.40	
E	.15	.19	3.81	4.69	
F	---	.28	---	7.14	

**Note 1:**  
 1/4"-28 UNF-2A

**Note 2:**  
 Across Flats



NJ Semi-Conductors reserves the right to change test conditions, parameter limits and package dimensions without notice. Information furnished by NJ Semi-Conductors is believed to be both accurate and reliable at the time of going to press. However, NJ Semi-Conductors assumes no responsibility for any errors or omissions discovered in its use. NJ Semi-Conductors encourages customers to verify that datasheets are current before placing orders.

**Quality Semi-Conductors**