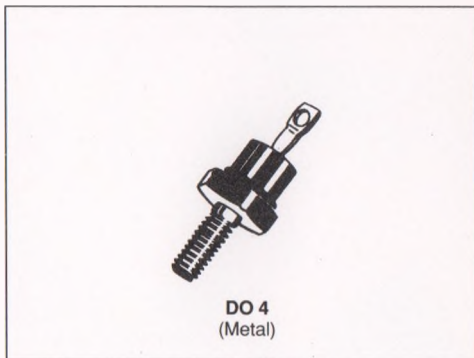


**RECTIFIER DIODES**

- STANDARD RECTIFIER
- HIGH SURGE CURRENT CAPABILITY
- LOW FORWARD VOLTAGE DROP


**ABSOLUTE RATINGS** (limiting values)

| Symbol             | Parameter   | Value       | Unit             |
|--------------------|---|-------------|------------------|
| $I_F$ (AV)         | Average Forward Current*<br>$T_c = 125^\circ\text{C}$                     | 12          | A                |
| $I_{FSM}$          | Surge non Repetitive Forward Current<br>$t_p = 10\text{ms}$<br>Sinusoidal | 230         | A                |
| $P_{tot}$          | Power Dissipation*<br>$T_c = 125^\circ\text{C}$                           | 12.5        | W                |
| $T_{stg}$<br>$T_j$ | Storage and Junction Temperature Range                                    | - 40 to 150 | $^\circ\text{C}$ |

| Symbol    | Parameter                       | BYW 88- |     |     |     |     |     |     |     |      | Unit |
|-----------|---------------------------------|---------|-----|-----|-----|-----|-----|-----|-----|------|------|
|           |                                 | 50      | 100 | 200 | 300 | 400 | 500 | 600 | 800 | 1000 |      |
| $V_{RRM}$ | Repetitive Peak Reverse Voltage | 50      | 100 | 200 | 300 | 400 | 500 | 600 | 800 | 1000 | V    |

**THERMAL RESISTANCE**

| Symbol        | Parameter     | Value | Unit               |
|---------------|---------------|-------|--------------------|
| $R_{th(j-c)}$ | Junction-case | 2     | $^\circ\text{C/W}$ |

**ELECTRICAL CHARACTERISTICS**

| Symbol | Test Conditions           |                    | Min. | Typ. | Max. | Unit |
|--------|---------------------------|--------------------|------|------|------|------|
| $I_R$  | $T_j = 125^\circ\text{C}$ | $V_R = V_{RRM}$    |      |      | 3    | mA   |
| $V_F$  | $T_j = 25^\circ\text{C}$  | $I_F = 35\text{A}$ |      |      | 1.25 | V    |

\* Single phase, half wave, resistive or inductive load