

CMSH1-20
 CMSH1-40
 CMSH1-60
 CMSH1-100

**SCHOTTKY BARRIER RECTIFIER
 1.0 AMP, 20 THRU 100 VOLTS**



SMB CASE

Central™
Semiconductor Corp.

FEATURES:

- LOW COST
- SUPERIOR LOT TO LOT CONSISTENCY
- HIGH RELIABILITY
- "C" BEND CONSTRUCTION PROVIDES STRAIN RELIEF WHEN MOUNTED ON PC BOARD
- SPECIAL SELECTIONS AVAILABLE

DESCRIPTION:

The CENTRAL SEMICONDUCTOR 1.0 Amp Surface Mount Silicon Rectifier is a high quality, well constructed, highly reliable component designed for use in all types of commercial, industrial, entertainment, computer, and automotive applications. To order devices on 12mm Tape and Reel (3000/13" Reel), add TR13 suffix to part number.

MARKING CODES: SEE MARKING CODE TABLE ON FOLLOWING PAGE

MAXIMUM RATINGS: ($T_A=25^\circ\text{C}$ unless otherwise noted)

	SYMBOL	CMSH1 -20	CMSH1 -40	CMSH1 -60	CMSH1 -100	UNITS
Peak Repetitive Reverse Voltage	V_{RRM}	20	40	60	100	V
DC Blocking Voltage	V_R	20	40	60	100	V
RMS Reverse Voltage	$V_{R(RMS)}$	14	28	42	70	V
Average Forward Current ($T_A=75^\circ\text{C}$)	I_O			1.0		A
Peak Forward Surge Current (8.3ms)	I_{FSM}			30		A
Operating and Storage						
Junction Temperature	T_J, T_{stg}		-65 to +150			$^\circ\text{C}$
Thermal Resistance	θ_{JL}		20			$^\circ\text{C/W}$

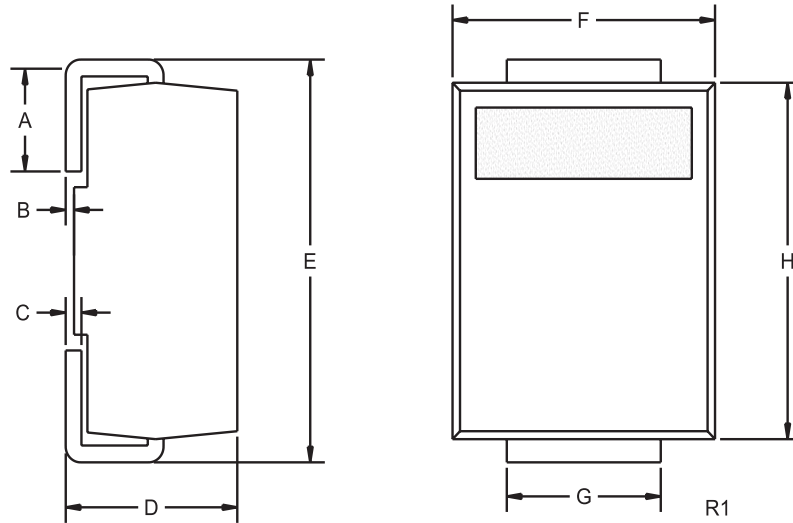
ELECTRICAL CHARACTERISTICS: ($T_A=25^\circ\text{C}$ unless otherwise noted)

SYMBOL	TEST CONDITIONS	MIN	TYP	MAX	UNITS
I_R	$V_R=\text{Rated } V_{RRM}$			0.50	mA
I_R	$V_R=\text{Rated } V_{RRM}, T_A=125^\circ\text{C}$			20	mA
V_F	$I_F=1.0\text{A}$ (CMSH1-20 AND CMSH1-40)			0.55	V
V_F	$I_F=1.0\text{A}$ (CMSH1-60)			0.70	V
V_F	$I_F=1.0\text{A}$ (CMSH1-100)			0.85	V
C_J	$V_R=4.0\text{V}, f=1.0\text{MHz}$, (CMSH1-20 AND CMSH1-40)		110		pF
C_J	$V_R=4.0\text{V}, f=1.0\text{MHz}$, (CMSH1-60)		80		pF
C_J	$V_R=4.0\text{V}, f=1.0\text{MHz}$, (CMSH1-100)		50		pF

R2 (26-September 2002)

SCHOTTKY BARRIER RECTIFIER
1.0 AMP, 20 THRU 100 VOLTS

SMB CASE - MECHANICAL OUTLINE



DEVICE	MARKING CODE
CMSH1-20	CS20
CMSH1-40	CS40
CMSH1-60	CS60
CMSH1-100	CS100

SYMBOL	DIMENSIONS		MILLIMETERS	
	INCHES		MIN	MAX
A	0.030	0.060	0.76	1.52
B	0.004	0.008	0.10	0.20
C	0.006	0.012	0.15	0.30
D	0.086	0.096	2.18	2.44
E	0.200	0.220	5.08	5.59
F	0.130	0.150	3.30	3.81
G	0.077	0.083	1.96	2.11
H	0.160	0.180	4.06	4.57

SMB (REV: R1)