

**CMSH1-20M
CMSH1-40M
CMSH1-60M
CMSH1-100M**

**SCHOTTKY BARRIER RECTIFIER
1.0 AMP, 20 THRU 100 VOLTS**

SUPERmini™



SMA CASE

**Central™
Semiconductor Corp.**

FEATURES:

- SUPER MINIATURE CASE
- SUPERIOR LOT TO LOT CONSISTENCY
- LOW COST
- "C" BEND CONSTRUCTION PROVIDES STRAIN RELIEF WHEN MOUNTED ON PC BOARD
- HIGH RELIABILITY
- SPECIAL SELECTIONS AVAILABLE

DESCRIPTION:

The CENTRAL SEMICONDUCTOR 1.0 Amp Surface Mount Silicon Schottky Rectifier is a high quality, well constructed, highly reliable component designed for use in all types of commercial, industrial, entertainment, computer, and automotive applications where small size is required. The SMA case occupies 30% less board space than the SMB case. To order devices on 12mm Tape and Reel (5000/13" Reel), add TR13 to suffix of part number.

MARKING CODES: SEE MARKING CODE TABLE ON FOLLOWING PAGE

MAXIMUM RATINGS: (T_A=25°C unless otherwise noted)

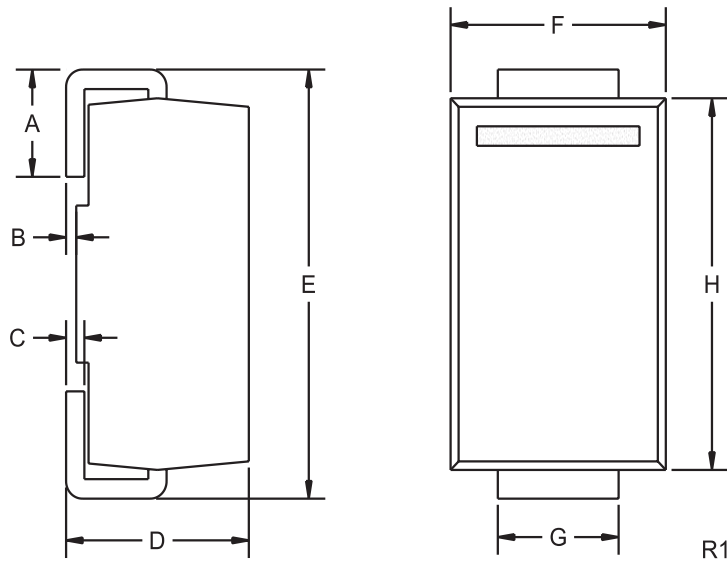
	SYMBOL	CMSH1 -20M	CMSH1 -40M	CMSH1 -60M	CMSH1 -100M	UNITS
Peak Repetitive Reverse Voltage	V _{RRM}	20	40	60	100	V
DC Blocking Voltage	V _R	20	40	60	100	V
RMS Reverse Voltage	V _{R(RMS)}	14	28	42	70	V
Average Forward Current(T _L =75°C)	I _O	1.0	1.0			A
Average Forward Current(T _L =100°C)	I _O			1.0	1.0	A
Peak Forward Surge Current (8.3ms)	I _{FSM}	30	30	30	30	A
Operating and Storage						
Junction Temperature	T _J , T _{stg}		-65 to +150			°C
Thermal Resistance	θ _{JL}	30	30	30	30	°C/W

ELECTRICAL CHARACTERISTICS: (T_A=25°C unless otherwise noted)

SYMBOL	TEST CONDITIONS	MIN	TYP	MAX	UNITS
I _R	V _R =Rated V _{RRM}			0.50	mA
I _R	V _R =Rated V _{RRM} ; T _A =100°C			10	mA
V _F	I _F =1.0A (CMSH1-20M AND CMSH1-40M)			0.50	V
V _F	I _F =1.0A (CMSH1-60M)			0.70	V
V _F	I _F =1.0A (CMSH1-100M)			0.85	V
C _J	V _R =4.0V, f=1.0MHz, (CMSH1-20M AND CMSH1-40M)		100		pF
C _J	V _R =4.0V, f=1.0MHz, (CMSH1-60M)		80		pF
C _J	V _R =4.0V, f=1.0MHz, (CMSH1-100M)		50		pF

SCHOTTKY BARRIER RECTIFIER
1.0 AMP, 20 THRU 100 VOLTS

SMA CASE - MECHANICAL OUTLINE



DEVICE	MARKING CODE
CMSH1-20M	CS20M
CMSH1-40M	CS40M
CMSH1-60M	CS60M
CMSH1-100M	CS100M

SYMBOL	DIMENSIONS		DIMENSIONS	
	INCHES		MILLIMETERS	
	MIN	MAX	MIN	MAX
A	0.030	0.060	0.76	1.52
B	0.004	0.008	0.10	0.20
C	0.006	0.012	0.15	0.30
D	0.078	0.103	1.98	2.62
E	0.188	0.220	4.78	5.59
F	0.090	0.115	2.29	2.92
G	0.050	0.070	1.27	1.78
H	0.157	0.181	3.99	4.60

SMA (REV: R1)