

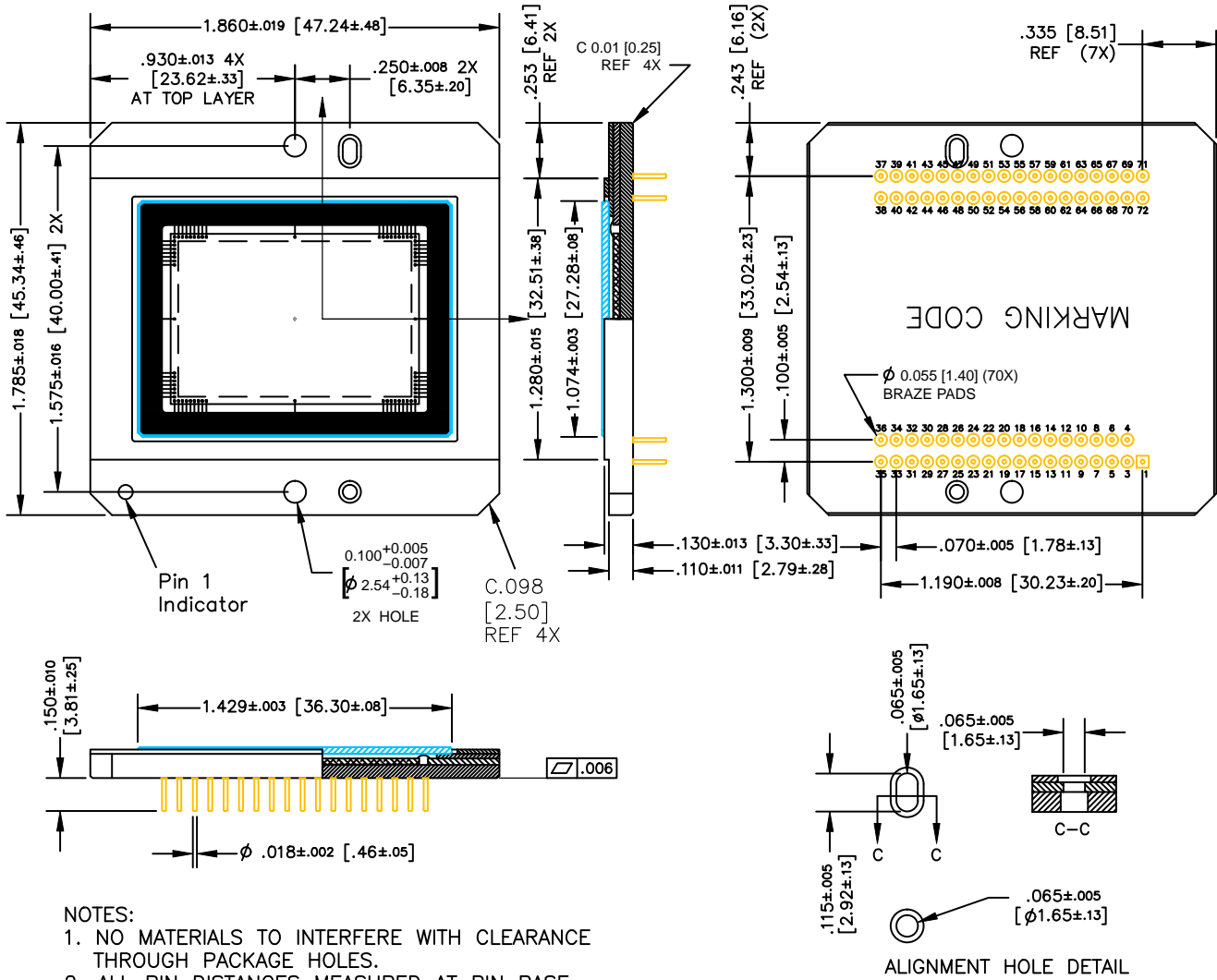
MECHANICAL CASE OUTLINE PACKAGE DIMENSIONS

ON Semiconductor®



CPGA71, 47.24x45.34 CASE 107ER ISSUE O

DATE 30 JUL 2014



- NOTES:
1. NO MATERIALS TO INTERFERE WITH CLEARANCE THROUGH PACKAGE HOLES.
 2. ALL PIN DISTANCES MEASURED AT PIN BASE.

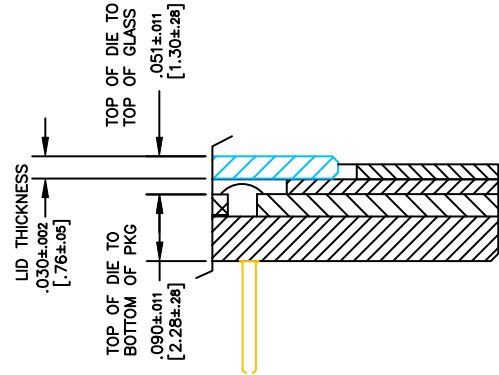
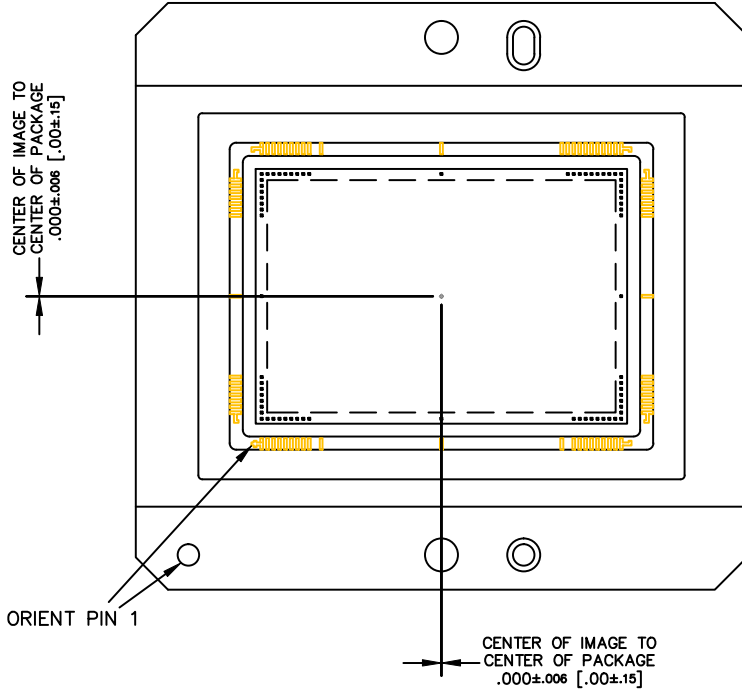
Dimensions in: Inches [mm]

DOCUMENT NUMBER:	98AON88266F	Electronic versions are uncontrolled except when accessed directly from the Document Repository. Printed versions are uncontrolled except when stamped "CONTROLLED COPY" in red.
STATUS:	ON SEMICONDUCTOR STANDARD	
REFERENCE:		
DESCRIPTION:	CPGA71, 47.24x45.34	PAGE 1 OF 3

CPGA71, 47.24x45.34
CASE 107ER
ISSUE O

DATE 30 JUL 2014

SHOWN WITHOUT COVER GLASS OR WIRES



Dimensions in: Inches [mm]

DOCUMENT NUMBER:	98AON88266F	Electronic versions are uncontrolled except when accessed directly from the Document Repository. Printed versions are uncontrolled except when stamped "CONTROLLED COPY" in red.
STATUS:	ON SEMICONDUCTOR STANDARD	
REFERENCE:		
DESCRIPTION:	CPGA71, 47.24x45.34	PAGE 2 OF 3

