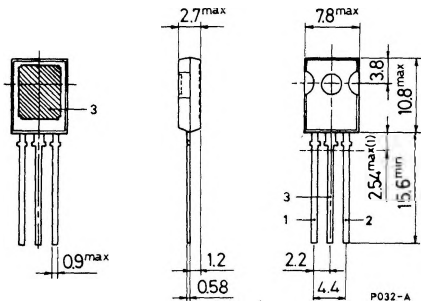


SOT-82



(1) Within this region the cross-section of the leads is uncontrolled